

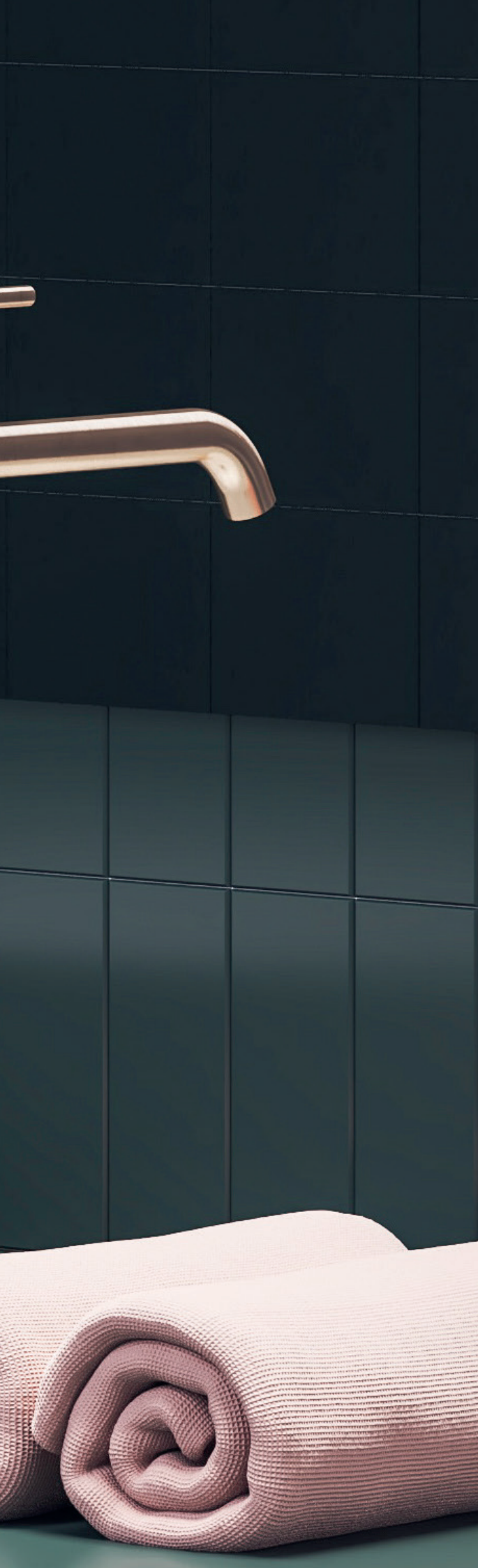
**ravak®**

# Profi 2025/2026

COMPLETE RAVAK PRODUCT INFORMATION







# Content

<b>RAVAK design</b>	<b>4</b>
<b>Concepts</b>	<b>6</b>
<b>Shower enclosures and doors</b>	<b>18</b>
> Walk-In	20
> Walk-In Air	30
> Cool!	38
> Brilliant	50
> SmartLine	62
> Matrix	76
> Chrome	88
> Nexty	114
> Pivot	130
> Blix Slim	146
> Blix II	164
> Blix	188
> Supernova	220
> Atypical products	249
> Spare parts	252
<b>Seats</b>	<b>258</b>
<b>Shower trays, shower channels and point drain</b>	<b>266</b>
<b>Bathtubs</b>	<b>302</b>
<b>Bath screens and doors</b>	<b>364</b>
<b>Washbasins</b>	<b>388</b>
<b>Bathroom furniture</b>	<b>458</b>
<b>Toilets and bidets</b>	<b>510</b>
<b>Safe set</b>	<b>536</b>
<b>Taps</b>	<b>538</b>
<b>Shower accessories</b>	<b>650</b>
<b>Bathroom accessories</b>	<b>672</b>
<b>Ravak detergents</b>	<b>693</b>

# Design RAVAK

SIMPLE, ORIGINAL SOLUTIONS, CLEAR IDEA FOR EACH CONCEPT,  
UTILITY FIRST.



## Vrtiška & Žák

Founders of Prague studio Vrtiška & Žák, with more than a decade-long tradition. They were brought together by their diligence, passion for overcoming challenges, and ability to see potential where others cannot. Their work covers a range of fields, from designing products to interior design and architecture, from handiwork to industrial-scale production. Creativity and unconventional thinking are the core values of their work.



## Kryštof Nosál

Czech product designer and author of many RAVAK bathroom products. Proponent of uncomplicated, clean solutions. Recipient of Red Dot, iF Design Award, EDIDA, Good Design and many other awards for his RAVAK products.



## Achim Storz

Austrian product designer, author of RAVAK bathtubs as well as car interiors for brands such as Porsche, BMW, Audi and more.

RAVAK DESIGN HAS REPEATEDLY MET WITH SUCCESS IN INTERNATIONAL COMPETITIONS.



# RAVAK concepts

## A perfectly matching whole for any bathroom or toilet

Regardless of whether you prefer bathing or showering, or are looking for toilet equipment, RAVAK concepts have all you need. We offer bathtubs, shower enclosures, shower trays, washbasins, furniture, taps, toilets and accessories in matching designs, with a clear, logical vision, which has been developed based on years of professional experience. Their original design will never cease to bring joy and delight into your bathroom.

RAVAK concepts are a great fit for bathrooms of all sizes, from the smallest to the largest.

Only RAVAK offers the broadest, matching bathroom set on the market – the universal Chrome concept, which includes over 200 items for bathrooms and toilets.





- 1 Bathtubs and bath screens - suitable for both bathing and showering
- 2 Shower enclosures and doors - precision manufacturing with the use of the highest quality components
- 3 Washbasins (countertop or vanity-mounted; cast marble or ceramic) with matching bathroom furniture
- 4 Toilets and bidets - for perfectly matching your bathroom to the toilet
- 5 Taps and bathroom accessories - made from top-quality materials you can rely on

# Chrome Concept - the widest concept on the Czech market



Design Kryštof Nosál

**Matching to the last detail. Furnishings for the entire bathroom and toilet.  
Bathtubs now also available in a version with a rim height of only 18 mm.**



Chrome and Chrome Slim  
rectangular or corner bathtub  
See p. 334



Bath screen  
See p. 370



Shower enclosures in  
various designs  
See p. 88



Shower trays or shower  
channels  
See p. 276



Seats  
See p. 250



Washbasins, double washbasin,  
small washbasin and bathroom  
furniture  
See p. 484



Toilet and  
bidet  
See p. 520



Taps and  
accessories  
See p. 596



Bathroom  
accessories  
See p. 680

# There is beauty in simplicity - Classic II Concept



Design Kryštof Nosál

**Richly furnished concept for the entire bathroom or toilet.  
Timeless design that never bores.**



Bathtubs with a wide, flat bottom  
See p. 336



Washbasins, double washbasin and  
small washbasin in different sizes  
See p. 438



Bathroom furniture in four decors with high-  
quality impregnation and fittings  
See p. 500



Classic toilet  
See p. 524



Taps  
See p. 612

## Shower enclosures

### Why RAVAK?

We adhere to the fundamental principles of a responsible manufacturer. This means we ensure top-quality standards, employ advanced technologies, rely on the proven craftsmanship of experienced workshop masters, and, not least, invest in our own design.

### RAVAK design

The appearance of our products meets the highest aesthetic standards, but we also ensure that RAVAK design is perfectly functional, making everyday time in the bathroom more enjoyable.





## IN-HOUSE DEVELOPMENT AND INNOVATION

### Lasting customer satisfaction

We build on 30 years of experience and continuous innovation in shower enclosures.



## PROOF OF QUALITY

### A brand you can trust

All RAVAK shower enclosures come with an extended warranty.



## BROAD PORTFOLIO

### There's something for everyone

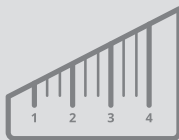
We offer 11 product ranges and over 500 types of shower enclosures.



## MADE IN EUROPE

### Production process under control

We produce in Europe, in our own factory, to ensure full control over the quality of materials and the precision of our craftsmanship.



## ATYPICAL SOLUTIONS

### Nothing is impossible

We have a solution for almost any bathroom.



## GLASS PROTECTION

### Glass protection

The glass is protected by RAVAK AntiCalc® surface treatment technology.

# Parameters for choosing shower enclosures and doors

## FINISH



white / matt white

Blix, Blix II, Chrome, Cool!, Matrix, Nexty, Pivot, Supernova, Walk-In



bright alu

Blix, Blix II, Blix Slim, Chrome, Cool!, Matrix, Nexty, SmartLine, Pivot, Walk-In, Walk-In Air



satin

Blix, Chrome, Matrix, Nexty, Pivot, Supernova



black / matt black

Blix II, Blix Slim, Chrome Cool!, Nexty, Pivot, Supernova, Walk-In, Walk-In Air

## STANDARD PANELS

### Safety glass

#### transparent



For all shower enclosure ranges

#### grape



For the Blix and Supernova series, for other series within atypical solutions

### Plastic panels

#### pearl



Supernova

#### rain



Supernova - for bath screens only

## ATYPICAL PANELS – on demand

### Safety glass with print or tint

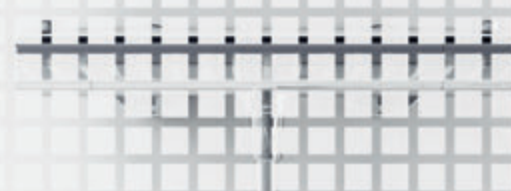
#### strip



#### matelux



#### matrix



#### grafit



You can find and order our range of glass panels for atypical solutions at <https://atypical.ravak.com>

More about atypical products on p. 248.

All glass panels are treated with a protective layer of RAVAK AntiCalc®. Find more on p. 15.

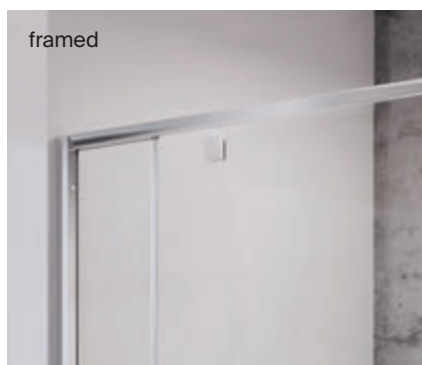
The same finishes and panels are also available for bath screens. See p. 364.

## DESIGN



frameless

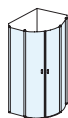
Brilliant, Walk-In, Walk-In Air, Cool!, SmartLine, Chrome



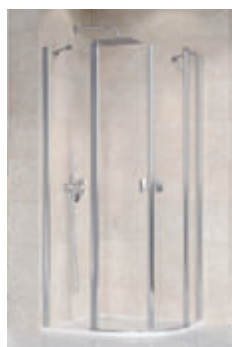
framed

Matrix, Nexty, Pivot, Blix Slim, Blix II, Blix, Supernova

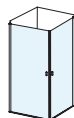
## SHAPE



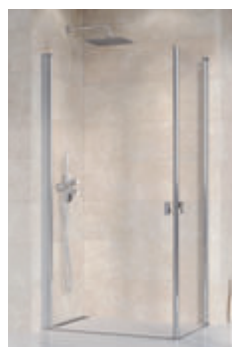
quadrant



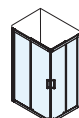
SmartLine, Chrome, Nexty, Pivot, Blix Slim, Blix II, Blix, Supernova



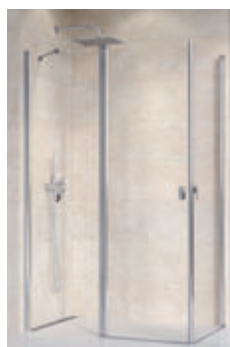
square



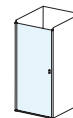
Brilliant, Cool!, SmartLine, Matrix, Chrome, Nexty, Pivot, Blix Slim, Blix II, Blix, Supernova



rectangle



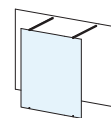
Brilliant, Cool!, SmartLine, Matrix, Chrome, Nexty, Pivot, Blix Slim, Blix, Blix II, Supernova



doors



Brilliant, Cool!, SmartLine, Matrix, Chrome, Nexty, Pivot, Blix Slim, Blix II, Blix, Supernova



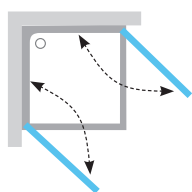
Walk-In



Walk-In, Walk-In Air

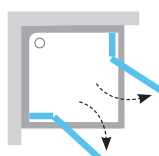
## TYPE OF THE OPENING SYSTEM

With a rotary column  
- in and out



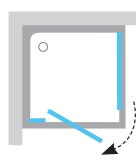
Chrome

Hinged - out



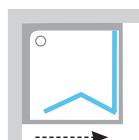
Cool!, Brilliant, SmartLine

Swinging pivot - out



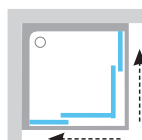
Nexty, Pivot

Folding - Sliding



Blix

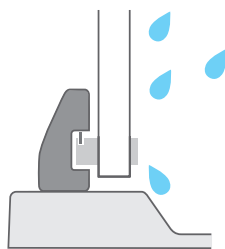
Sliding



Matrix, Blix Slim, Blix II, Blix, Supernova

## WATERTIGHTNESS

Framed shower enclosures provide optimal protection against water splashing into the bathroom. The higher the bottom horizontal profile, the greater the protection. This ensures that the enclosure or door keeps water inside, even during an intense shower.



Frame at the bottom of the shower enclosure: Nexty, Pivot, Blix Slim, Blix, Blix II, Supernova



Threshold strip at the bottom of the shower enclosure: Cool!, Brilliant, SmartLine, Matrix, Chrome

## WALL AND EXTENSION PROFILES FOR COOL!, NEXTY, PIVOT, BLIX, SUPERNOVA

### Extension profiles

Allow adjusting (expanding) a shower enclosure or door (or bath screen) by exactly 2 cm on each side.

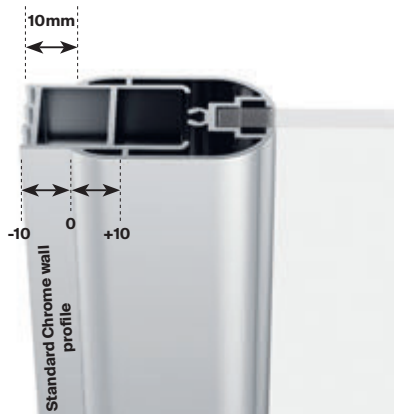
**Extension profiles are available for the following shower enclosure and door ranges: Cool!, Nexty, Pivot, Blix and Supernova.**

### Wall profiles

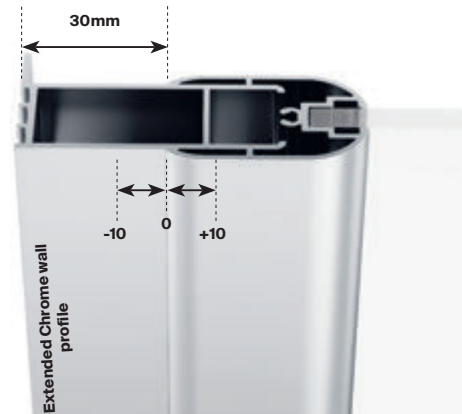
Used to fix the shower enclosure or door to the wall. **Included with every product that requires it.**



## Chrome wall profiles



A standard wall profile is included with every Chrome product and allows the product to be adjusted (expanded or narrowed) by 10 mm.



CNPS / CNPS for CPS - If you need to expand the product beyond this, a new extended wall profile must be purchased. It is 20 mm wider and allows an additional 20 mm extension of the product, while still retaining the  $\pm 10$  mm adjustability.

# RAVAK AntiCalc® technology

## THE BEST SERVICE COMES DIRECTLY FROM THE MANUFACTURER

### An invisible shield against dirt and deposits on the glass

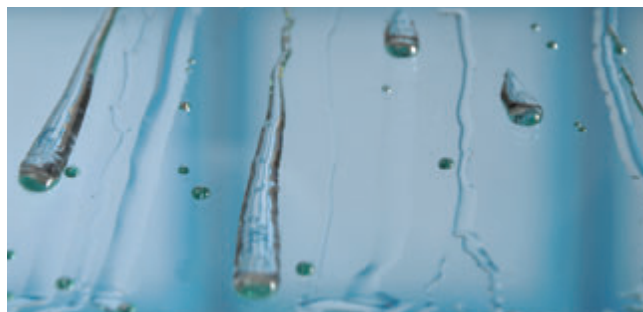
All water except for rainwater and distilled water contains a certain amount of salts. Their deposits, known as limescale, are extremely difficult to remove. They form a chemical bond with the glass and give it an unsightly tint over time. Common chemical cleaning products are entirely ineffective against the limescale.

Only the patented RAVAK AntiCalc® technology can reliably protect glass from these permanent stains. All RAVAK shower enclosures and screen glass panes are treated with RAVAK AntiCalc® during production.



### RAVAK AntiCalc Conditioner

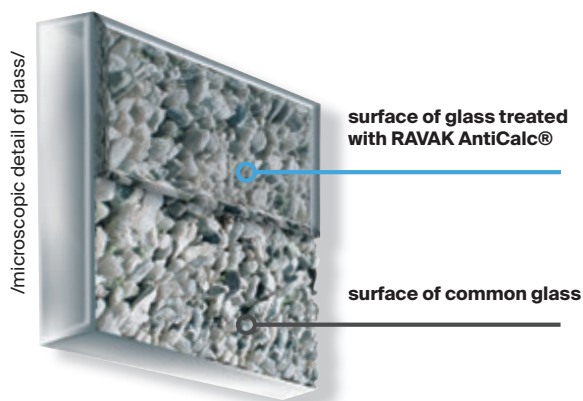
It is recommended to renew the water-repellent effects of our technology every 3 months (depending on water hardness) by applying RAVAK AntiCalc Conditioner.



Glass treated with RAVAK AntiCalc® – water is repelled and runs down the glass.



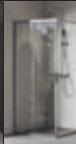










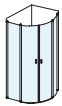
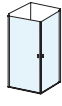

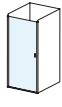
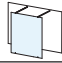
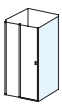



Effects of water on glass without the use of RAVAK AntiCalc®.





# Availability of shower enclosures

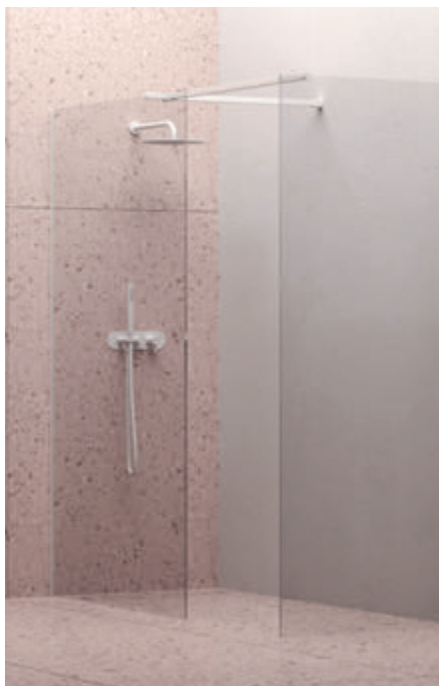
Shape	Type of the opening system	Range																
																		
		satin white bright alu black	bright alu satin white black	bright alu matt white black	bright alu black white	bright alu satin white white black	bright alu satin matt white black	bright alu satin matt white black	bright alu satin white	bright alu	bright alu	bright alu matt white black	bright alu black	bright alu matt white black				
quadrant		Sliding	•	•	•	•												
	Opening					•	•			•								
square		Sliding	•	•	•	•				•								
	Opening					•	•	•*		•	•	•						
rectangle		Sliding	•	•	•	•				•								
	Opening					•	•	•*		•	•	•						
doors		Sliding	•	•	•	•				•								
	Opening					•	•	•*		•	•	•						
	Folding	•**																
Walk-In		Walk-In											•				•	
Fixed panel		To the niche door	•	•	•	•	•	•	•	•		•						
	Separate partition wall	•***					•	•		•		•						
Bath screens		Fixed					•	•				•						
	Hinge	•							•			•						
	Folding	•																
	For asymmetrical bathtubs	•							•									

\* With a rotating column that opens inwards and outwards  
 \*\* SDZ2 and SDZ3 as custom-made items – for more information, contact atypy@ravak.com or visit <https://atypy.ravak.cz/>  
 \*\*\* DSS as a custom-made item – for more information, contact atypy@ravak.com or visit <https://atypy.ravak.cz/>

# Overview of product ranges

We offer more than 500 types of shower enclosures in thirteen product ranges.

**Walk-In** > 20



**Cool!** > 38



**Brilliant** > 50



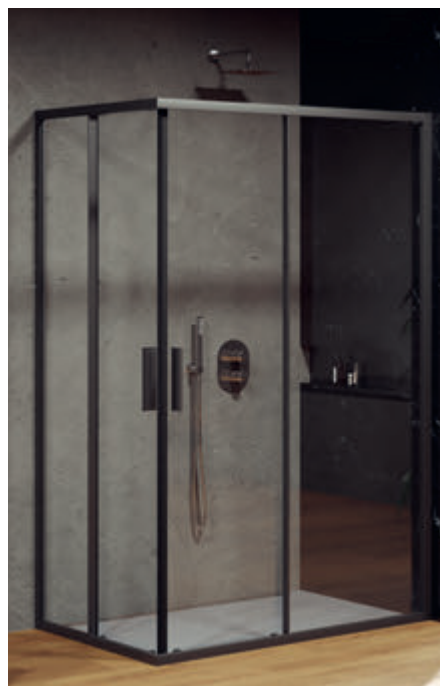
**Nexty** > 114



**Pivot** > 130



**Blix Slim** > 146



5

5-YEAR WARRANTY  
ON ALL SHOWER  
ENCLOSURES AND  
DOORS

ravak®

## SmartLine > 62



## Matrix > 76



## Chrome > 88



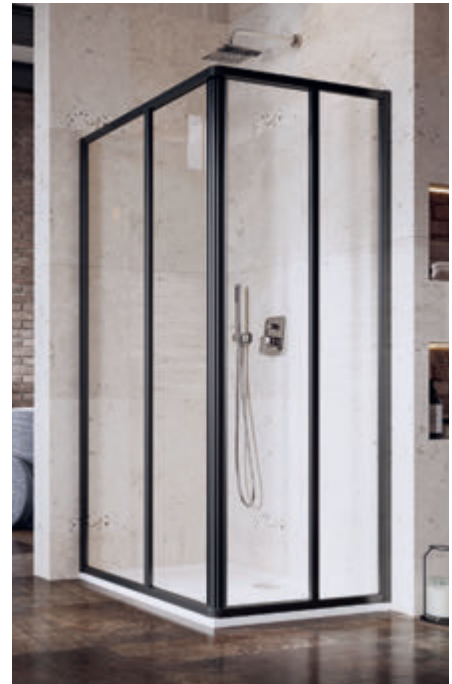
## Blix II > 164



## Blix > 188



## Supernova > 220



# Walk-In



5

5-YEAR WARRANTY ON ALL SHOWER ENCLOSURES AND DOORS

8 mm

GLASS THICKNESS



GLASS PROTECTION  
The glass is protected by RAVAK AntiCalc® surface treatment technology.



EASY MAINTENANCE  
No profiles or inaccessible places



**Modern solution**

It reflects the current trend of transparent glass and airy bathrooms



**Subtle metal fittings**

They don't disrupt the design and securely hold the glass in place



**Universal screen supports**

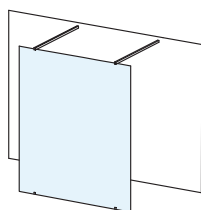
Can be shortened to the desired length

**Easy maintenance**

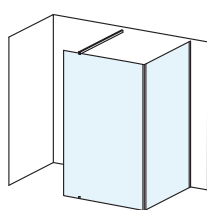
Thanks to a protective RAVAK AntiCalc® layer, the glass stays clean for longer (no limescale sediments)

**Broad range of designs**

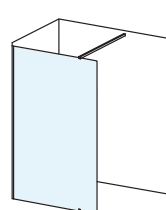
Offers a range of structural designs (Free, Corner, Wall, Double Wall, ...)  
Option to choose from standard or atypical sizes (up to 160 cm wide and 250 cm high)  
Option to choose the entrance width



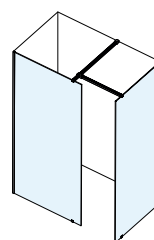
Walk-In Free > 22



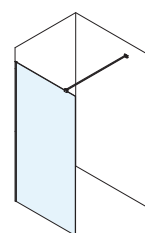
Walk-In Corner > 24



Walk-In Wall > 26



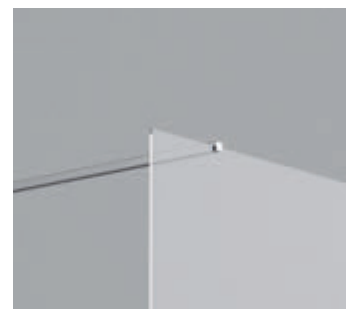
Walk-In Double Wall > 28



Walk-In Air Wall > 30

# Walk-In Free

One fixed panel with entry from both sides



Elegant metal screen support bar that does not disturb the clean look of the enclosure



The minimalist chrome-plated clamp matches the upper screen support bar

## Spacious and airy

An icon of stylish bathrooms. The use of only a single fixed panel allows entry into the showering area from both sides. Ideal for showering for two.

### Don't miss it

- 1.** Recommended drains and shower channels: Runway stainless steel shower channel. Zebra plastic shower channel with stainless steel grid. SN501 plastic point drain with stainless steel grid.
- 2.** The universal screen support bars are 120 cm long. They can be cut to size to create the exact width of the entry you need.
- 3.** The package includes the glass, two metal screen support bars, two "U" clamps, and a mounting kit.
- 4.** 8 mm safety glass with patented RAVAK AntiCalc® treatment.

Shower channels → 298

Seats → 258

Taps → 538

Accessories → 650

Cleaning products → 693



# Walk-In Free

**Finish**  
 BRIGHT ALU    BLACK    MATT WHITE

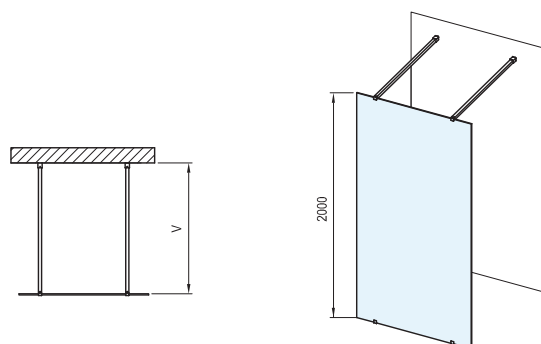
**Standard panel material**  
 TRANSPARENT

**Non-standard panel material**  
 GRAPHITE    MATELUX    MATRIX    TRANSPARENT

**Height**  
 2000 mm

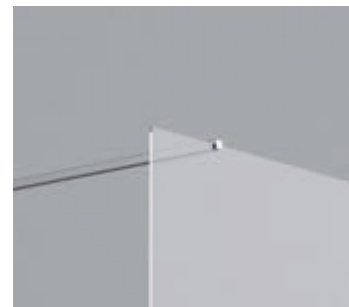
Order No.	Type	Frame	Panel	Product dimensions (mm)	„V“ entrance (mm)	Size of packaging (cm)	Gross weight (kg)
<b>GW9FG030SZ1</b>	Walk-In Free set 120	black	transparent	1200		125x7x205	57,2
<b>GW9FG0C0SZ1</b>	Walk-In Free set 120	bright alu	transparent	1200		125x7x205	57,2
<b>GW9FG0E0SZ1</b>	Walk-In Free set 120	matt white	transparent	1200		125x7x205	57,2
<b>GW9FJ030SZ1</b>	Walk-In Free set 130	black	transparent	1300		135x7x205	61,9
<b>GW9FJ0C0SZ1</b>	Walk-In Free set 130	bright alu	transparent	1300		135x7x205	61,9
<b>GW9FJ0E0SZ1</b>	Walk-In Free set 130	matt white	transparent	1300		135x7x205	61,9
<b>GW9FM030SZ1</b>	Walk-In Free set 140	black	transparent	1400		145x7x205	66,2
<b>GW9FM0C0SZ1</b>	Walk-In Free set 140	bright alu	transparent	1400		145x7x205	66,2
<b>GW9FM0E0SZ1</b>	Walk-In Free set 140	matt white	transparent	1400		145x7x205	66,2
<b>GW9FP030SZ1</b>	Walk-In Free set 150	black	transparent	1500		155x7x205	70,1
<b>GW9FP0C0SZ1</b>	Walk-In Free set 150	bright alu	transparent	1500		155x7x205	70,1
<b>GW9FP0E0SZ1</b>	Walk-In Free set 150	matt white	transparent	1500		155x7x205	70,1
<b>GW9FS030SZ1</b>	Walk-In Free set 160	black	transparent	1600		165x7x205	74,1
<b>GW9FS0C0SZ1</b>	Walk-In Free set 160	bright alu	transparent	1600		165x7x205	74,1
<b>GW9FS0E0SZ1</b>	Walk-In Free set 160	matt white	transparent	1600		165x7x205	74,1

Products are delivered within 14 days as standard.



# Walk-In Corner

Two fixed panels with entry from one side



Elegant metal screen support bar that does not disturb the clean look of the enclosure



The minimalist chrome-plated clamp matches the upper screen support bar

## Closed on one side

An elegant shower solution that is practical thanks to being closed on one side.

### Don't miss it

- 1.** Recommended drains and shower channels: Runway stainless steel shower channel. Zebra plastic shower channel with stainless steel grid. SN501 plastic point drain with stainless steel grid.
- 2.** The package includes the glass, metal screen support bar, "U" clamp, wall profiles, glass seal, and a mounting kit.
- 3.** The screen support bar allows the product to be shortened as required, up to a maximum length of 120 cm.
- 4.** 8 mm safety glass with patented RAVAK AntiCalc® treatment.

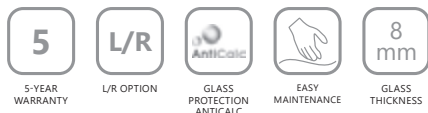
Shower channels → 298

Seats → 258

Taps → 538

Accessories → 650

Cleaning products → 693



# Walk-In Corner

## Finish



## Standard panel material



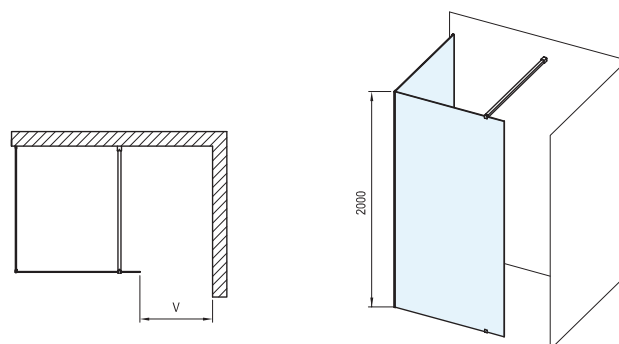
## Non-standard panel material



Height  
2000 mm

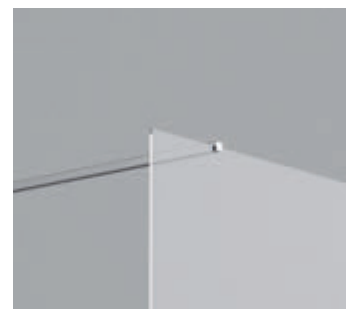
Order No.	Type	Frame	Panel	Product dimensions (mm)	„V“ entrance (mm)	Size of packaging (cm)	Gross weight (kg)
<b>GW1CD430SZ1</b>	Walk-In Corner set 110x80	black	transparent	1100x800		115x8x205	86,3
<b>GW1CD4C0SZ1</b>	Walk-In Corner set 110x80	bright alu	transparent	1100x800		115x8x205	86,3
<b>GW1CD4E0SZ1</b>	Walk-In Corner set 110x80	matt white	transparent	1100x800		115x8x205	86,3
<b>GW1CG430SZ1</b>	Walk-In Corner set 120x80	black	transparent	1200x800		125x8x205	90,6
<b>GW1CG4C0SZ1</b>	Walk-In Corner set 120x80	bright alu	transparent	1200x800		125x8x205	90,6
<b>GW1CG4E0SZ1</b>	Walk-In Corner set 120x80	matt white	transparent	1200x800		125x8x205	90,6
<b>GW1CG730SZ1</b>	Walk-In Corner set 120x90	black	transparent	1200x900		125x8x205	94,8
<b>GW1CG7C0SZ1</b>	Walk-In Corner set 120x90	bright alu	transparent	1200x900		125x8x205	94,8
<b>GW1CG7E0SZ1</b>	Walk-In Corner set 120x90	matt white	transparent	1200x900		125x8x205	94,8

Products are delivered within 14 days as standard.



# Walk-In Wall

One fixed panel with entry from one side



Elegant metal screen support bar that does not disturb the clean look of the enclosure



The minimalist chrome-plated clamp matches the upper screen support bar

## Corner solution

A modern solution for a corner showering space.

### Don't miss it

- 1.** Recommended drains and shower channels: Runway stainless steel shower channel. Zebra plastic shower channel with stainless steel grid. SN501 plastic point drain with stainless steel grid.
- 2.** The package includes the glass, metal screen support bar, "U" clamp, wall profiles, glass seal, and a mounting kit.
- 3.** The screen support bar allows the product to be shortened as required, up to a maximum length of 120 cm.
- 4.** 8 mm safety glass with patented RAVAK AntiCalc® treatment.

Shower channels → 298

Seats → 258

Taps → 538

Accessories → 650

Cleaning products → 693



5-YEAR WARRANTY



L/R OPTION



EASY MAINTENANCE



GLASS THICKNESS

# Walk-In Wall

## Finish



BRIGHT ALU



BLACK



MATT WHITE

## Standard panel material



TRANSPARENT

## Non-standard panel material



GRAPHITE



MATELUX



MATRIX

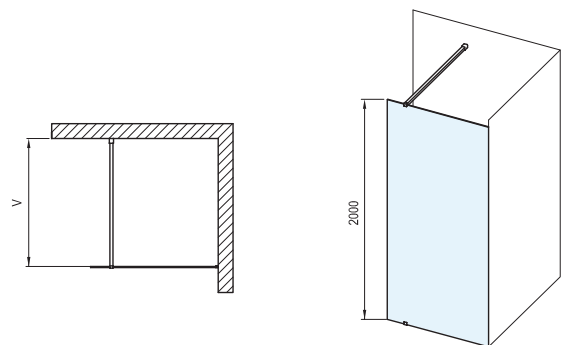


TRANSPARENT

Height  
2000 mm

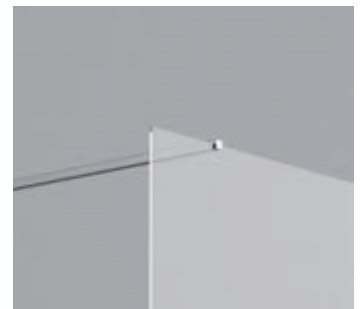
Order No.	Type	Frame	Panel	Product dimensions (mm)	„V“ entrance (mm)	Size of packaging (cm)	Gross weight (kg)
<b>GW9W0030SZ1</b>	Walk-In Wall set 60	black	transparent	600		65x7x205	31,2
<b>GW9W00C0SZ1</b>	Walk-In Wall set 60	bright alu	transparent	600		65x7x205	31,2
<b>GW9W00E0SZ1</b>	Walk-In Wall set 60	matt white	transparent	600		65x7x205	31,2
<b>GW9W1030SZ1</b>	Walk-In Wall set 70	black	transparent	700		75x7x205	35,7
<b>GW9W10C0SZ1</b>	Walk-In Wall set 70	bright alu	transparent	700		75x7x205	35,7
<b>GW9W10E0SZ1</b>	Walk-In Wall set 70	matt white	transparent	700		75x7x205	35,7
<b>GW9W4030SZ1</b>	Walk-In Wall set 80	black	transparent	800		85x7x205	39,8
<b>GW9W40C0SZ1</b>	Walk-In Wall set 80	bright alu	transparent	800		85x7x205	39,8
<b>GW9W40E0SZ1</b>	Walk-In Wall set 80	matt white	transparent	800		85x7x205	39,8
<b>GW9W7030SZ1</b>	Walk-In Wall set 90	black	transparent	900		95x7x205	44,0
<b>GW9W70C0SZ1</b>	Walk-In Wall set 90	bright alu	transparent	900		95x7x205	44,0
<b>GW9W70E0SZ1</b>	Walk-In Wall set 90	matt white	transparent	900		95x7x205	44,0
<b>GW9WA030SZ1</b>	Walk-In Wall set 100	black	transparent	1000		105x7x205	48,3
<b>GW9WA0C0SZ1</b>	Walk-In Wall set 100	bright alu	transparent	1000		105x7x205	48,3
<b>GW9WA0E0SZ1</b>	Walk-In Wall set 100	matt white	transparent	1000		105x7x205	48,3
<b>GW9WD030SZ1</b>	Walk-In Wall set 110	black	transparent	1100		115x7x205	52,5
<b>GW9WD0C0SZ1</b>	Walk-In Wall set 110	bright alu	transparent	1100		115x7x205	52,5
<b>GW9WD0E0SZ1</b>	Walk-In Wall set 110	matt white	transparent	1100		115x7x205	52,5
<b>GW9WG030SZ1</b>	Walk-In Wall set 120	black	transparent	1200		125x7x205	56,8
<b>GW9WG0C0SZ1</b>	Walk-In Wall set 120	bright alu	transparent	1200		125x7x205	56,8
<b>GW9WG0E0SZ1</b>	Walk-In Wall set 120	matt white	transparent	1200		125x7x205	56,8
<b>GW9WJ030SZ1</b>	Walk-In Wall set 130	black	transparent	1300		135x7x205	61,5
<b>GW9WJ0C0SZ1</b>	Walk-In Wall set 130	bright alu	transparent	1300		135x7x205	61,5
<b>GW9WJ0E0SZ1</b>	Walk-In Wall set 130	matt white	transparent	1300		135x7x205	61,5
<b>GW9WM030SZ1</b>	Walk-In Wall set 140	black	transparent	1400		145x7x205	65,4
<b>GW9WM0C0SZ1</b>	Walk-In Wall set 140	bright alu	transparent	1400		145x7x205	65,4
<b>GW9WM0E0SZ1</b>	Walk-In Wall set 140	matt white	transparent	1400		145x7x205	65,4
<b>GW9WP030SZ1</b>	Walk-In Wall set 150	black	transparent	1500		155x7x205	71,9
<b>GW9WP0C0SZ1</b>	Walk-In Wall set 150	bright alu	transparent	1500		155x7x205	71,9
<b>GW9WP0E0SZ1</b>	Walk-In Wall set 150	matt white	transparent	1500		155x7x205	71,9
<b>GW9WS030SZ1</b>	Walk-In Wall set 160	black	transparent	1600		165x7x205	76,0
<b>GW9WS0C0SZ1</b>	Walk-In Wall set 160	bright alu	transparent	1600		165x7x205	76,0
<b>GW9WS0E0SZ1</b>	Walk-In Wall set 160	matt white	transparent	1600		165x7x205	76,0

Products are delivered within 14 days as standard.



# Walk-In Double Wall

Two fixed panels with entrance from one side



Elegant metal screen support bar that does not disturb the clean look of the enclosure



The minimalist chrome-plated clamp matches the upper screen support bar

## Corner solution

A modern solution for a corner showering space.

### Don't miss it

- 1.** Recommended drains and shower channels: Runway stainless steel shower channel. Zebra plastic shower channel with stainless steel grid. SN501 plastic point drain with stainless steel grid.
- 2.** To complete the shower enclosure, it is necessary to order two Walk-In Wall sets in the required dimensions together with one Walk-In T-joint.
- 3.** By shortening the dimensions of the screen support, you determine the width of the shower area and the width of the entrance to the shower enclosure.
- 4.** 8 mm safety glass with patented RAVAK AntiCalc® treatment.

Shower channels → 298

Seats → 258

Taps → 538

Accessories → 650

Cleaning products → 693



# Walk-In Double Wall

## Finish



## Standard panel material



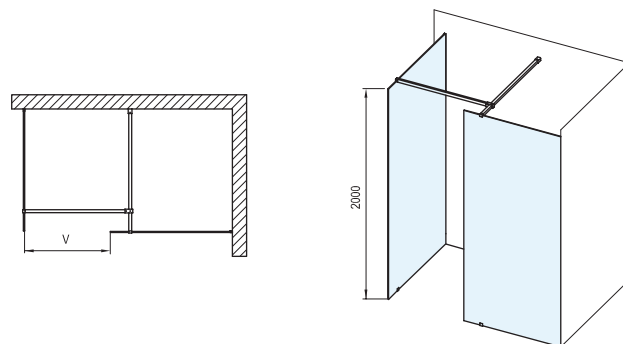
## Non-standard panel material



Height  
2000 mm

Order No.	Type	Frame	Panel	Product dimensions (mm)	„V“ entrance (mm)	Size of packaging (cm)	Gross weight (kg)
<b>GW9W0030SZ1</b>	Walk-In Wall set 60	black	transparent	600		65x7x205	31,2
<b>GW9W00C0SZ1</b>	Walk-In Wall set 60	bright alu	transparent	600		65x7x205	31,2
<b>GW9W00E0SZ1</b>	Walk-In Wall set 60	matt white	transparent	600		65x7x205	31,2
<b>GW9W1030SZ1</b>	Walk-In Wall set 70	black	transparent	700		75x7x205	35,7
<b>GW9W10C0SZ1</b>	Walk-In Wall set 70	bright alu	transparent	700		75x7x205	35,7
<b>GW9W10E0SZ1</b>	Walk-In Wall set 70	matt white	transparent	700		75x7x205	35,7
<b>GW9W4030SZ1</b>	Walk-In Wall set 80	black	transparent	800		85x7x205	39,8
<b>GW9W40C0SZ1</b>	Walk-In Wall set 80	bright alu	transparent	800		85x7x205	39,8
<b>GW9W40E0SZ1</b>	Walk-In Wall set 80	matt white	transparent	800		85x7x205	39,8
<b>GW9W7030SZ1</b>	Walk-In Wall set 90	black	transparent	900		95x7x205	44,0
<b>GW9W70C0SZ1</b>	Walk-In Wall set 90	bright alu	transparent	900		95x7x205	44,0
<b>GW9W70E0SZ1</b>	Walk-In Wall set 90	matt white	transparent	900		95x7x205	44,0
<b>GW9WA030SZ1</b>	Walk-In Wall set 100	black	transparent	1000		105x7x205	48,3
<b>GW9WA0C0SZ1</b>	Walk-In Wall set 100	bright alu	transparent	1000		105x7x205	48,3
<b>GW9WA0E0SZ1</b>	Walk-In Wall set 100	matt white	transparent	1000		105x7x205	48,3
<b>GW9WD030SZ1</b>	Walk-In Wall set 110	black	transparent	1100		115x7x205	52,5
<b>GW9WD0C0SZ1</b>	Walk-In Wall set 110	bright alu	transparent	1100		115x7x205	52,5
<b>GW9WD0E0SZ1</b>	Walk-In Wall set 110	matt white	transparent	1100		115x7x205	52,5
<b>GW9WG030SZ1</b>	Walk-In Wall set 120	black	transparent	1200		125x7x205	56,8
<b>GW9WG0C0SZ1</b>	Walk-In Wall set 120	bright alu	transparent	1200		125x7x205	56,8
<b>GW9WG0E0SZ1</b>	Walk-In Wall set 120	matt white	transparent	1200		125x7x205	56,8
<b>GW9WJ030SZ1</b>	Walk-In Wall set 130	black	transparent	1300		135x7x205	61,5
<b>GW9WJ0C0SZ1</b>	Walk-In Wall set 130	bright alu	transparent	1300		135x7x205	61,5
<b>GW9WJ0E0SZ1</b>	Walk-In Wall set 130	matt white	transparent	1300		135x7x205	61,5
<b>GW9WM030SZ1</b>	Walk-In Wall set 140	black	transparent	1400		145x7x205	65,4
<b>GW9WM0C0SZ1</b>	Walk-In Wall set 140	bright alu	transparent	1400		145x7x205	65,4
<b>GW9WM0E0SZ1</b>	Walk-In Wall set 140	matt white	transparent	1400		145x7x205	65,4
<b>GW9WP030SZ1</b>	Walk-In Wall set 150	black	transparent	1500		155x7x205	71,9
<b>GW9WP0C0SZ1</b>	Walk-In Wall set 150	bright alu	transparent	1500		155x7x205	71,9
<b>GW9WP0E0SZ1</b>	Walk-In Wall set 150	matt white	transparent	1500		155x7x205	71,9
<b>GW9WS030SZ1</b>	Walk-In Wall set 160	black	transparent	1600		165x7x205	76,0
<b>GW9WS0C0SZ1</b>	Walk-In Wall set 160	bright alu	transparent	1600		165x7x205	76,0
<b>GW9WS0E0SZ1</b>	Walk-In Wall set 160	matt white	transparent	1600		165x7x205	76,0
<b>GWD01000C001</b>	Walk-In T joint	bright alu				22x9x4	0,2
<b>GWD010003025</b>	Walk-In T joint	black				22x9x4	0,2
<b>GWD01000E008</b>	Walk-In T joint	matt white				22x9x4	0,2

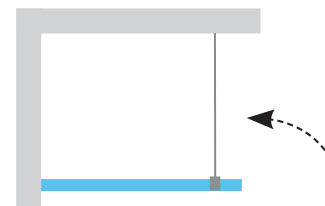
Products are delivered within 14 days as standard.  
For a complete product, you need to order 2x Walk-In Wall sets and 1x Walk-In T-joint.



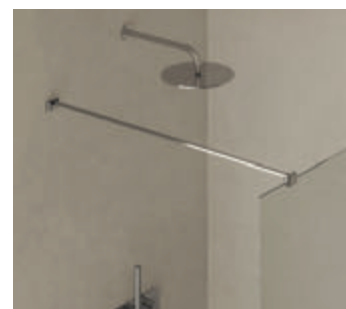
Assemble a product exactly as you need – online, with a visual preview in a bathroom at <https://atypy.ravak.cz>  
Delivery time for atypical products is 6-8 weeks.

# Walk-In Air Wall

One fixed panel with entry from one side



Glass and screen support bar supplied in a single package



Adjustment of the support bar length as required

## There is strength in simplicity

A stylish and practical shower enclosure that stands out with its favourable price. The barrier-free entry provides ample freedom for your everyday showering routine.

### Don't miss it

- 1.** A universal 120 cm screen support bar is included in the package. The bar can be shortened to the required length.
- 2.** You can choose between a glossy chrome finish and a modern black finish.
- 3.** 6 mm safety glass with AntiCalc® treatment.
- 4.** Reversible option - left- and right-hand versions.

Shower channels → 298

Seats → 258

Taps → 538

Accessories → 650

Cleaning products → 693

# Walk-In Air Wall



5-YEAR WARRANTY



L/R OPTION



GLASS PROTECTION ANTICALC



EASY MAINTENANCE



GLASS THICKNESS

## Finish



BRIGHT ALU



BLACK

## Standard panel material



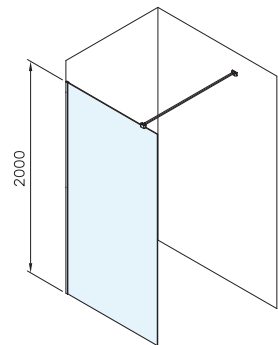
TRANSPARENT

## Non-standard panel material

Height  
2000 mm

Order No.	Type	Frame	Panel	Product dimensions (mm)	„V“ entrance (mm)	Size of packaging (cm)	Gross weight (kg)
<b>GW9W70300Z1C</b>	Walk-In Air Wall 90	black	transparent	900		95x8x205	33,3
<b>GW9W70C00Z1C</b>	Walk-In Air Wall 90	bright alu	transparent	900		95x8x205	33,3
<b>GW9WA0300Z1C</b>	Walk-In Air Wall 100	black	transparent	1000		105x8x205	36,4
<b>GW9WA0C00Z1C</b>	Walk-In Air Wall 100	bright alu	transparent	1000		105x8x205	36,4
<b>GW9WD0300Z1C</b>	Walk-In Air Wall 110	black	transparent	1100		115x8x205	39,5
<b>GW9WD0C00Z1C</b>	Walk-In Air Wall 110	bright alu	transparent	1100		115x8x205	39,5
<b>GW9WG0300Z1C</b>	Walk-In Air Wall 120	black	transparent	1200		125x8x205	42,6
<b>GW9WG0C00Z1C</b>	Walk-In Air Wall 120	bright alu	transparent	1200		125x8x205	42,6

Products are delivered within 14 days as standard.



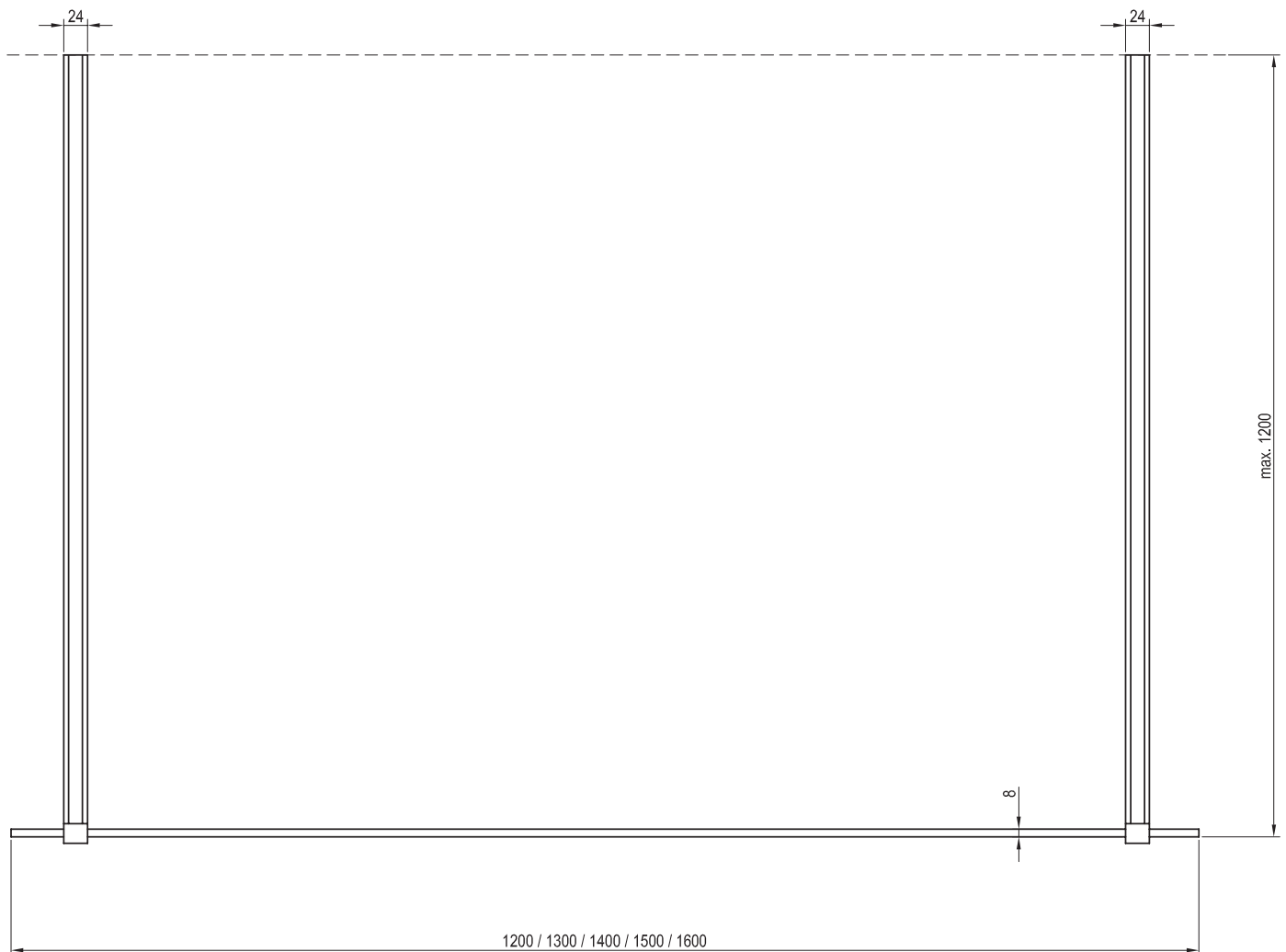
# Walk-In Free

Construction prerequisites

Type	Mounting onto a tray* Recommended shower tray size (mm)	Floor mounting** Recommended size of inclined area (mm)
<b>Walk-In Free - 120</b>		In accordance with technical drawings
<b>Walk-In Free - 130</b>	-	In accordance with technical drawings
<b>Walk-In Free - 140</b>	-	In accordance with technical drawings
<b>Walk-In Free - 150</b>	-	In accordance with technical drawings
<b>Walk-In Free - 160</b>	-	In accordance with technical drawings

\* The values listed in the table assume that the tray is installed in accordance with the RAVAK assembly manual.

\*\* The values in the table apply to the inside edge of the glass.



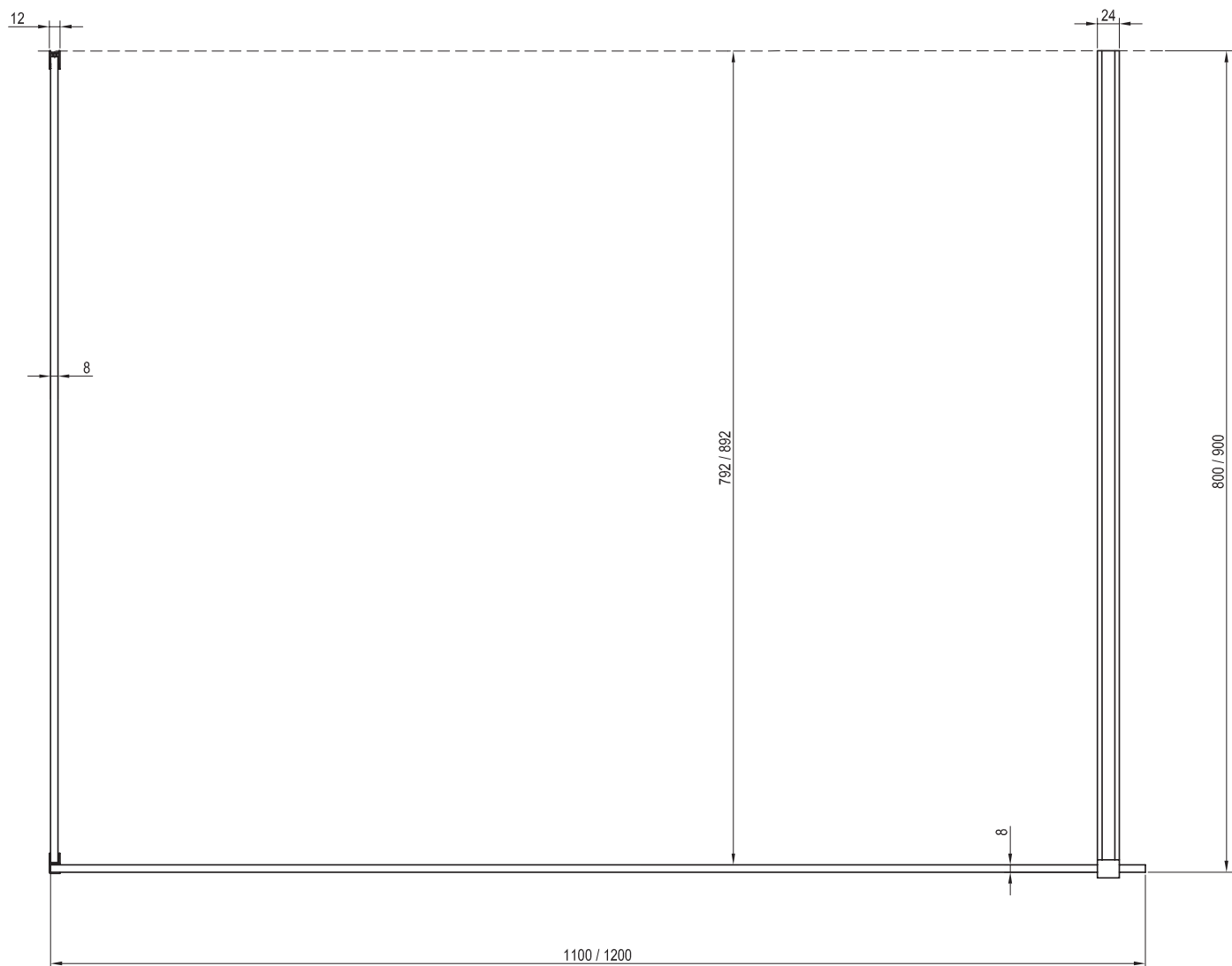
# Walk-In Corner

Construction prerequisites

Type	Mounting onto a tray * Recommended shower tray size (mm)	Floor mounting ** Recommended size of inclined area (mm)
Walk-In Corner - 110/80		1092 x 792
Walk-In Corner - 120/80		1192 x 792
Walk-In Corner - 120/90		1192 x 892

\* The values listed in the table assume that the tray is installed in accordance with the RAVAK assembly manual.

\*\* The values in the table apply to the inside edge of the glass.



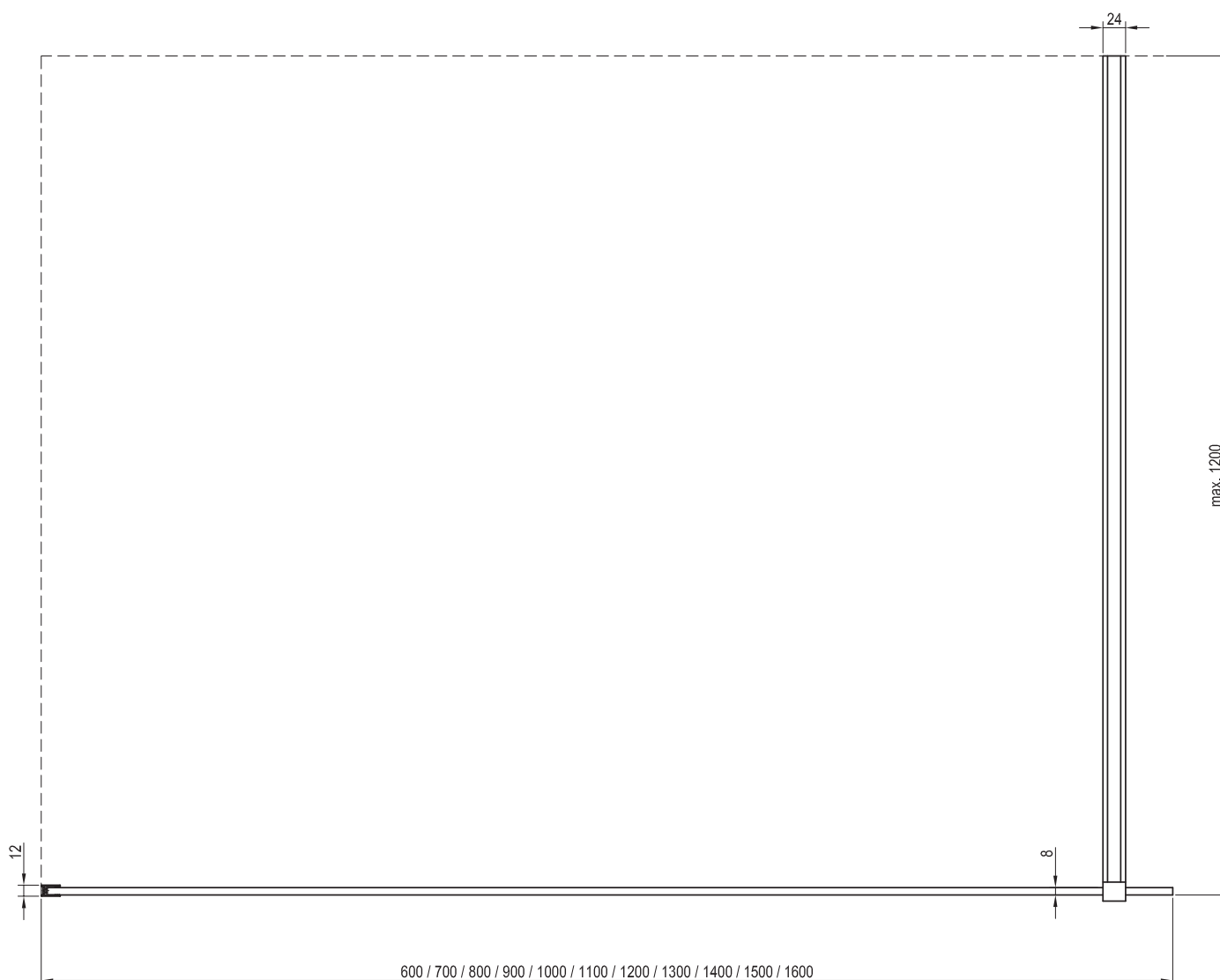
# Walk-In Wall

Construction prerequisites

Type	Mounting onto a tray* Recommended shower tray size (mm)	Floor mounting** Recommended size of inclined area (mm)
Walk-In Wall - 60	-	In accordance with technical drawings
Walk-In Wall - 70	-	In accordance with technical drawings
Walk-In Wall - 80	-	In accordance with technical drawings
Walk-In Wall - 90	-	In accordance with technical drawings
Walk-In Wall - 100	-	In accordance with technical drawings
Walk-In Wall - 110	-	In accordance with technical drawings
Walk-In Wall - 120	-	In accordance with technical drawings
Walk-In Wall - 130	-	In accordance with technical drawings
Walk-In Wall - 140	-	In accordance with technical drawings
Walk-In Wall - 150	-	In accordance with technical drawings
Walk-In Wall - 160	-	In accordance with technical drawings

\* The values listed in the table assume that the tray is installed in accordance with the RAVAK assembly manual.

\*\* The values in the table apply to the inside edge of the glass.

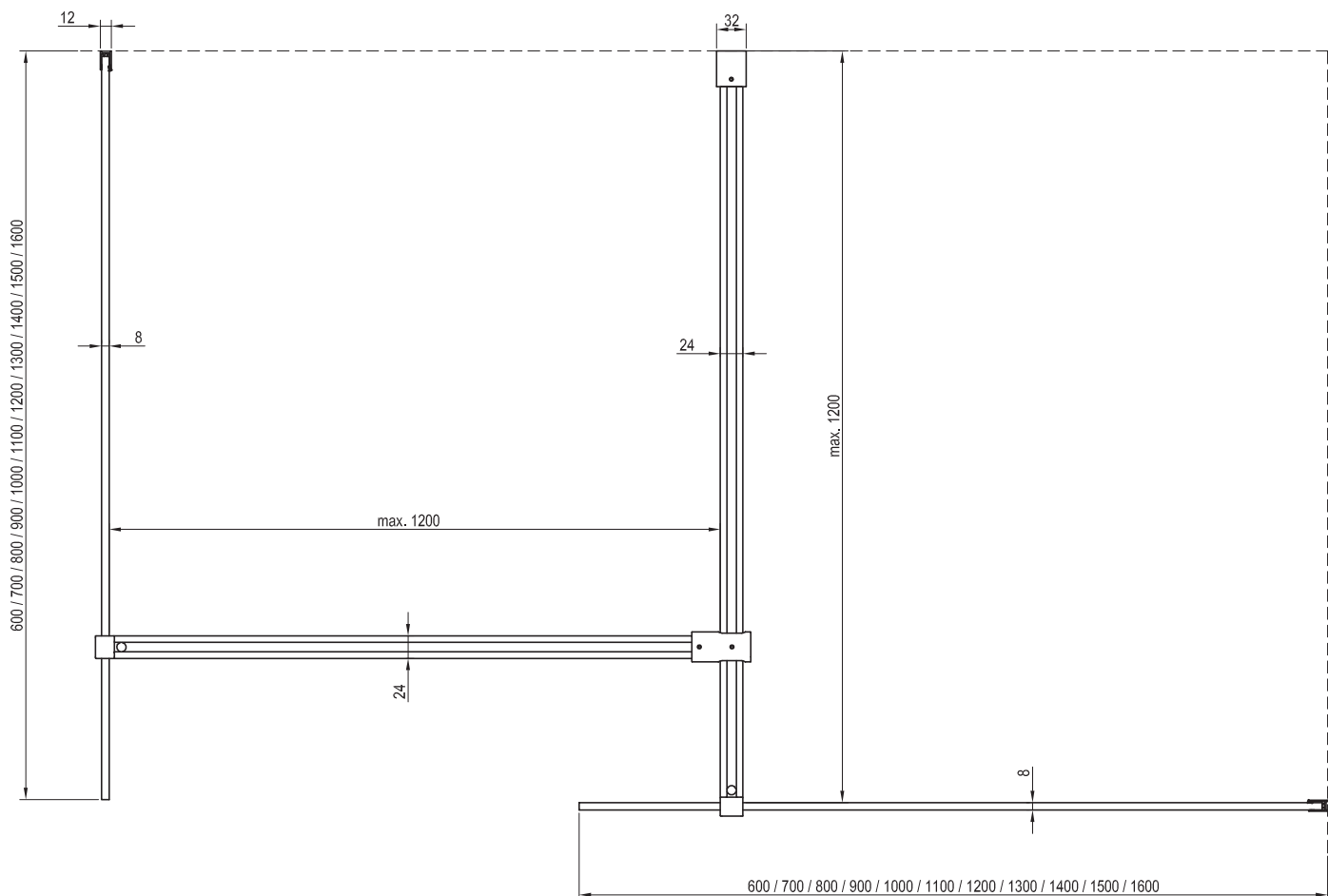


# Walk-In Double Wall Construction prerequisites

Type	Mounting onto a tray* Recommended shower tray size (mm)	Floor mounting** Recommended size of inclined area (mm)
Walk-In Double Wall - 60	-	In accordance with technical drawings
Walk-In Double Wall - 70	-	In accordance with technical drawings
Walk-In Double Wall - 80	-	In accordance with technical drawings
Walk-In Double Wall - 90	-	In accordance with technical drawings
Walk-In Double Wall - 100	-	In accordance with technical drawings
Walk-In Double Wall - 110	-	In accordance with technical drawings
Walk-In Double Wall - 120	-	In accordance with technical drawings
Walk-In Double Wall - 130	-	In accordance with technical drawings
Walk-In Double Wall - 140	-	In accordance with technical drawings
Walk-In Double Wall - 150	-	In accordance with technical drawings
Walk-In Double Wall - 160	-	In accordance with technical drawings

\* The values listed in the table assume that the tray is installed in accordance with the RAVAK assembly manual.

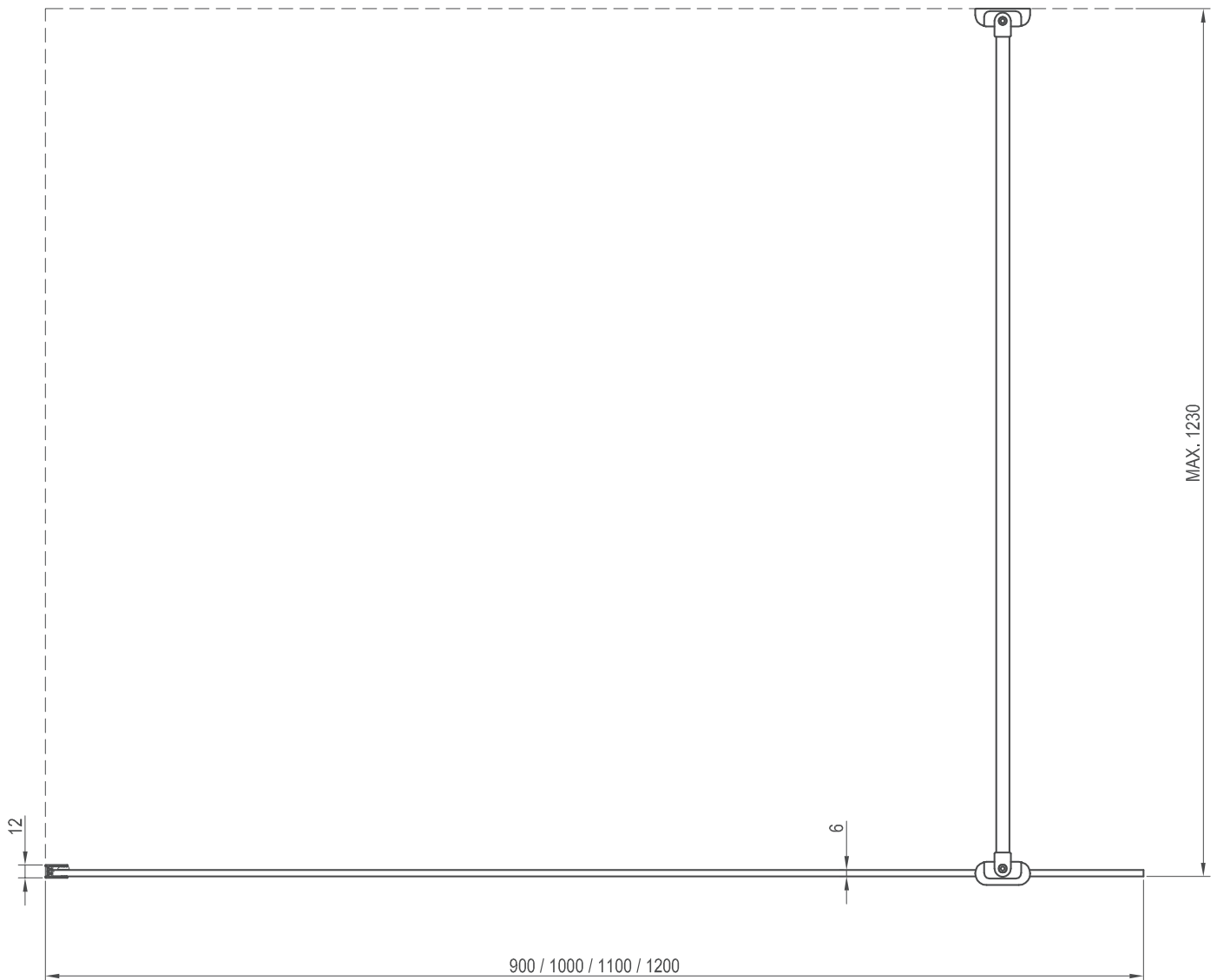
\*\* The values in the table apply to the inside edge of the glass.



# Walk-In Air Wall Construction prerequisites

Type	Mounting onto a tray* Recommended shower tray size (mm)	Floor mounting** Recommended size of inclined area (mm)
Walk-In Air Wall - 90	-	In accordance with technical drawings
Walk-In Air Wall - 100	-	In accordance with technical drawings
Walk-In Air Wall - 110	-	In accordance with technical drawings
Walk-In Air Wall - 120	-	In accordance with technical drawings

\* The values listed in the table assume that the tray is installed in accordance with the RAVAK assembly manual.  
 \*\* The values in the table apply to the inside edge of the glass.





Cool!

**new**



5

5-YEAR WARRANTY ON ALL SHOWER ENCLOSURES AND DOORS



GLASS PROTECTION  
The glass is protected by RAVAK AntiCalc® surface treatment technology.

6 mm

GLASS THICKNESS



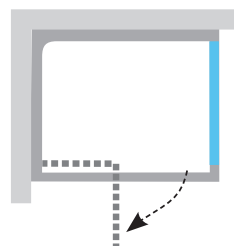
EASY MAINTENANCE  
No profiles or inaccessible places



Modern and elegant design. It fits perfectly into any bathroom



Door opening up to 90° outward



For a comfortable and spacious entry

**Easy cleaning**

Minimal profiles and hard-to-reach spots. Regular maintenance takes less time than you think

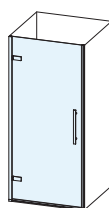
**Low maintenance**

Thanks to the Ravak Anticalc® protective layer, the glass stays clean longer (prevents limescale build-up)

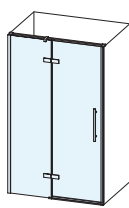
**Low threshold strip**

Only 11 mm in height

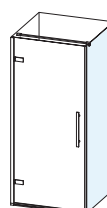
Shower enclosures  
Cool!



COSD1



COSD2



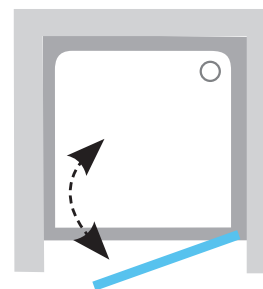
COPS

Shower doors > 40

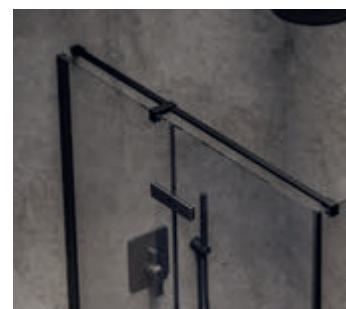
Fixed panel > 44

**RAVAK® COOL!**

## **COSD1** One-piece shower door



The one-piece door provides a comfortably wide entry



High-quality screen support bar for perfect stability



The extension profile allows the product to be widened in a bathroom recess by 25 mm

### **COOL! brings a contemporary trend into your bathroom**

A customer-favourite shower enclosure. Its elegant appearance and lightweight, frameless design with hinged opening provide a comfortably wide entry.

#### **Don't miss it**

- 1.** Thanks to the one-piece door, the comfortable entry width is 710 or 810 mm (depending on the size variant).
- 2.** Door opening up to 90° outwards. Reversible design – left- or right-hand version.
- 3.** The door package includes a support bar for combination with the COPS fixed panel.
- 4.** 6 mm safety glass with RAVAK AntiCalc® treatment.
- 5.** The threshold strip is only 11 mm tall.

Shower trays → 266

Shower channels → 298

Seats → 258

Taps → 538

Accessories → 650



# COOL! COSD1

## Finish



## Standard panel material



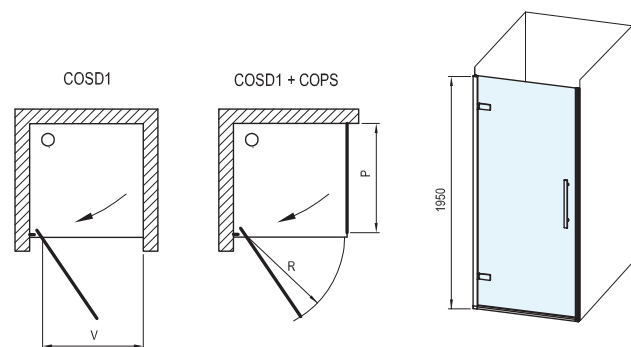
Height  
1950 mm

Order No.	Type	Frame	Panel	Product dimensions (mm)	Product dimensions in mm - installation with APSS	"V" entrance (mm)	Size of packaging (cm)	Gross weight (kg)
<b>XOVV40A00Z1</b>	COSD1 80	bright alu	transparent	792-807	780-795	710	7,5x81x201	29,5
<b>XOVV40300Z1</b>	COSD1 80	black	transparent	792-807	780-795	710	7,5x81x201	29,5
<b>XOVV40E00Z1</b>	COSD1 80	matt white	transparent	792-807	780-795	710	7,5x81x201	29,5
<b>XOVV70A00Z1</b>	COSD1 90	bright alu	transparent	892-907	880-895	810	7,5x91x201	32,9
<b>XOVV70300Z1</b>	COSD1 90	black	transparent	892-907	880-895	810	7,5x91x201	32,9
<b>XOVV70E00Z1</b>	COSD1 90	matt white	transparent	892-907	880-895	810	7,5x91x201	32,9

Products are delivered within 14 days as standard.

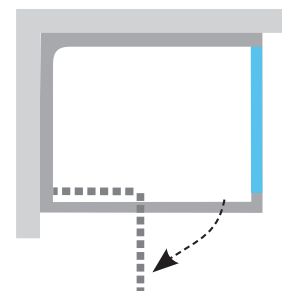
## Extension profiles

Order No.	Type	Frame	Product dimensions (mm)	Size of packaging (cm)	Gross weight (kg)
<b>XE70000300</b>	CONPS	black	25	4x4x196,5	1,9
<b>XE70000C00</b>	CONPS	bright alu	25	4x4x196,5	1,9

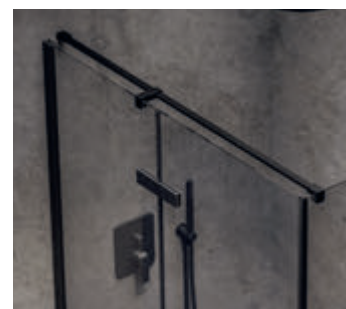


**RAVAK® COOL!**

## **COSD2** Lightweight structure with a wide entrance



Door opening up to 90°



High-quality screen support bar for perfect stability



The extension profile allows the product to be widened in a bathroom recess by 25 mm

### **COOL! brings a contemporary trend into your bathroom**

A customer-favourite shower enclosure. Its elegant appearance and lightweight, frameless design with hinged opening provide a comfortably wide entry.

#### **Don't miss it**

- 1.** Comfortable entry width - 610 mm for all size variants.
- 2.** Door opening up to 90° outwards. Reversible design - left- or right-hand version.
- 3.** The door package includes a support bar for installation in a bathroom recess or for combination with the COPS fixed panel.
- 4.** 6 mm safety glass with RAVAK AntiCalc® treatment.
- 5.** The threshold strip is only 11 mm tall.

Shower trays → 266

Shower channels → 298

Seats → 258

Taps → 538

Accessories → 650



# COOL! COSD2

## Finish



## Standard panel material



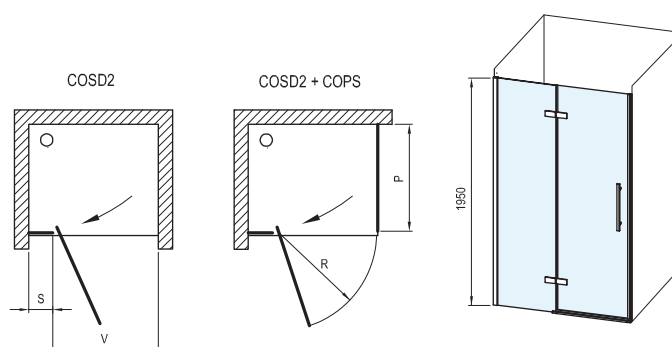
Height  
1950 mm

Order No.	Type	Frame	Panel	Product dimensions (mm)	Product dimensions in mm - installation with APSS	"V" entrance (mm)	Size of packaging (cm)	Gross weight (kg)
<b>XOVVACA00Z1</b>	COSD2 100	bright alu	transparent	992-1007	980-995	610	7,5x68x203	36,4
<b>XOVVAC300Z1</b>	COSD2 100	black	transparent	992-1007	980-995	610	7,5x68x203	36,4
<b>XOVVACE00Z1</b>	COSD2 100	matt white	transparent	992-1007	980-995	610	7,5x68x203	36,4
<b>XOVVDCA00Z1</b>	COSD2 110	bright alu	transparent	1092-1107	1080-1095	610	7,5x68x203	39,8
<b>XOVVDC300Z1</b>	COSD2 110	black	transparent	1092-1107	1080-1095	610	7,5x68x203	39,8
<b>XOVVDCE00Z1</b>	COSD2 110	matt white	transparent	1092-1107	1080-1095	610	7,5x68x203	39,8
<b>XOVVGCA00Z1</b>	COSD2 120	bright alu	transparent	1192-1207	1180-1195	610	10x68x203	42,6
<b>XOVVGC300Z1</b>	COSD2 120	black	transparent	1192-1207	1180-1195	610	10x68x203	42,6
<b>XOVVGCE00Z1</b>	COSD2 120	matt white	transparent	1192-1207	1180-1195	610	10x68x203	42,6

Products are delivered within 14 days as standard.

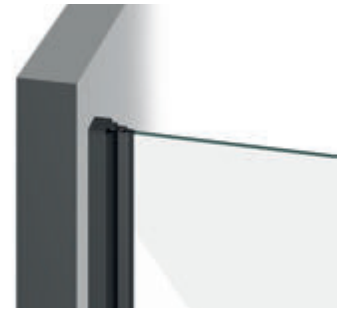
## Extension profiles

Order No.	Type	Frame	Product dimensions (mm)	Size of packaging (cm)	Gross weight (kg)
<b>XE70000300</b>	CONPS	black	25	4x4x196,5	1,9
<b>XE70000C00</b>	CONPS	bright alu	25	4x4x196,5	1,9



**ravak® COOL!**

# COPS Simply beautiful design



Simple, clean design



A high-quality screen support bar ensures perfect stability of the shower enclosure

## COOL! brings a contemporary trend into your bathroom

A customer-favourite shower enclosure. Its elegant appearance and lightweight, frameless design with hinged opening provide a comfortably wide entry.

### Don't miss it

- 1.** The product is compatible with COSD1 and COSD2.
- 2.** 6 mm safety glass with AntiCalc® treatment.
- 3.** The screen support bar is not included in the COPS product package, but is included with the COSD1 and COSD2 products.
- 4.** Reversible option - left- and right-hand versions.

Shower trays → 266

Shower channels → 298

Seats → 258

Taps → 538

Accessories → 650



5-YEAR WARRANTY



GLASS THICKNESS



GLASS PROTECTION ANTICALC



EASY MAINTENANCE

# COOL! COPS

## Finish



BRIGHT ALU



BLACK



MATT WHITE

## Standard panel material

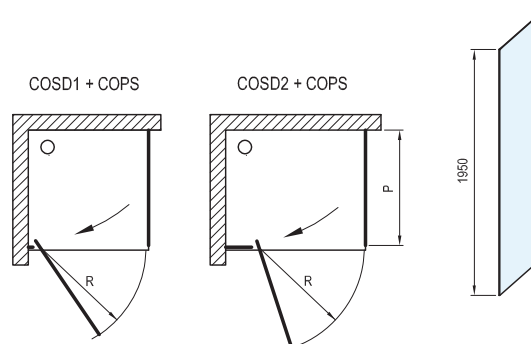


TRANSPARENT

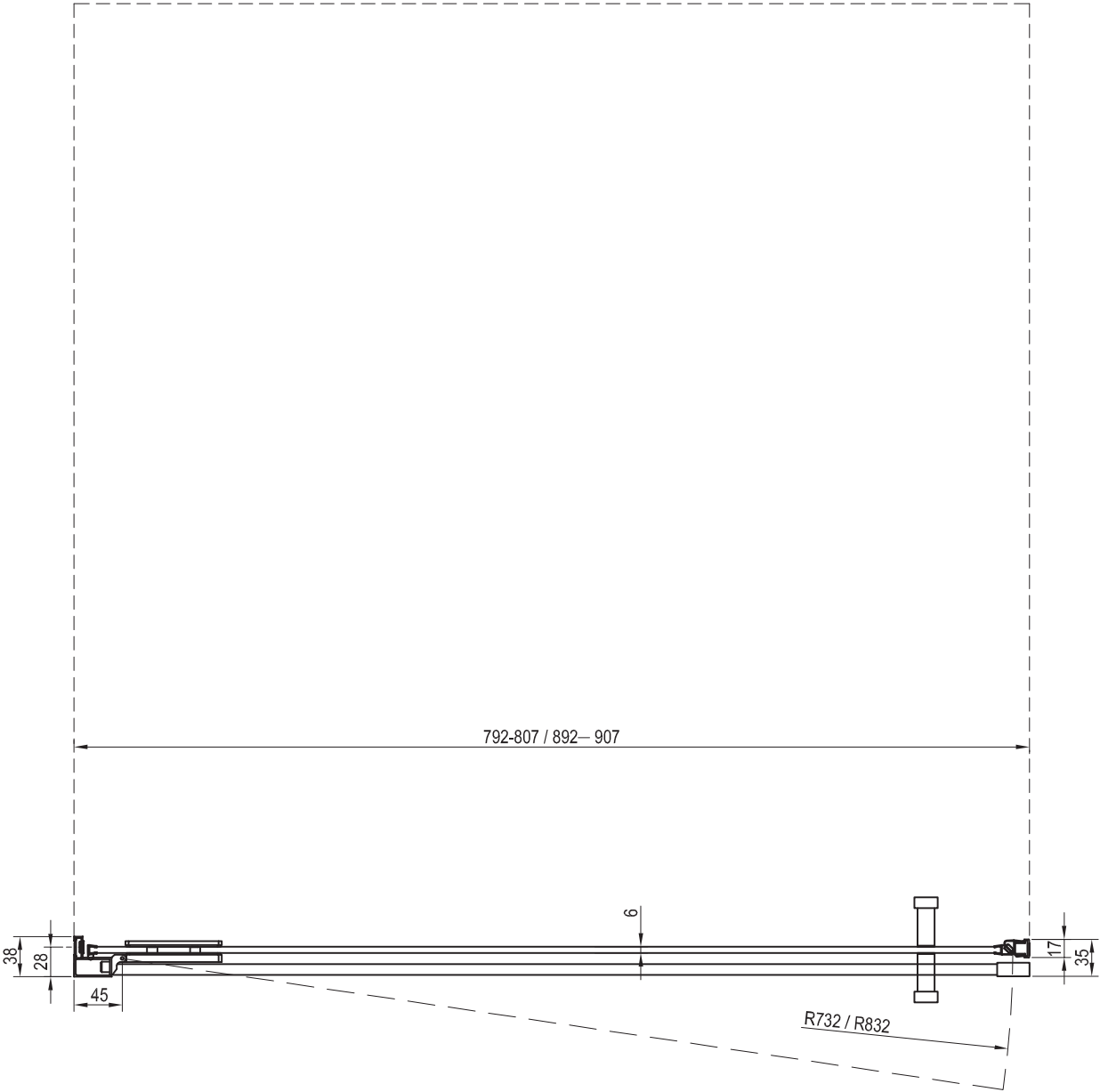
Height  
1950 mm

Order No.	Type	Frame	Panel	Product dimensions (mm)	Size of packaging (cm)	Gross weight (kg)
<b>X9VV40A00Z1</b>	COPS 80	bright alu	transparent	780-800	6x80x203	25,8
<b>X9VV40300Z1</b>	COPS 80	black	transparent	780-800	6x80x203	25,8
<b>X9VV40E00Z1</b>	COPS 80	matt white	transparent	780-800	6x80x203	25,8
<b>X9VV70A00Z1</b>	COPS 90	bright alu	transparent	880-900	6x90x203	28,7
<b>X9VV70300Z1</b>	COPS 90	black	transparent	880-900	6x90x203	28,7
<b>X9VV70E00Z1</b>	COPS 90	matt white	transparent	880-900	6x90x203	28,7
<b>X9VVA0A00Z1</b>	COPS 100	bright alu	transparent	980-1000	6x100x203	31,9
<b>X9VVA0300Z1</b>	COPS 100	black	transparent	980-1000	6x100x203	31,9
<b>X9VVA0E00Z1</b>	COPS 100	matt white	transparent	980-1000	6x100x203	31,9

Products are delivered within 14 days as standard.



**COSD1** Construction prerequisites

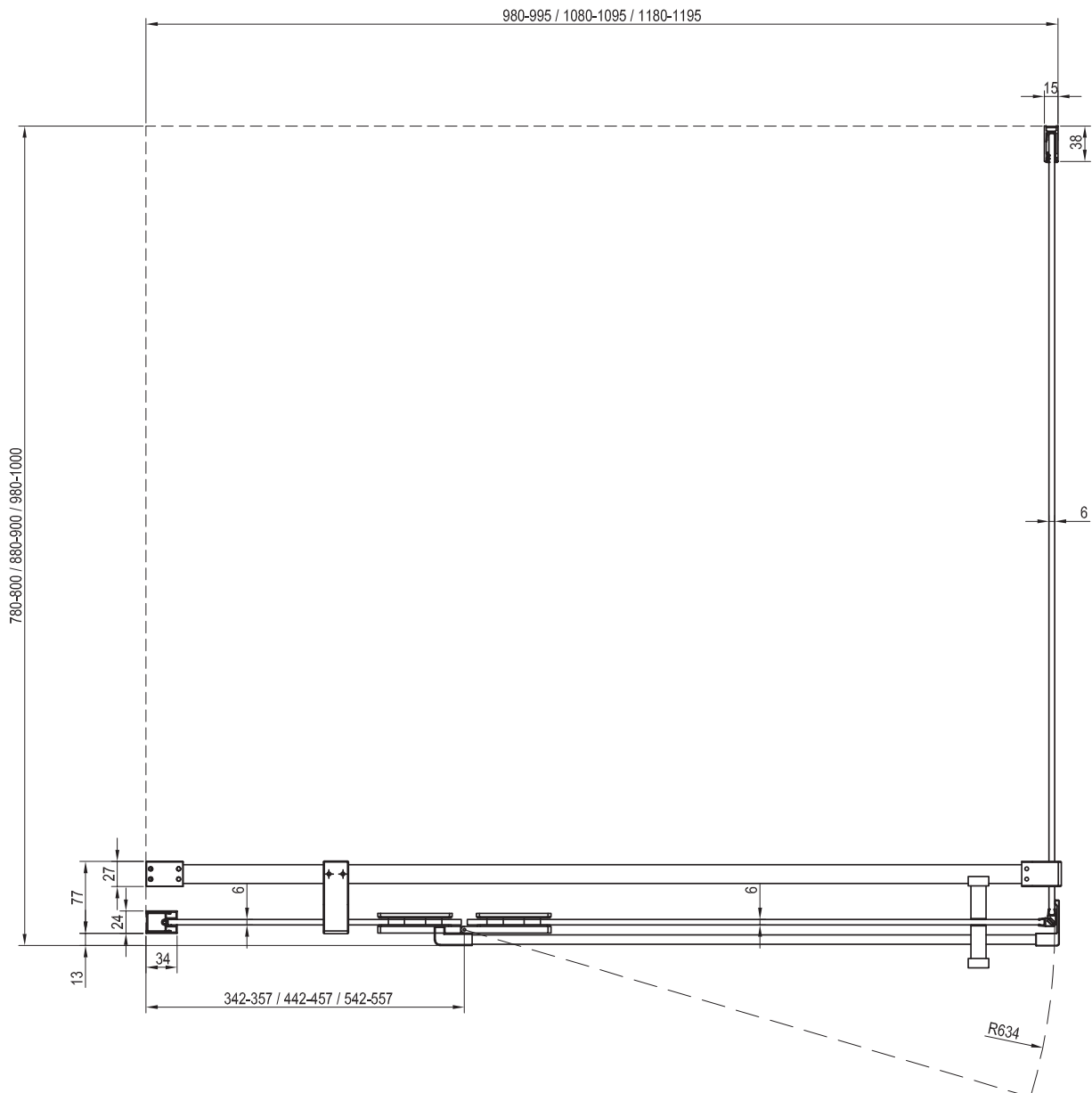


# COSD1 + COPS Construction prerequisites

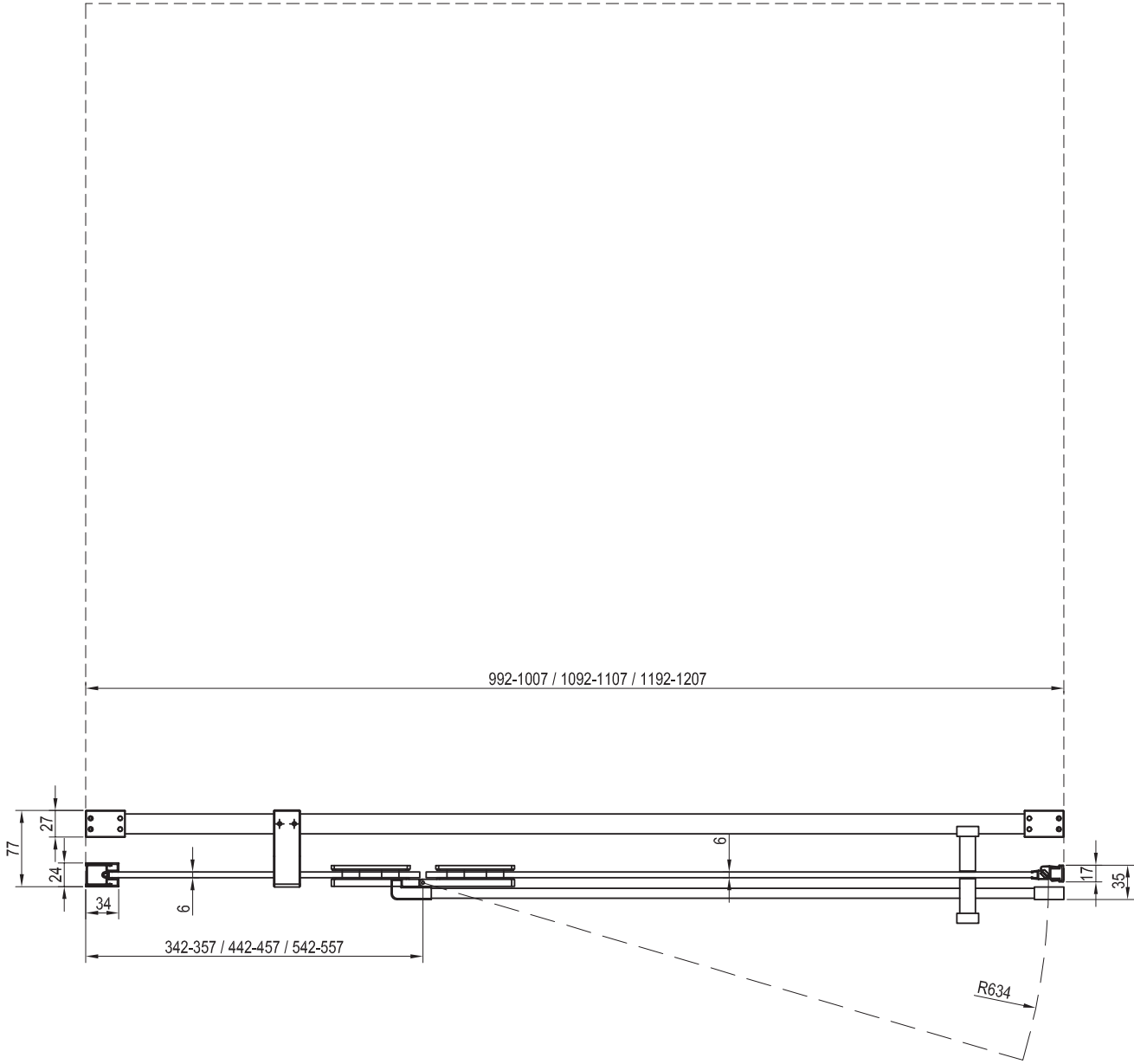
Type	Mounting onto a tray * Recommended shower tray size (mm)	Floor mounting ** Recommended size of inclined area (mm)
<b>COSD1 - 80 + COPS - 80</b>	800 x 800	770 x 757
<b>COSD1 - 80 + COPS - 90</b>	800 x 900	770 x 857
<b>COSD1 - 80 + COPS - 100</b>	800 x 1000	770 x 957
<b>COSD1 - 90 + COPS - 80</b>	900 x 800	870 x 757
<b>COSD1 - 90 + COPS - 90</b>	900 x 900	870 x 857
<b>COSD1 - 90 + COPS - 100</b>	900 x 1000	870 x 957

\* The values listed in the table assume that the tray is installed in accordance with the RAVAK assembly manual.

\*\* The values in the table apply to the inside edge of the glass.



# COSD2 Construction prerequisites

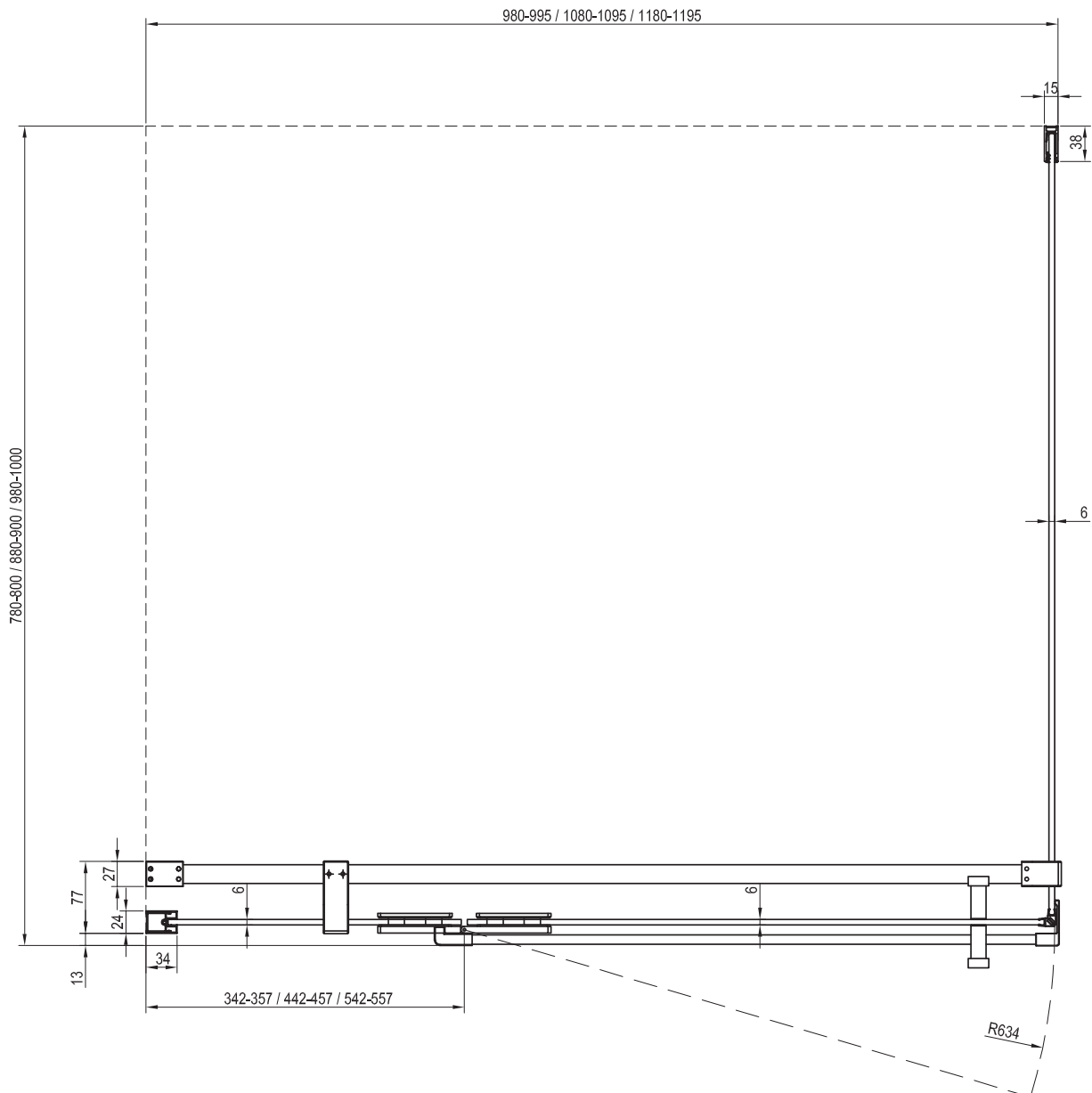


# COSD2 + COPS Construction prerequisites

Type	Mounting onto a tray* Recommended shower tray size (mm)	Floor mounting** Recommended size of inclined area (mm)
COSD2 - 100 + COPS - 80	1000 x 800	970 x 748
COSD2 - 100 + COPS - 90	1000 x 900	970 x 848
COSD2 - 100 + COPS - 100	1000 x 1000	970 x 948
COSD2 - 110 + COPS - 80	1100 x 800	1070 x 748
COSD2 - 110 + COPS - 90	1100 x 900	1070 x 848
COSD2 - 110 + COPS - 100	1100 x 1000	1070 x 948
COSD2 - 120 + COPS - 80	1200 x 800	1170 x 748
COSD2 - 120 + COPS - 90	1200 x 900	1170 x 848
COSD2 - 120 + COPS - 100	1200 x 1000	1170 x 948

\* The values listed in the table assume that the tray is installed in accordance with the RAVAK assembly manual.

\*\* The values in the table apply to the inside edge of the glass.



# Brilliant



5

5-YEAR WARRANTY ON ALL SHOWER ENCLOSURES AND DOORS

8/6 mm

GLASS THICKNESS



GLASS PROTECTION

The glass is protected by RAVAK AntiCalc® surface treatment technology.

B SET

30-YEAR LIFESPAN TESTED

High-quality chrome fittings with a minimum 30-year lifespan



LIFTING MECHANISM

Lifts the door and secures it in its basic position



**Refined perfection**

Uncompromising quality of materials and handmade details make the Brilliant a masterpiece



**Easier maintenance**

The hinges are recessed into the inside of the glass to make cleaning easier



**Watertightness**

The side sealing strips run through a metal fitting, preventing any water from escaping in this area. The bottom drip rail and 18 mm threshold strip keep water from splashing outside the enclosure

**Long life guaranteed**

Robust metal elements with high-quality chrome-plating guarantee a 30-year lifespan

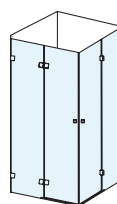
**Smart solution**

The lifting mechanism ensures the door closes automatically

**Easy maintenance**

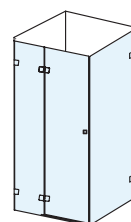
Thanks to a protective RAVAK AntiCalc® layer, the glass stays clean for longer (no limescale sediments)

Shower enclosures  
Brilliant



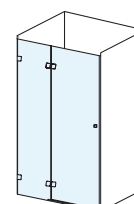
BSRV4

Corner shower enclosures > 52



BSDPS

Shower door with a fixed panel > 54



BSD2

Shower doors > 56

# BSRV4 Four-piece corner entry shower enclosure



Recessed hinges on the inside for easy maintenance of the enclosure



Long life thanks to robust metal hinges, clamps and handle



Perfect watertightness thanks to a threshold strip and vertical seals

## Wide range of shapes and sizes

Very comfortable access to the enclosure, thanks to an extra-wide entry of up to 90 cm.

### Don't miss it

- 1.** Recommended drains and shower channels: Chrome, 10°, and Runway stainless steel shower channels. Zebra plastic shower channel with stainless steel grid.
- 2.** Recommended shower trays: Perseus Pro, Perseus Pro Flat, Perseus Pro Chrome, Perseus Pro 10°.
- 3.** The fixed panels are made of 8 mm safety glass and the doors of 6 mm safety glass, both with patented RAVAK AntiCalc® treatment.
- 4.** To complete the product, BSRV4 glass panels and a B SET (containing hinges, clamps, handles, and a screen support bar) must be ordered separately.
- 5.** The threshold strip is 18 mm tall, the short screen support bar is 268 mm long, and the long screen support bar is 570 mm long.

Shower trays → 266

Shower channels → 298

Seats → 258

Taps → 538

Accessories → 650

# Brilliant BSRV4



5-YEAR WARRANTY



LIFESPAN TEST 30 YEARS



GLASS PROTECTION ANTICALC



GLASS THICKNESS



LIFTING MECHANISM

Finish

Standard panel material

Non-standard panel material

Height  
1950 mm



TRANSPARENT



GRAPHITE



MATELLUX



MATRIX



TRANSPARENT

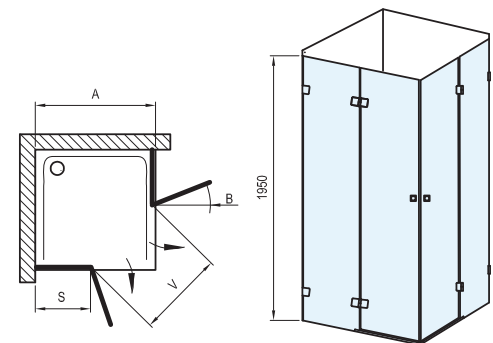
Order No.	Type	Frame	Panel	Dimensions (mm)				Size of packaging (cm)	Gross weight (kg)
				„A“	„B“	„S“	„V“		
<b>1UV44A00Z1</b>	BSRV4 80x80	-	transparent	783-795	554	228	763	69,5x11x201,5	58,4
<b>D01000A073</b> ○	B SET	chrome	-					9x12x62	6,0
<b>1UV77A00Z1</b>	BSRV4 90x90	-	transparent	883-895	554	328	763	69,5x11x201,5	66,0
<b>D01000A073</b> ○	B SET	chrome	-					9x12x62	6,0
<b>1UVAAA00Z1</b>	BSRV4 100x100	-	transparent	983-995	654	328	905	69,5x11x201,5	71,8
<b>D01000A074</b> ■	B SET	chrome	-					9x12x62	7,1

Products are delivered within 14 days as standard. Offer valid while stocks last.  
For a complete product, a glass panel pack and a B SET must be ordered separately.

○ B SET BSRV4 80/90 =



■ B SET BSRV4 100 =



# BSDPS Shower door with a fixed panel



Recessed hinges on the inside for easy maintenance of the enclosure



Long life thanks to robust metal hinges, clamps and handle



Perfect watertightness thanks to a threshold strip and vertical seals

## Wide range of shapes and sizes

Fixed panels and doors available in multiple sizes – choose square or rectangular shower enclosure according to your wishes and needs.

### Don't miss it

1. Recommended drains and shower channels: Chrome, 10°, and Runway stainless steel shower channels. Zebra plastic shower channel with stainless steel grid. SN501 plastic point drain with stainless steel grid.
2. Recommended shower trays: Perseus Pro, Perseus Pro Flat, Perseus Pro Chrome, Perseus Pro 10°.
3. The fixed panels are made of 8 mm safety glass and the doors of 6 mm safety glass, both with patented RAVAK AntiCalc® treatment.
4. To complete the product, BSDPS glass panels and a B SET (containing hinges, clamps, handles, and a screen support bar) must be ordered separately.
5. The threshold strip is 18 mm tall, the short screen support bar is 268 mm long, and the long screen support bar is 570 mm long.

Shower trays → 266

Shower channels → 298

Seats → 258

Taps → 538

Accessories → 650



5-YEAR WARRANTY



LIFESPAN TEST 30 YEARS



GLASS PROTECTION ANTICALC



GLASS THICKNESS



LIFTING MECHANISM



L/R OPTION

# Brilliant BSDPS

Finish

Standard panel material

Non-standard panel material

Height 1950 mm



TRANSPARENT



GRAPHITE



MATELLUX



MATRIX

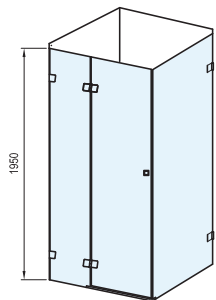
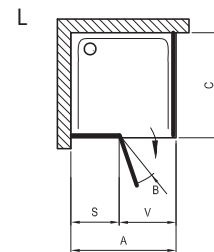


TRANSPARENT

Order No.	Type	Frame	Panel	Dimensions (mm)					Size of packaging (cm)	Gross weight (kg)
				„A“	„B“	„C“	„S“	„V“		
<b>OUL44A00Z1</b>	BSDPS 80x80 L	-	transparent	783-795	554	783-795	228	527	77x8x193	64,2
<b>D01000A076</b> ◊	B SET	chrome	-						9x12x62	5,1
<b>OUP44A00Z1</b>	BSDPS 80x80 R	-	transparent	783-795	554	783-795	228	527	75x8x193	64,2
<b>D01000A075</b> ◊	B SET	chrome	-						9x12x62	5,1
<b>OUL77A00Z1</b>	BSDPS 90x90 L	-	transparent	883-895	554	883-895	328	527	87x8x193	72,8
<b>D01000A076</b> ◊	B SET	chrome	-						9x12x62	5,1
<b>OUP77A00Z1</b>	BSDPS 90x90 R	-	transparent	883-895	554	883-895	328	527	87x8x193	72,8
<b>D01000A075</b> ◊	B SET	chrome	-						9x12x62	5,1
<b>OULA0A00Z1</b>	BSDPS 100x100 L	-	transparent	983-995	654	983-995	328	627	97x8x193	78,9
<b>D01000A078</b> ■	B SET	chrome	-						9x12x62	5,6
<b>OUPA0A00Z1</b>	BSDPS 100x100 R	-	transparent	983-995	654	983-995	328	627	97x8x193	78,9
<b>D01000A077</b> ■	B SET	chrome	-						9x12x62	5,6
<b>OULA4A00Z1</b>	BSDPS 100x80 L	-	transparent	983-995	654	783-795	328	627	77x8x193	71,3
<b>D01000A078</b> ■	B SET	chrome	-						9x12x62	5,6
<b>OUPA4A00Z1</b>	BSDPS 100x80 R	-	transparent	983-995	654	783-795	328	627	77x8x193	71,3
<b>D01000A077</b> ■	B SET	chrome	-						9x12x62	5,6
<b>OULD4A00Z1</b>	BSDPS 110x80 L	-	transparent	1083-1095	654	783-795	428	627	77x8x193	75,2
<b>D01000A080</b> ■	B SET	chrome	-						9x12x62	5,6
<b>OUPD4A00Z1</b>	BSDPS 110x80 R	-	transparent	1083-1095	654	783-795	428	627	76x8x193	75,2
<b>D01000A079</b> ■	B SET	chrome	-						9x12x62	5,6
<b>OULG4A00Z1</b>	BSDPS 120x80 L	-	transparent	1183-1195	654	783-795	528	627	77x8x193	79,2
<b>D01000A082</b> □	B SET	chrome	-						9x12x62	5,8
<b>OUPG4A00Z1</b>	BSDPS 120x80 R	-	transparent	1183-1195	654	783-795	528	627	77x8x193	79,2
<b>D01000A081</b> □	B SET	chrome	-						9x12x62	5,8
<b>OULG7A00Z1</b>	BSDPS 120x90 L	-	transparent	1183-1195	654	883-895	528	627	87x8x193	83,5
<b>D01000A082</b> □	B SET	chrome	-						9x12x62	5,8
<b>OUPG7A00Z1</b>	BSDPS 120x90 R	-	transparent	1183-1195	654	883-895	528	627	87x8x193	83,5
<b>D01000A081</b> □	B SET	chrome	-						9x12x62	5,8

Products are delivered within 14 days as standard. Offer valid while stocks last.  
For a complete product, a glass panel pack and a B SET must be ordered separately.

- ◊ B SET BSDPS-L/R 80/90 =
- B SET BSDPS-L/R 100/110 =
- B SET BSDPS-L/R 120 =



# BSD2 Two-piece shower door



Recessed hinges on the inside for easy maintenance of the enclosure



Long life thanks to robust metal hinges, clamps and handle



Perfect watertightness thanks to a threshold strip and vertical seals

## Smart solution for wall recesses

Ideal solution for creating a showering space in a bathroom recess 80 to 100 cm wide.

### Don't miss it

1. Recommended drains and shower channels: Chrome, 10°, and Runway stainless steel shower channels. Zebra plastic shower channel with stainless steel grid.
2. Recommended shower trays: Perseus Pro, Perseus Pro Flat, Perseus Pro Chrome, Perseus Pro 10°.
3. The fixed panels are made of 8 mm safety glass and the doors of 6 mm safety glass, both with patented RAVAK AntiCalc® treatment.
4. To complete the product, BSD2 glass panels and a B SET (containing hinges, clamps, handles, and a screen support bar) must be ordered separately.
5. The threshold strip is 18 mm tall, the short screen support bar is 268 mm long, and the long screen support bar is 570 mm long.

Shower trays → 266

Shower channels → 298

Seats → 258

Taps → 538

Accessories → 650



# Brilliant BSD2

Finish

Standard panel material

Non-standard panel material

Height  
1950 mm



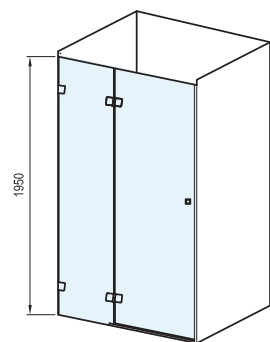
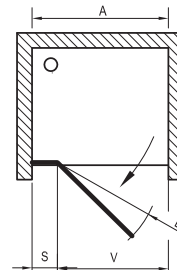
Order No.	Type	Frame	Panel	Dimensions (mm)				Size of packaging (cm)	Gross weight (kg)
				„A“	„B“	„S“	„V“		
<b>OUL4AA00Z1</b>	BSD2 80 L	-	transparent	790-805	554	218	529	54x4x193	31,1
<b>D01000A084</b> ○	B SET	chrome	-					9x12x28	3,2
<b>OUP4AA00Z1</b>	BSD2 80 R	-	transparent	790-805	554	218	529	55x4x193	31,1
<b>D01000A083</b> ○	B SET	chrome	-					9x12x28	3,2
<b>OUL7AA00Z1</b>	BSD2 90 L	-	transparent	890-905	554	318	529	55x4x193	35,3
<b>D01000A084</b> ○	B SET	chrome	-					9x12x28	3,2
<b>OUP7AA00Z1</b>	BSD2 90 R	-	transparent	890-905	554	318	529	55x4x193	35,3
<b>D01000A083</b> ○	B SET	chrome	-					9x12x28	3,2
<b>OULAAA00Z1</b>	BSD2 100 L	-	transparent	990-1005	654	318	629	56x4x193	38,5
<b>D01000A086</b> ■	B SET	chrome	-					9x12x28	3,9
<b>OUPAAA00Z1</b>	BSD2 100 R	-	transparent	990-1005	654	318	629	56x4x193	38,5
<b>D01000A085</b> ■	B SET	chrome	-					9x12x62	3,9

Products are delivered within 14 days as standard. Offer valid while stocks last.  
For a complete product, a glass panel pack and a B SET must be ordered separately.

○ B SET BSD2-L/R 80/90 =



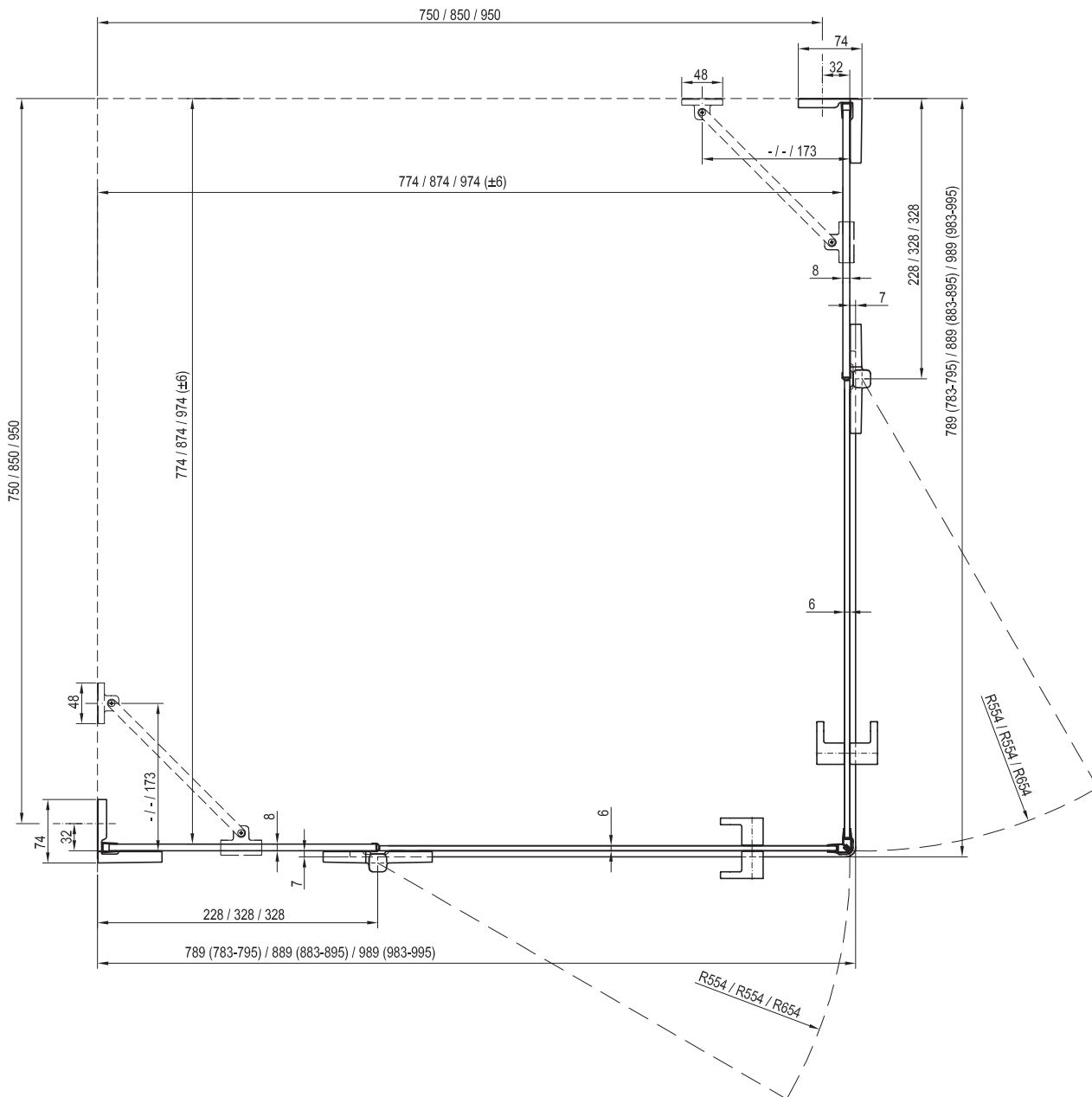
■ B SET BSD2-L/R 100 =



# BSRV4 Construction prerequisites

Type	Mounting onto a tray* Recommended shower tray size (mm)	Floor mounting** Recommended size of inclined area (mm)
"BSRV4 - 80	800 x 800	774 x 774
"BSRV4 - 90	900 x 900	874 x 874
"BSRV4 - 100	1000 x 1000	974 x 974

\* The values listed in the table assume that the tray is installed in accordance with the RAVAK assembly manual.  
 \*\* The values in the table apply to the inside edge of the glass.

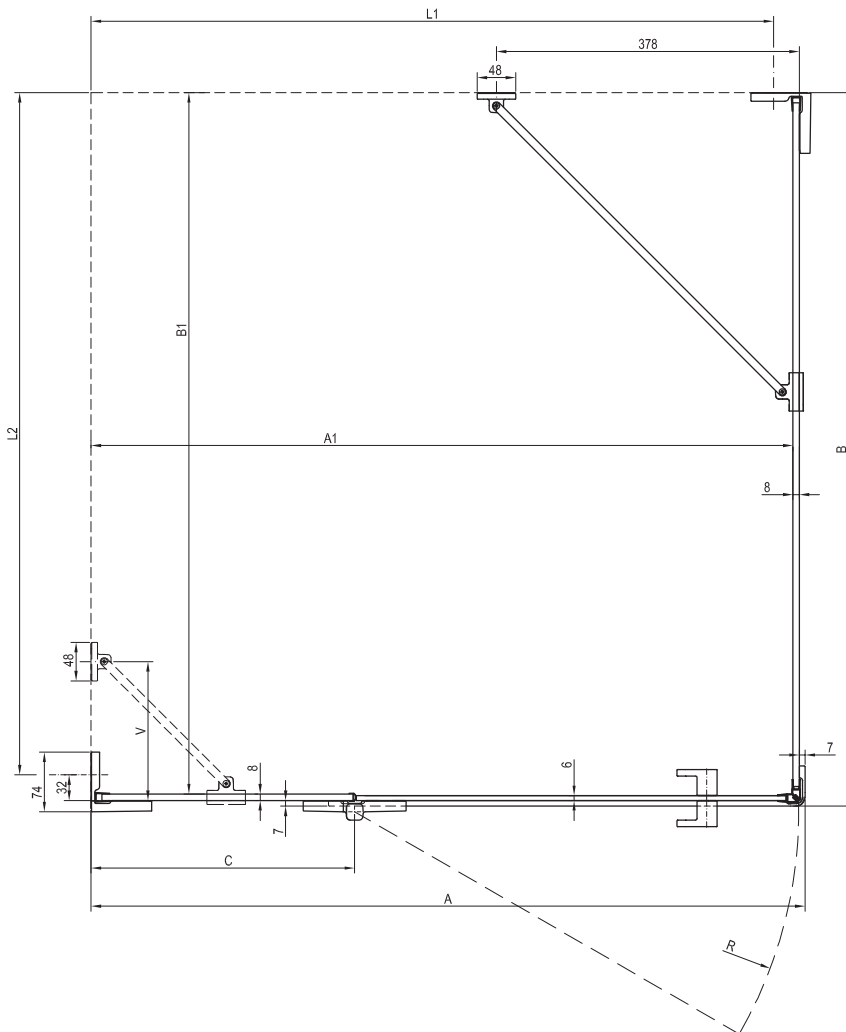


# BSDPS Construction prerequisites

Type	Mounting onto a tray* Recommended shower tray size (mm)	Floor mounting** Recommended size of inclined area (mm)
<b>BSDPS - 80 L/R</b>	800 x 800	774 x 774
<b>BSDPS - 90 L/R</b>	900 x 900	874 x 874
<b>BSDPS - 100 L/R</b>	1000 x 1000	974 x 974
<b>BSDPS - 100/80 L/R</b>	1000 x 800	974 x 774
<b>BSDPS - 110/80 L/R</b>	1100 x 800	1074 x 774
<b>BSDPS - 120/80 L/R</b>	1200 x 800	1174 x 774
<b>BSDPS - 120/90 L/R</b>	1200 x 900	1174 x 874

\* The values listed in the table assume that the tray is installed in accordance with the RAVAK assembly manual.

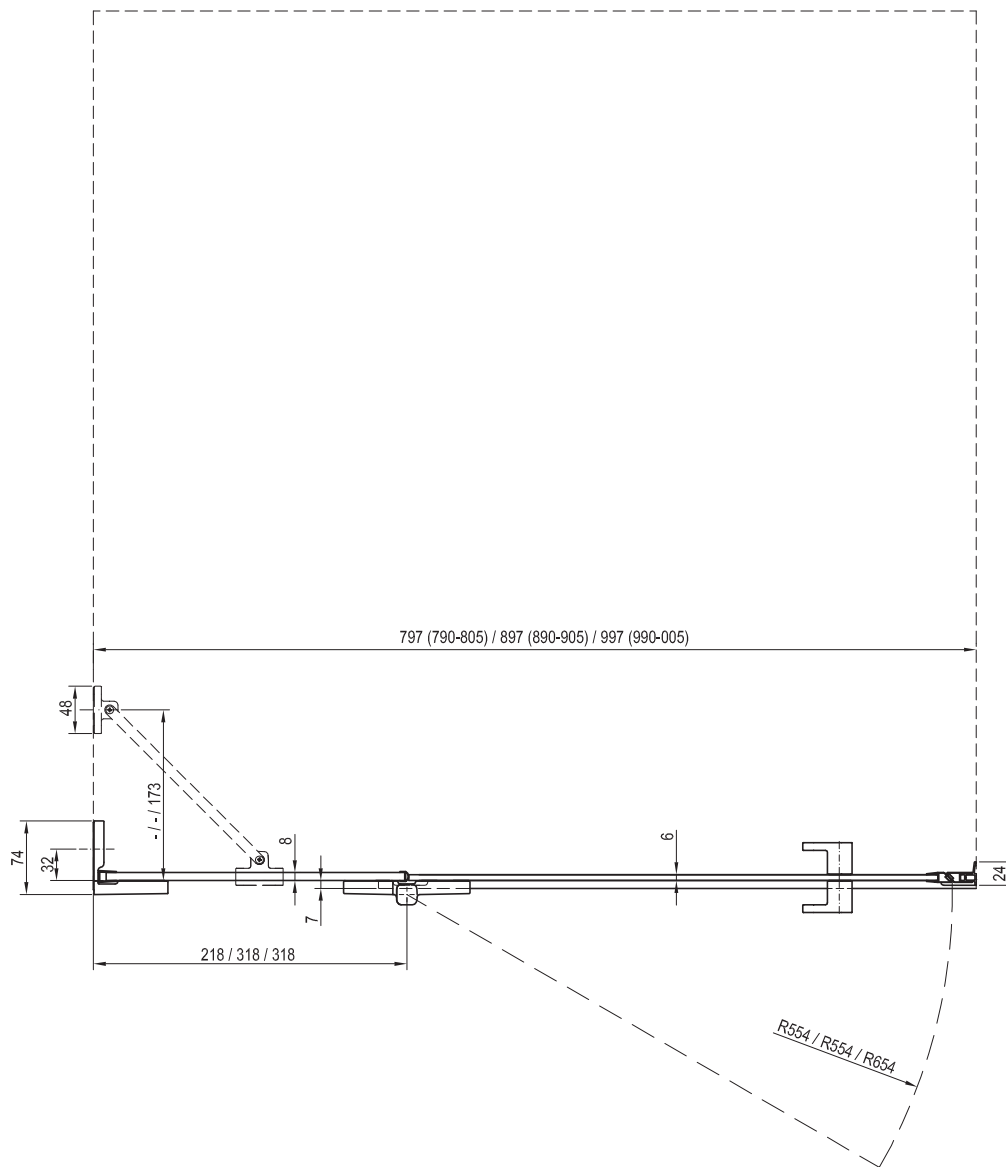
\*\* The values in the table apply to the inside edge of the glass.



Type	„A“	„B“	„L1“	„L2“	„C“	„R“	„V“	„A1“	„B1“
<b>BSDPS - 80 L/R</b>	789 (783-795)	789 (783-795)	750	750	228	554	-	774 (±6)	774 (±6)
<b>BSDPS - 90 L/R</b>	889 (883-895)	889 (883-895)	850	850	328	554	-	874 (±6)	874 (±6)
<b>BSDPS - 100 L/R</b>	989 (983-995)	989 (983-995)	950	950	328	654	173	974 (±6)	974 (±6)
<b>BSDPS - 100/80 L/R</b>	989 (983-995)	789 (783-795)	950	750	328	654	173	974 (±6)	774 (±6)
<b>BSDPS - 110/80 L/R</b>	1089 (1083-1095)	789 (783-795)	1050	750	428	654	173	1074 (±6)	774 (±6)
<b>BSDPS - 120/80 L/R</b>	1189 (1183-1195)	789 (783-795)	1150	750	528	654	378	1174 (±6)	774 (±6)
<b>BSDPS - 120/90 L/R</b>	1189 (1183-1195)	889 (883-895)	1150	850	528	654	378	1174 (±6)	874 (±6)



# BSD2 Construction prerequisites



# SmartLine



5

5-YEAR WARRANTY ON ALL SHOWER ENCLOSURES AND DOORS

6 mm

GLASS THICKNESS



GLASS PROTECTION  
The glass is protected by RAVAK AntiCalc® surface treatment technology.



LIFTING MECHANISM  
Lifts the door and secures it in its basic position



**Lustrous and minimalist design**

Glass surfaces with glossy metal fittings for an airy and lightweight look

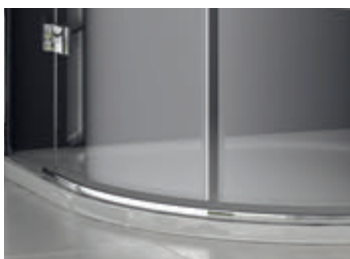


**Technically perfect in its class**

Robust chrome-plated metal hinges with a lifting mechanism for automatic closing



Short side screen support for ensuring perfect and long-term stability of the enclosure



**Watertightness**

The side vertical profiles, combined with the sealing strips on the doors, ensure excellent watertightness. The bottom drip rail and 18 mm threshold strip prevent water from splashing outside the enclosure

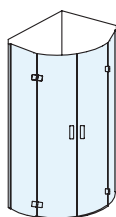


**Adjustment for construction inaccuracies**

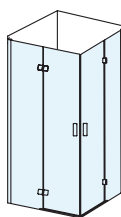
The product can be adjusted by up to 15 mm on each side

**Easy maintenance**

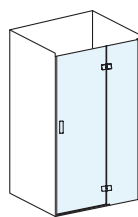
Thanks to a protective RAVAK AntiCalc® layer, the glass stays clean for longer (no limescale sediments)



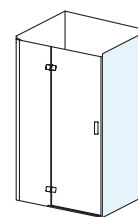
SMSKK4



SMSRV4



SMSD2



SMPS

Quadrant shower enclosures > 64

Corner shower enclosures > 66

Shower doors > 68

Fixed panel > 70

# SMSKK4 Four-piece quadrant shower enclosure



The wall profile can compensate for even major structural inaccuracies in the bathroom



Perfect watertightness thanks to a threshold strip and vertical seals



Robust and ergonomic metal handle

## Comfortably wide entry

Very comfortable access to the enclosure, thanks to an entry width of up to 76 cm.

### Don't miss it

- 1.** Recommended shower trays: Elipso, Elipso Pro, Elipso Pro Flat, Elipso Pro Chrome, Ronda, Sabina.
- 2.** The threshold strip is 18 mm tall.
- 3.** The package includes 2 short 270 mm screen support bars.
- 4.** Radius: 500 mm.

Shower trays → 266

Shower channels → 298

Seats → 258

Taps → 538

Accessories → 650

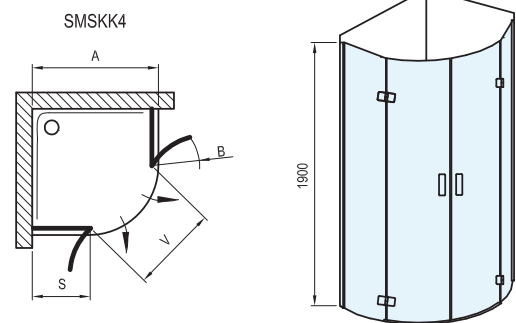


# SmartLine SMSKK4

<b>Finish</b>	<b>Standard panel material</b>	<b>Non-standard panel material</b>	<b>Height</b>
BRIGHT ALU	TRANSPARENT	TRANSPARENT	1900 mm

Order No.	Type	Frame	Panel	Dimensions (mm)				Size of packaging (cm)	Gross weight (kg)
				„A“	„B“	„S“	„V“		
<b>3S244A00Y1</b>	SMSKK4 80x80	bright alu/ chrome	transparent	785-800	441	228	761	47x20x201	51,3
<b>3S277A00Y1</b>	SMSKK4 90x90	bright alu/ chrome	transparent	885-900	441	328	761	47x20x201	56,8

Products are delivered within 14 days as standard.  
Offer valid while stocks last.



# SMSRV4 Four-piece corner entry shower enclosure



The wall profile can compensate for even major structural inaccuracies in the bathroom



Perfect watertightness thanks to a threshold strip and vertical seals



Robust and ergonomic metal handle

## Comfortably wide entry

Very comfortable access to the enclosure, thanks to an entry width of up to 76 cm.

### Don't miss it

- 1.** Recommended drains and shower channels: Chrome, 10°, and Runway stainless steel shower channels. Zebra plastic shower channel with stainless steel grid. SN501 plastic point drain with stainless steel grid.
- 2.** Recommended shower trays: Perseus Pro, Perseus Pro Flat, Perseus Pro Chrome, Perseus Pro 10°, Angela.
- 3.** The threshold strip is 18 mm tall.
- 4.** The package includes 2 short 270 mm screen support bars.

Shower trays → 266

Shower channels → 298

Seats → 258

Taps → 538

Accessories → 650



# SmartLine SMSRV4

## Finish



BRIGHT ALU

## Standard panel material



TRANSPARENT

## Non-standard panel material



GRAPHITE



GRAPE



MATELUX



MATRIX

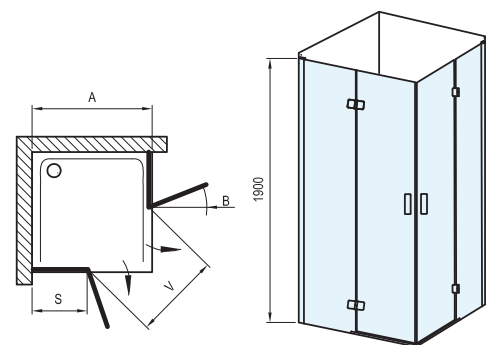


TRANSPARENT

Height  
1900 mm

Order No.	Type	Frame	Panel	Dimensions (mm)				Size of packaging (cm)	Gross weight (kg)
				„A“	„B“	„S“	„V“		
<b>1SV44A00Z1</b>	SMSRV4 80x80	bright alu/chrome	transparent	785-800	554	228	763	71x8x193	56,8
<b>1SV77A00Z1</b>	SMSRV4 90x90	bright alu/chrome	transparent	885-900	554	328	763	71x8x193	62,3

Products are delivered within 14 days as standard.  
Offer valid while stocks last.



# SMSD2 Two-piece shower door



The wall profile can compensate for even major structural inaccuracies in the bathroom



Perfect watertightness thanks to a threshold strip and vertical seals



Robust and ergonomic metal handle

## Comfortably wide entry

Ideal solution for creating a showering space in a bathroom recess 90 to 120 cm wide, or for creating a shower enclosure when combined with a PPS fixed panel.

### Don't miss it

1. Recommended drains and shower channels: Chrome, 10°, and Runway stainless steel shower channels. Zebra plastic shower channel with stainless steel grid. SN501 plastic point drain with stainless steel grid.
2. Recommended shower trays: Perseus Pro, Perseus Pro Flat, Perseus Pro Chrome A 10°, Gigant, Gigant Pro, Gigant Pro Flat, Gigant Pro Chrome and 10°, Angela.
3. When installing the product into a bathroom recess, either the A or B variant can be used depending on the size of the opening. To combine the door with a fixed panel, only the B variant can be used.
4. The threshold strip is 18 mm tall.
5. Includes one short 270 mm screen support bar; only the 120 cm door comes with one long 571 mm screen support bar.

Shower trays → 266

Shower channels → 298

Seats → 258

Taps → 538

Accessories → 650



# SmartLine SMSD2

## Finish



BRIGHT ALU

## Standard panel material



TRANSPARENT

## Non-standard panel material



GRAPHITE



GRAPE



MATELUX



MATRIX

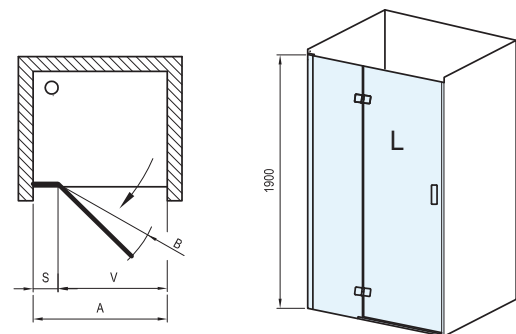


TRANSPARENT

Height  
1900 mm

Order No.	Type	Frame	Panel	Dimensions (mm)				Size of packaging (cm)	Gross weight (kg)
				„A“	„B“	„S“	„V“		
<b>OSL7AA00Z1</b>	SMSD2 90 A-L	bright alu/chrome	transparent	889-906	654	218	629	69,5x11x201,5	37,2
<b>OSP7AA00Z1</b>	SMSD2 90 A-R	bright alu/chrome	transparent	889-906	654	218	629	69,5x11x201,5	37,2
<b>OSL7BA00Z1</b>	SMSD2 90 B-L *	bright alu/chrome	transparent	899-916	654	228	629	69,5x11x201,5	37,5
<b>OSP7BA00Z1</b>	SMSD2 90 B-R *	bright alu/chrome	transparent	899-916	654	228	629	69,5x11x201,5	37,5
<b>OSLAAA00Z1</b>	SMSD2 100 A-L	bright alu/chrome	transparent	989-1006	654	318	629	69,5x11x201,5	40,0
<b>OSPAAA00Z1</b>	SMSD2 100 A-R	bright alu/chrome	transparent	989-1006	654	318	629	69,5x11x201,5	40,0
<b>OSLABA00Z1</b>	SMSD2 100 B-L *	bright alu/chrome	transparent	999-1016	654	328	629	69,5x11x201,5	40,3
<b>OSPABA00Z1</b>	SMSD2 100 B-R *	bright alu/chrome	transparent	999-1016	654	328	629	69,5x11x201,5	40,3
<b>OSLDA00Z1</b>	SMSD2 110 A-L	bright alu/chrome	transparent	1089-1106	654	418	629	69,5x11x201,5	42,8
<b>OSPDAA00Z1</b>	SMSD2 110 A-R	bright alu/chrome	transparent	1089-1106	654	418	629	69,5x11x201,5	42,8
<b>OSLDBA00Z1</b>	SMSD2 110 B-L *	bright alu/chrome	transparent	1099-1116	654	428	629	69,5x11x201,5	43,1
<b>OSPDBA00Z1</b>	SMSD2 110 B-R *	bright alu/chrome	transparent	1099-1116	654	428	629	69,5x11x201,5	43,1
<b>OSLGA00Z1</b>	SMSD2 120 A-L	bright alu/chrome	transparent	1189-1206	654	518	629	69,5x11x201,5	45,7
<b>OSPGAA00Z1</b>	SMSD2 120 A-R	bright alu/chrome	transparent	1189-1206	654	518	629	69,5x11x201,5	45,7
<b>OSLGBA00Z1</b>	SMSD2 120 B-L *	bright alu/chrome	transparent	1199-1216	654	528	629	69,5x11x201,5	45,9
<b>OSPGBA00Z1</b>	SMSD2 120 B-R *	bright alu/chrome	transparent	1199-1216	654	528	629	69,5x11x201,5	45,9

Products are delivered within 14 days as standard. Offer valid while stocks last.



**SMPS** Fixed panel



The wall profile can compensate for even major structural inaccuracies in the bathroom



Solid screen support bar for perfect stability

Robust and ergonomic metal handle

**Practical solution**

The space next to the fixed panel can serve as the perfect spot for your washing machine, washbasin, or toilet.

**Don't miss it**

1. Recommended drains and shower channels: Chrome, 10°, and Runway stainless steel shower channels. Zebra plastic shower channel with stainless steel grid. SN501 plastic point drain with stainless steel grid.
2. Recommended shower trays: Perseus Pro, Perseus Pro Flat, Perseus Pro Chrome A 10°, Gigant, Gigant Pro, Gigant Pro Flat, Gigant Pro Chrome and 10°, Angela.
3. The product can also be used separately as a partition, but is primarily designed for combination with the SMSD2 shower door.
4. The fixed panel is designed to be combined with the SMSD2 shower door, model B.
5. Left-hand door combines with a left-hand fixed panel. Right-hand door combines with a right-hand fixed panel.

Shower trays → 266

Shower channels → 298

Seats → 258

Taps → 538

Accessories → 650



5-YEAR WARRANTY



LIFTING MECHANISM



GLASS PROTECTION ANTICALC



GLASS THICKNESS



L/R OPTION

# SmartLine SMPS

## Finish



BRIGHT ALU

## Standard panel material



TRANSPARENT

## Non-standard panel material



GRAPHITE



GRAPE



MATELUX



MATRIX

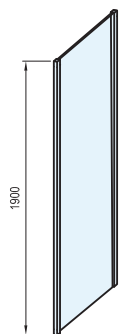


TRANSPARENT

Height  
1900 mm

Order No.	Type	Frame	Panel	Product dimensions (mm)	Size of packaging (cm)	Gross weight (kg)
<b>9SL40A00Z1</b>	SMPS 80 L	bright alu	transparent	785-800	77x4x193	27,3
<b>9SP40A00Z1</b>	SMPS 80 R	bright alu	transparent	785-800	77x4x193	27,3
<b>9SL70A00Z1</b>	SMPS 90 L	bright alu	transparent	885-900	87x4x193	30,0
<b>9SP70A00Z1</b>	SMPS 90 R	bright alu	transparent	885-900	87x4x193	30,0
<b>9SLA0A00Z1</b>	SMPS 100 L	bright alu	transparent	985-1000	97x4x193	32,7
<b>9SPA0A00Z1</b>	SMPS 100 R	bright alu	transparent	985-1000	97x4x193	32,7

Products are delivered within 14 days as standard.  
Offer valid while stocks last.

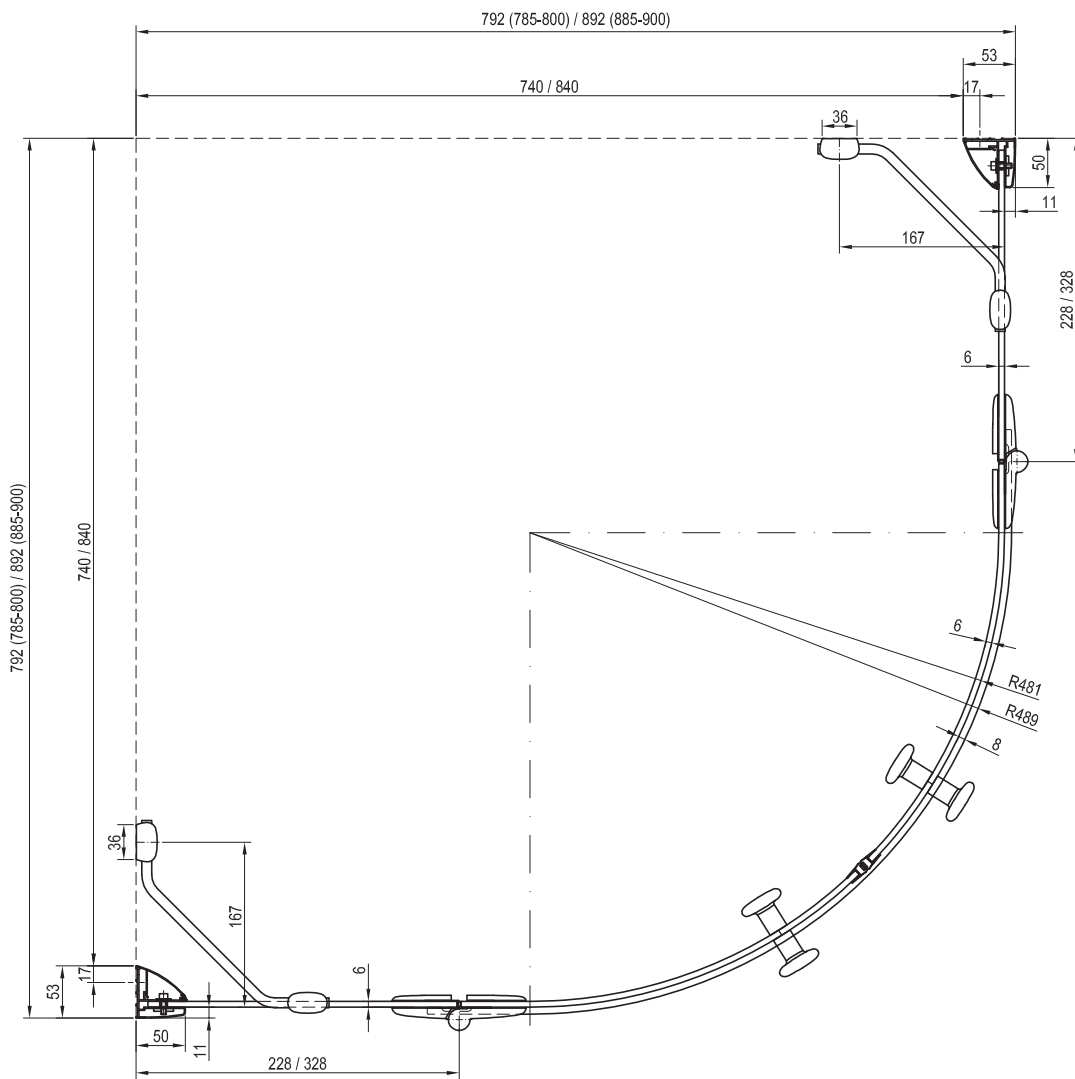


# SMSKK4 Construction prerequisites

Type	Mounting onto a tray* Recommended shower tray size (mm)	Floor mounting** Recommended size of inclined area (mm)
<b>SMSKK4 - 80</b>	800 x 800, R 500	In accordance with technical drawings
<b>SMSKK4 - 90</b>	900 x 900, R 500	In accordance with technical drawings

\* The values listed in the table assume that the tray is installed in accordance with the RAVAK assembly manual.

\*\* The values in the table apply to the inside edge of the glass.

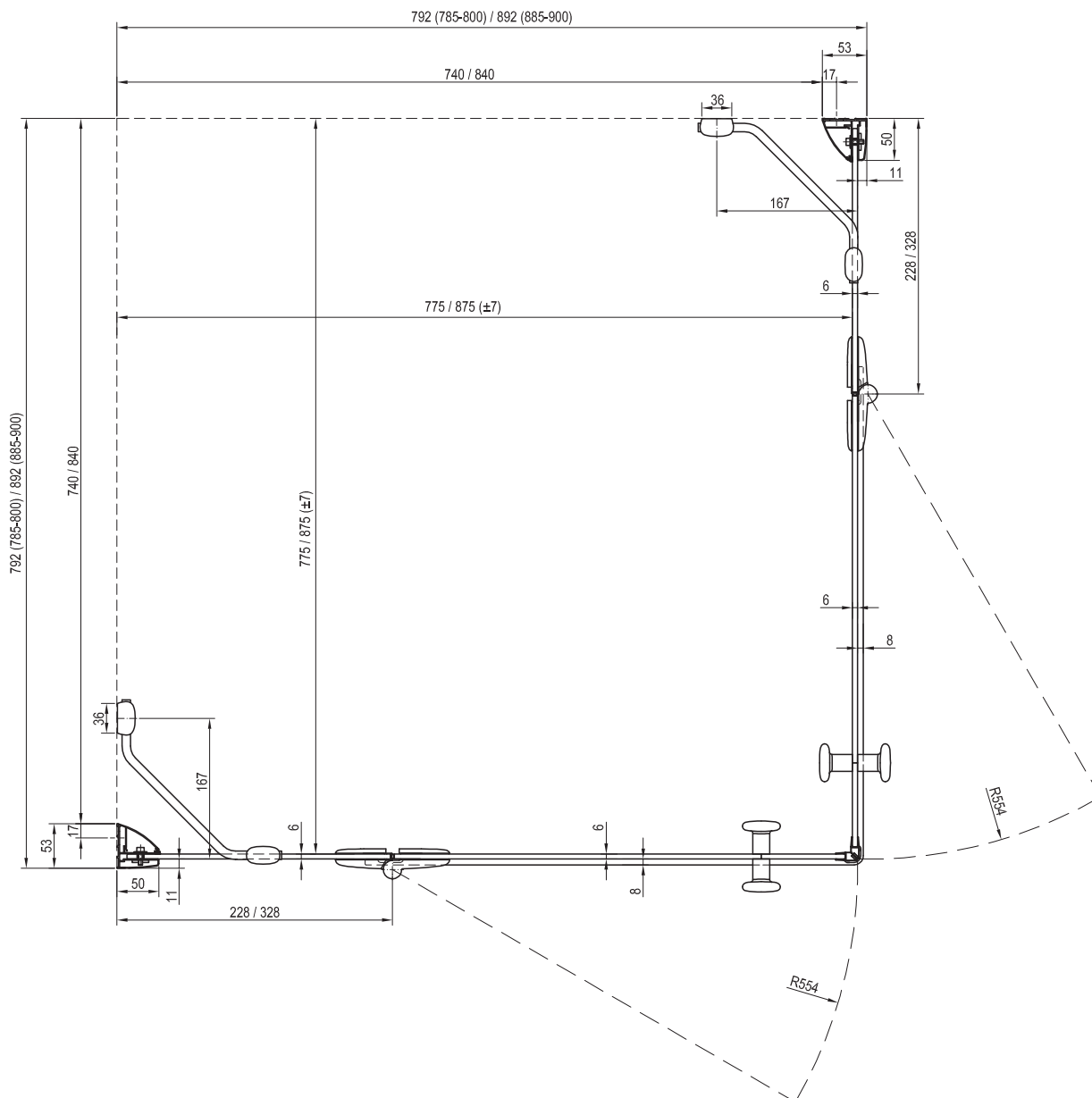


# SMSRV4 Construction prerequisites

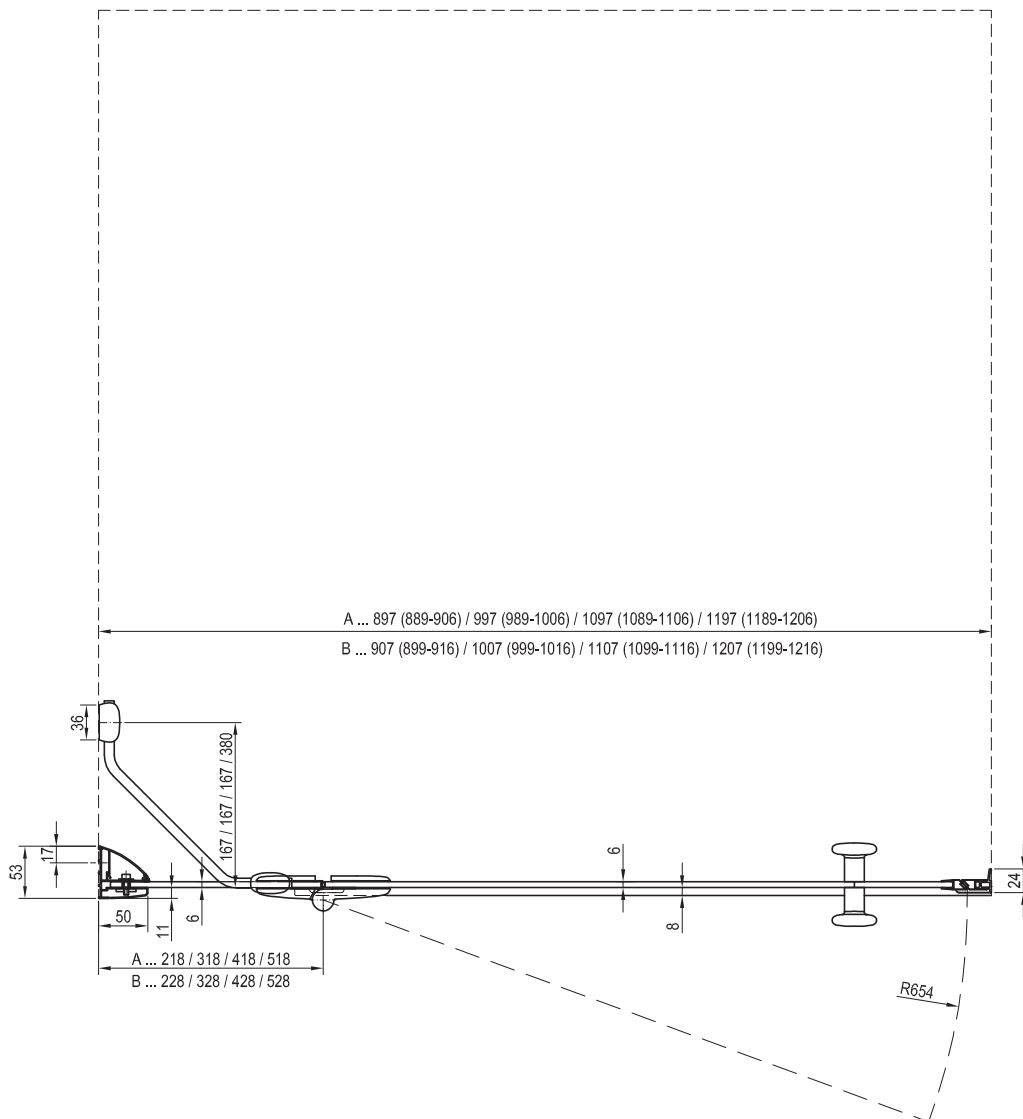
Type	Mounting onto a tray* Recommended shower tray size (mm)	Floor mounting** Recommended size of inclined area (mm)
SMSRV4 - 80	800 x 800	775 x 775
SMSRV4 - 90	900 x 900	875 x 875

\* The values listed in the table assume that the tray is installed in accordance with the RAVAK assembly manual.

\*\* The values in the table apply to the inside edge of the glass.



# SMSD2 Construction prerequisites

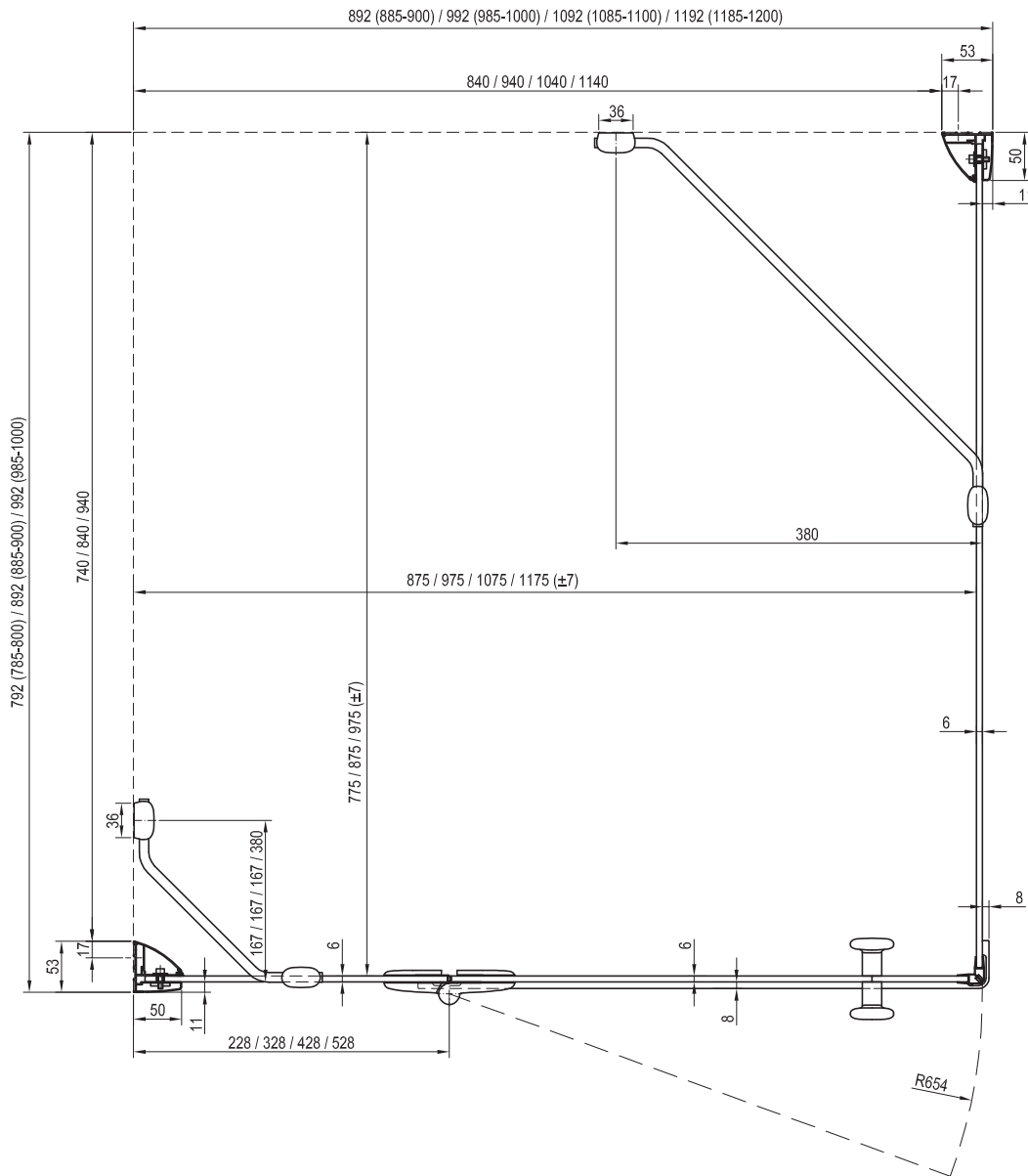


# SMSD2 + SMPS Construction prerequisites

Type	Mounting onto a tray* Recommended shower tray size (mm)	Floor mounting** Recommended size of inclined area (mm)
SMSD2 - 90 B-L/R + SMPS - 90 L/R	900 x 900	840 x 840
SMSD2 - 100 B-L/R + SMPS - 80 L/R	1000 x 800	940 x 740
SMSD2 - 100 B-L/R + SMPS - 100 L/R	1000 x 1000	940 x 940
SMSD2 - 110 B-L/R + SMPS - 80 L/R	1100 x 800	1040 x 740
SMSD2 - 120 B-L/R + SMPS - 80 L/R	1200 x 800	1140 x 740
SMSD2 - 120 B-L/R + SMPS - 90 L/R	1200 x 900	1140 x 840
SMSD2 - 120 B-L/R + SMPS - 90 L/R	1200 x 1000	1140 x 940

\* The values listed in the table assume that the tray is installed in accordance with the RAVAK assembly manual.

\*\* The values in the table apply to the inside edge of the glass.



# Matrix



5

5-YEAR WARRANTY ON ALL SHOWER ENCLOSURES AND DOORS

8/6 mm

GLASS THICKNESS



GLASS PROTECTION

The glass is protected by RAVAK AntiCalc® surface treatment technology.



EASY MAINTENANCE

No profiles or inaccessible places



**Refined to the last detail**

Minimalist geometric shapes of the handle, corner joint, and threshold strip stand out for their flawless craftsmanship.



**Stable top profile**

Provides a sufficiently strong structure, ensuring long-lasting durability

design **nosal**®

**Quality and luxury without compromise**

The design is minimalist—and almost futuristic—in every detail



**Sliding mechanism**

Silent opening, thanks to precise manufacturing and top-quality materials

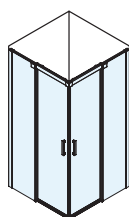


**Simple maintenance**

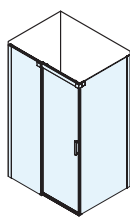
The barrier-free design leaves no space for dirt to accumulate and makes the shower enclosure easier to clean

**Easy maintenance**

Thanks to a protective RAVAK AntiCalc® layer, the glass stays clean for longer (no limescale sediments)



MSRV4



MSDPS



MSD2

Corner shower enclosures > 78

Shower doors > 82

# MSRV4 Four-piece corner entry shower enclosure



Elegant and practical handle



Stylish elements and robust upper profile for maximum stability



Comfortable entry into the enclosure without a bottom profile – only a threshold strip

## Clean design with sliding door opening

Modern, straight lines combined with a practical sliding door opening system is an excellent solution for medium-sized and small bathrooms.

### Don't miss it

- 1.** Recommended drains and shower channels: Chrome, 10°, and Runway stainless steel shower channels. Zebra plastic shower channel with stainless steel grid. SN501 plastic point drain with stainless steel grid.
- 2.** To install the product on a shower tray, we recommend using Perseus Pro Chrome.
- 3.** The fixed panels are made of 8 mm safety glass and the doors of 6 mm safety glass, both with patented RAVAK AntiCalc® treatment.
- 4.** Completely encased all-metal sliding system with ball bearings.

Shower channels → 298

Seats → 258

Taps → 538

Accessories → 650

Detergents → 693



# Matrix MSR4

## Finish



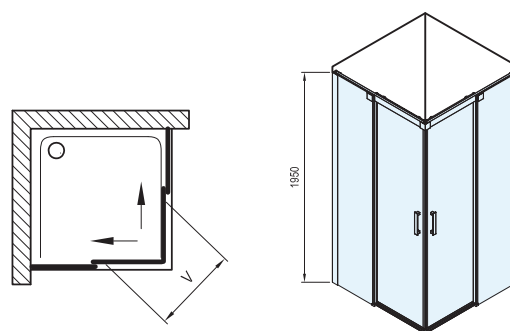
## Standard panel material



Height  
1950 mm

Order No.	Type	Frame	Panel	Product dimensions (mm)	„V“ entrance (mm)	Size of packaging (cm)	Gross weight (kg)
<b>1WV44100Z1</b>	MSRV4 80x80	white	transparent	785-805x785-805	430	69,5x11x201,5	65,3
<b>1WV44U00Z1</b>	MSRV4 80x80	satin	transparent	785-805x785-805	430	69,5x11x201,5	65,3
<b>1WV44C00Z1</b>	MSRV4 80x80	bright alu	transparent	785-805x785-805	430	69,5x11x201,5	65,3
<b>1WV77100Z1</b>	MSRV4 90x90	white	transparent	885-905x885-905	500	69,5x11x201,5	72,1
<b>1WV77U00Z1</b>	MSRV4 90x90	satin	transparent	885-905x885-905	500	69,5x11x201,5	72,1
<b>1WV77C00Z1</b>	MSRV4 90x90	bright alu	transparent	885-905x885-905	500	69,5x11x201,5	72,1
<b>1WVAA100Z1</b>	MSRV4 100x100	white	transparent	985-1005x985-1005	570	69,5x11x201,5	78,9
<b>1WVAAU00Z1</b>	MSRV4 100x100	satin	transparent	985-1005x985-1005	570	69,5x11x201,5	78,9
<b>1WVAAC00Z1</b>	MSRV4 100x100	bright alu	transparent	985-1005x985-1005	570	69,5x11x201,5	78,9

Products are delivered within 14 days as standard.  
Offer valid while stocks last.



# MSDPS Shower door with a fixed panel



Elegant and practical handle



Stylish elements and robust upper profile for maximum stability



Comfortable entry into the enclosure without a bottom profile – only a threshold strip

## Clean design with sliding door opening

Option to choose from various shower enclosure sizes in a square or rectangular layout.

### Don't miss it

- 1.** Recommended drains and shower channels: Chrome, 10°, and Runway stainless steel shower channels. Zebra plastic shower channel with stainless steel grid. SN501 plastic point drain with stainless steel grid.
- 2.** To install the product on a shower tray, we recommend using Perseus Pro Chrome or Gigant Pro Chrome.
- 3.** The fixed panels are made of 8 mm safety glass and the doors of 6 mm safety glass, both with patented RAVAK AntiCalc® treatment.
- 4.** Completely encased all-metal sliding system with ball bearings.

Shower channels → 298

Seats → 258

Taps → 538

Accessories → 650

Detergents → 693

# Matrix MSDPS



## Finish



## Standard panel material

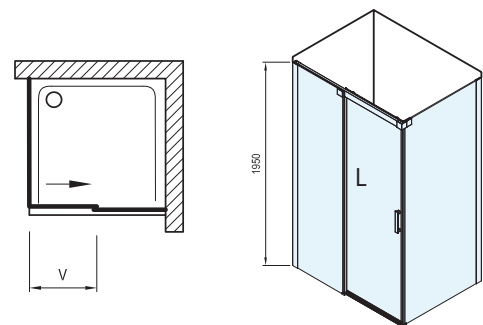


Height  
1950 mm



Order No.	Type	Frame	Panel	Product dimensions (mm)	„V“ entrance (mm)	Size of packaging (cm)	Gross weight (kg)
<b>OWLA4100Z1</b>	MSDPS 100x80 L	white	transparent	985-1005x785-805	429	78x11x200	77,0
<b>OWLA4U00Z1</b>	MSDPS 100x80 L	satin	transparent	985-1005x785-805	429	78x11x200	77,0
<b>OWLA4C00Z1</b>	MSDPS 100x80 L	bright alu	transparent	985-1005x785-805	429	78x11x200	77,0
<b>OWPA4100Z1</b>	MSDPS 100x80 R	white	transparent	985-1005x785-805	429	78x11x200	77,0
<b>OWPA4U00Z1</b>	MSDPS 100x80 R	satin	transparent	985-1005x785-805	429	78x11x200	77,0
<b>OWPA4C00Z1</b>	MSDPS 100x80 R	bright alu	transparent	985-1005x785-805	429	78x11x200	77,0
<b>OWLD4100Z1</b>	MSDPS 110x80 L	white	transparent	1085-1105x785-805	479	78x11x200	80,4
<b>OWLD4U00Z1</b>	MSDPS 110x80 L	satin	transparent	1085-1105x785-805	479	78x11x200	80,4
<b>OWLD4C00Z1</b>	MSDPS 110x80 L	bright alu	transparent	1085-1105x785-805	479	78x11x200	80,4
<b>OWPD4100Z1</b>	MSDPS 110x80 R	white	transparent	1085-1105x785-805	479	78x11x200	80,4
<b>OWPD4U00Z1</b>	MSDPS 110x80 R	satin	transparent	1085-1105x785-805	479	78x11x200	80,4
<b>OWPD4C00Z1</b>	MSDPS 110x80 R	bright alu	transparent	1085-1105x785-805	479	78x11x200	80,4
<b>OWLAA100Z1</b>	MSDPS 100x100 L	white	transparent	985-1005x985x1005	429	98x11x200	85,0
<b>OWLAAU00Z1</b>	MSDPS 100x100 L	satin	transparent	985-1005x985x1005	429	98x11x200	85,0
<b>OWLAAAC00Z1</b>	MSDPS 100x100 L	bright alu	transparent	985-1005x985x1005	429	98x11x200	85,0
<b>OWPAA100Z1</b>	MSDPS 100x100 R	white	transparent	985-1005x985x1005	429	98x11x200	85,0
<b>OWPAAU00Z1</b>	MSDPS 100x100 R	satin	transparent	985-1005x985x1005	429	98x11x200	85,0
<b>OWPAAAC00Z1</b>	MSDPS 100x100 R	bright alu	transparent	985-1005x985x1005	429	98x11x200	85,0
<b>OWLG4100Z1</b>	MSDPS 120x80 L	white	transparent	1185-1205x785-805	529	78x11x200	84,0
<b>OWLG4U00Z1</b>	MSDPS 120x80 L	satin	transparent	1185-1205x785-805	529	78x11x200	84,0
<b>OWLG4C00Z1</b>	MSDPS 120x80 L	bright alu	transparent	1185-1205x785-805	529	78x11x200	84,0
<b>OWPG4100Z1</b>	MSDPS 120x80 R	white	transparent	1185-1205x785-805	529	78x11x200	84,0
<b>OWPG4U00Z1</b>	MSDPS 120x80 R	satin	transparent	1185-1205x785-805	529	78x11x200	84,0
<b>OWPG4C00Z1</b>	MSDPS 120x80 R	bright alu	transparent	1185-1205x785-805	529	78x11x200	84,0
<b>OWLG7100Z1</b>	MSDPS 120x90 L	white	transparent	1185-1205x885-905	529	88x11x200	88,1
<b>OWLG7U00Z1</b>	MSDPS 120x90 L	satin	transparent	1185-1205x885-905	529	88x11x200	88,1
<b>OWLG7C00Z1</b>	MSDPS 120x90 L	bright alu	transparent	1185-1205x885-905	529	88x11x200	88,1
<b>OWPG7100Z1</b>	MSDPS 120x90 R	white	transparent	1185-1205x885-905	529	88x11x200	88,1
<b>OWPG7U00Z1</b>	MSDPS 120x90 R	satin	transparent	1185-1205x885-905	529	88x11x200	88,1
<b>OWPG7C00Z1</b>	MSDPS 120x90 R	bright alu	transparent	1185-1205x885-905	529	88x11x200	88,1

Products are delivered within 14 days as standard.  
Offer valid while stocks last.



# MSD2 Two-piece shower door



Elegant and practical handle



Stylish elements and robust upper profile for maximum stability



Comfortable entry into the enclosure without a bottom profile – only a threshold strip

## Clean design with sliding door opening

Ideal solution for creating a showering space in a bathroom recess 100 to 120 cm wide.

### Don't miss it

- 1.** Recommended drains and shower channels: Chrome, 10°, and Runway stainless steel shower channels. Zebra plastic shower channel with stainless steel grid. SN501 plastic point drain with stainless steel grid.
- 2.** To install the product on a shower tray, we recommend using Perseus Pro Chrome or Gigant Pro Chrome.
- 3.** The fixed panels are made of 8 mm safety glass and the doors of 6 mm safety glass, both with patented RAVAK AntiCalc® treatment.
- 4.** Completely encased all-metal sliding system with ball bearings.

Shower channels → 298

Seats → 258

Taps → 538

Accessories → 650

Detergents → 693



# Matrix MSD2

## Finish



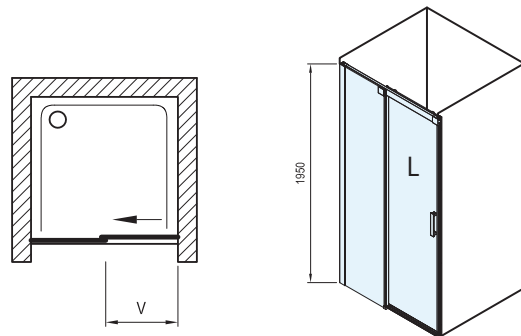
## Standard panel material



Height  
1950 mm

Order No.	Type	Frame	Panel	Product dimensions (mm)	„V“ entrance (mm)	Size of packaging (cm)	Gross weight (kg)
<b>OWLA0100Z1</b>	MSD2 100 L	white	transparent	975-1015	414	69,5x11x201,5	45,0
<b>OWLA0U00Z1</b>	MSD2 100 L	satin	transparent	975-1015	414	69,5x11x201,5	45,0
<b>OWLA0C00Z1</b>	MSD2 100 L	bright alu	transparent	975-1015	414	69,5x11x201,5	45,0
<b>OWPA0100Z1</b>	MSD2 100 R	white	transparent	975-1015	414	69,5x11x201,5	45,0
<b>OWPA0U00Z1</b>	MSD2 100 R	satin	transparent	975-1015	414	69,5x11x201,5	45,0
<b>OWPA0C00Z1</b>	MSD2 100 R	bright alu	transparent	975-1015	414	69,5x11x201,5	45,0
<b>OWLD0100Z1</b>	MSD2 110 L	white	transparent	1075-1115	464	69,5x11x201,5	48,4
<b>OWLD0U00Z1</b>	MSD2 110 L	satin	transparent	1075-1115	464	69,5x11x201,5	48,4
<b>OWLD0C00Z1</b>	MSD2 110 L	bright alu	transparent	1075-1115	464	69,5x11x201,5	48,4
<b>OWPD0100Z1</b>	MSD2 110 R	white	transparent	1075-1115	464	69,5x11x201,5	48,4
<b>OWPD0U00Z1</b>	MSD2 110 R	satin	transparent	1075-1115	464	69,5x11x201,5	48,4
<b>OWPD0C00Z1</b>	MSD2 110 R	bright alu	transparent	1075-1115	464	69,5x11x201,5	48,4
<b>OWLG0100Z1</b>	MSD2 120 L	white	transparent	1175-1215	514	69,5x11x201,5	52,1
<b>OWLG0U00Z1</b>	MSD2 120 L	satin	transparent	1175-1215	514	69,5x11x201,5	52,1
<b>OWLG0C00Z1</b>	MSD2 120 L	bright alu	transparent	1175-1215	514	69,5x11x201,5	52,1
<b>OWPG0100Z1</b>	MSD2 120 R	white	transparent	1175-1215	514	69,5x11x201,5	52,1
<b>OWPG0U00Z1</b>	MSD2 120 R	satin	transparent	1175-1215	514	69,5x11x201,5	52,1
<b>OWPG0C00Z1</b>	MSD2 120 R	bright alu	transparent	1175-1215	514	69,5x11x201,5	52,1

Products are delivered within 14 days as standard.  
Offer valid while stocks last.

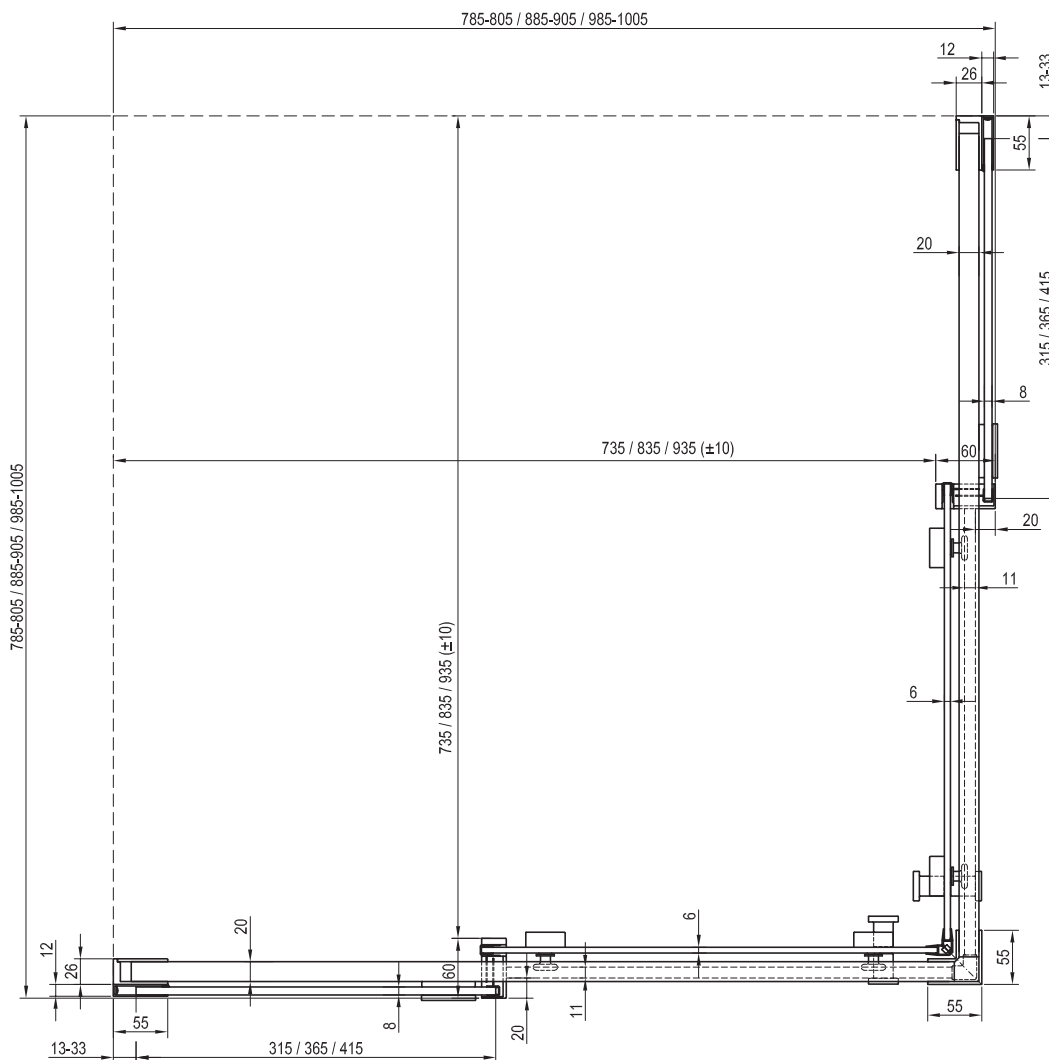


# MSRV4 Construction prerequisites

Type	Mounting onto a tray* Recommended shower tray size (mm)	Floor mounting** Recommended size of inclined area (mm)
<b>MSRV4 - 80</b>	800 x 800	735 x 735
<b>MSRV4 - 90</b>	900 x 900	835 x 835
<b>MSRV4 - 100</b>	1000 x 1000	935 x 935

\* The values listed in the table assume that the tray is installed in accordance with the RAVAK assembly manual.

\*\* The values in the table apply to the inside edge of the glass.

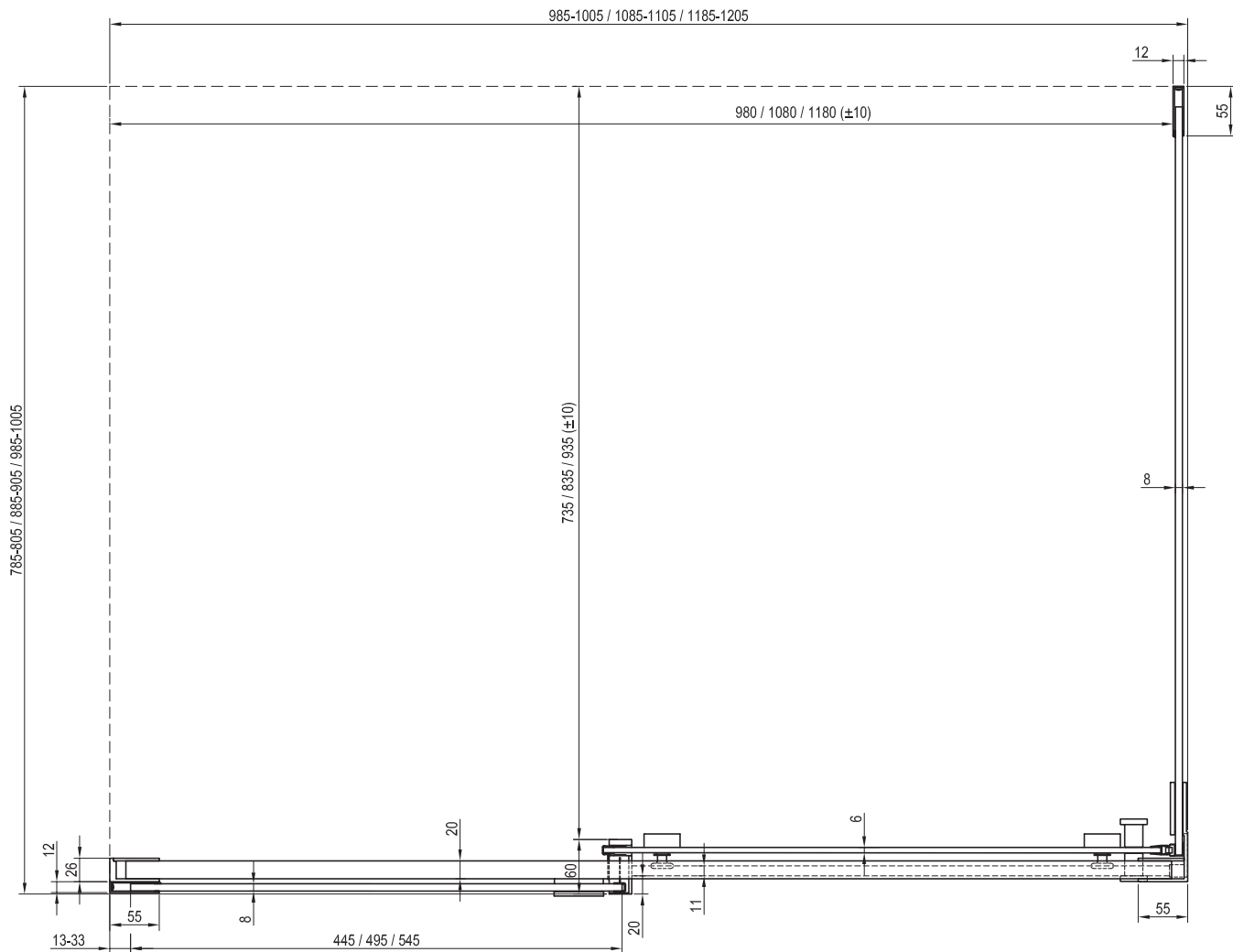


# MSDPS Construction prerequisites

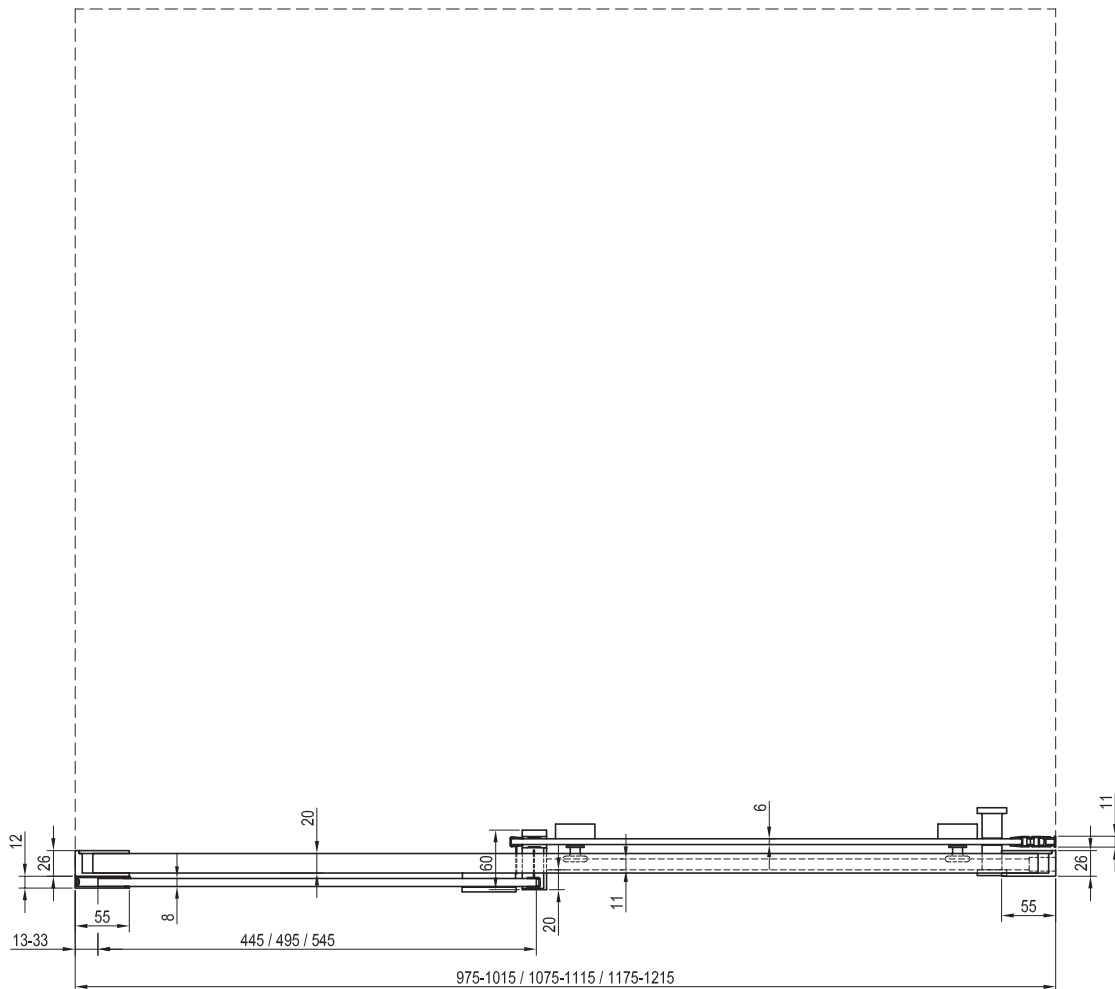
Type	Mounting onto a tray* Recommended shower tray size (mm)	Floor mounting** Recommended size of inclined area (mm)
MSDPS - 100/80 L/R	1000 x 800	980 x 735
MSDPS - 100/100 L/R	1000 x 1000	980 x 935
MSDPS - 110/80 L/R	1100 x 800	1080 x 735
MSDPS - 120/80 L/R	1200 x 800	1180 x 735
MSDPS - 120/90 L/R	1200 x 900	1180 x 835

\* The values listed in the table assume that the tray is installed in accordance with the RAVAK assembly manual.

\*\* The values in the table apply to the inside edge of the glass.



# MSD2 Construction prerequisites





# Chrome



**5** 5-YEAR WARRANTY ON ALL SHOWER ENCLOSURES AND DOORS

**6 mm** GLASS THICKNESS

**GLASS PROTECTION**  
The glass is protected by RAVAK AntiCalc® surface treatment technology.

**CONCEPTS**  
A perfectly harmonious whole

**LIFTING MECHANISM**  
Lifts the door and secures it in its basic position



**Matching design**

The harmonic shape of an oval brings the handle, rotary column and fixed screen holder into a perfect aesthetic whole



**Door opens both in and out**

Allows for airing of the shower enclosure after use



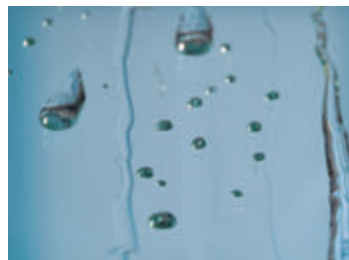
**Maximum stability**

Thanks to a flexible screen support that can be adjusted to compensate for uneven walls in the bathroom



**Watertightness**

Excellent watertightness is ensured by the bottom drip rail and 10 mm high threshold strip

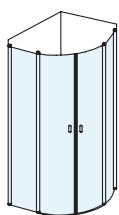


**Easy maintenance**

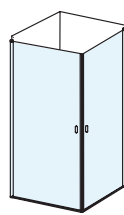
Thanks to a protective RAVAK AntiCalc® layer, the glass stays clean for longer (no limescale sediments)

**The broadest bathroom range**

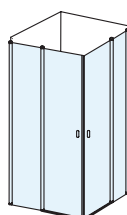
Chrome shower enclosures are a part of a broad concept that includes over 200 items, from towel hooks to shower enclosures



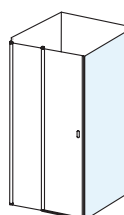
CSKK4



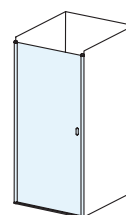
CRV1 + CRV1



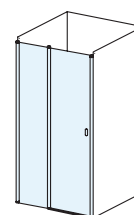
CRV2 + CRV2



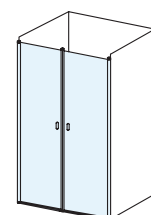
CPS



CSD1

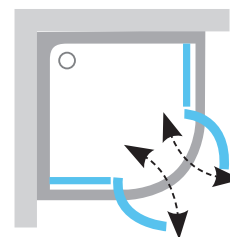


CSD2



CSDL2

# CSKK4 Four-piece quadrant shower enclosure



Option to “air” the enclosure – the door opens both inwards and outwards



Part of the Chrome concept



The extended wall profile allows the product to be widened by 20 mm, up to a total of 40 mm

## Refined original design

Absence of bottom and top profiles, combined with the unifying oval shape, gives Chrome shower enclosures their original look.

### Don't miss it

- 1.**  
Recommended shower trays:  
Ronda, Elipso, Elipso Pro,  
Elipso Pro Flat, Elipso Pro  
Chrome.
- 2.**  
6 mm safety glass with  
patented RAVAK AntiCalc®  
treatment.
- 3.**  
2 metal screen support bars  
included.
- 4.**  
Radius: 500 mm.

Shower trays → 266

Shower channels → 298

Seats → 258

Taps → 538

Accessories → 650



5-YEAR WARRANTY



GLASS THICKNESS



LIFTING MECHANISM



CONCEPTS



GLASS PROTECTION ANTICALC

# Chrome CSKK4

## Finish



BRIGHT ALU

SATIN

## Standard panel material



TRANSPARENT

## Non-standard panel material



TRANSPARENT

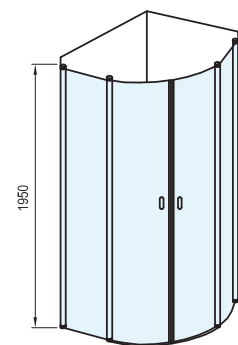
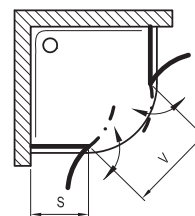
Height  
1950 mm

Order No.	Type	Frame	Panel	Product dimensions (mm)	„S“ dimension (mm)	„V“ entrance (mm)	Size of packaging (cm)	Gross weight (kg)
<b>3Q140C00Z1</b>	CSKK4 80x80	bright alu	transparent	780-800x780-800	300	635	67x16x193	52,8
<b>3Q140U00Z1</b>	CSKK4 80x80	satın	transparent	780-800x780-800	300	635	67x16x193	52,8
<b>3Q170C00Z1</b>	CSKK4 90x90	bright alu	transparent	880-900x880-900	400	635	67x16x193	59,2
<b>3Q170U00Z1</b>	CSKK4 90x90	satın	transparent	880-900x880-900	400	635	67x16x193	59,2

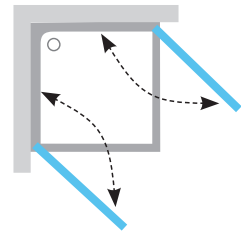
Products are delivered within 14 days as standard. Offer valid while stocks last.  
2 metal screen support bars included. Enclosure radius: R500.

## Extension profiles

Order No.	Type	Frame	Product dimensions (mm)	Size of packaging (cm)	Gross weight (kg)
<b>E778801C19470</b>	CNPS	bright alu	53x30x1947	3,5x55x195	1,2
<b>E778801U19470</b>	CNPS	satın	53x30x1947	3,5x55x195	1,2



**CRV1 + CRV1** Corner shower enclosure



Option to “air” the enclosure – the door opens both inwards and outwards



Part of the Chrome concept



The extended wall profile allows the product to be widened by 20 mm, up to a total of 40 mm

**Refined original design**

Option to choose from various shower enclosure sizes in a square or rectangular layout, using either two doors, or one door combined with a fixed panel.

**Don't miss it**

- 1. Recommended drains and shower channels: Chrome, 10°, and Runway stainless steel shower channels. Zebra plastic shower channel with stainless steel grid. SN501 plastic point drain with stainless steel grid.
- 2. Recommended shower trays: Perseus Pro, Perseus Pro Flat, Perseus Pro Chrome, Perseus Pro 10°, Gigant, Gigant Pro, Gigant Pro Flat, Gigant Pro Chrome, Gigant Pro 10°.
- 3. To complete a shower enclosure, either two items from this product (CRV1 + CRV1) must be ordered, or the product must be combined with a fixed panel (CRV1 + CPS).
- 4. Extended CNPS wall profile for widening the shower door by 20 - 40 mm.

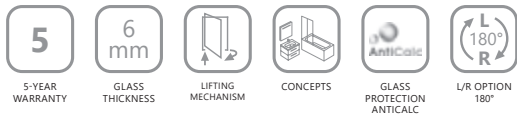
Shower trays → 266

Shower channels → 298

Seats → 258

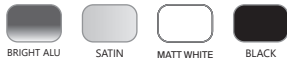
Taps → 538

Accessories → 650



# Chrome CRV1 + CRV1

## Finish



## Standard panel material



## Non-standard panel material



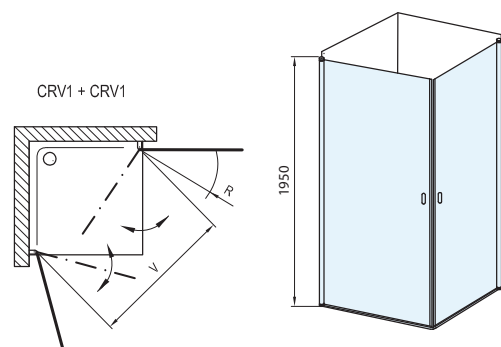
Height  
1950 mm

Order No.	Type	Frame	Panel	Product dimensions (mm)	„V“ entrance (mm)	Size of packaging (cm)	Gross weight (kg)
<b>1QV40E01Z1</b>	CRV1 80	matt white	transparent	780-800	969	78x6x198	28,8
<b>1QV40301Z1</b>	CRV1 80	black	transparent	780-800	969	78x6x198	28,8
<b>1QV40C01Z1</b>	CRV1 80	bright alu	transparent	780-800	969	78x6x198	28,8
<b>1QV40U01Z1</b>	CRV1 80	satin	transparent	780-800	969	78x6x198	28,8
<b>1QV70E01Z1</b>	CRV1 90	matt white	transparent	880-900	1110	88x6x198	32,2
<b>1QV70301Z1</b>	CRV1 90	black	transparent	880-900	1110	88x6x198	32,2
<b>1QV70C01Z1</b>	CRV1 90	bright alu	transparent	880-900	1110	88x6x198	32,2
<b>1QV70U01Z1</b>	CRV1 90	satin	transparent	880-900	1110	88x6x198	32,2
<b>1QVA0E01Z1</b>	CRV1 100	matt white	transparent	980-1000	1251	98x6x208	35,7
<b>1QVA0301Z1</b>	CRV1 100	black	transparent	980-1000	1251	98x6x208	35,7
<b>1QVA0C01Z1</b>	CRV1 100	bright alu	transparent	980-1000	1251	98x6x208	35,7
<b>1QVA0U01Z1</b>	CRV1 100	satin	transparent	980-1000	1251	98x6x208	35,7

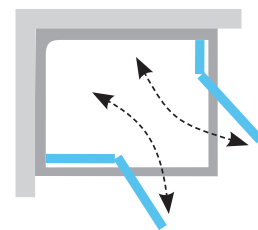
Products are delivered within 14 days as standard.

## Extension profiles

Order No.	Type	Frame	Product dimensions (mm)	Size of packaging (cm)	Gross weight (kg)
<b>E778801E19470</b>	CNPS	matt white	53x30x1947	3,5x55x195	1,2
<b>E778801319470</b>	CNPS	black	53x30x1947	3,5x55x195	1,2
<b>E778801C19470</b>	CNPS	bright alu	53x30x1947	3,5x55x195	1,2
<b>E778801U19470</b>	CNPS	satin	53x30x1947	3,5x55x195	1,2



# CRV2 + CRV2 Corner shower enclosure



Option to “air” the enclosure – the door opens both inwards and outwards



Part of the Chrome concept



The extended wall profile allows the product to be widened by 20 mm, up to a total of 40 mm

## Refined original design

Option to choose from various shower enclosure sizes in a square or rectangular layout, using either two doors, or one door combined with a fixed panel.

### Don't miss it

1. Recommended drains and shower channels: Chrome, 10°, and Runway stainless steel shower channels. Zebra plastic shower channel with stainless steel grid. SN501 plastic point drain with stainless steel grid.
2. Recommended shower trays: Perseus Pro, Perseus Pro Flat, Perseus Pro Chrome, Perseus Pro 10°, Gigant, Gigant Pro, Gigant Pro Flat, Gigant Pro Chrome, Gigant Pro 10°.
3. To complete a shower enclosure, either two items from this product (CRV2 + CRV2) must be ordered, or the product must be combined with a fixed panel (CRV2 + CPS).
4. Extended CNPS wall profile for widening the shower door by 20 - 40 mm.
5. 1 metal screen support bar included.

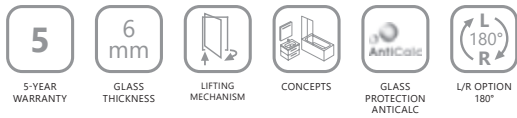
Shower trays → 266

Shower channels → 298

Seats → 258

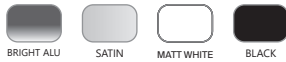
Taps → 538

Accessories → 650



# Chrome CRV2 + CRV2

## Finish



## Standard panel material



## Non-standard panel material



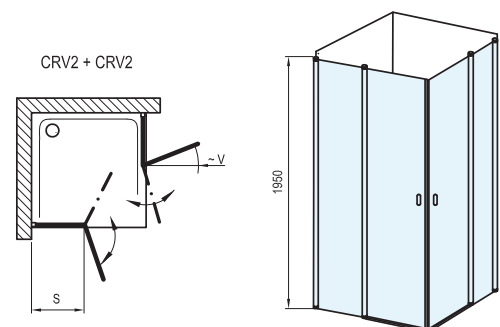
Height  
1950 mm

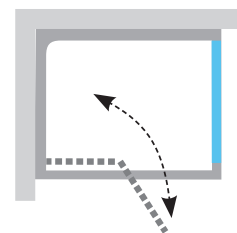
Order No.	Type	Frame	Panel	Product dimensions (mm)	„S“ dimension (mm)	„V“ entrance (mm)	Size of packaging (cm)	Gross weight (kg)
1QV40E00Z1	CRV2 80	matt white	transparent	780-800	300	647	69,5x11x201,5	33,8
1QV40300Z1	CRV2 80	black	transparent	780-800	300	647	69,5x11x201,5	33,8
1QV40C00Z1	CRV2 80	bright alu	transparent	780-800	300	647	69,5x11x201,5	33,8
1QV40U00Z1	CRV2 80	satin	transparent	780-800	300	647	69,5x11x201,5	33,8
1QV70E00Z1	CRV2 90	matt white	transparent	880-900	400	647	69,5x11x201,5	36,9
1QV70300Z1	CRV2 90	black	transparent	880-900	400	647	69,5x11x201,5	36,9
1QV70C00Z1	CRV2 90	bright alu	transparent	880-900	400	647	69,5x11x201,5	36,9
1QV70U00Z1	CRV2 90	satin	transparent	880-900	400	647	69,5x11x201,5	36,9
1QVA0E00Z1	CRV2 100	matt white	transparent	980-1000	500	647	97x6x193	39,9
1QVA0300Z1	CRV2 100	black	transparent	980-1000	500	647	97x6x193	39,9
1QVA0C00Z1	CRV2 100	bright alu	transparent	980-1000	500	647	97x6x193	39,9
1QVA0U00Z1	CRV2 100	satin	transparent	980-1000	500	647	97x6x193	39,9
1QVD0E00Z1	CRV2 110	matt white	transparent	1080-1100	500	789	107x6x193	42,9
1QVD0300Z1	CRV2 110	black	transparent	1080-1100	500	789	107x6x193	42,9
1QVD0C00Z1	CRV2 110	bright alu	transparent	1080-1100	500	789	107x6x193	42,9
1QVD0U00Z1	CRV2 110	satin	transparent	1080-1100	500	789	107x6x193	42,9
1QVG0E00Z1	CRV2 120	matt white	transparent	1180-1200	600	789	117x6x193	45,9
1QVG0300Z1	CRV2 120	black	transparent	1180-1200	600	789	117x6x193	45,9
1QVG0C00Z1	CRV2 120	bright alu	transparent	1180-1200	600	789	117x6x193	45,9
1QVG0U00Z1	CRV2 120	satin	transparent	1180-1200	600	789	117x6x193	45,9

Products are delivered within 14 days as standard. Offer valid while stocks last.  
Metal screen support bar included.

## Extension profiles

Order No.	Type	Frame	Product dimensions (mm)	Size of packaging (cm)	Gross weight (kg)
E778801E19470	CNPS	matt white	53x30x1947	3,5x55x195	1,2
E778801319470	CNPS	black	53x30x1947	3,5x55x195	1,2
E778801C19470	CNPS	bright alu	53x30x1947	3,5x55x195	1,2
E778801U19470	CNPS	satin	53x30x1947	3,5x55x195	1,2





Flexible combinations of fixed panels and shower doors



Part of the Chrome concept



The extended wall profile allows the product to be widened by 20 mm, up to a total of 40 mm

## Refined original design

The space next to the fixed panel can serve as the perfect spot for your washing machine, washbasin, or toilet.

### Don't miss it

1. Recommended drains and shower channels: Chrome, 10°, and Runway stainless steel shower channels. Zebra plastic shower channel with stainless steel grid. SN501 plastic point drain with stainless steel grid.
2. Recommended shower trays: Perseus Pro, Perseus Pro Flat, Perseus Pro Chrome, Perseus Pro 10°, Gigant, Gigant Pro, Gigant Pro Flat, Gigant Pro Chrome, Gigant Pro 10°.
3. The product is not designed for standalone use and must be installed alongside a CRV1 or CRV2 shower door. In these combinations, the door can only be opened outwards.
4. Extended CNPS wall profile for CPS for widening the fixed panel by 20-40 mm.
5. 1 metal screen support bar included.

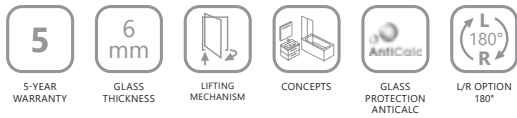
Shower trays → 266

Shower channels → 298

Seats → 258

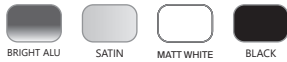
Taps → 538

Accessories → 650



# Chrome CPS

## Finish



## Standard panel material



## Non-standard panel material



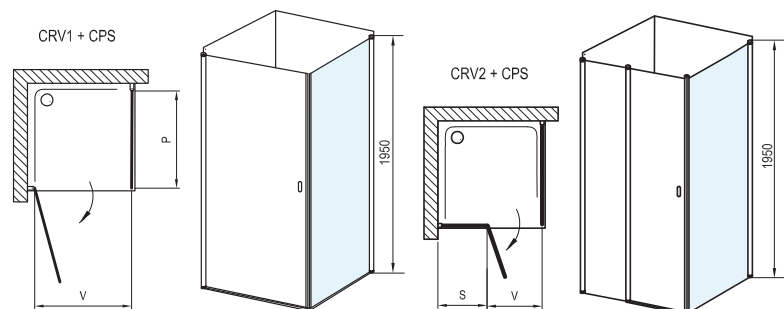
Height  
1950 mm

Order No.	Type	Frame	Panel	Product dimensions (mm)	Size of packaging (cm)	Gross weight (kg)
<b>9QV40E00Z1</b>	CPS 80	matt white	transparent	780-800	79x6,5x200	28,6
<b>9QV40300Z1</b>	CPS 80	black	transparent	780-800	79x6,5x200	28,6
<b>9QV40C00Z1</b>	CPS 80	bright alu	transparent	780-800	79x6,5x200	28,6
<b>9QV40U00Z1</b>	CPS 80	satin	transparent	780-800	79x6,5x200	28,6
<b>9QV70E00Z1</b>	CPS 90	matt white	transparent	880-900	89x6,5x200	32,0
<b>9QV70300Z1</b>	CPS 90	black	transparent	880-900	89x6,5x200	32,0
<b>9QV70C00Z1</b>	CPS 90	bright alu	transparent	880-900	89x6,5x200	32,0
<b>9QV70U00Z1</b>	CPS 90	satin	transparent	880-900	89x6,5x200	32,0
<b>9QVA0E00Z1</b>	CPS 100	matt white	transparent	980-1000	99x6,5x200	35,5
<b>9QVA0300Z1</b>	CPS 100	black	transparent	980-1000	99x6,5x200	35,5
<b>9QVA0C00Z1</b>	CPS 100	bright alu	transparent	980-1000	99x6,5x200	35,5
<b>9QVA0U00Z1</b>	CPS 100	satin	transparent	980-1000	99x6,5x200	35,5

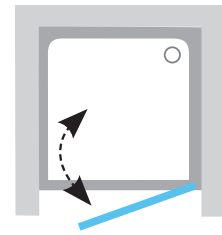
Products are delivered within 14 days as standard.  
Metal screen support bar included.

## Extension profiles

Order No.	Type	Frame	Product dimensions (mm)	Size of packaging (cm)	Gross weight (kg)
<b>E778801E19470</b>	CNPS	matt white	53x30x1947	3,5x55x195	1,2
<b>E778801319470</b>	CNPS	black	53x30x1947	3,5x55x195	1,2
<b>E778801C19470</b>	CNPS	bright alu	53x30x1947	3,5x55x195	1,2
<b>E778801U19470</b>	CNPS	satin	53x30x1947	3,5x55x195	1,2



**CSD1** One-piece shower door



Option to “air” the enclosure – the door opens both inwards and outwards



Part of the Chrome concept



The extended wall profile allows the product to be widened by 20 mm, up to a total of 40 mm

**Refined original design**

Ideal solution for creating a showering space in a bathroom recess 80 to 90 cm wide.

**Don't miss it**

1. Recommended drains and shower channels: Chrome, 10°, and Runway stainless steel shower channels. Zebra plastic shower channel with stainless steel grid. SN501 plastic point drain with stainless steel grid.
2. Recommended shower trays: Perseus Pro, Perseus Pro Flat, Perseus Pro Chrome, Perseus Pro 10°, Gigant, Gigant Pro, Gigant Pro Flat, Gigant Pro Chrome, Gigant Pro 10°.
3. Cannot be combined with CPS.
4. Extended CNPS wall profile for widening the shower door by 20 - 40 mm.

Shower trays → 266

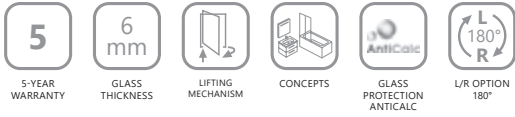
Shower channels → 298

Seats → 258

Taps → 538

Accessories → 650

# Chrome CSD1



## Finish



## Standard panel material



## Non-standard panel material



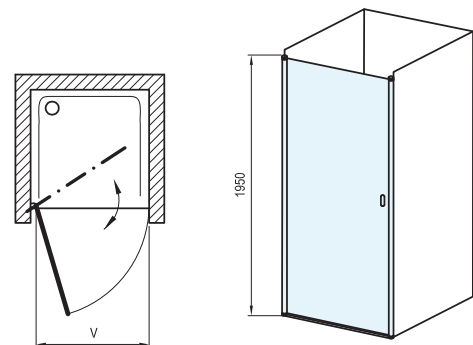
Height  
1950 mm

Order No.	Type	Frame	Panel	Product dimensions (mm)	„V“ entrance (mm)	Size of packaging (cm)	Gross weight (kg)
<b>OQV40E00Z1</b>	CSD1 80	matt white	transparent	775-805	635	117x8x193	29,7
<b>OQV40300Z1</b>	CSD1 80	black	transparent	775-805	635	117x8x193	29,7
<b>OQV40C00Z1</b>	CSD1 80	bright alu	transparent	775-805	635	117x8x193	29,7
<b>OQV40U00Z1</b>	CSD1 80	satin	transparent	775-805	635	117x8x193	29,7
<b>OQV70E00Z1</b>	CSD1 90	matt white	transparent	875-905	755	117x8x193	33,1
<b>OQV70300Z1</b>	CSD1 90	black	transparent	875-905	755	117x8x193	33,1
<b>OQV70C00Z1</b>	CSD1 90	bright alu	transparent	875-905	755	117x8x193	33,1
<b>OQV70U00Z1</b>	CSD1 90	satin	transparent	875-905	755	117x8x193	33,1

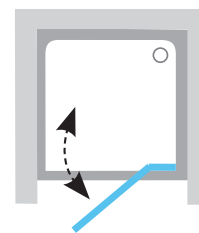
Products are delivered within 14 days as standard.

## Extension profiles

Order No.	Type	Frame	Product dimensions (mm)	Size of packaging (cm)	Gross weight (kg)
<b>E778801E19470</b>	CNPS	matt white	53x30x1947	3,5x55x195	1,2
<b>E778801319470</b>	CNPS	black	53x30x1947	3,5x55x195	1,2
<b>E778801C19470</b>	CNPS	bright alu	53x30x1947	3,5x55x195	1,2
<b>E778801U19470</b>	CNPS	satin	53x30x1947	3,5x55x195	1,2



**CSD2** Two-piece shower door



Option to “air” the enclosure – the door opens both inwards and outwards



Part of the Chrome concept



The extended wall profile allows the product to be widened by 20 mm, up to a total of 40 mm

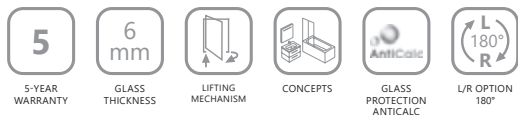
**Refined original design**

Ideal solution for creating a showering space in a bathroom recess 100 to 120 cm wide.

**Don't miss it**

- 1.** Recommended drains and shower channels: Chrome, 10°, and Runway stainless steel shower channels. Zebra plastic shower channel with stainless steel grid. SN501 plastic point drain with stainless steel grid.
- 2.** Recommended shower trays: Perseus Pro, Perseus Pro Flat, Perseus Pro Chrome, Perseus Pro 10°, Gigant, Gigant Pro, Gigant Pro Flat, Gigant Pro Chrome, Gigant Pro 10°.
- 3.** Cannot be combined with CPS.
- 4.** Extended CNPS wall profile for widening the shower door by 20 - 40 mm.
- 5.** 1 metal screen support bar included.

Shower trays → 266	Shower channels → 298	Seats → 258	Taps → 538	Accessories → 650
--------------------	-----------------------	-------------	------------	-------------------



# Chrome CSD2

## Finish



## Standard panel material



## Non-standard panel material



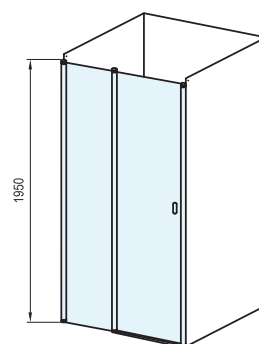
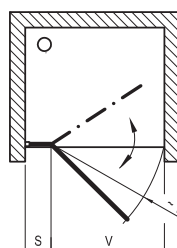
Height  
1950 mm

Order No.	Type	Frame	Panel	Product dimensions (mm)	„S“ dimension (mm)	„V“ entrance (mm)	Size of packaging (cm)	Gross weight (kg)
<b>OQVACE00Z1</b>	CSD2 100	matt white	transparent	975-1005	269	655	117x8x193	33,9
<b>OQVAC300Z1</b>	CSD2 100	black	transparent	975-1005	269	655	117x8x193	33,9
<b>OQVACC00Z1</b>	CSD2 100	bright alu	transparent	975-1005	269	655	117x8x193	37,7
<b>OQVACU00Z1</b>	CSD2 100	satin	transparent	975-1005	269	655	117x8x193	37,7
<b>OQVDCE00Z1</b>	CSD2 110	matt white	transparent	1075-1105	369	655	117x8x193	40,4
<b>OQVDC300Z1</b>	CSD2 110	black	transparent	1075-1105	369	655	117x8x193	40,4
<b>OQVDC00Z1</b>	CSD2 110	bright alu	transparent	1075-1105	369	655	117x8x193	40,4
<b>OQVDCU00Z1</b>	CSD2 110	satin	transparent	1075-1105	369	655	117x8x193	40,4
<b>OQVGCE00Z1</b>	CSD2 120	matt white	transparent	1175-1205	469	655	117x8x193	43,8
<b>OQVGC300Z1</b>	CSD2 120	black	transparent	1175-1205	469	655	117x8x193	43,8
<b>OQVGC00Z1</b>	CSD2 120	bright alu	transparent	1175-1205	469	655	117x8x193	43,8
<b>OQVGCU00Z1</b>	CSD2 120	satin	transparent	1175-1205	469	655	117x8x193	43,9

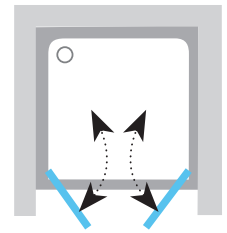
Products are delivered within 14 days as standard.  
Metal screen support bar included.

## Extension profiles

Order No.	Type	Frame	Product dimensions (mm)	Size of packaging (cm)	Gross weight (kg)
<b>E778801E19470</b>	CNPS	matt white	53x30x1947	3,5x55x195	1,2
<b>E778801319470</b>	CNPS	black	53x30x1947	3,5x55x195	1,2
<b>E778801C19470</b>	CNPS	bright alu	53x30x1947	3,5x55x195	1,2
<b>E778801U19470</b>	CNPS	satin	53x30x1947	3,5x55x195	1,2



# CSDL2 Two-piece shower door



Option to “air” the enclosure – the door opens both inwards and outwards



Part of the Chrome concept



The extended wall profile allows the product to be widened by 20 mm, up to a total of 40 mm

## Refined original design

Ideal solution for creating a showering space in a bathroom recess 90 to 120 cm wide.

### Don't miss it

1. Recommended drains and shower channels: Chrome, 10°, and Runway stainless steel shower channels. Zebra plastic shower channel with stainless steel grid. SN501 plastic point drain with stainless steel grid.
2. Recommended shower trays: Perseus Pro, Perseus Pro Flat, Perseus Pro Chrome, Perseus Pro 10°, Gigant, Gigant Pro, Gigant Pro Flat, Gigant Pro Chrome, Gigant Pro 10°.
3. Cannot be combined with CPS.
4. Extended CNPS wall profile for widening the shower door by 20 - 40 mm.

Shower trays → 266

Shower channels → 298

Seats → 258

Taps → 538

Accessories → 650



5-YEAR WARRANTY



GLASS THICKNESS



LIFTING MECHANISM



CONCEPTS



GLASS PROTECTION ANTICALC

# Chrome CSDL2

## Finish



BRIGHT ALU



SATIN



MATT WHITE



BLACK

## Standard panel material



TRANSPARENT

## Non-standard panel material



GRAPHITE



GRAPE



MATELUX



MATRIX



TRANSPARENT

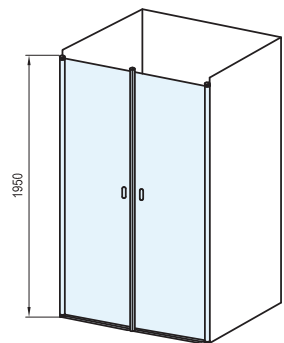
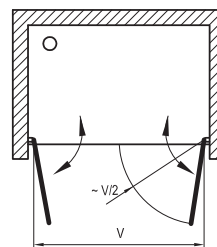
Height  
1950 mm

Order No.	Type	Frame	Panel	Product dimensions (mm)	„V“ entrance (mm)	Size of packaging (cm)	Gross weight (kg)
<b>OQV7CE0LZ1</b>	CSDL2 90	matt white	transparent	875-905	720	62x8x200	38,2
<b>OQV7C30LZ1</b>	CSDL2 90	black	transparent	875-905	720	62x8x200	38,2
<b>OQV7CC0LZ1</b>	CSDL2 90	bright alu	transparent	875-905	720	62x8x200	38,2
<b>OQV7CU0LZ1</b>	CSDL2 90	satın	transparent	875-905	720	62x8x200	38,2
<b>OQVACE0LZ1</b>	CSDL2 100	matt white	transparent	975-1005	820	62x8x200	41,2
<b>OQVAC30LZ1</b>	CSDL2 100	black	transparent	975-1005	820	62x8x200	41,2
<b>OQVACC0LZ1</b>	CSDL2 100	bright alu	transparent	975-1005	820	62x8x200	41,2
<b>OQVACU0LZ1</b>	CSDL2 100	satın	transparent	975-1005	820	62x8x200	41,2
<b>OQVDCE0LZ1</b>	CSDL2 110	matt white	transparent	1075-1105	920	62x8x200	44,0
<b>OQVDC30LZ1</b>	CSDL2 110	black	transparent	1075-1105	920	62x8x200	44,0
<b>OQVDC0LZ1</b>	CSDL2 110	bright alu	transparent	1075-1105	920	62x8x200	44,0
<b>OQVDCU0LZ1</b>	CSDL2 110	satın	transparent	1075-1105	920	62x8x200	44,0
<b>OQVGCE0LZ1</b>	CSDL2 120	matt white	transparent	1175-1205	1020	117x8x193	47,0
<b>OQVGC30LZ1</b>	CSDL2 120	black	transparent	1175-1205	1020	117x8x193	47,0
<b>OQVGCC0LZ1</b>	CSDL2 120	bright alu	transparent	1175-1205	1020	117x8x193	47,0
<b>OQVGCU0LZ1</b>	CSDL2 120	satın	transparent	1175-1205	1020	117x8x193	47,0

Products are delivered within 14 days as standard.

## Extension profiles

Order No.	Type	Frame	Product dimensions (mm)	Size of packaging (cm)	Gross weight (kg)
<b>E778801E19470</b>	CNPS	matt white	53x30x1947	3,5x55x195	1,2
<b>E778801319470</b>	CNPS	black	53x30x1947	3,5x55x195	1,2
<b>E778801C19470</b>	CNPS	bright alu	53x30x1947	3,5x55x195	1,2
<b>E778801U19470</b>	CNPS	satın	53x30x1947	3,5x55x195	1,2

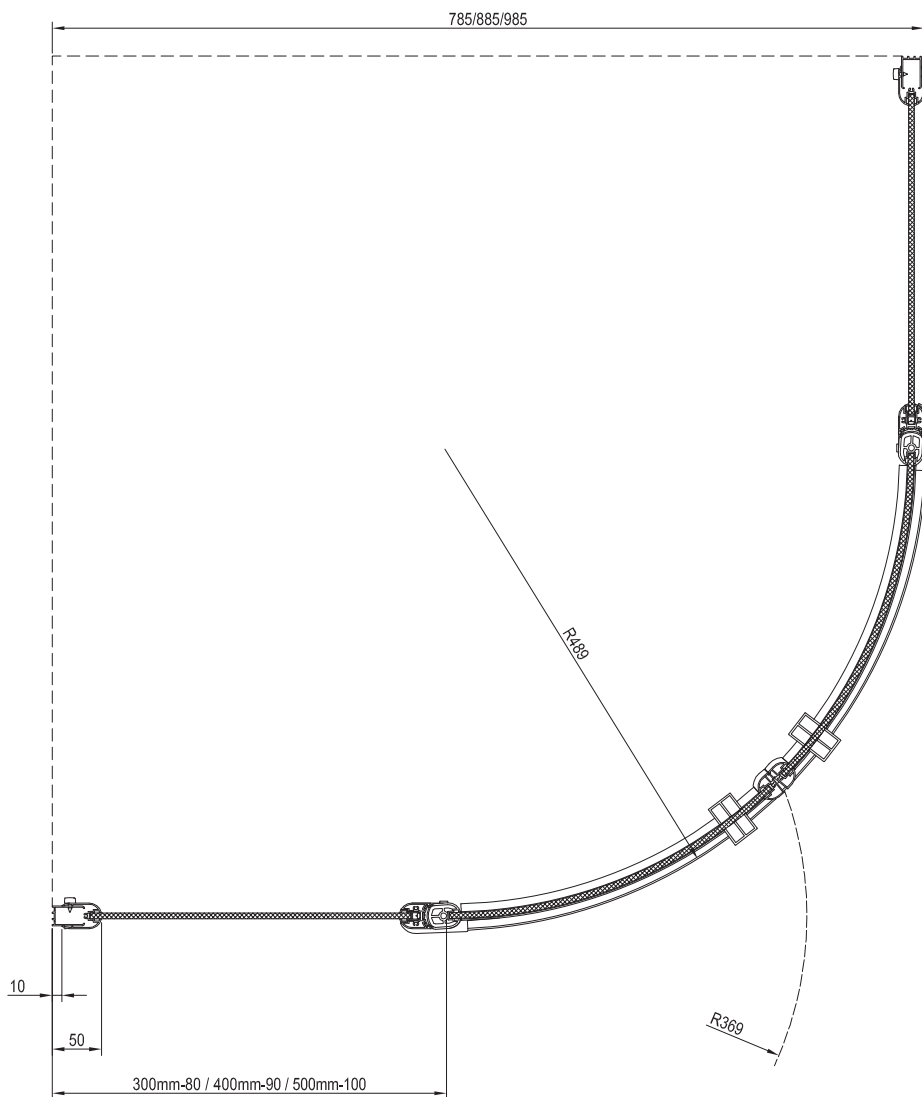


# CSKK4 Construction prerequisites

Type	Mounting onto a tray* Recommended shower tray size (mm)	Floor mounting** Recommended size of inclined area (mm)
<b>CSKK4 - 80</b>	800 x 800, R 500	In accordance with technical drawings
<b>CSKK4 - 90</b>	900 x 900, R 500	In accordance with technical drawings

\* The values listed in the table assume that the tray is installed in accordance with the RAVAK assembly manual.

\*\* The values in the table apply to the inside edge of the glass.

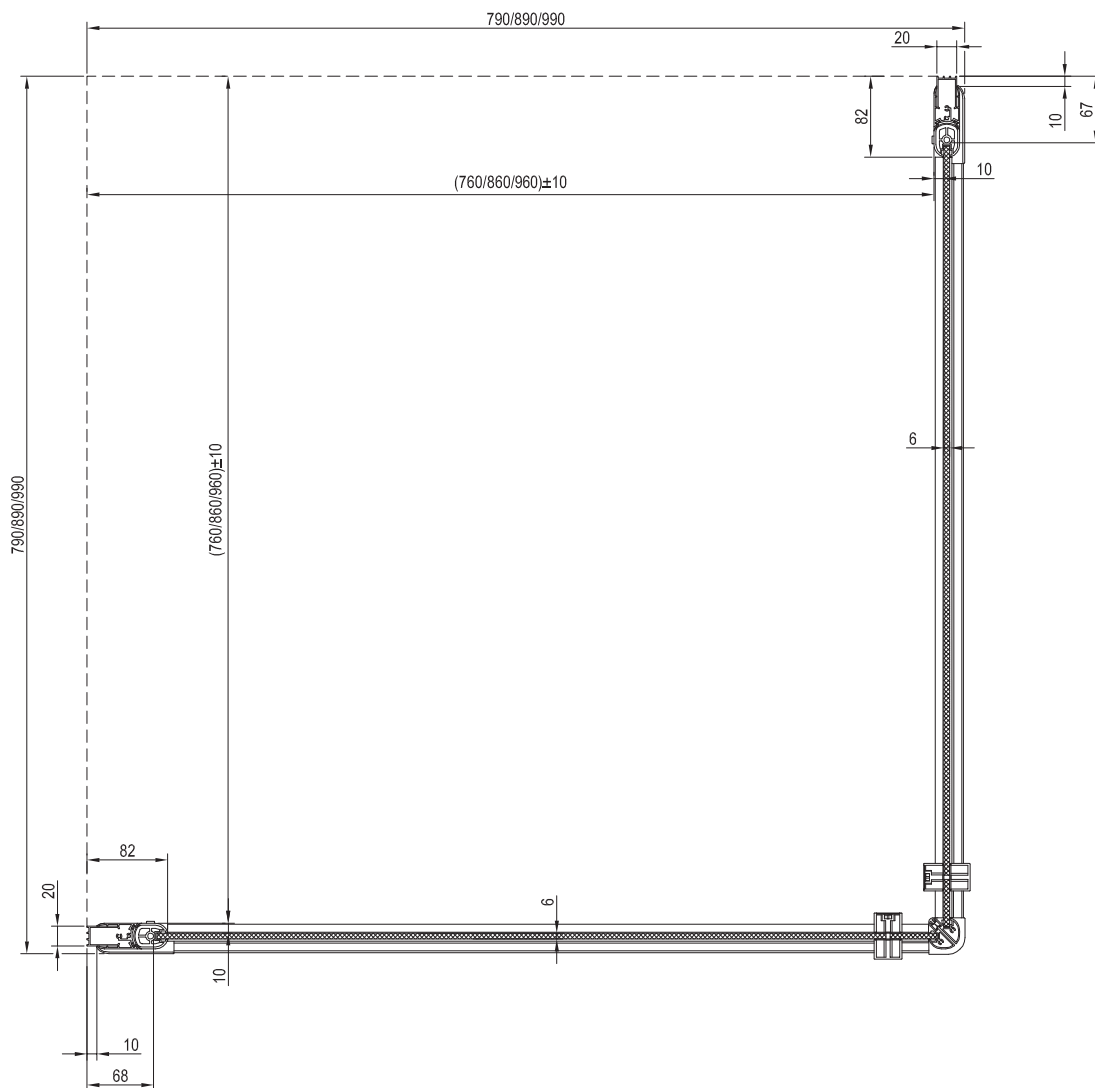


# CRV1 + CRV1 Construction prerequisites

Type	Mounting onto a tray* Recommended shower tray size (mm)	Floor mounting** Recommended size of inclined area (mm)
CRV1 - 80 + CRV1 - 80	800 x 800	760 x 760
CRV1 - 90 + CRV1 - 90	900 x 900	860 x 860
CRV1 - 100 + CRV1 - 100	1000 x 1000	960 x 960
CRV1 - 100 + CRV1 - 80	1000 x 800	960 x 760
CRV1 - 100 + CRV1 - 90	1000 x 900	960 x 860

\* The values listed in the table assume that the tray is installed in accordance with the RAVAK assembly manual.

\*\* The values in the table apply to the inside edge of the glass.

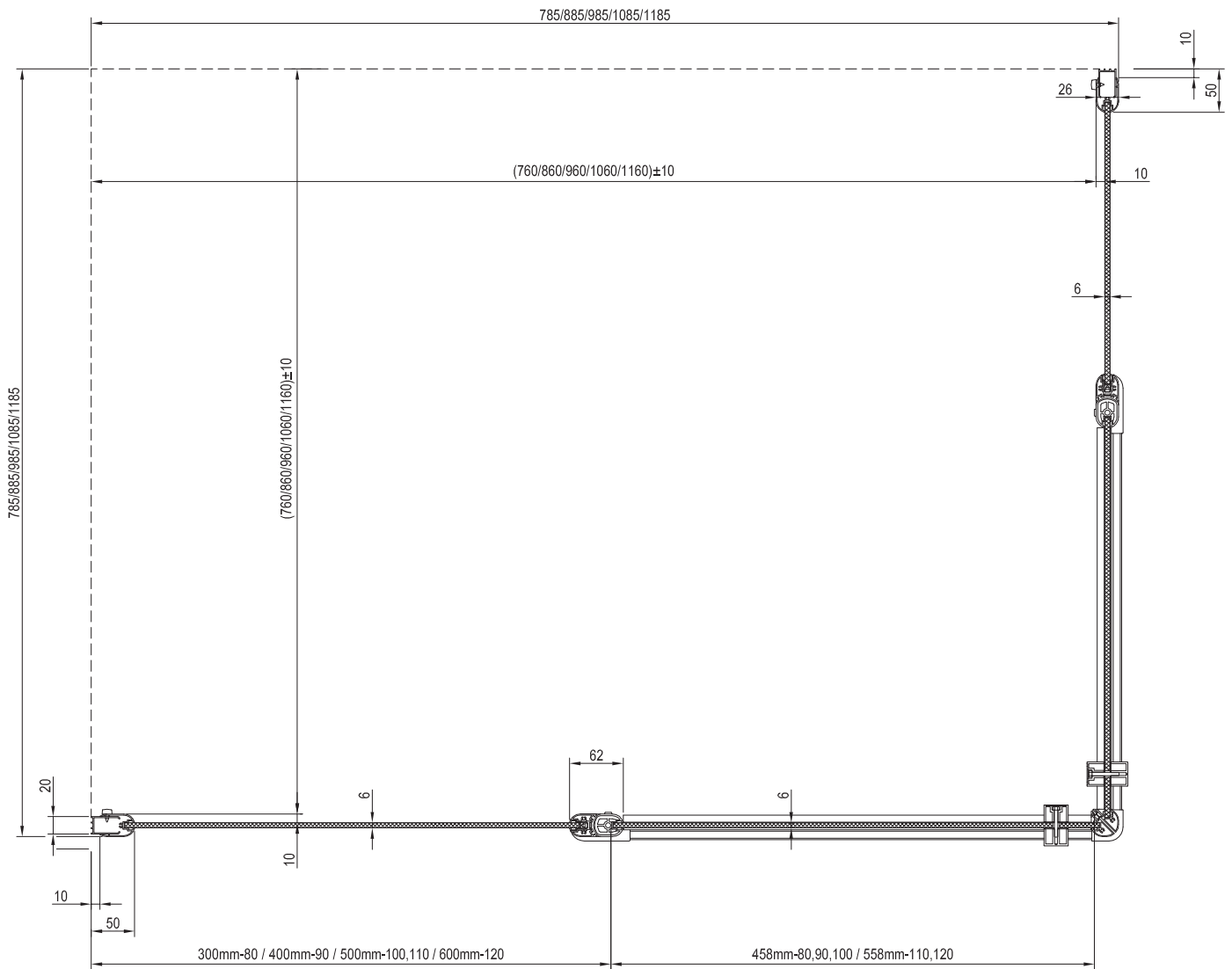


# CRV2 + CRV2 Construction prerequisites

Type	Mounting onto a tray * Recommended shower tray size (mm)	Floor mounting ** Recommended size of inclined area (mm)
CRV2 - 80 + CRV2 - 80	800 x 800	760 x 760
CRV2 - 90 + CRV2 - 90	900 x 900	860 x 860
CRV2 - 100 + CRV2 - 100	1000 x 1000	960 x 960
CRV2 - 100 + CRV2 - 80	1000 x 800	960 x 760
CRV2 - 110 + CRV2 - 80	1100 x 800	1060 x 760
CRV2 - 120 + CRV2 - 80	1200 x 800	1160 x 760
CRV2 - 120 + CRV2 - 90	1200 x 900	1160 x 860

\* The values listed in the table assume that the tray is installed in accordance with the RAVAK assembly manual.

\*\* The values in the table apply to the inside edge of the glass.

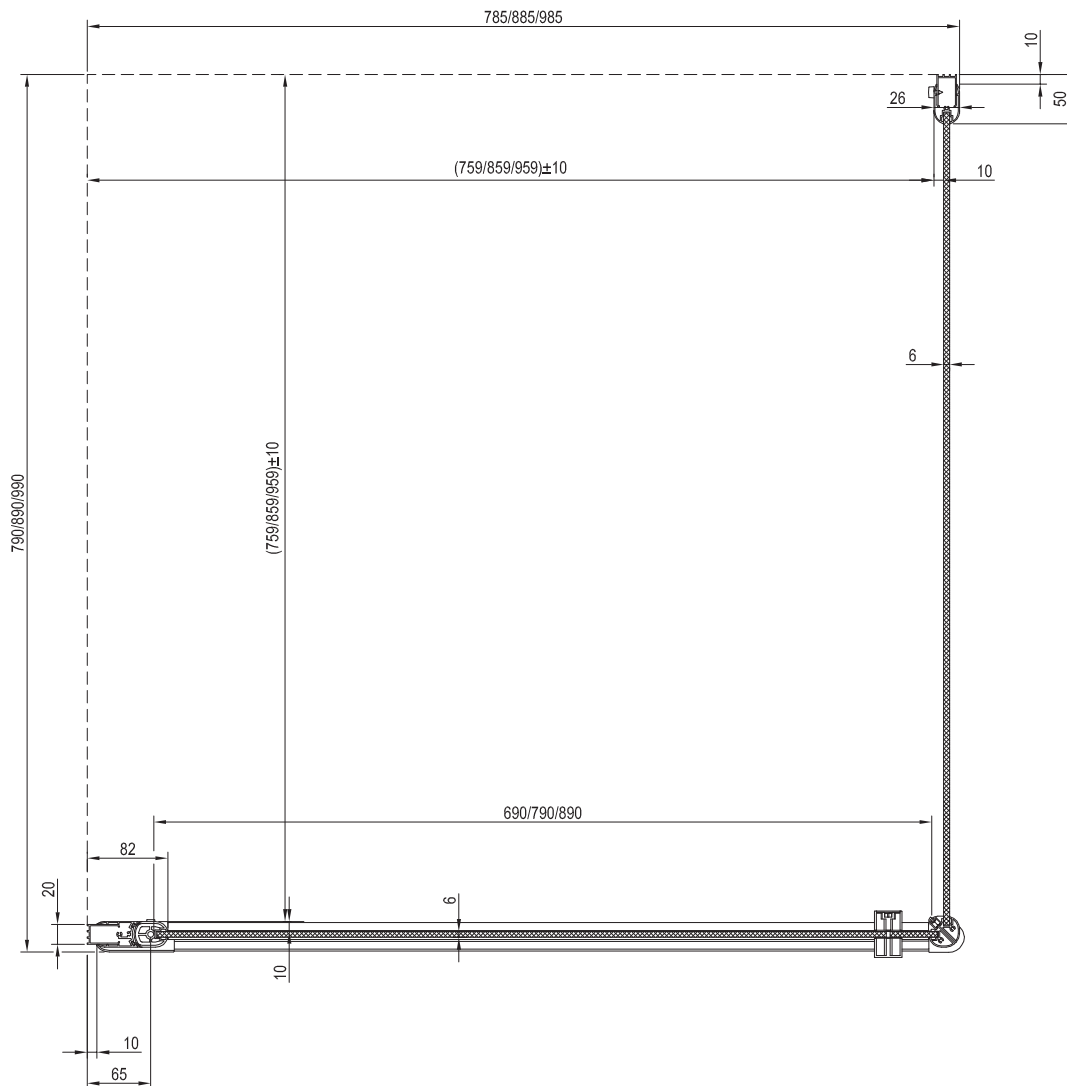


# CRV1 + CPS Construction prerequisites

Type	Mounting onto a tray * Recommended shower tray size (mm)	Floor mounting ** Recommended size of inclined area (mm)
CRV1 - 80 + CPS - 80	800 x 800	760 x 760
CRV1 - 90 + CPS - 90	900 x 900	860 x 860
CRV1 - 100 + CPS - 100	1000 x 1000	960 x 960
CRV1 - 100 + CPS - 80	1000 x 800	960 x 760
Other combinations	-	In accordance with technical drawings

\* The values listed in the table assume that the tray is installed in accordance with the RAVAK assembly manual.

\*\* The values in the table apply to the inside edge of the glass.

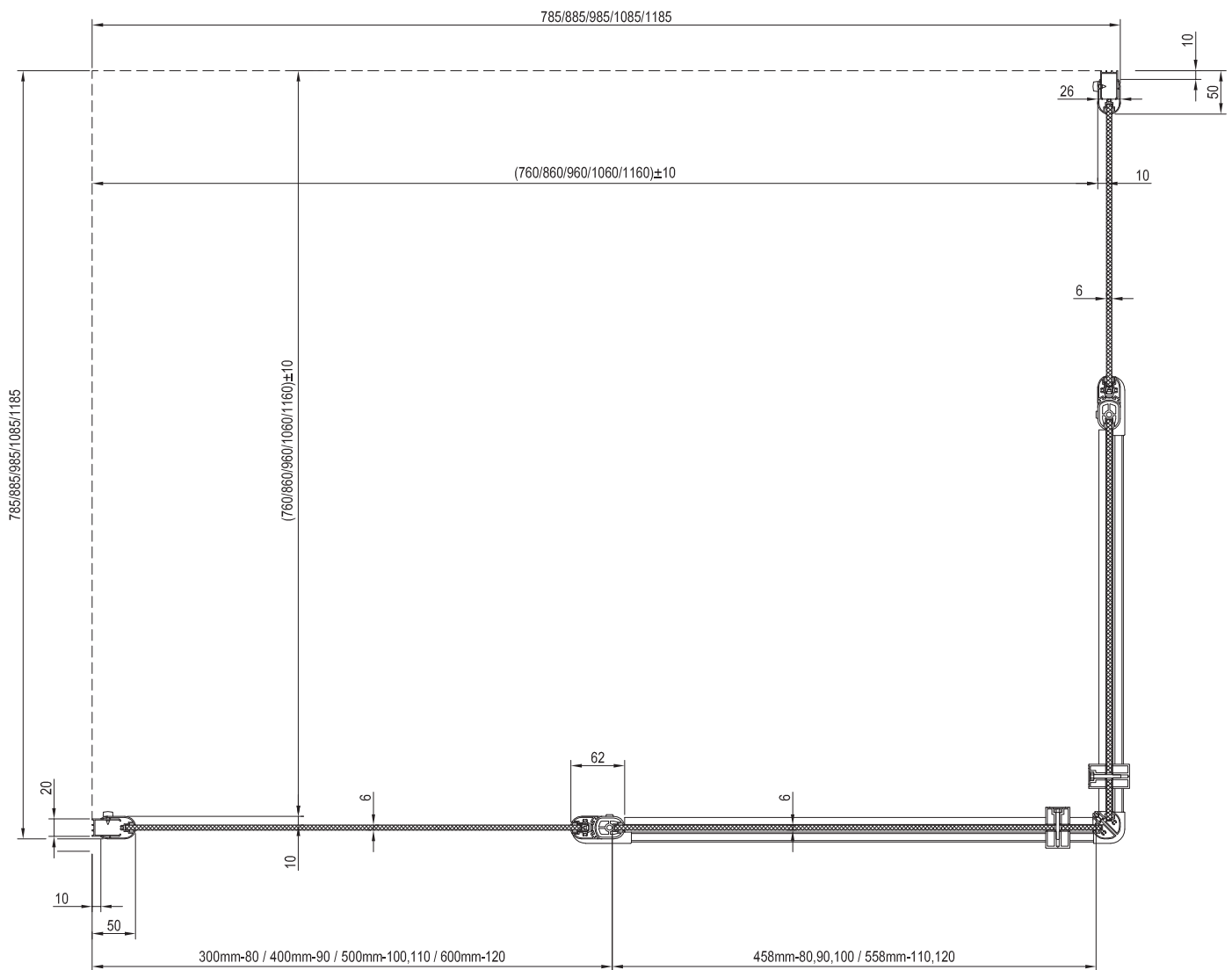


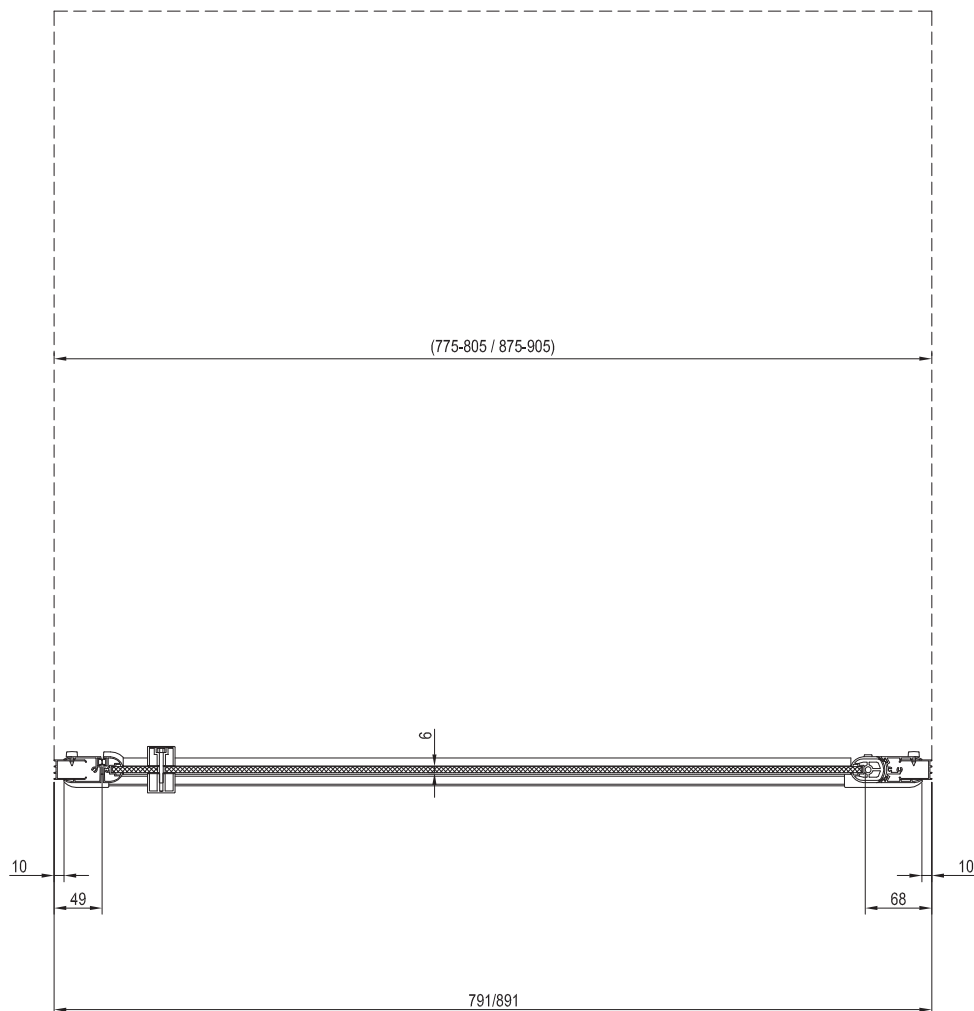
# CRV2 + CPS Construction prerequisites

Type	Mounting onto a tray* Recommended shower tray size (mm)	Floor mounting** Recommended size of inclined area (mm)
CRV2 - 80 + CPS - 80	800 x 800	760 x 760
CRV2 - 90 + CPS - 90	900 x 900	860 x 860
CRV2 - 100 + CPS - 100	1000 x 1000	960 x 960
CRV2 - 100 + CPS - 80	1000 x 800	960 x 760
CRV2 - 110 + CPS - 80	1100 x 800	1060 x 760
CRV2 - 120 + CPS - 80	1200 x 800	1160 x 760
CRV2 - 120 + CPS - 90	1200 x 900	1160 x 860
<b>Other combinations</b>	-	In accordance with technical drawings

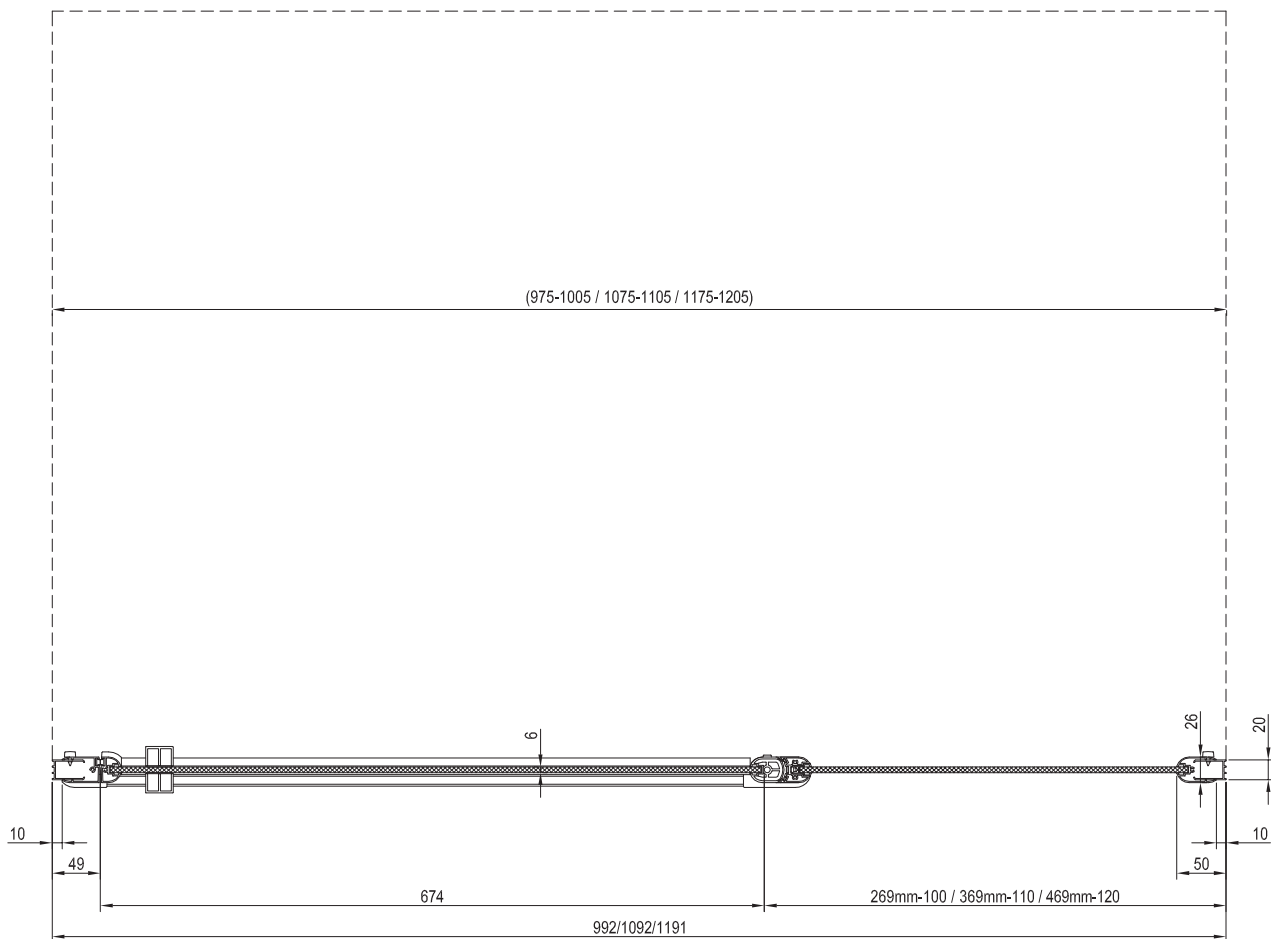
\* The values listed in the table assume that the tray is installed in accordance with the RAVAK assembly manual.

\*\* The values in the table apply to the inside edge of the glass.

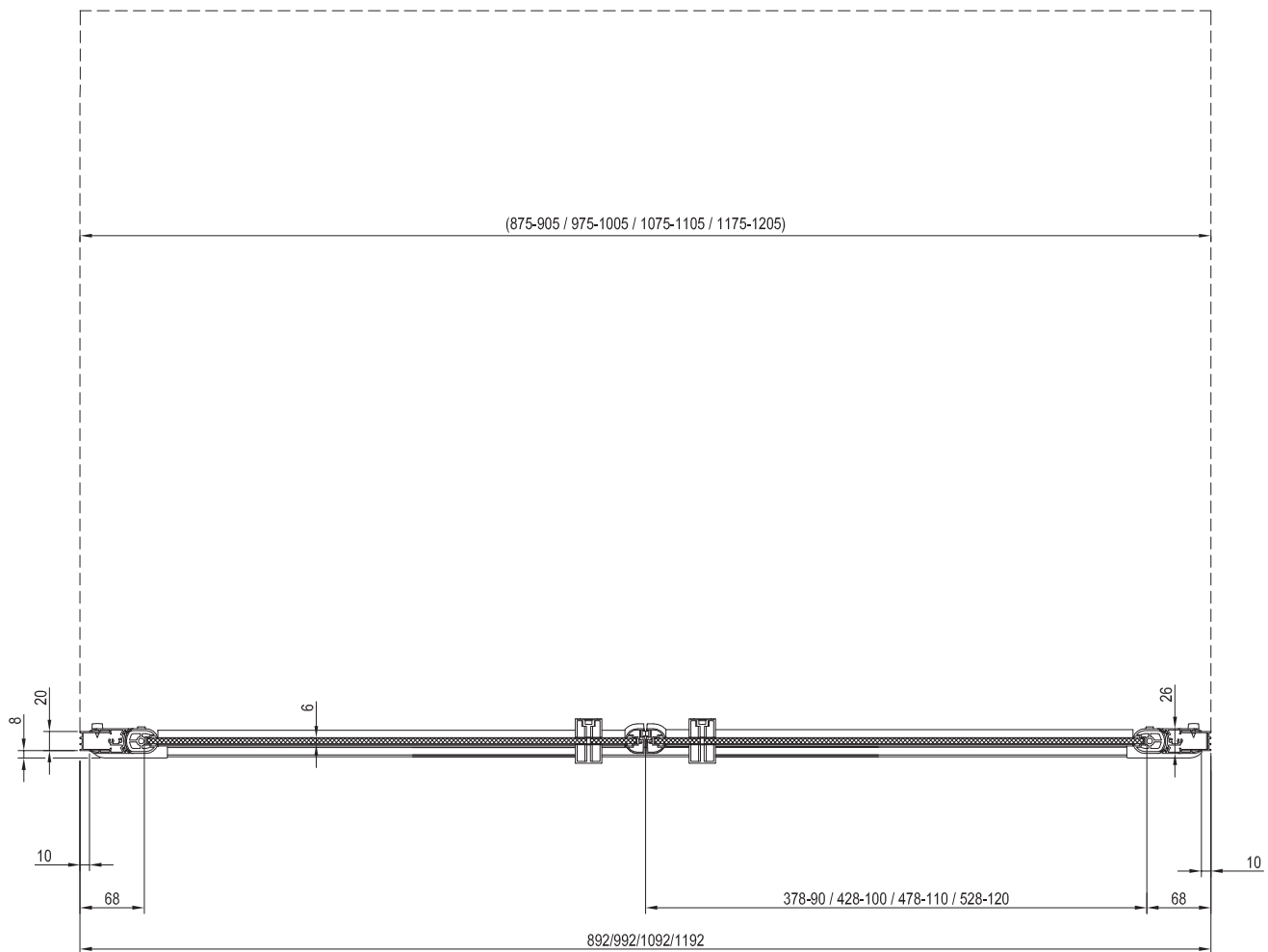




**CSD2** Construction prerequisites



# CSDL2 Construction prerequisites






## Wall profiles and extension profiles

Order No.	Type	Frame	Product dimensions (mm)	Size of packaging (cm)	Gross weight (kg)
E778801E19470	CNPS	matt white	53x30x1947	3,5x55x195	1,2
E778801319470	CNPS	black	53x30x1947	3,5x55x195	1,2
E778801C19470	CNPS	bright alu	53x30x1947	3,5x55x195	1,2
E778801U19470	CNPS	satın	53x30x1947	3,5x55x195	1,2

Order No.	Type	Frame	Product dimensions (mm)	Size of packaging (cm)	Gross weight (kg)
E778801E19400	CNPS Extended wall profile for CPS	matt white	53x30x1940	3,5x55x195	1,2
E778801319400	CNPS Extended wall profile for CPS	black	53x30x1940	3,5x55x195	1,2
E778801C19400	CNPS Extended wall profile for CPS	bright alu	53x30x1940	3,5x55x195	1,2
E778801U19400	CNPS Extended wall profile for CPS	satın	53x30x1940	3,5x55x195	1,2

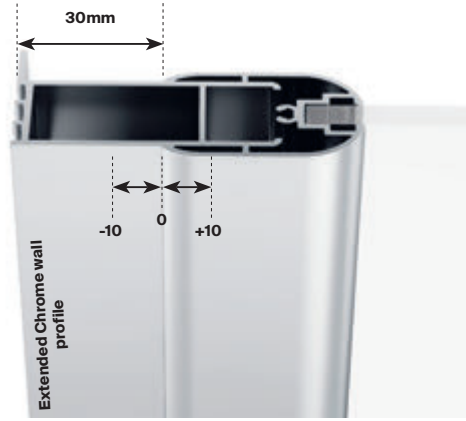
CNPS for CPS is used for expanding CPS fixed panels. All other Chrome products are designed for use with CNPS.

### Chrome wall profiles




**Standard Chrome wall profile**

A standard wall profile is included with every Chrome product and allows the product to be adjusted (expanded or narrowed) by 10 mm.



**Extended Chrome wall profile**

CNPS / CNPS for CPS - If you need to expand the product beyond this, a new extended wall profile must be purchased. It is 20 mm wider and allows an additional 20 mm extension of the product, while still retaining the ±10 mm adjustability.



**Extended wall profile**

Nexty



5

5-YEAR WARRANTY ON ALL SHOWER ENCLOSURES AND DOORS

6 mm

GLASS THICKNESS



GLASS PROTECTION  
The glass is protected by RAVAK AntiCalc® surface treatment technology.



EXTENSION PROFILE



EASY MAINTENANCE  
No profiles or inaccessible places



L/R VARIANT

design nosal®



**A perfect look**

Minimum amount of metal profiles and plenty of pure glass = airy design

**100 % reliability**

The high-alloy steel pivot embedded in a high-quality casing leaves no room for complications and guarantees an extremely long life

**Perfect adaptability**

It can best adapt to construction inaccuracies using NNPS extension profiles, which allow the enclosure to be extended by 2 cm (up to 2 profiles per side) => solving almost all problems

**Perfect cleanliness**

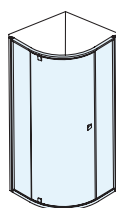
Few profiles and no inaccessible spots = less time spent cleaning

**Perfect installation**

Comes pre-assembled – easy and precise work

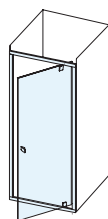
**Easy maintenance**

Thanks to a protective RAVAK AntiCalc® layer, the glass stays clean for longer (no limescale sediments)

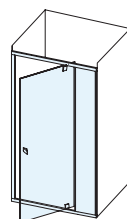


NSKK3

Quadrant shower enclosures > 116

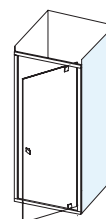


NDOP1



NDOP2

Shower doors > 117



NPSS

Fixed panel > 122

# NSKK3 Three-piece quadrant shower enclosure



Indestructible door pivot mechanism



Adjustable by up to 40 mm on each side, with the option to use NNPS

## Clean, modern design

The modern shape of the hinge and handle combined with a lightened frame create the characteristic look of the enclosure.

### Don't miss it

- 1.** Recommended shower trays: Elipso, Elipso Pro, Elipso Pro Flat, Elipso Pro Chrome, Ronda.
- 2.** 6 mm safety glass with patented RAVAK AntiCalc® treatment.
- 3.** Radius: 500 mm
- 4.** NNPS extension profile for widening the door by 2 cm. A maximum of 2 profiles can be used on each side.

Shower trays → 266

Shower channels → 298

Seats → 258

Taps → 538

Accessories → 650



# Nexty NSKK3

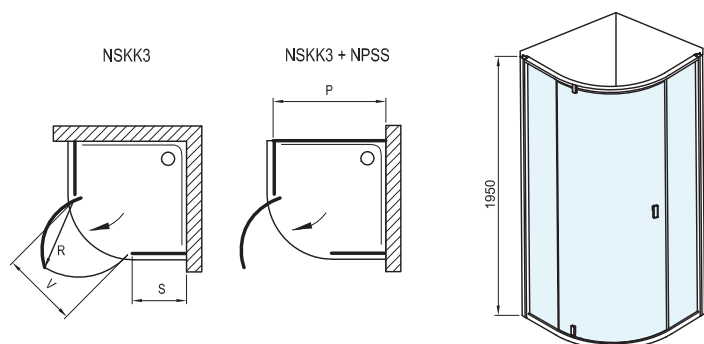
<b>Finish</b>	<b>Standard panel material</b>	<b>Non-standard panel material</b>	<b>Height</b> 1950 mm
BRIGHT ALU          SATIN          MATT WHITE          BLACK	TRANSPARENT	TRANSPARENT	

Order No.	Type	Frame	Panel	Product dimensions (mm)	Product dimensions in mm - installation with APSS	„V“ entrance (mm)	Size of packaging (cm)	Gross weight (kg)
<b>30644E01Z1</b>	NSKK3 80x80	matt white	transparent	770-795x770-795	785 x 775-795	508	66x17x200	48,7
<b>30644300Z1</b>	NSKK3 80x80	black	transparent	770-795x770-795	785 x 775-795	508	66x17x200	48,7
<b>30644C00Z1</b>	NSKK3 80x80	bright alu	transparent	770-795x770-795	785 x 775-795	508	66x17x200	48,7
<b>30644U00Z1</b>	NSKK3 80x80	satın	transparent	770-795x770-795	785 x 775-795	508	66x17x200	48,7
<b>30677E01Z1</b>	NSKK3 90x90	matt white	transparent	870-895x870-895	885 x 875-895	508	66x17x200	55,1
<b>30677300Z1</b>	NSKK3 90x90	black	transparent	870-895x870-895	885 x 875-895	508	66x17x200	55,1
<b>30677C00Z1</b>	NSKK3 90x90	bright alu	transparent	870-895x870-895	885 x 875-895	508	66x17x200	55,1
<b>30677U00Z1</b>	NSKK3 90x90	satın	transparent	870-895x870-895	885 x 875-895	508	66x17x200	55,1
<b>306AAE01Z1</b>	NSKK3 100x100	matt white	transparent	970-995x970-995	985 x 975-995	508	66x17x200	61,3
<b>306AA300Z1</b> ○	NSKK3 100x100	black	transparent	970-995x970-995	985 x 975-995	508	66x17x200	61,3
<b>306AAC00Z1</b> ○	NSKK3 100x100	bright alu	transparent	970-995x970-995	985 x 975-995	508	66x17x200	61,3
<b>306AAU00Z1</b> ○	NSKK3 100x100	satın	transparent	970-995x970-995	985 x 975-995	508	66x17x200	61,3

○ Delivery time is 6 weeks.  
Other products are delivered within 14 days as standard.

## Extension profiles

Order No.	Type	Frame	Product dimensions (mm)	Size of packaging (cm)	Gross weight (kg)
<b>E778802E19500</b>	NNPS	matt white	23x26x1950	2x3x196	0,6
<b>E778802319500</b>	NNPS	black	23x26x1950	2x3x196	0,6
<b>E778802C19500</b>	NNPS	bright alu	23x26x1950	2x3x196	0,6
<b>E778802U19500</b>	NNPS	satın	23x26x1950	2x3x196	0,6



# NDOP1 One-piece hinged shower door



Indestructible door pivot mechanism



Adjustable by up to 40 mm on each side, with the option to use NNPS



Pre-assembled product = simple installation

## Clean, modern design

Ideal solution for creating a showering space in a bathroom recess 80 to 90 cm wide, or for creating a shower enclosure when combined with a NPSS fixed panel.

### Don't miss it

1. Recommended drains and shower channels: Chrome, 10°, and Runway stainless steel shower channels. Zebra plastic shower channel with stainless steel grid. SN501 plastic point drain with stainless steel grid.
2. Recommended shower trays: Perseus Pro, Perseus Pro Flat, Perseus Pro Chrome, Perseus Pro 10°, Gigant, Gigant Pro, Gigant Pro Flat, Gigant Pro Chrome, Gigant Pro 10°, Angela.
3. 6 mm safety glass with patented RAVAK AntiCalc® treatment.
4. NNPS extension profile for widening the door by 2 cm. A maximum of 2 profiles can be used on each side.

Shower trays → 266

Shower channels → 298

Seats → 258

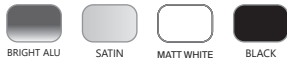
Taps → 538

Accessories → 650



# Nexty NDOP1

## Finish



## Standard panel material



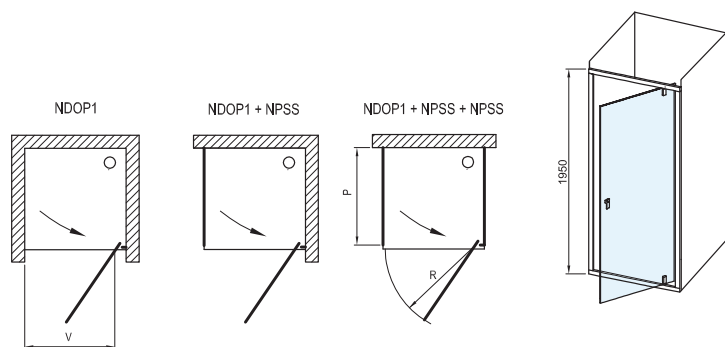
Height  
1950 mm

Order No.	Type	Frame	Panel	Product dimensions (mm)	Product dimensions in mm - installation with APSS	Product dimensions in mm - installation with APSS+NPSS	„V“ entrance (mm)	Size of packaging (cm)	Gross weight (kg)
<b>03040E01Z1</b>	NDOP180	matt white	transparent	777-827	775-800	771	510	79x4,8x200	29,4
<b>03040300Z1</b>	NDOP180	black	transparent	777-827	775-800	771	510	79x4,8x200	29,4
<b>03040C00Z1</b>	NDOP180	bright alu	transparent	777-827	775-800	771	510	79x4,8x200	29,4
<b>03040U00Z1</b>	NDOP180	satin	transparent	777-827	775-800	771	510	79x4,8x200	29,4
<b>03070E01Z1</b>	NDOP190	matt white	transparent	877-927	875-900	871	610	89x4,8x200	32,6
<b>03070300Z1</b>	NDOP190	black	transparent	877-927	875-900	871	610	89x4,8x200	32,6
<b>03070C00Z1</b>	NDOP190	bright alu	transparent	877-927	875-900	871	610	89x4,8x200	32,6
<b>03070U00Z1</b>	NDOP190	satin	transparent	877-927	875-900	871	610	89x4,8x200	32,6

Products are delivered within 14 days as standard.

## Extension profiles

Order No.	Type	Frame	Product dimensions (mm)	Size of packaging (cm)	Gross weight (kg)
<b>E778802E19500</b>	NNPS	matt white	23x26x1950	2x3x196	0,6
<b>E778802319500</b>	NNPS	black	23x26x1950	2x3x196	0,6
<b>E778802C19500</b>	NNPS	bright alu	23x26x1950	2x3x196	0,6
<b>E778802U19500</b>	NNPS	satin	23x26x1950	2x3x196	0,6



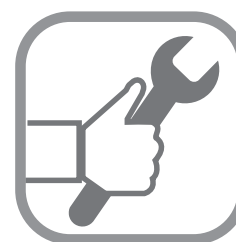
# NDOP2 Two-piece hinged shower door



Indestructible door pivot mechanism



Adjustable by up to 40 mm on each side, with the option to use NNPS



Pre-assembled product = simple installation

## Clean, modern design

Ideal solution for creating a showering space in a bathroom recess 100 to 120 cm wide, or for creating a shower enclosure when combined with a NPSS fixed panel.

### Don't miss it

- 1.** Recommended drains and shower channels: Chrome, 10°, and Runway stainless steel shower channels. Zebra plastic shower channel with stainless steel grid. SN501 plastic point drain with stainless steel grid.
- 2.** Recommended shower trays: Perseus Pro, Perseus Pro Flat, Perseus Pro Chrome, Perseus Pro 10°, Gigant, Gigant Pro, Gigant Pro Flat, Gigant Pro Chrome, Gigant Pro 10°, Angela.
- 3.** 6 mm safety glass with patented RAVAK AntiCalc® treatment.
- 4.** NNPS extension profile for widening the door by 2 cm. A maximum of 2 profiles can be used on each side.

Shower trays → 266

Shower channels → 298

Seats → 258

Taps → 538

Accessories → 650

# Nexty NDOP2



## Finish



## Standard panel material



Height  
1950 mm

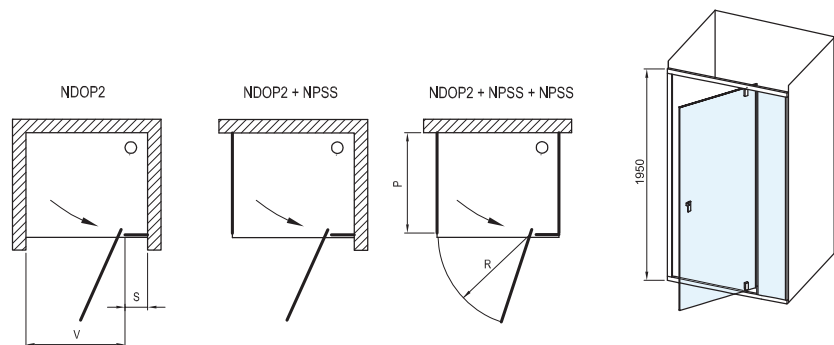


Order No.	Type	Frame	Panel	Product dimensions (mm)	Product dimensions in mm - installation with APSS	Product dimensions in mm - installation with APSS+NPSS	„V“ entrance (mm)	Size of packaging (cm)	Gross weight (kg)
<b>030A0E01Z1</b>	NDOP2 100	matt white	transparent	977-1027	975-1000	971	510	99x4,8x200	36,2
<b>030A0300Z1</b>	NDOP2 100	black	transparent	977-1027	975-1000	971	510	99x4,8x200	36,2
<b>030A0C00Z1</b>	NDOP2 100	bright alu	transparent	977-1027	975-1000	971	510	99x4,8x200	36,2
<b>030A0U00Z1</b>	NDOP2 100	satin	transparent	977-1027	975-1000	971	510	99x4,8x200	36,2
<b>030D0E01Z1</b>	NDOP2 110	matt white	transparent	1077-1127	1075-1100	1071	610	109x4,8x200	39,3
<b>030D0300Z1</b>	NDOP2 110	black	transparent	1077-1127	1075-1100	1071	610	109x4,8x200	39,3
<b>030D0C00Z1</b>	NDOP2 110	bright alu	transparent	1077-1127	1075-1100	1071	610	109x4,8x200	39,3
<b>030D0U00Z1</b>	NDOP2 110	satin	transparent	1077-1127	1075-1100	1071	610	109x4,8x200	39,3
<b>030G0E01Z1</b>	NDOP2 120	matt white	transparent	1177-1227	1175-1200	1171	610	119x4,8x200	42,6
<b>030G0300Z1</b>	NDOP2 120	black	transparent	1177-1227	1175-1200	1171	610	119x4,8x200	42,6
<b>030G0C00Z1</b>	NDOP2 120	bright alu	transparent	1177-1227	1175-1200	1171	610	119x4,8x200	42,6
<b>030G0U00Z1</b>	NDOP2 120	satin	transparent	1177-1227	1175-1200	1171	610	119x4,8x200	42,6

Products are delivered within 14 days as standard.

## Extension profiles

Order No.	Type	Frame	Product dimensions (mm)	Size of packaging (cm)	Gross weight (kg)
<b>E778802E19500</b>	NNPS	matt white	23x26x1950	2x3x196	0,6
<b>E778802319500</b>	NNPS	black	23x26x1950	2x3x196	0,6
<b>E778802C19500</b>	NNPS	bright alu	23x26x1950	2x3x196	0,6
<b>E778802U19500</b>	NNPS	satin	23x26x1950	2x3x196	0,6



**NPSS** Fixed panel



Adjustable by up to 40 mm on each side, with the option to use NNPS



Pre-assembled product = simple installation

**Clean, modern design**

The space next to the fixed panel can serve as the perfect spot for your washing machine, washbasin, or toilet.

**Don't miss it**

1. Recommended drains and shower channels: Chrome, 10°, and Runway stainless steel shower channels. Zebra plastic shower channel with stainless steel grid. SN501 plastic point drain with stainless steel grid.
2. Recommended shower trays: Perseus Pro, Perseus Pro Flat, Perseus Pro Chrome, Perseus Pro 10°, Gigant, Gigant Pro, Gigant Pro Flat, Gigant Pro Chrome, Gigant Pro 10°, Angela.
3. 6 mm safety glass with patented RAVAK AntiCalc® treatment.
4. Cannot be used separately. Designed for use with NDOP1 or NDOP2 shower doors. Simple installation by clipping onto the shower door.
5. Two NPSS fixed panels can be combined with a NDOP1 or NDOP2 door to create a U-shaped shower enclosure.

Shower trays → 266

Shower channels → 298

Seats → 258

Taps → 538

Accessories → 650



5-YEAR WARRANTY



GLASS THICKNESS



EXTENSION PROFILE



GLASS PROTECTION ANTICALC



L/R OPTION 180°



EASY MAINTENANCE

# Nexty NPSS

## Finish



BRIGHT ALU



SATIN



MATT WHITE



BLACK

## Standard panel material



TRANSPARENT



GRAPE



MATELUX



MATRIX



GRAPHITE



TRANSPARENT

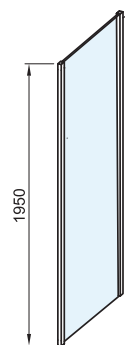
Height  
1950 mm

Order No.	Type	Frame	Panel	Product dimensions (mm)	Size of packaging (cm)	Gross weight (kg)
<b>94040E00Z1</b>	NPSS 80	matt white	transparent	775-800	79x4,5x200	26,6
<b>90040300Z1</b>	NPSS 80	black	transparent	775-800	79x4,5x200	26,6
<b>90040C00Z1</b>	NPSS 80	bright alu	transparent	775-800	79x4,5x200	26,6
<b>90040U00Z1</b>	NPSS 80	satın	transparent	775-800	79x4,5x200	26,6
<b>94070E00Z1</b>	NPSS 90	matt white	transparent	875-900	89x4,5x200	29,7
<b>90070300Z1</b>	NPSS 90	black	transparent	875-900	89x4,5x200	29,7
<b>90070C00Z1</b>	NPSS 90	bright alu	transparent	875-900	89x4,5x200	29,7
<b>90070U00Z1</b>	NPSS 90	satın	transparent	875-900	89x4,5x200	29,7
<b>940A0E00Z1</b>	NPSS 100	matt white	transparent	975-1000	99x4,5x200	32,9
<b>900A0300Z1</b>	NPSS 100	black	transparent	975-1000	99x4,5x200	32,9
<b>900A0C00Z1</b>	NPSS 100	bright alu	transparent	975-1000	99x4,5x200	32,9
<b>900A0U00Z1</b>	NPSS 100	satın	transparent	975-1000	99x4,5x200	32,9

Products are delivered within 14 days as standard.

## Extension profiles

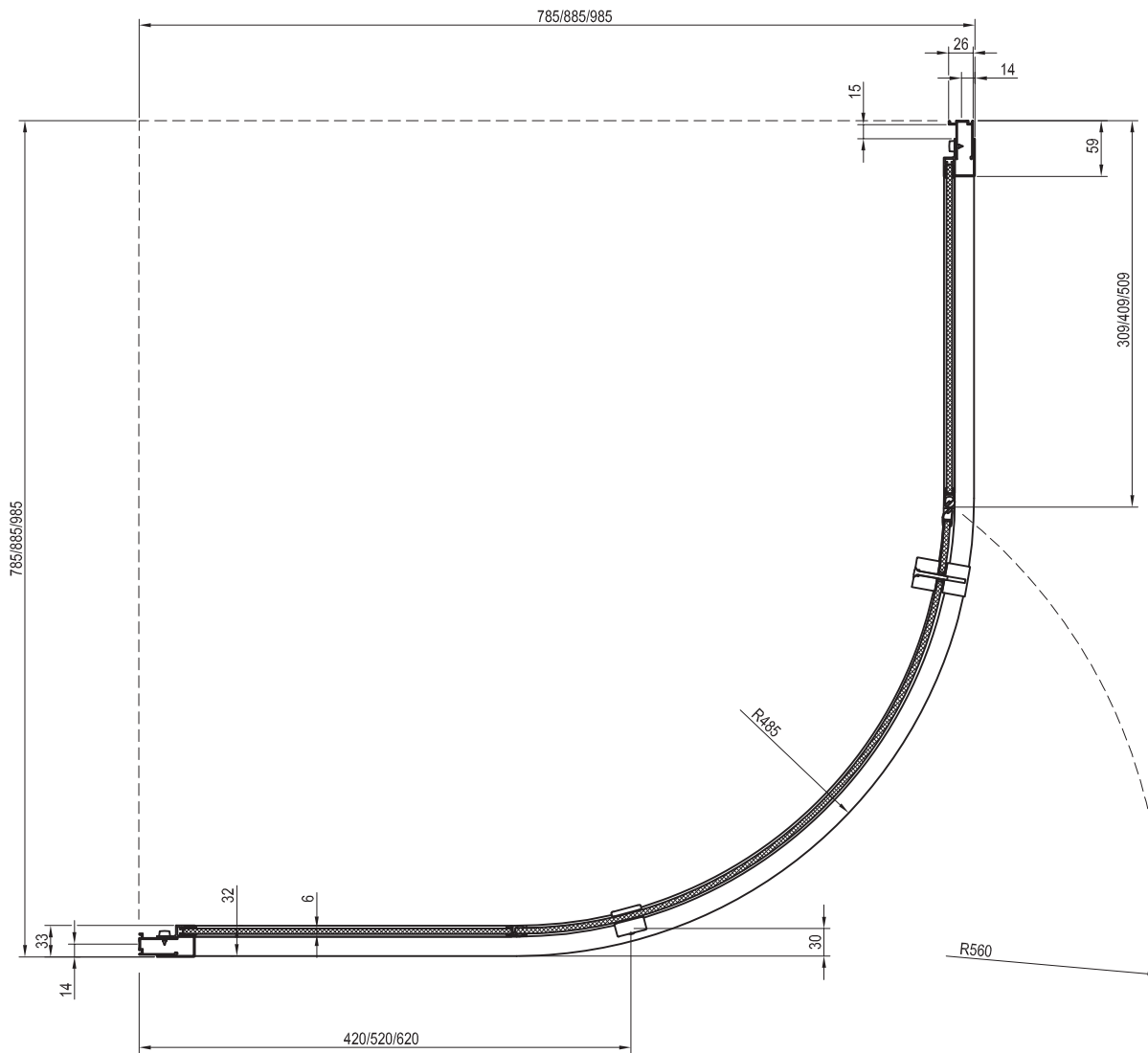
Order No.	Type	Frame	Product dimensions (mm)	Size of packaging (cm)	Gross weight (kg)
<b>E778802E19500</b>	NNPS	matt white	23x26x1950	2x3x196	0,6
<b>E778802319500</b>	NNPS	black	23x26x1950	2x3x196	0,6
<b>E778802C19500</b>	NNPS	bright alu	23x26x1950	2x3x196	0,6
<b>E778802U19500</b>	NNPS	satın	23x26x1950	2x3x196	0,6



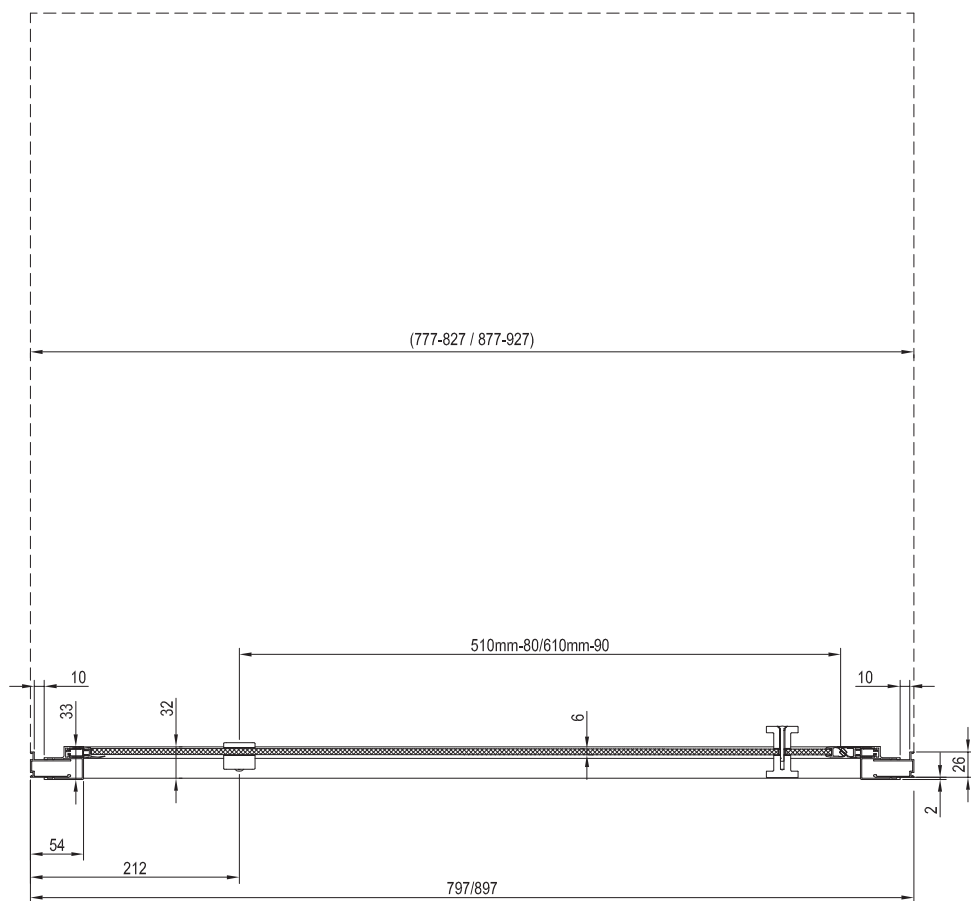
# NSKK3 Construction prerequisites

Type	Mounting onto a tray* Recommended shower tray size (mm)	Floor mounting** Recommended size of inclined area (mm)
<b>NSKK3 - 80</b>	800 x 800, R 500	In accordance with technical drawings
<b>NSKK3 - 90</b>	900 x 900, R 500	In accordance with technical drawings
<b>NSKK3 - 100</b>	1000 x 1000, R 500	In accordance with technical drawings

\* The values listed in the table assume that the tray is installed in accordance with the RAVAK assembly manual.  
 \*\* The values in the table apply to the inside edge of the glass.



# NDOP1 Construction prerequisites

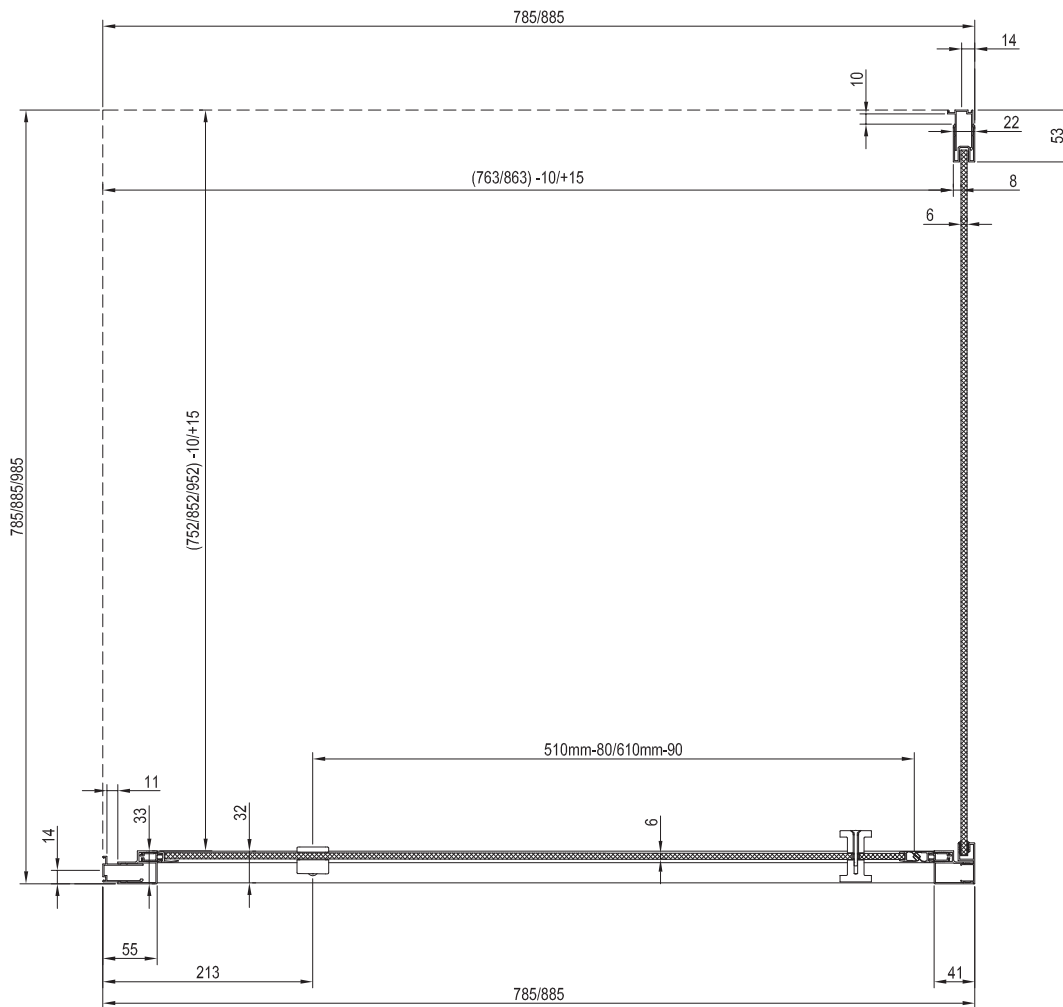


# NDOP1 + NPSS Construction prerequisites

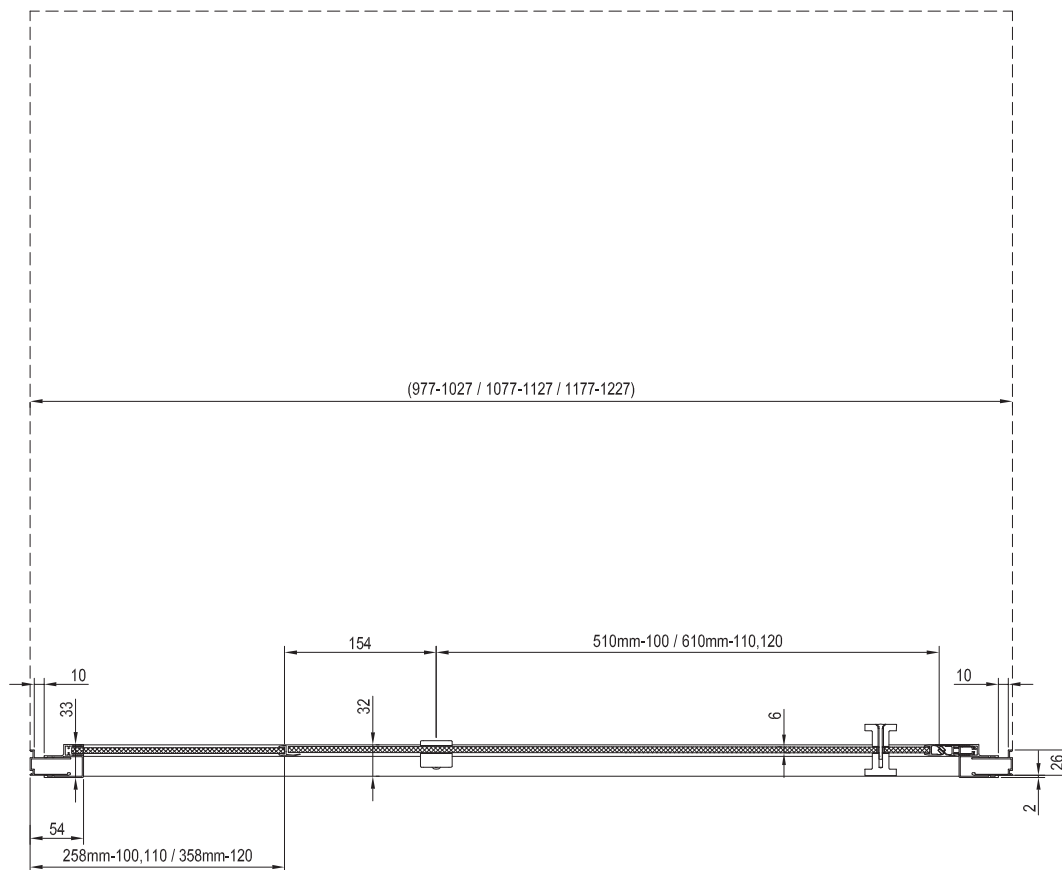
Type	Mounting onto a tray* Recommended shower tray size (mm)	Floor mounting** Recommended size of inclined area (mm)
<b>NDOP1 - 80 + NPSS - 80</b>	800 x 800	761 x 744
<b>NDOP1 - 90 + NPSS - 90</b>	900 x 900	861 x 844

\* The values listed in the table assume that the tray is installed in accordance with the RAVAK assembly manual.

\*\* The values in the table apply to the inside edge of the glass.



# NDOP2 Construction prerequisites

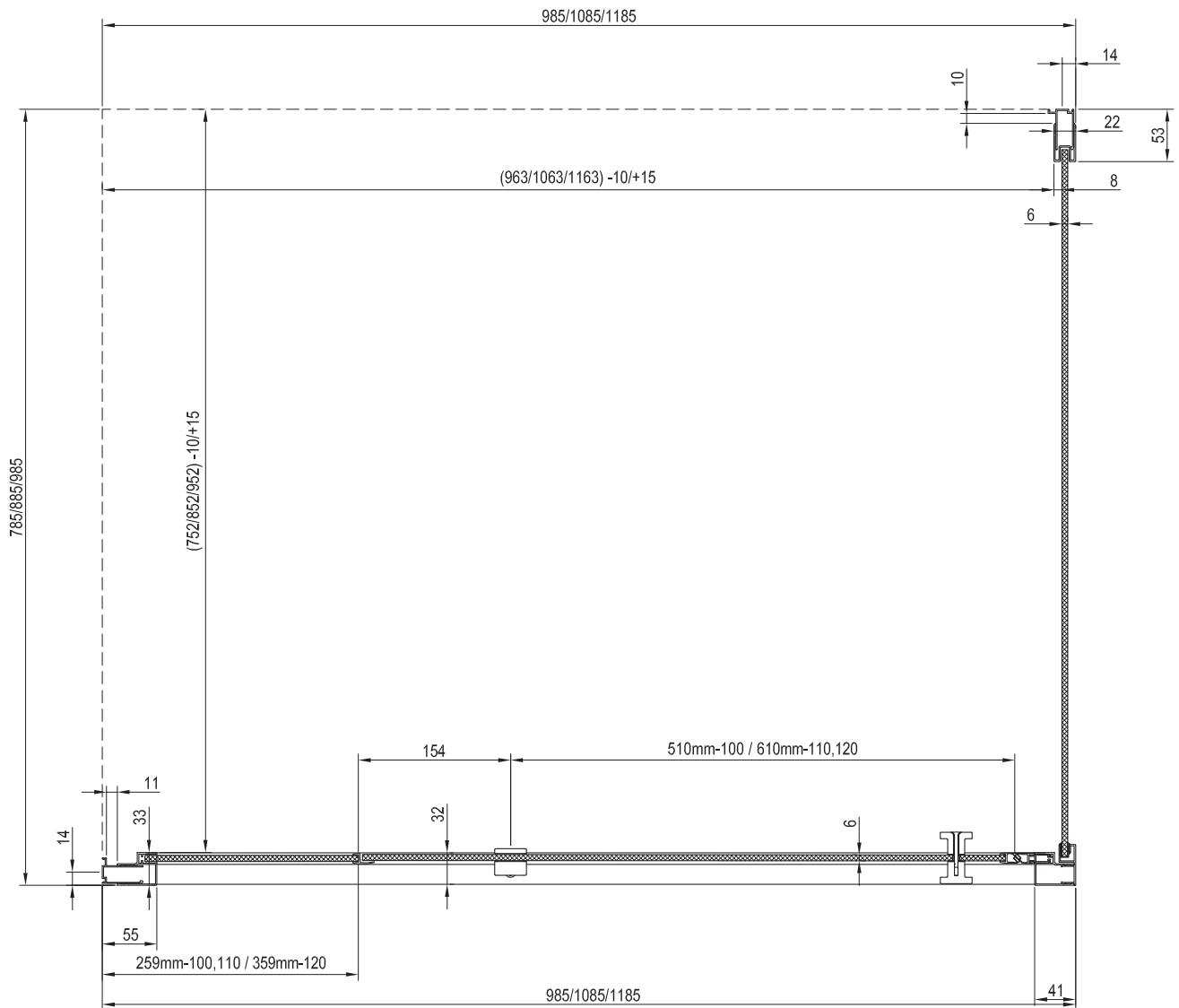


# NDOP2 + NPSS Construction prerequisites

Type	Mounting onto a tray* Recommended shower tray size (mm)	Floor mounting** Recommended size of inclined area (mm)
NDOP2 - 100 + NPSS - 80	1000 x 800	961 x 744
NDOP2 - 100 + NPSS - 100	1000 x 1000	961 x 944
NDOP2 - 110 + NPSS - 80	1100 x 800	1061 x 744
NDOP2 - 120 + NPSS - 80	1200 x 800	1161 x 744
NDOP2 - 120 + NPSS - 90	1200 x 900	1161 x 844

\* The values listed in the table assume that the tray is installed in accordance with the RAVAK assembly manual.


\*\* The values in the table apply to the inside edge of the glass.




## Wall profiles and extension profiles

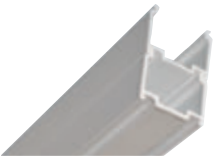
Order No.	Type	Frame	Product dimensions (mm)	Size of packaging (cm)	Gross weight (kg)
E778802E19500	NNPS	matt white	23x26x1950	2x3x196	0,6
E778802319500	NNPS	black	23x26x1950	2x3x196	0,6
E778802C19500	NNPS	bright alu	23x26x1950	2x3x196	0,6
E778802U19500	NNPS	satın	23x26x1950	2x3x196	0,6

### Wall profiles and extension profiles




EXTENSION PROFILE

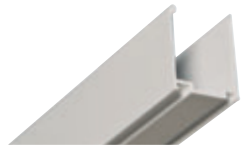




**Extension profiles**  
Allow you to adjust (widen) the shower enclosure or door by 2 cm each time. Maximum 2 profiles per side.  
**Extension profiles are available for the following shower enclosure and door ranges: Nexty, Pivot, Blix and Supernova.**



**Extension profile, also in black version, for the Pivot and Nexty ranges.**



**Wall profile**  
Used to fix the shower enclosure or door to the wall.  
**Not sold separately, but included with any product it is required for.**

# Pivot



**5** 5-YEAR WARRANTY ON ALL SHOWER ENCLOSURES AND DOORS

**6 mm** GLASS THICKNESS

**AntiCalc** GLASS PROTECTION  
The glass is protected by RAVAK AntiCalc® surface treatment technology.

**EXTENSION PROFILE**

**EASY MAINTENANCE**  
No profiles or inaccessible places

**L/R VARIANT**

design **nosal**®



**A perfect look**

Minimum amount of metal profiles and plenty of pure glass = airy design

**Perfect reliability**

The high-alloy steel pivot embedded in a high-quality casing leaves no room for complications and guarantees an extremely long life

**Perfect adaptability**

It can best adapt to construction inaccuracies using PNPS extension profiles, which allow the enclosure to be extended by 2 cm (up to 2 profiles per side) => solving almost all problems

**Perfect cleanliness**

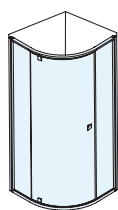
Few profiles and no inaccessible spots = less time spent cleaning

**Perfect installation**

Comes pre-assembled – easy and precise work

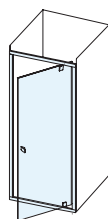
**Easy maintenance**

Thanks to a protective RAVAK AntiCalc® layer, the glass stays clean for longer (no limescale sediments)

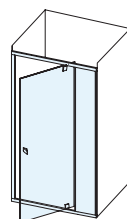


PSKK3

Quadrant shower enclosures > 132

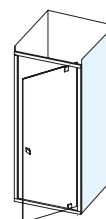


PDOP1



PDOP2

Shower doors > 134



PPS

Fixed panel > 138

# PSKK3 Three-piece quadrant shower enclosure



Indestructible door pivot mechanism



Adjustable by up to 40 mm from each wall, with the option of using PNPS

## Perfect look

An airy design, thanks to a light and subtle frame.

### Don't miss it

- 1.** Recommended shower trays: Elipso, Elipso Pro, Elipso Pro Flat, Elipso Pro Chrome, Ronda.
- 2.** 6 mm safety glass with patented RAVAK AntiCalc® treatment.
- 3.** Radius: 500 mm.
- 4.** White = white frame + white handle. White/chrome = white frame + chrome handle. Satin = satin frame + satin handle. Black = black frame + black handle. Applies to all Pivot model ranges.

Shower trays → 266

Shower channels → 298

Seats → 258

Taps → 538

Accessories → 650



# Pivot PSKK3

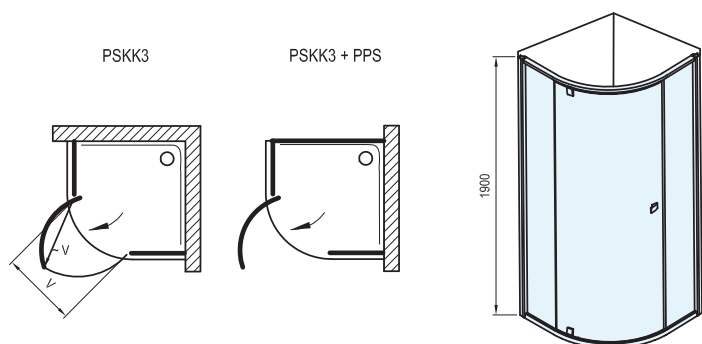
<b>Finish</b>	<b>Standard panel material</b>	<b>Non-standard panel material</b>	<b>Height</b> 1900 mm
 BRIGHT ALU   SATIN   WHITE   BLACK	 TRANSPARENT	 TRANSPARENT	

Order No.	Type	Frame	Panel	Product dimensions (mm)	Product dimensions in mm - installation with PPS	„V“ entrance (mm)	Size of packaging (cm)	Gross weight (kg)
<b>37644100Z1</b>	PSKK3 80x80	white/chrome	transparent	770-795x770-795	785 x 770-790	490	67x16x193	42,0
<b>37644101Z1</b>	PSKK3 80x80	white	transparent	770-795x770-795	785 x 770-790	490	67x16x193	42,0
<b>37644300Z1</b>	PSKK3 80x80	black	transparent	770-795x770-795	785 x 770-790	490	67x16x193	42,0
<b>37644C00Z1</b>	PSKK3 80x80	bright alu	transparent	770-795x770-795	785 x 770-790	490	67x16x193	42,0
<b>37644U00Z1</b>	PSKK3 80x80	satin	transparent	770-795x770-795	785 x 770-790	490	67x16x193	42,0
<b>37677100Z1</b>	PSKK3 90x90	white/chrome	transparent	870-895x870-895	885 x 870-895	490	67x16x193	48,4
<b>37677101Z1</b>	PSKK3 90x90	white	transparent	870-895x870-895	885 x 870-895	490	67x16x193	48,4
<b>37677300Z1</b>	PSKK3 90x90	black	transparent	870-895x870-895	885 x 870-895	490	67x16x193	48,4
<b>37677C00Z1</b>	PSKK3 90x90	bright alu	transparent	870-895x870-895	885 x 870-895	490	67x16x193	48,4
<b>37677U00Z1</b>	PSKK3 90x90	satin	transparent	870-895x870-895	885 x 870-895	490	67x16x193	48,4
<b>376AA100Z1</b>	○ PSKK3 100x100	white/chrome	transparent	970-995x970-995	985 x 970-995	490	67x16x193	54,8
<b>376AA101Z1</b>	○ PSKK3 100x100	white	transparent	970-995x970-995	985 x 970-995	490	67x16x193	54,8
<b>376AA300Z1</b>	○ PSKK3 100x100	black	transparent	970-995x970-995	985 x 970-995	490	67x16x193	54,8
<b>376AAC00Z1</b>	○ PSKK3 100x100	bright alu	transparent	970-995x970-995	985 x 970-995	490	67x16x193	54,8
<b>376AAU00Z1</b>	○ PSKK3 100x100	satin	transparent	970-995x970-995	985 x 970-995	490	67x16x193	54,8

○ Delivery time is 6 weeks.  
Other products are delivered within 14 days as standard.

## Extension profiles

Order No.	Type	Frame	Product dimensions (mm)	Size of packaging (cm)	Gross weight (kg)
<b>E77880119000</b>	PNPS	white	23x26x1900	2x3x191	0,6
<b>E778801319000</b>	PNPS	black	23x26x1900	2x3x191	0,6
<b>E778801U19000</b>	PNPS	satin	23x26x1900	2x3x191	0,6
<b>E778801C1900B</b>	BLNPS	bright alu	23x26x1900	2x3x191	0,4



# PDOP1 One-piece hinged shower door



Indestructible door pivot mechanism



Adjustable by up to 40 mm from each wall, with the option of using PNPS



Pre-assembled product = simple installation

## Perfect look

Ideal solution for creating a showering space in a bathroom recess 80 to 90 cm wide, or for creating a shower enclosure when combined with a PPS fixed panel.

### Don't miss it

1. Recommended drains and shower channels: Chrome, 10°, and Runway stainless steel shower channels. Zebra plastic shower channel with stainless steel grid. SN501 plastic point drain with stainless steel grid.
2. Recommended shower trays: Perseus Pro, Perseus Pro Flat, Perseus Pro Chrome, Perseus Pro 10°, Gigant, Gigant Pro, Gigant Pro Flat, Gigant Pro Chrome, Gigant Pro 10°, Angela.
3. 6 mm safety glass with patented RAVAK AntiCalc® treatment.
4. Adjustable up to 40 mm from each wall.
5. PNPS extension profile for widening the door by 2 cm. A maximum of 2 profiles can be used on each side.

Shower trays → 266

Shower channels → 298

Seats → 258

Taps → 538

Accessories → 650



# Pivot PDOP1

## Finish



## Standard panel material



## Non-standard panel material



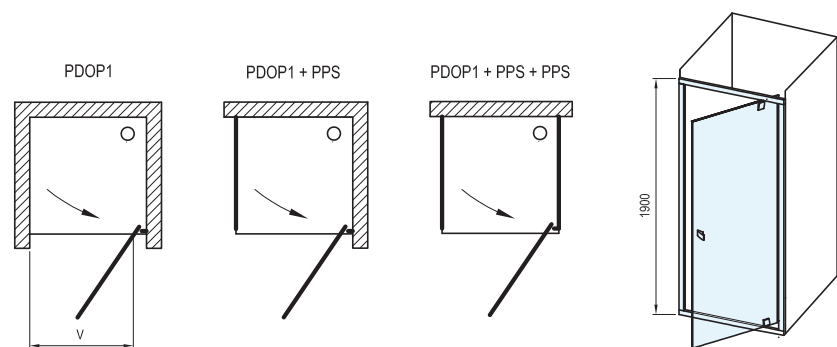
Height  
1900 mm

Order No.	Type	Frame	Panel	Product dimensions (mm)	Product dimensions in mm - installation with PPS	Product dimensions in mm - installation with PPS+PPS	„V“ entrance (mm)	Size of packaging (cm)	Gross weight (kg)
<b>03G40100Z1</b>	PDOP1 80	white/chrome	transparent	761-811	775-800	790	492	77x6x193	25,7
<b>03G40101Z1</b>	PDOP1 80	white	transparent	761-811	775-800	790	492	77x6x193	25,7
<b>03G40300Z1</b>	PDOP1 80	black	transparent	761-811	775-800	790	492	77x6x193	25,7
<b>03G40C00Z1</b>	PDOP1 80	bright alu	transparent	761-811	775-800	790	492	77x6x193	25,7
<b>03G40U00Z1</b>	PDOP1 80	satin	transparent	761-811	775-800	790	492	77x6x193	25,7
<b>03G70100Z1</b>	PDOP1 90	white/chrome	transparent	861-911	875-900	890	592	87x6x193	29,2
<b>03G70101Z1</b>	PDOP1 90	white	transparent	861-911	875-900	890	592	87x6x193	29,2
<b>03G70300Z1</b>	PDOP1 90	black	transparent	861-911	875-900	890	592	87x6x193	29,2
<b>03G70C00Z1</b>	PDOP1 90	bright alu	transparent	861-911	875-900	890	592	87x6x193	29,2
<b>03G70U00Z1</b>	PDOP1 90	satin	transparent	861-911	875-900	890	592	87x6x193	29,2

Products are delivered within 14 days as standard.

## Extension profiles

Order No.	Type	Frame	Product dimensions (mm)	Size of packaging (cm)	Gross weight (kg)
<b>E77880119000</b>	PNPS	white	23x26x1900	2x3x191	0,6
<b>E778801319000</b>	PNPS	black	23x26x1900	2x3x191	0,6
<b>E778801U19000</b>	PNPS	satin	23x26x1900	2x3x191	0,6
<b>E778801C1900B</b>	BLNPS	bright alu	23x26x1900	2x3x191	0,4



# PDOP2 Two-piece hinged shower door



Indestructible door pivot mechanism



Adjustable by up to 40 mm from each wall, with the option of using PNPS



Pre-assembled product = simple installation

## Perfect look

Ideal solution for creating a showering space in a bathroom recess 100 to 120 cm wide, or for creating a shower enclosure when combined with a PPS fixed panel.

### Don't miss it

1. Recommended drains and shower channels: Chrome, 10°, and Runway stainless steel shower channels. Zebra plastic shower channel with stainless steel grid. SN501 plastic point drain with stainless steel grid.
2. Recommended shower trays: Perseus Pro, Perseus Pro Flat, Perseus Pro Chrome, Perseus Pro 10°, Gigant, Gigant Pro, Gigant Pro Flat, Gigant Pro Chrome, Gigant Pro 10°, Angela.
3. 6 mm safety glass with patented RAVAK AntiCalc® treatment.
4. Adjustable up to 40 mm from each wall.
5. PNPS extension profile for widening the door by 2 cm. A maximum of 2 profiles can be used on each side.

Shower trays → 266

Shower channels → 298

Seats → 258

Taps → 538

Accessories → 650



# Pivot PDOP2

## Finish



## Standard panel material



## Non-standard panel material



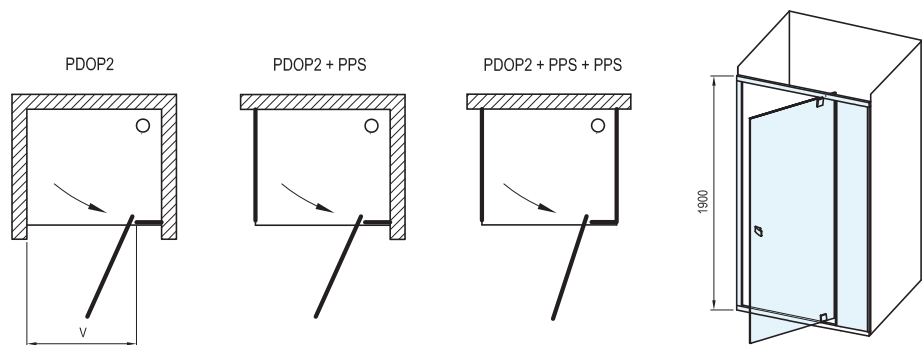
Height  
1900 mm

Order No.	Type	Frame	Panel	Product dimensions (mm)	Product dimensions in mm - installation with PPS	Product dimensions in mm - installation with PPS+PPS	„V“ entrance (mm)	Size of packaging (cm)	Gross weight (kg)
<b>03GA0100Z1</b>	PDOP2 100	white/chrome	transparent	961-1011	975-1000	990	492	97x6x193	32,8
<b>03GA0101Z1</b>	PDOP2 100	white	transparent	961-1011	975-1000	990	492	97x6x193	32,8
<b>03GA0300Z1</b>	PDOP2 100	black	transparent	961-1011	975-1000	990	492	97x6x193	32,8
<b>03GA0C00Z1</b>	PDOP2 100	bright alu	transparent	961-1011	975-1000	990	492	97x6x193	32,8
<b>03GA0U00Z1</b>	PDOP2 100	satin	transparent	961-1011	975-1000	990	492	97x6x193	32,8
<b>03GD0100Z1</b> ○	PDOP2 110	white/chrome	transparent	1061-1111	1075-1100	1090	592	107x6x193	36,4
<b>03GD0101Z1</b> ○	PDOP2 110	white	transparent	1061-1111	1075-1100	1090	592	107x6x193	36,4
<b>03GD0300Z1</b> ○	PDOP2 110	black	transparent	1061-1111	1075-1100	1090	592	107x6x193	36,4
<b>03GD0C00Z1</b> ○	PDOP2 110	bright alu	transparent	1061-1111	1075-1100	1090	592	107x6x193	36,4
<b>03GD0U00Z1</b> ○	PDOP2 110	satin	transparent	1061-1111	1075-1100	1090	592	107x6x193	36,4
<b>03GG0100Z1</b> ○	PDOP2 120	white/chrome	transparent	1161-1211	1175-1200	1190	592	117x6x193	39,9
<b>03GG0101Z1</b> ○	PDOP2 120	white	transparent	1161-1211	1175-1200	1190	592	117x6x193	39,9
<b>03GG0300Z1</b> ○	PDOP2 120	black	transparent	1161-1211	1175-1200	1190	592	117x6x193	39,9
<b>03GG0C00Z1</b> ○	PDOP2 120	bright alu	transparent	1161-1211	1175-1200	1190	592	117x6x193	39,9
<b>03GG0U00Z1</b> ○	PDOP2 120	satin	transparent	1161-1211	1175-1200	1190	592	117x6x193	39,9

○ Delivery time is 6 weeks.  
Other products are delivered within 14 days as standard.

## Extension profiles

Order No.	Type	Frame	Product dimensions (mm)	Size of packaging (cm)	Gross weight (kg)
<b>E778801119000</b>	PNPS	white	23x26x1900	2x3x191	0,6
<b>E778801319000</b>	PNPS	black	23x26x1900	2x3x191	0,6
<b>E778801U19000</b>	PNPS	satin	23x26x1900	2x3x191	0,6
<b>E778801C1900B</b>	BLNPS	bright alu	23x26x1900	2x3x191	0,4



**PPS** Fixed panel



Indestructible door pivot mechanism



Adjustable by up to 40 mm from each wall, with the option of using PNPS



Pre-assembled product = simple installation

**Perfect look**

The space next to the fixed panel can serve as the perfect spot for your washing machine, washbasin, or toilet.

**Don't miss it**

- 1.** Recommended drains and shower channels: Chrome, 10°, and Runway stainless steel shower channels. Zebra plastic shower channel with stainless steel grid. SN501 plastic point drain with stainless steel grid.
- 2.** Recommended shower trays: Perseus Pro, Perseus Pro Flat, Perseus Pro Chrome, Perseus Pro 10°, Gigant, Gigant Pro, Gigant Pro Flat, Gigant Pro Chrome, Gigant Pro 10°, Angela.
- 3.** 6 mm safety glass with patented RAVAK AntiCalc® treatment.
- 4.** Cannot be used separately. Designed for use with PDOP1 or PDOP2 shower doors. Simple installation by clipping onto the shower door.
- 1.** Two PPS fixed panels can be combined with a PDOP1 or PDOP2 door to create a U-shaped shower enclosure.

Shower trays → 266

Shower channels → 298

Seats → 258

Taps → 538

Accessories → 650



# Pivot PPS

## Finish



## Standard panel material



## Non-standard panel material



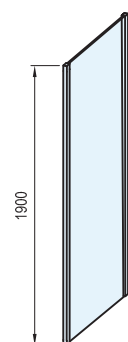
Height  
1900 mm

Order No.	Type	Frame	Panel	Product dimensions (mm)	Size of packaging (cm)	Gross weight (kg)
<b>90G40100Z1</b>	PPS 80	white	transparent	770-795	77x4x193	24,4
<b>90G40300Z1</b>	PPS 80	black	transparent	770-795	77x4x193	24,4
<b>90G40C00Z1</b>	PPS 80	bright alu	transparent	770-795	77x4x193	24,4
<b>90G40U00Z1</b>	PPS 80	satin	transparent	770-795	77x4x193	24,4
<b>90G70100Z1</b>	PPS 90	white	transparent	870-895	87x4x193	27,6
<b>90G70300Z1</b>	PPS 90	black	transparent	870-895	87x4x193	27,6
<b>90G70C00Z1</b>	PPS 90	bright alu	transparent	870-895	87x4x193	27,6
<b>90G70U00Z1</b>	PPS 90	satin	transparent	870-895	87x4x193	27,6
<b>90GA0100Z1</b>	PPS 100	white	transparent	970-995	97x4x193	30,8
<b>90GA0300Z1</b>	PPS 100	black	transparent	970-995	97x4x193	30,8
<b>90GA0C00Z1</b>	PPS 100	bright alu	transparent	970-995	97x4x193	30,8
<b>90GA0U00Z1</b>	PPS 100	satin	transparent	970-995	97x4x193	30,8

Products are delivered within 14 days as standard.

## Extension profiles

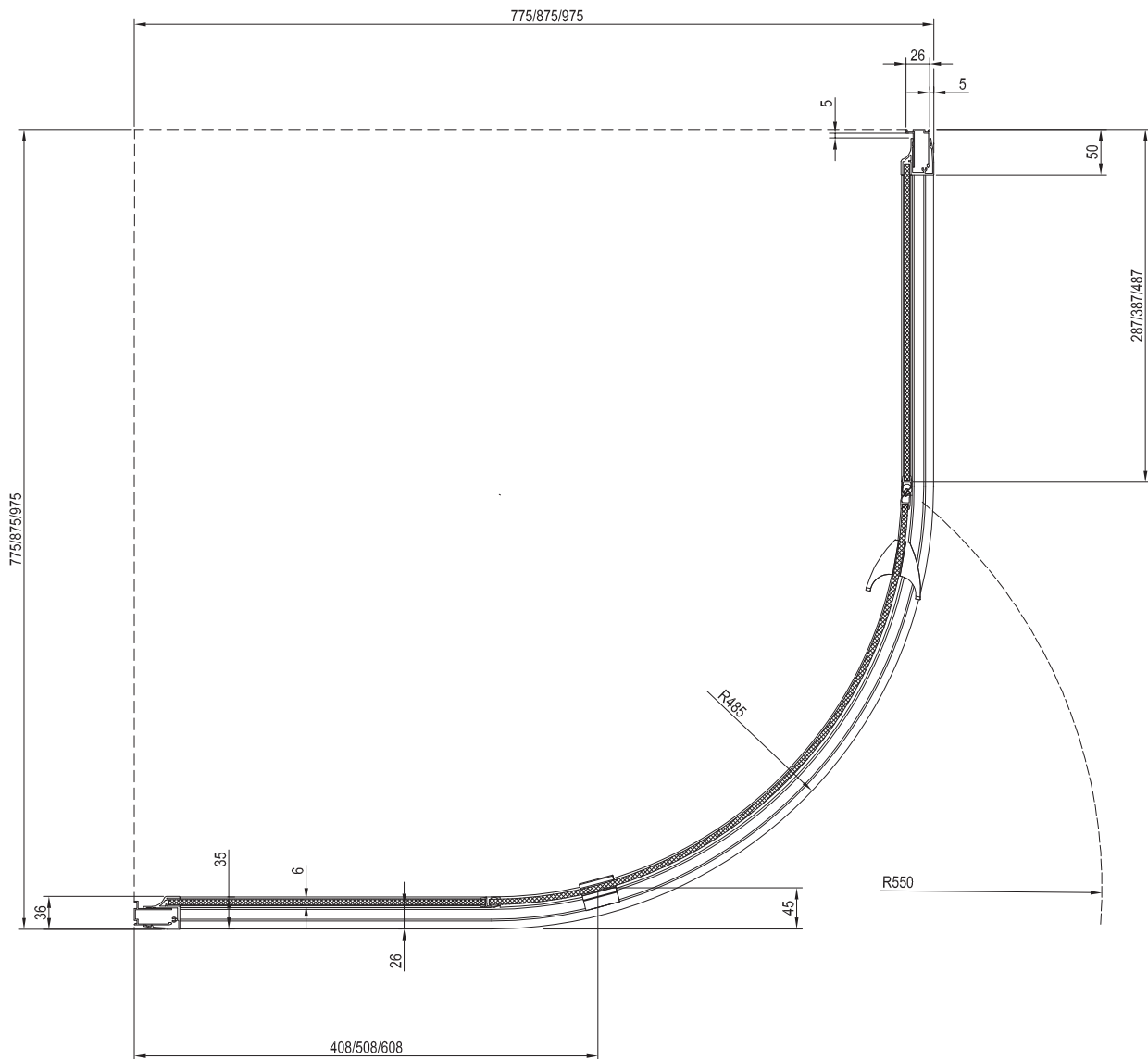
Order No.	Type	Frame	Product dimensions (mm)	Size of packaging (cm)	Gross weight (kg)
<b>E77880119000</b>	PNPS	white	23x26x1900	2x3x191	0,6
<b>E778801319000</b>	PNPS	black	23x26x1900	2x3x191	0,6
<b>E778801U19000</b>	PNPS	satin	23x26x1900	2x3x191	0,6
<b>E778801C1900B</b>	BLNPS	bright alu	23x26x1900	2x3x191	0,4



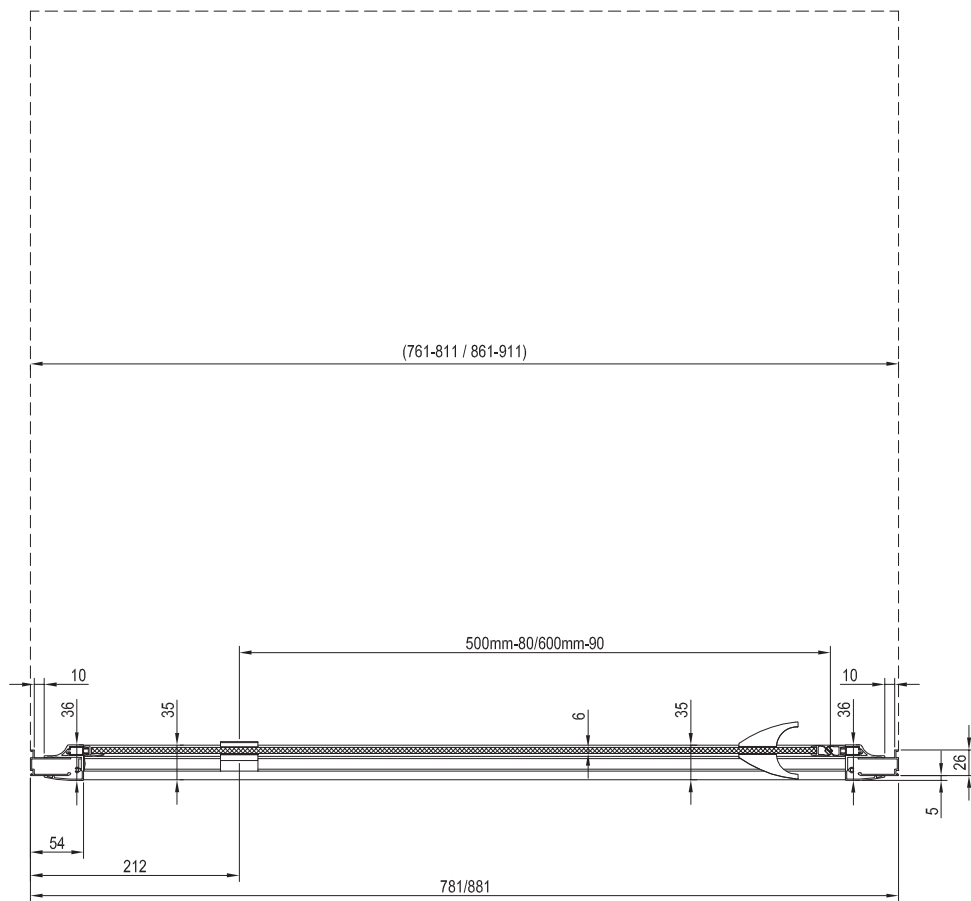
# PSKK3 Construction prerequisites

Type	Mounting onto a tray* Recommended shower tray size (mm)	Floor mounting** Recommended size of inclined area (mm)
<b>PSKK3 - 80</b>	800 x 800, R 500	In accordance with technical drawings
<b>PSKK3 - 90</b>	900 x 900, R 500	In accordance with technical drawings
<b>PSKK3 - 100</b>	1000 x 1000, R 500	In accordance with technical drawings

\* The values listed in the table assume that the tray is installed in accordance with the RAVAK assembly manual.  
 \*\* The values in the table apply to the inside edge of the glass.



# PDOP1 Construction prerequisites

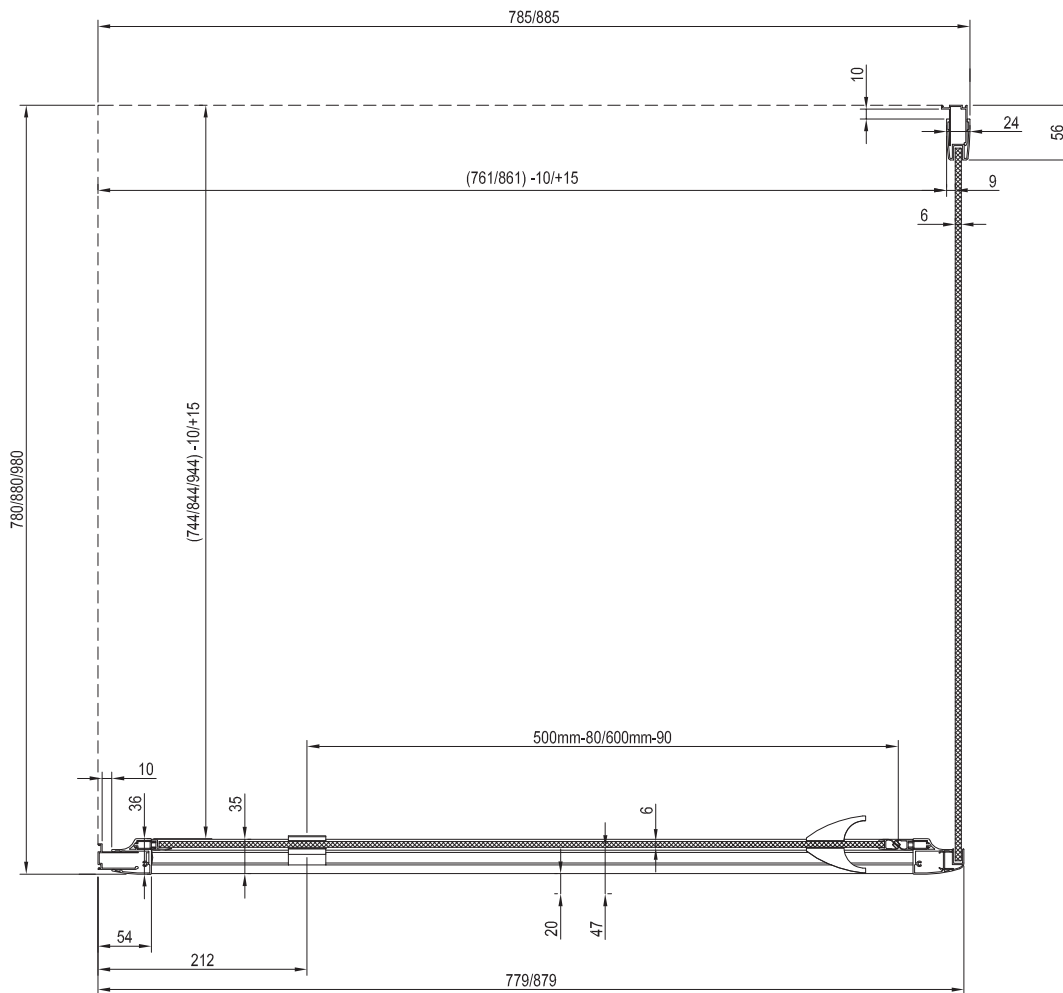


# PDOP1 + PPS Construction prerequisites

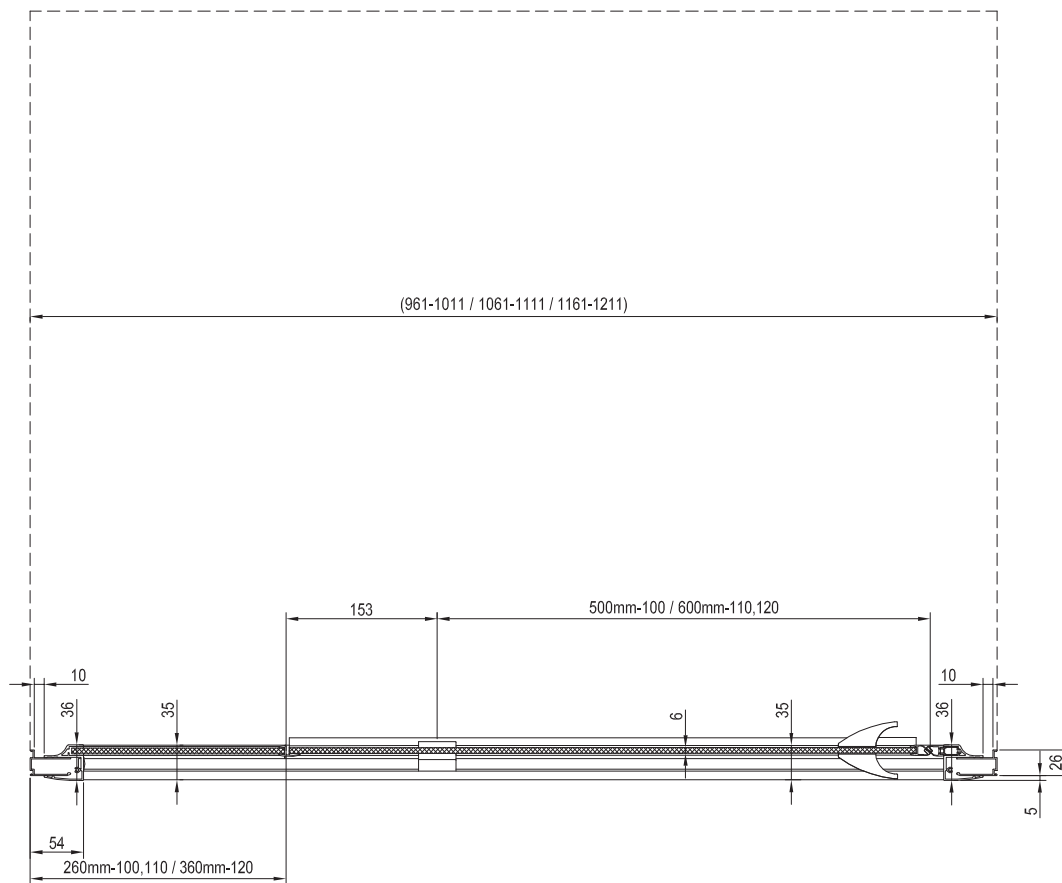
Type	Mounting onto a tray * Recommended shower tray size (mm)	Floor mounting ** Recommended size of inclined area (mm)
<b>PDOP1 - 80 + PPS - 80</b>	800 x 800	761 x 744
<b>PDOP1 - 90 + PPS - 90</b>	900 x 900	861 x 844

\* The values listed in the table assume that the tray is installed in accordance with the RAVAK assembly manual.

\*\* The values in the table apply to the inside edge of the glass.



# PDOP2 Construction prerequisites

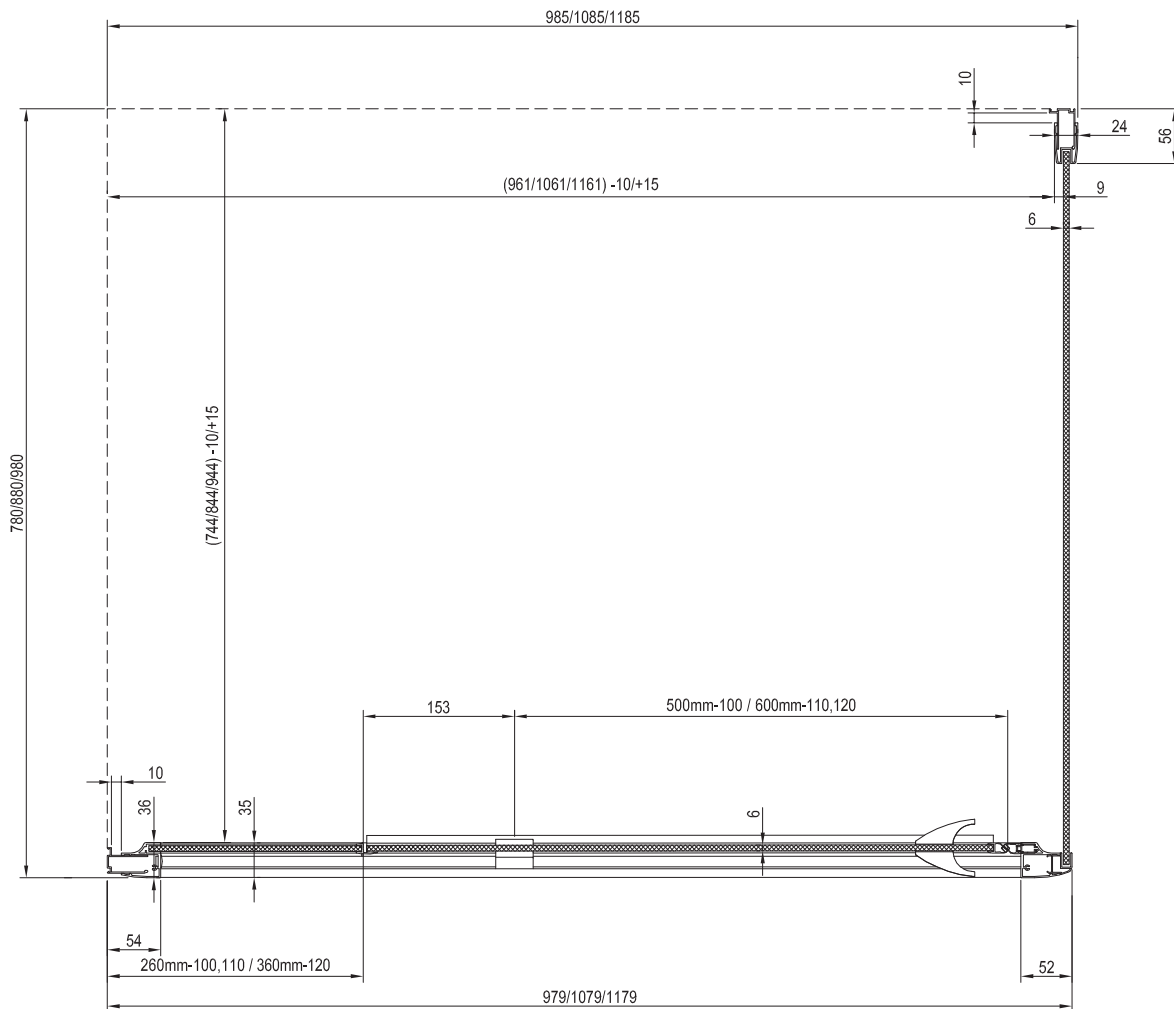


# PDOP2 + PPS Construction prerequisites

Type	Mounting onto a tray* Recommended shower tray size (mm)	Floor mounting** Recommended size of inclined area (mm)
PDOP2 - 100 + PPS - 80	1000 x 800	961 x 744
PDOP2 - 100 + PPS - 100	1000 x 1000	961 x 944
PDOP2 - 110 + PPS - 80	1100 x 800	1061 x 744
PDOP2 - 120 + PPS - 80	1200 x 800	1161 x 744
PDOP2 - 120 + PPS - 90	1200 x 900	1161 x 844

\* The values listed in the table assume that the tray is installed in accordance with the RAVAK assembly manual.


\*\* The values in the table apply to the inside edge of the glass.




## Wall profiles and extension profiles

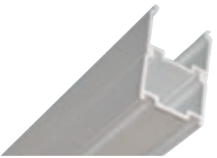
Order No.	Type	Frame	Product dimensions (mm)	Size of packaging (cm)	Gross weight (kg)
E77880119000	PNPS	white	23x26x1900	2x3x191	0,6
E778801319000	PNPS	black	23x26x1900	2x3x191	0,6
E778801U19000	PNPS	satin	23x26x1900	2x3x191	0,6
E778801C1900B	BLNPS	bright alu	23x26x1900	2x3x191	0,4

### Wall profiles and extension profiles




EXTENSION PROFILE

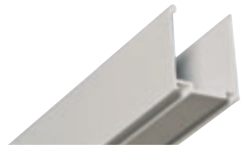




**Extension profiles**  
Allow you to adjust (widen) the shower enclosure or door by 2 cm each time. Maximum 2 profiles per side.  
**Extension profiles are available for the following shower enclosure and door ranges: Nexty, Pivot, Blix and Supernova.**



**Extension profile, also in black version, for the Pivot and Nexty ranges.**



**Wall profile**  
Used to fix the shower enclosure or door to the wall.  
**Not sold separately, but included with any product it is required for.**

# Blix Slim



5

5-YEAR WARRANTY ON ALL SHOWER ENCLOSURES AND DOORS

6 mm

GLASS THICKNESS



**GLASS PROTECTION**  
The glass is protected by RAVAK AntiCalc® surface treatment technology.



**TILTING OF THE GLASS**  
Easy cleaning of hard-to-reach places



**EASY MAINTENANCE**  
No profiles or inaccessible places



**Modern slim frame**

The slim proportions of the frame lend the shower enclosure a youthful touch while keeping the bathroom visually light



**Black finish**

Available in two finishes



**Simple cleaning**

Smart mechanism for tilting the door glass facilitates cleaning, making even seemingly hard-to-reach places easily accessible

**Easy maintenance**

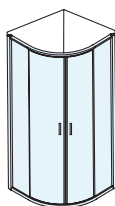
Thanks to a protective RAVAK AntiCalc® layer, the glass stays clean for longer (no limescale sediments)

**Concealed wall profile**

Thanks to the new adjustability system, the vertical profile remains compact

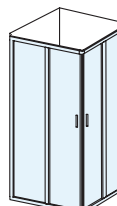
**Sliding door**

Saves space by not extending into the bathroom area, and prevents water from dripping off onto the floor

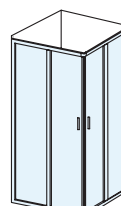


BLSCP4

Quadrant shower enclosures > 148

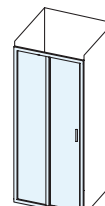


BLSRV2



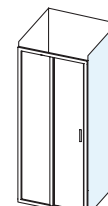
BLSRV2K+BLSRV2K

Corner shower enclosures > 150



BLSDP2

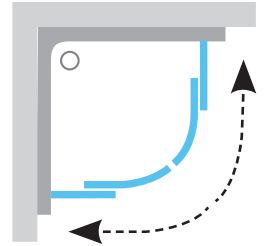
Shower doors > 154



BLSPS

Fixed panel > 156

# BLSCP4 Four-piece quadrant sliding shower enclosure



The sliding system saves space and prevents water from dripping outside the enclosure



SilentRun system ensures the door moves smoothly and quietly



Tilting door mechanism = easy cleaning

## Timeless framed design

Thanks to the slim frame and absence of internal vertical profiles, the shower enclosure appears light and airy.

### Don't miss it

- 1.** Recommended drains and shower channels: Chrome, 10°, and Runway stainless steel shower channels. Zebra plastic shower channel with stainless steel grid. SN501 plastic point drain with stainless steel grid.
- 2.** Recommended shower trays: Elipso, Elipso Pro, Elipso Pro Flat, Elipso Pro Chrome, Ronda.
- 3.** 6 mm safety glass with patented RAVAK AntiCalc® treatment.
- 4.** Completely encased all-metal sliding system with ball bearings.
- 5.** Radius: 500 mm.

Shower trays → 266

Shower channels → 298

Seats → 258

Taps → 538

Accessories → 650

**5**5-YEAR  
WARRANTY**6**  
mmGLASS  
THICKNESSTILTING  
GLASSGLASS  
PROTECTION  
ANTICALC

# Blix Slim BLSCP4

## Finish



BRIGHT ALU



BLACK

## Standard panel material

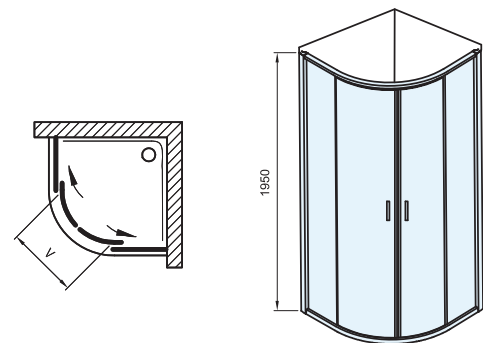


TRANSPARENT

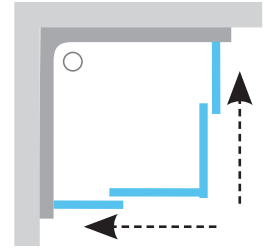
Height  
1950 mm

Order No.	Type	Frame	Panel	Product dimensions (mm)	„V“ entrance (mm)	Size of packaging (cm)	Gross weight (kg)
<b>X3BM40300Z1</b>	BLSCP4 80x80	black	transparent	786-800x786-800	485	54x22x197	45,0
<b>X3BM40C00Z1</b>	BLSCP4 80x80	bright alu	transparent	786-800x786-800	485	54x22x197	45,0
<b>X3BM70300Z1</b>	BLSCP4 90x90	black	transparent	886-900x886x900	485	54x22x197	51,0
<b>X3BM70C00Z1</b>	BLSCP4 90x90	bright alu	transparent	886-900x886x900	485	54x22x197	51,0

Products are delivered within 14 days as standard.



# **BLSRV2** Four-piece corner sliding shower enclosure



The sliding system saves space and prevents water from dripping outside the enclosure



SilentRun system ensures the door moves smoothly and quietly



Tilting door mechanism = easy cleaning

## **Timeless framed design**

Thanks to the slim frame and absence of internal vertical profiles, the shower enclosure appears light and airy.

### **Don't miss it**

- 1.** Recommended drains and shower channels: Chrome, 10°, and Runway stainless steel shower channels. Zebra plastic shower channel with stainless steel grid. SN501 plastic point drain with stainless steel grid.
- 2.** Recommended shower trays: Perseus Pro, Perseus Pro Flat, Perseus Pro Chrome, Perseus Pro 10°, Angela.
- 3.** 6 mm safety glass with patented RAVAK AntiCalc® treatment.
- 4.** Completely encased all-metal sliding system with ball bearings.

Shower trays → 266

Shower channels → 298

Seats → 258

Taps → 538

Accessories → 650



5-YEAR WARRANTY



GLASS THICKNESS



TILTING GLASS



GLASS PROTECTION ANTICALC

# Blix Slim BLSRV2

## Finish



BRIGHT ALU



BLACK

## Standard panel material

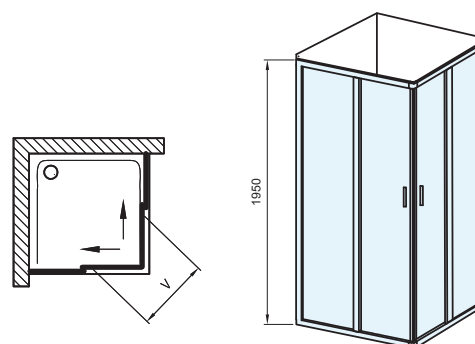


TRANSPARENT

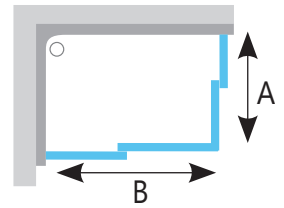
Height  
1950 mm

Order No.	Type	Frame	Panel	Product dimensions (mm)	„V“ entrance (mm)	Size of packaging (cm)	Gross weight (kg)
<b>X1LM40C00Z1</b>	BLSRV2 80x80	bright alu	transparent	786-800x786-800	410	51x15x197	50,0
<b>X1LM40300Z1</b>	BLSRV2 80x80	black	transparent	786-800x786-800	410	51x15x197	50,0
<b>X1LM70C00Z1</b>	BLSRV2 90x90	bright alu	transparent	886-900x886x900	480	51x15x197	56,0
<b>X1LM70300Z1</b>	BLSRV2 90x90	black	transparent	886-900x886x900	480	51x15x197	56,0

Products are delivered within 14 days as standard.



# **BLSRV2K + BLSRV2K** Four-piece corner sliding shower enclosure



The sliding system saves space and prevents water from dripping outside the enclosure



SilentRun system ensures the door moves smoothly and quietly



Tilting door mechanism = easy cleaning

## **Timeless framed design**

Option to create a shower enclosure in various sizes, with corner entry and in a square or rectangular layout.

### **Don't miss it**

- 1.** Recommended drains and shower channels: Chrome, 10°, and Runway stainless steel shower channels. Zebra plastic shower channel with stainless steel grid. SN501 plastic point drain with stainless steel grid.
- 2.** Recommended shower trays: Perseus Pro, Perseus Pro Flat, Perseus Pro Chrome, Perseus Pro 10°, Gigant, Gigant Pro, Gigant Pro Flat, Gigant Pro Chrome, Gigant Pro 10°, Angela.
- 3.** To complete a shower enclosure, at least two items must always be ordered. The product cannot be used separately as a shower door or in combination with a fixed panel.
- 4.** 6 mm safety glass with patented RAVAK AntiCalc® treatment.

Shower trays → 266

Shower channels → 298

Seats → 258

Taps → 538

Accessories → 650



5-YEAR WARRANTY



GLASS THICKNESS



TILTING GLASS



GLASS PROTECTION ANTICALC

# Blix Slim BLSRV2K + BLSRV2K

Finish



BRIGHT ALU



BLACK

Standard panel material

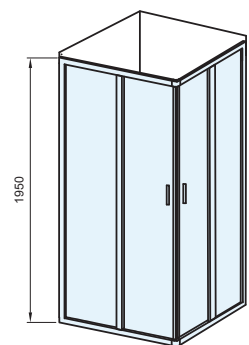
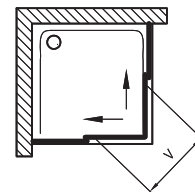


TRANSPARENT

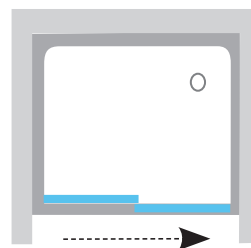
Height  
1950 mm

Order No.	Type	Frame	Panel	Product dimensions (mm)	„V“ entrance (mm)	Size of packaging (cm)	Gross weight (kg)
<b>X1XM40300Z1</b>	BLSRV2K 80	black	transparent	786-800	410	51x9x197	29,0
<b>X1XM40C00Z1</b>	BLSRV2K 80	bright alu	transparent	786-800	410	51x9x197	29,0
<b>X1XM70300Z1</b>	BLSRV2K 90	black	transparent	886-900	480	51x9x197	32,0
<b>X1XM70C00Z1</b>	BLSRV2K 90	bright alu	transparent	886-900	480	51x9x197	32,0
<b>X1XMA0300Z1</b>	BLSRV2K 100	black	transparent	986-1000	550	55x9x197	35,0
<b>X1XMA0C00Z1</b>	BLSRV2K 100	bright alu	transparent	986-1000	550	55x9x197	35,0
<b>X1XMG0300Z1</b>	BLSRV2K 120	black	transparent	1186-1200	550	55x9x197	41,0
<b>X1XMG0C00Z1</b>	BLSRV2K 120	bright alu	transparent	1186-1200	550	55x9x197	41,0

Products are delivered within 14 days as standard.



# BLSDP2 Two-piece sliding shower door



The sliding system saves space and prevents water from dripping outside the enclosure



SilentRun system ensures the door moves smoothly and quietly



Tilting door mechanism = easy cleaning

## Timeless framed design

Ideal solution for creating a showering space in a bathroom recess 100 to 120 cm wide, or for creating a shower enclosure when combined with a BLSPS fixed panel.

### Don't miss it

1. Recommended drains and shower channels: Chrome, 10°, and Runway stainless steel shower channels. Zebra plastic shower channel with stainless steel grid. SN501 plastic point drain with stainless steel grid.
2. Recommended shower trays: Perseus Pro, Perseus Pro Chrome, Gigant, Gigant Pro, Gigant Pro Flat, Gigant Pro Chrome, Gigant Pro 10°.
3. 6 mm safety glass with patented RAVAK AntiCalc® treatment.
4. Completely encased all-metal sliding system with ball bearings.
5. The door can be connected to a fixed panel.

Shower trays → 266

Shower channels → 298

Seats → 258

Taps → 538

Accessories → 650

5

5-YEAR WARRANTY

6 mm

GLASS THICKNESS



TILTING GLASS



L/R OPTION 180°

# Blix Slim BLSDP2

## Finish



BRIGHT ALU



BLACK

## Standard panel material

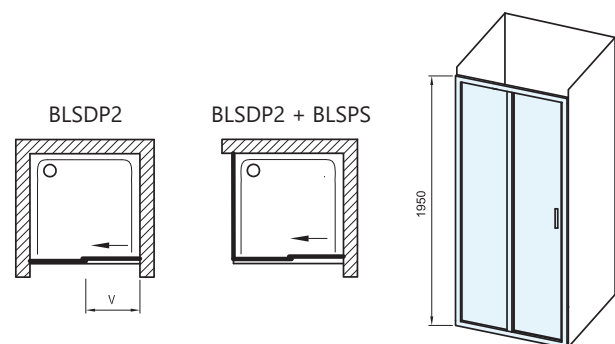


TRANSPARENT

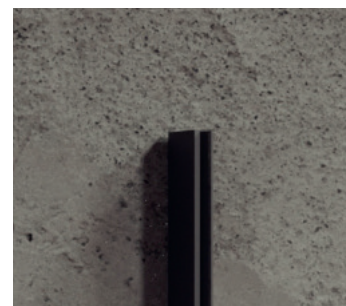
Height  
1950 mm

Order No.	Type	Frame	Panel	Product dimensions (mm)	Product dimensions in mm - installation with BLSPS	„V“ entrance (mm)	Size of packaging (cm)	Gross weight (kg)
<b>XOPMA0300Z1</b>	BLSDP2 100	black	transparent	977-1005	990-1018	400	69x10x197	34,0
<b>XOPMA0C00Z1</b>	BLSDP2 100	bright alu	transparent	977-1005	990-1018	400	69x10x197	34,0
<b>XOPMD0300Z1</b>	BLSDP2 110	black	transparent	1077-1105	1090-1118	450	69x10x197	37,0
<b>XOPMD0C00Z1</b>	BLSDP2 110	bright alu	transparent	1077-1105	1090-1118	450	69x10x197	37,0
<b>XOPMG0300Z1</b>	BLSDP2 120	black	transparent	1177-1205	1190-1218	500	69x10x197	40,0
<b>XOPMG0C00Z1</b>	BLSDP2 120	bright alu	transparent	1177-1205	1190-1218	500	69x10x197	40,0

Products are delivered within 14 days as standard..



# BLSPS

 Fixed panel, for combination with BLSD2

Concealed wall profile

## Timeless framed design

The space next to the fixed panel can serve as the perfect spot for your washing machine, washbasin, or toilet.

### Don't miss it

- 1.** Recommended drains and shower channels: Chrome, 10°, and Runway stainless steel shower channels. Zebra plastic shower channel with stainless steel grid. SN501 plastic point drain with stainless steel grid.
- 2.** Recommended shower trays: Gigant, Gigant Pro, Gigant Pro Flat, Gigant Pro Chrome, Gigant Pro 10°.
- 3.** 6 mm safety glass with patented RAVAK AntiCalc® treatment.
- 4.** The product is not designed for stand-alone use! Only for installation alongside the BLSDP2 shower door.

Shower trays → 266

Shower channels → 298

Seats → 258

Taps → 538

Accessories → 650



5-YEAR WARRANTY



GLASS THICKNESS



GLASS PROTECTION ANTICALC



L/R OPTION 180°

# Blix Slim BLSPS

## Finish



BRIGHT ALU



BLACK

## Standard panel material

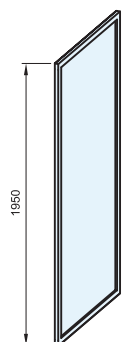


TRANSPARENT

Height  
1950 mm

Order No.	Type	Frame	Panel	Product dimensions (mm)	Size of packaging (cm)	Gross weight (kg)
<b>X9BM40300Z1</b>	BLSPS 80	black	transparent	785-800	84x6x199	25,6
<b>X9BM40C00Z1</b>	BLSPS 80	bright alu	transparent	785-800	84x6x199	25,6
<b>X9BM70300Z1</b>	BLSPS 90	black	transparent	885-900	94x6x199	29,0
<b>X9BM70C00Z1</b>	BLSPS 90	bright alu	transparent	885-900	94x6x199	29,0

Products are delivered within 14 days as standard.

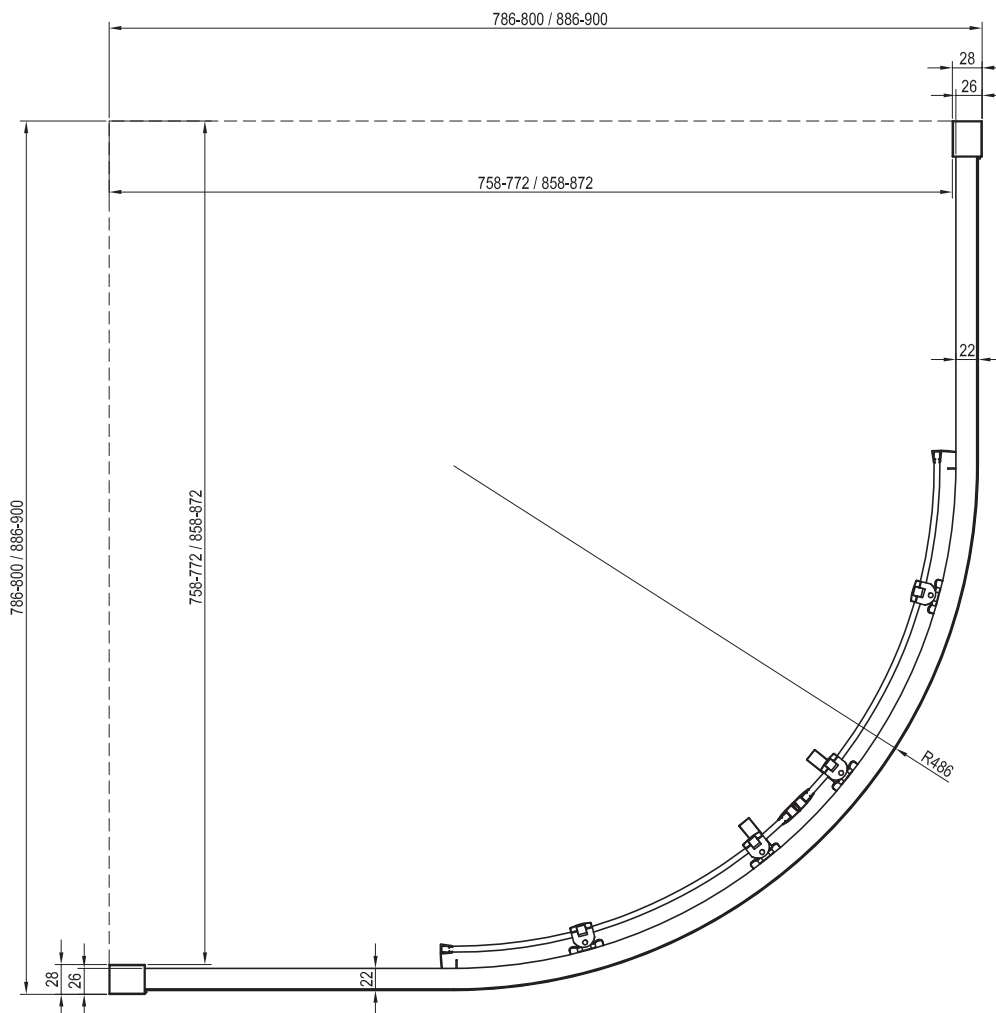


# BLSCP4 Construction prerequisites

Type	Mounting onto a tray* Recommended shower tray size (mm)	Floor mounting** Recommended size of inclined area (mm)
<b>BLSCP4 - 80</b>	800 x 800, R 500	In accordance with technical drawings
<b>BLSCP4 - 90</b>	900 x 900, R 500	In accordance with technical drawings

\* The values listed in the table assume that the tray is installed in accordance with the RAVAK assembly manual.

\*\* The values in the table apply to the inside edge of the glass.

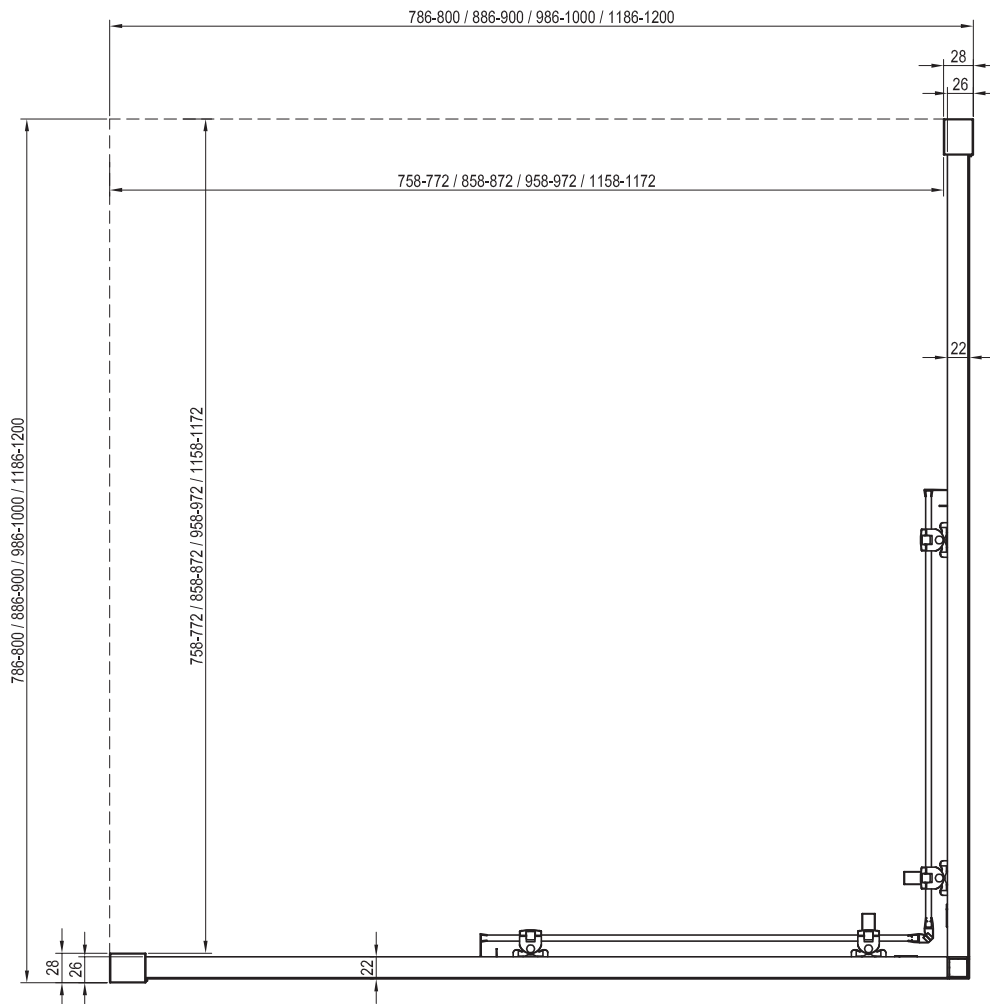


# BLSRV2 Construction prerequisites

Type	Mounting onto a tray * Recommended shower tray size (mm)	Floor mounting ** Recommended size of inclined area (mm)
<b>BLSRV2 - 80</b>	800 x 800	765 x 765
<b>BLSRV2 - 90</b>	900 x 900	865 x 865

\* The values listed in the table assume that the tray is installed in accordance with the RAVAK assembly manual.

\*\* The values in the table apply to the inside edge of the glass.

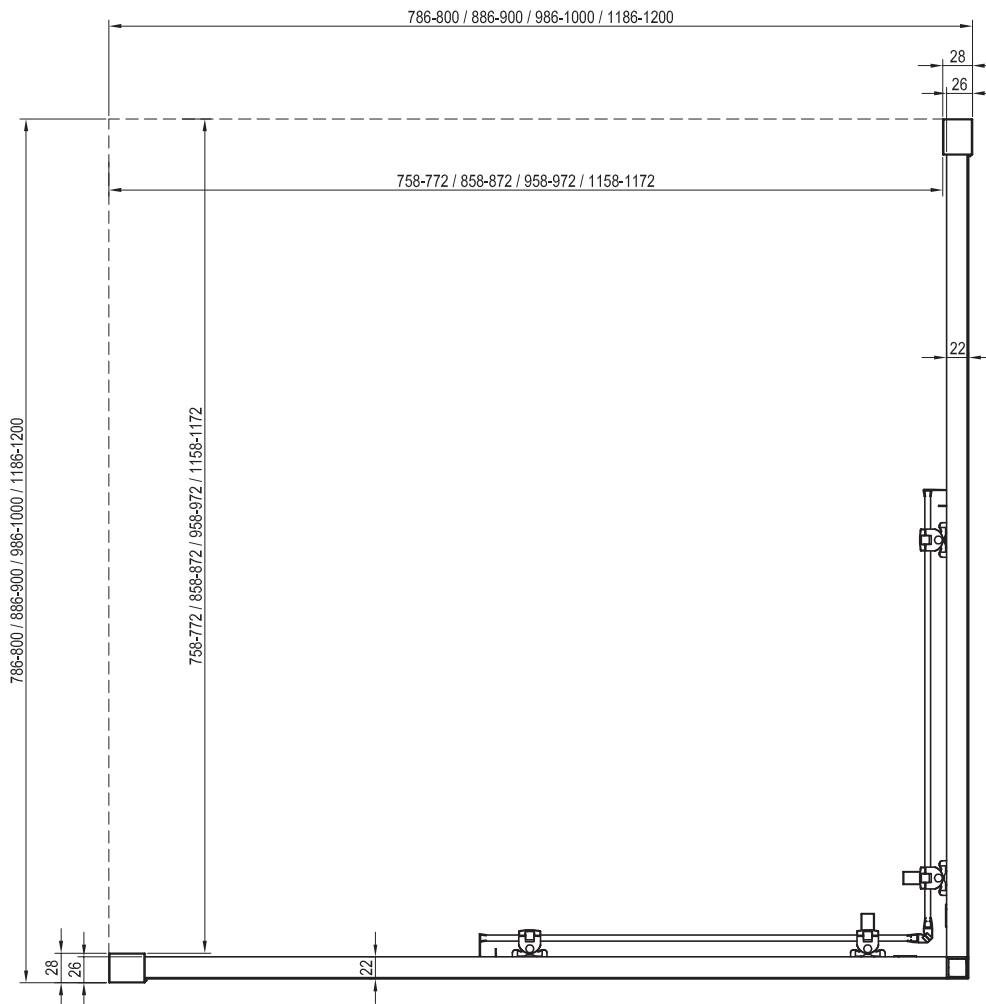


# BLSRV2K + BLSRV2K Construction prerequisites

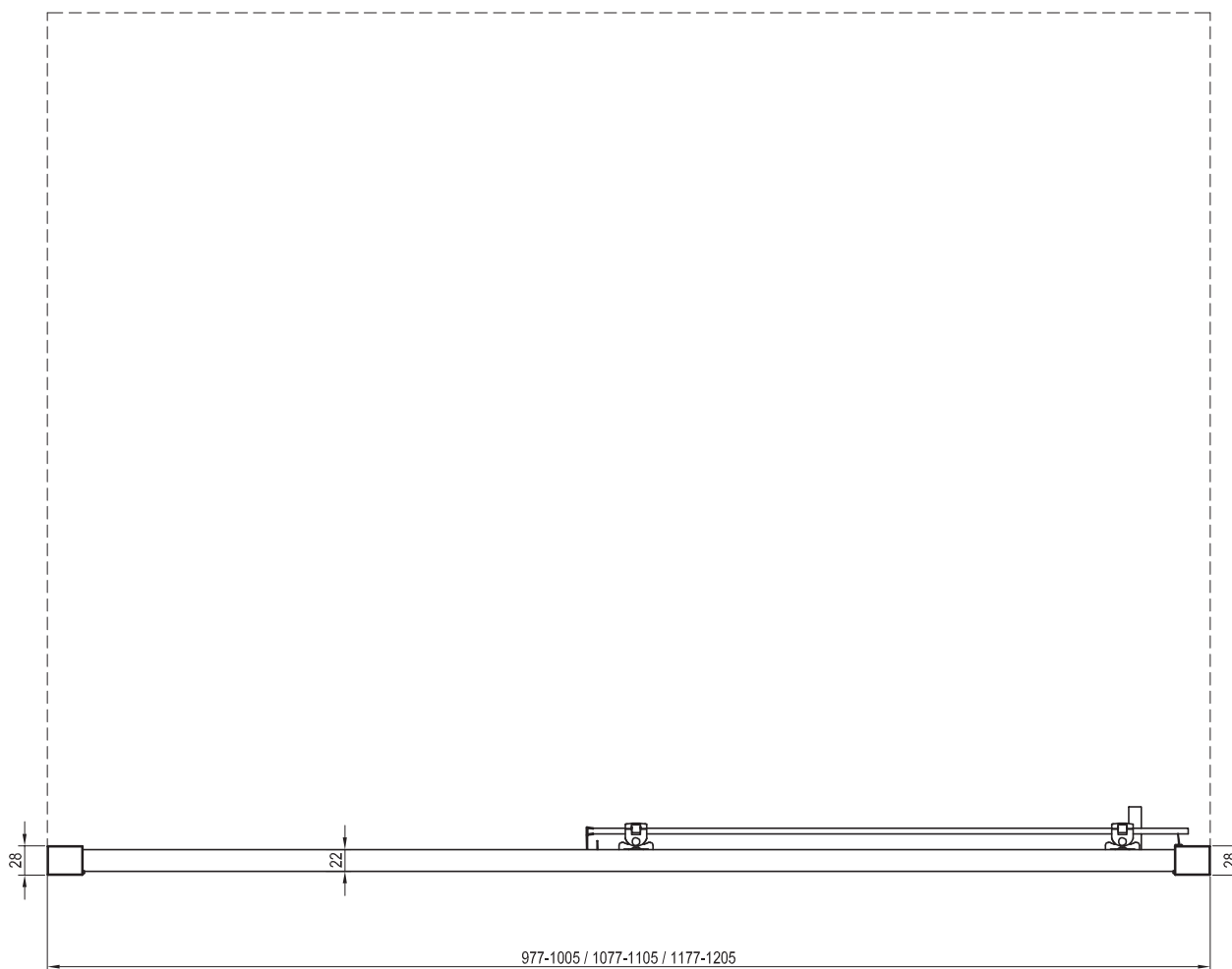
Type	Mounting onto a tray* Recommended shower tray size (mm)	Floor mounting** Recommended size of inclined area (mm)
<b>BLSRV2K - 80 + BLSRV2K - 80</b>	800 x 800	765 x 765
<b>BLSRV2K - 90 + BLSRV2K - 90</b>	900 x 900	865 x 865
<b>BLSRV2K - 100 + BLSRV2K - 100</b>	1000 x 1000	965 x 965
<b>BLSRV2K - 100 + BLSRV2K - 80</b>	1000 x 800	965 x 765
<b>BLSRV2K - 120 + BLSRV2K - 80</b>	1200 x 800	1165 x 765
<b>BLSRV2K - 120 + BLSRV2K - 90</b>	1200 x 900	1165 x 865
<b>Other combinations</b>	-	In accordance with technical drawings

\* The values listed in the table assume that the tray is installed in accordance with the RAVAK assembly manual.

\*\* The values in the table apply to the inside edge of the glass.



# BLSDP2 Construction prerequisites

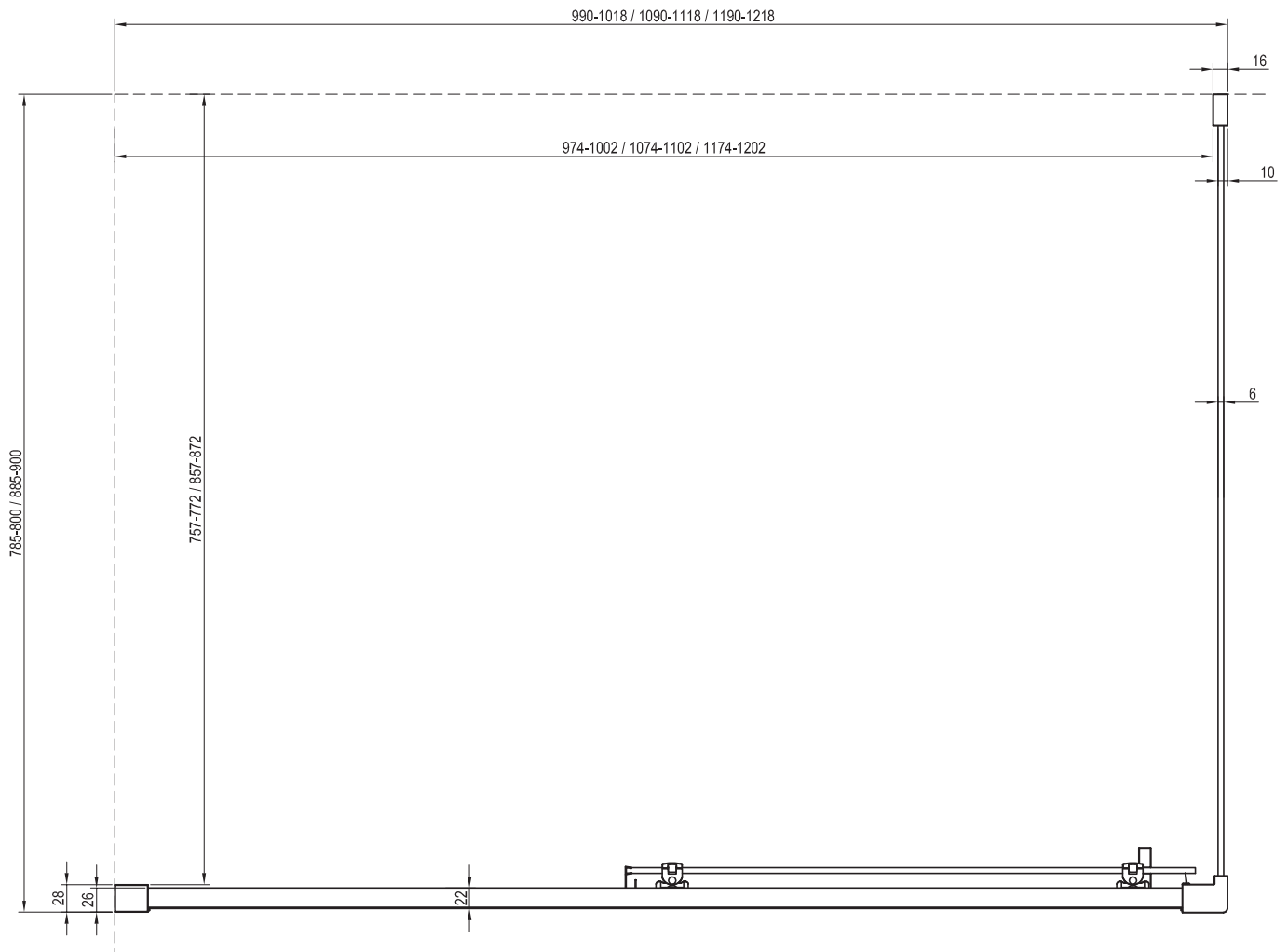


# BLSDP2 + BLSPS Construction prerequisites

Type	Mounting onto a tray * Recommended shower tray size (mm)	Floor mounting ** Recommended size of inclined area (mm)
<b>BLSDP2 - 100 + BLSPS - 80</b>	1000 x 800	988 x 765
<b>BLSDP2 - 110 + BLSPS - 80</b>	1100 x 800	1088 x 765
<b>BLSDP2 - 120 + BLSPS - 80</b>	1200 x 800	1188 x 765
<b>BLSDP2 - 120 + BLSPS - 90</b>	1200 x 900	1188 x 865
<b>Other combinations</b>	-	In accordance with technical drawings

\* The values listed in the table assume that the tray is installed in accordance with the RAVAK assembly manual.

\*\* The values in the table apply to the inside edge of the glass.





# Blix II

**new**



5

5-YEAR WARRANTY ON ALL SHOWER ENCLOSURES AND DOORS

6 mm

GLASS THICKNESS



GLASS PROTECTION

The glass is protected by RAVAK AntiCalc® surface treatment technology.



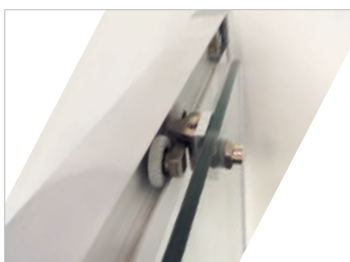
SILENT MOVEMENT

Silent movement of your shower enclosure



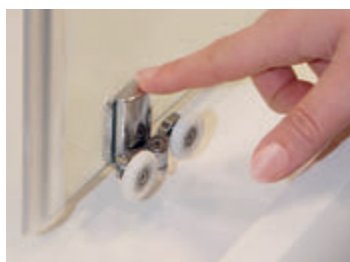
LIFTING MECHANISM

Lifts the door and secures it in its basic position



**Sliding door**

Saves space by not extending into the bathroom area, and prevents water from dripping off onto the floor

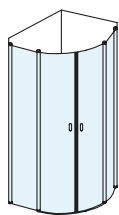


**Simple cleaning**

Smart mechanism for tilting the door glass facilitates cleaning, making even seemingly hard-to-reach places easily accessible

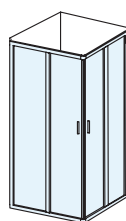
**Easy maintenance**

Thanks to a protective RAVAK AntiCalc® layer, the glass stays clean for longer (no limescale sediments)



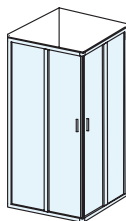
NBLCP4 / NBLCP4 Sabina

Quadrant shower enclosures > 166

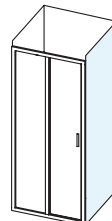


NBLRV2

Corner shower enclosures > 170

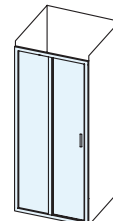


NBLRV2K+NBLRV2K



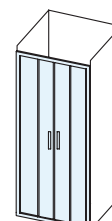
NBLPS

Fixed panel > 178



NBLDP2

Shower doors > 174



NBLDP4

# NBLCP4 Four-piece quadrant sliding shower enclosure



Sliding doors save space and keep water where it belongs



Quiet and smooth door closing with SilentRun system



Easy cleaning thanks to the hinged door mechanism

## Practical shower enclosure in modern design

Sliding doors without internal vertical profiles impress with their technical purity, easy maintenance and timeless design. Available in three colour options.

### Don't miss it

- 1.** Recommended trays with R500: Ronda, Elipso, Elipso Pro, Elipso Pro Flat, Elipso Pro Chrome.
- 2.** 6 mm safety glass with patented RAVAK AntiCalc® treatment.
- 3.** Completely encased all-metal sliding system with ball bearings.

Trays → 266

Shower channels → 298

Seats → 258

Taps → 538

Accessories → 650

5

5-YEAR  
WARRANTY6  
mmGLASS  
THICKNESS**Blix II NBLCP4**

## Finish



MATT WHITE



BRIGHT ALU



BLACK

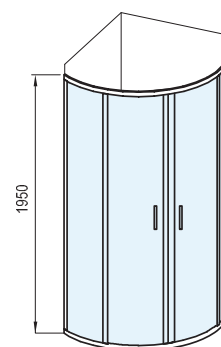
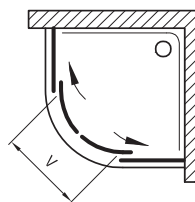
## Standard panel material



TRANSPARENT

Height  
1950 mm

Order No.	Type	Frame	Panel	Product dimensions (mm)	„V“ entrance (mm)	Size of packaging (cm)	Gross weight (kg)
<b>3BM40E00Z1</b>	NBLCP4 80x80	matt white	transparent	780-800x780-800	490	47x20x199	48,4
<b>3BM40C00Z1</b>	NBLCP4 80x80	bright alu	transparent	780-800x780-800	490	47x20x199	48,4
<b>3BM40300Z1</b>	NBLCP4 80x80	black	transparent	780-800x780-800	490	47x20x199	48,4
<b>3BM70E00Z1</b>	NBLCP4 90x90	matt white	transparent	880-900x880-900	565	47x20x199	54,6
<b>3BM70C00Z1</b>	NBLCP4 90x90	bright alu	transparent	880-900x880-900	565	47x20x199	54,6
<b>3BM70300Z1</b>	NBLCP4 90x90	black	transparent	880-900x880-900	565	47x20x199	54,6



# NBLCP4 Sabina

Four-piece quadrant sliding shower enclosure with reduced height



Sliding doors save space and keep water where it belongs



Quiet and smooth door closing with SilentRun system



Easy cleaning thanks to the hinged door mechanism

## A smart solution not only for smaller bathrooms

Special reduced-height shower enclosure for use with deep shower trays. Available in three colour options.

### Don't miss it

1. Recommended shower tray: Sabina.
2. 6 mm safety glass with patented RAVAK AntiCalc® treatment.
3. Completely encased all-metal sliding system with ball bearings.
4. The shower enclosure with reduced height (180 cm) is suitable for placement on the Sabina shower tray. The total height including the tray is 222 cm.

Trays → 266

Shower channels → 298

Seats → 258

Taps → 538

Accessories → 650

5

5-YEAR  
WARRANTY6  
mmGLASS  
THICKNESS

# Blix II NBLCP4 Sabina

Finish



MATT WHITE



BRIGHT ALU



BLACK

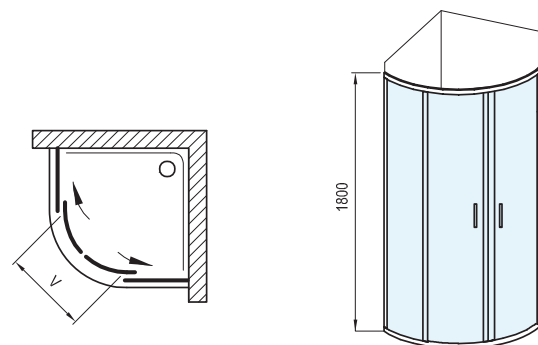
Standard panel material



TRANSPARENT

Height  
1800 mm

Order No.	Type	Frame	Panel	Product dimensions (mm)	„V“ entrance (mm)	Size of packaging (cm)	Gross weight (kg)
<b>3BM40E40Z1</b>	NBLCP4 Sabina 80x80	matt white	transparent	780-800x780-800	490	48x20x184	45,3
<b>3BM40C40Z1</b>	NBLCP4 Sabina 80x80	bright alu	transparent	780-800x780-800	490	48x20x184	45,3
<b>3BM40340Z1</b>	NBLCP4 Sabina 80x80	black	transparent	780-800x780-800	490	48x20x184	45,3
<b>3BM70E40Z1</b>	NBLCP4 Sabina 90x90	matt white	transparent	880-900x880-900	565	47x20x184	51,2
<b>3BM70C40Z1</b>	NBLCP4 Sabina 90x90	bright alu	transparent	880-900x880-900	565	47x20x184	51,2
<b>3BM70340Z1</b>	NBLCP4 Sabina 90x90	black	transparent	880-900x880-900	565	47x20x184	51,2



# NBLRV2 Four-piece corner sliding shower enclosure



Sliding doors save space and keep water where it belongs



Quiet and smooth door closing with SilentRun system



Easy cleaning thanks to the hinged door mechanism

## Practical shower enclosure in modern design

Sliding doors without internal vertical profiles impress with their technical purity, easy maintenance and timeless design. Available in three colour options.

### Don't miss it

- 1.** Recommended drains and shower channels: Runway stainless steel shower channel. Zebra plastic shower channel with stainless steel grid. SN501 plastic point drain with stainless steel grid.
- 2.** Recommended shower trays: Angela, Perseus Pro, Perseus Pro Flat, Perseus Pro Chrome.
- 3.** 6 mm safety glass with patented RAVAK AntiCalc® treatment.
- 4.** Completely encased all-metal sliding system with ball bearings.

Trays → 266

Shower channels → 298

Seats → 258

Taps → 538

Accessories → 650

5

5-YEAR  
WARRANTY6  
mmGLASS  
THICKNESS**Blix II NBLRV2**

## Finish



MATT WHITE



BRIGHT ALU



BLACK

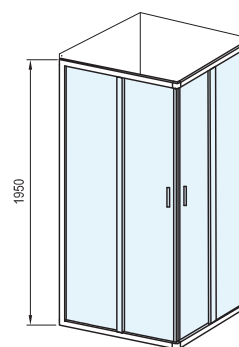
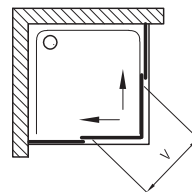
## Standard panel material



TRANSPARENT

Height  
1950 mm

Order No.	Type	Frame	Panel	Product dimensions (mm)	„V“ entrance (mm)	Size of packaging (cm)	Gross weight (kg)
<b>1LM40E00Z1</b>	NBLRV2 80x80	matt white	transparent	780-800x780-800	430	69,5x11x201,5	56,0
<b>1LM40C00Z1</b>	NBLRV2 80x80	bright alu	transparent	780-800x780-800	430	69,5x11x201,5	56,0
<b>1LM40300Z1</b>	NBLRV2 80x80	black	transparent	780-800x780-800	430	69,5x11x201,5	56,0
<b>1LM70E00Z1</b>	NBLRV2 90x90	matt white	transparent	880-900x880-900	495	69,5x11x201,5	59,9
<b>1LM70C00Z1</b>	NBLRV2 90x90	bright alu	transparent	880-900x880-900	495	69,5x11x201,5	59,9
<b>1LM70300Z1</b>	NBLRV2 90x90	black	transparent	880-900x880-900	495	69,5x11x201,5	59,6



# NBLRV2K Four-piece corner sliding shower enclosure



Sliding doors save space and keep water where it belongs



Quiet and smooth door closing with SilentRun system



Easy cleaning thanks to the hinged door mechanism

## Practical shower enclosure in modern design

Two parts can be combined to create a shower enclosure in various sizes, with corner entry, in a square or rectangular layout.

### Don't miss it

- 1.** Recommended drains and shower channels: Runway stainless steel shower channel. Zebra plastic shower channel with stainless steel grid. SN501 plastic point drain with stainless steel grid.
- 2.** Recommended shower trays: Angela, Perseus Pro, Perseus Pro Flat, Perseus Pro Chrome, Gigant, Gigant Pro, Gigant Pro Flat.
- 3.** To complete a shower enclosure, at least two items must always be ordered. The product cannot be used separately as a shower door or in combination with a fixed panel.
- 4.** 6 mm safety glass with patented RAVAK AntiCalc® treatment.

Trays → 266

Shower channels → 298

Seats → 258

Taps → 538

Accessories → 650

5

5-YEAR  
WARRANTY6  
mmGLASS  
THICKNESS**Blix II NBLRV2K**

Finish



MATT WHITE



BRIGHT ALU



BLACK

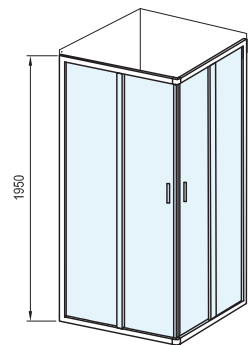
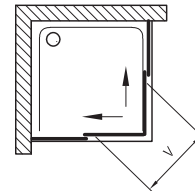
Standard panel material



TRANSPARENT

Height  
1950 mm

Order No.	Type	Frame	Panel	Product dimensions (mm)	„V“ entrance (mm)	Size of packaging (cm)	Gross weight (kg)
<b>1XM40E00Z1</b>	NBLRV2K 80	matt white	transparent	780-800	430	69,5x11x201,5	28,7
<b>1XM40C00Z1</b>	NBLRV2K 80	bright alu	transparent	780-800	430	69,5x11x201,5	28,7
<b>1XM40300Z1</b>	NBLRV2K 80	black	transparent	780-800	430	69,5x11x201,5	28,7
<b>1XM70E00Z1</b>	NBLRV2K 90	matt white	transparent	880-900	495	69,5x11x201,5	31,8
<b>1XM70C00Z1</b>	NBLRV2K 90	bright alu	transparent	880-900	495	69,5x11x201,5	31,8
<b>1XM70300Z1</b>	NBLRV2K 90	black	transparent	880-900	495	69,5x11x201,5	31,8
<b>1XMA0E00Z1</b>	NBLRV2K 100	matt white	transparent	980-1000	570	69,5x11x201,5	35,0
<b>1XMA0C00Z1</b>	NBLRV2K 100	bright alu	transparent	980-1000	570	69,5x11x201,5	35,0
<b>1XMA0300Z1</b>	NBLRV2K 100	black	transparent	980-1000	570	69,5x11x201,5	35,0
<b>1XMD0E00Z1</b>	NBLRV2K 110	matt white	transparent	1080-1100	640	69,5x11x201,5	39,6
<b>1XMD0C00Z1</b>	NBLRV2K 110	bright alu	transparent	1080-1100	640	69,5x11x201,5	39,6
<b>1XMD0300Z1</b>	NBLRV2K 110	black	transparent	1080-1100	640	69,5x11x201,5	39,6
<b>1XMG0E00Z1</b>	NBLRV2K 120	matt white	transparent	1180-1200	705	69,5x11x201,5	42,6
<b>1XMG0C00Z1</b>	NBLRV2K 120	bright alu	transparent	1180-1200	705	69,5x11x201,5	42,6
<b>1XMG0300Z1</b>	NBLRV2K 120	black	transparent	1180-1200	705	69,5x11x201,5	42,6



# NBLDP2 Two-piece sliding shower door



Sliding doors save space and keep water where it belongs



Quiet and smooth door closing with SilentRun system



Easy cleaning thanks to the hinged door mechanism

## Modern Blix doors in colours to suit every interior

Practical shower door with a fixed and sliding part, ideal for a bathroom recess or for combination with a fixed panel.

### Don't miss it

- 1.** Recommended drains and shower channels: Runway stainless steel shower channel. Zebra plastic shower channel with stainless steel grid. SN501 plastic point drain with stainless steel grid.
- 2.** Recommended shower trays: Perseus Pro, Perseus Pro Chrome, Gigant, Gigant Pro, Gigant Pro Flat, Gigant Pro Chrome.
- 3.** 6 mm safety glass with patented RAVAK AntiCalc® treatment.
- 4.** Completely encased all-metal sliding system with ball bearings.

Trays → 266

Shower channels → 298

Seats → 258

Taps → 538

Accessories → 650

5

5-YEAR  
WARRANTY6  
mmGLASS  
THICKNESS**Blix II NBLDP2**

## Finish



MATT WHITE



BRIGHT ALU



BLACK

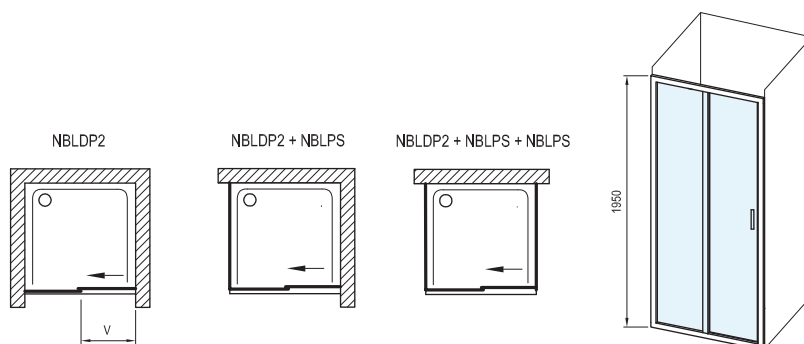
## Standard panel material



TRANSPARENT

Height  
1950 mm

Order No.	Type	Frame	Panel	Product dimensions (mm)	Product dimensions in mm - assembly with NBLPS	Product dimensions in mm - assembly with NBLPS+NBLPS	„V“ entrance (mm)	Size of packaging (cm)	Gross weight (kg)
<b>OPMA0E00Z1</b>	NBLDP2 100	matt white	transparent	980-1020	979-999	981	420	69,5x11x201,5	34,5
<b>OPMA0C00Z1</b>	NBLDP2 100	bright alu	transparent	980-1020	979-999	981	420	69,5x11x201,5	34,5
<b>OPMA0300Z1</b>	NBLDP2 100	black	transparent	980-1020	979-999	981	420	69,5x11x201,5	34,5
<b>OPMD0E00Z1</b>	NBLDP2 110	matt white	transparent	1080-1120	1079-1099	1081	470	69,5x11x201,5	39,0
<b>OPMD0C00Z1</b>	NBLDP2 110	bright alu	transparent	1080-1120	1079-1099	1081	470	69,5x11x201,5	39,0
<b>OPMD0300Z1</b>	NBLDP2 110	black	transparent	1080-1120	1079-1099	1081	470	69,5x11x201,5	39,0
<b>OPMG0E00Z1</b>	NBLDP2 120	matt white	transparent	1180-1220	1179-1199	1181	520	69,5x11x201,5	43,1
<b>OPMG0C00Z1</b>	NBLDP2 120	bright alu	transparent	1180-1220	1179-1199	1181	520	69,5x11x201,5	43,1
<b>OPMG0300Z1</b>	NBLDP2 120	black	transparent	1180-1220	1179-1199	1181	520	69,5x11x201,5	43,1



# NBLDP4 Four-piece sliding shower door



Sliding doors save space and keep water where it belongs



Quiet and smooth door closing with SilentRun system



Easy cleaning thanks to the hinged door mechanism

## Modern Blix doors in colours to suit every interior

An ideal choice for installation in a bathroom recess or for creating a shower enclosure in combination with a fixed panel.

### Don't miss it

- 1.** Recommended drains and shower channels: Runway stainless steel shower channel. Zebra plastic shower channel with stainless steel grid. SN501 plastic point drain with stainless steel grid.
- 2.** Recommended shower trays: Gigant, Gigant Pro, Gigant Pro Flat, Gigant Pro Chrome.
- 3.** 6 mm safety glass with patented RAVAK AntiCalc® treatment.
- 4.** Completely encased all-metal sliding system with ball bearings.

Trays → 266

Shower channels → 298

Seats → 258

Taps → 538

Accessories → 650

5

5-YEAR  
WARRANTY6  
mmGLASS  
THICKNESS

## Blix II NBLDP4

Finish



MATT WHITE



BRIGHT ALU



BLACK

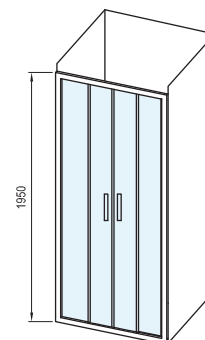
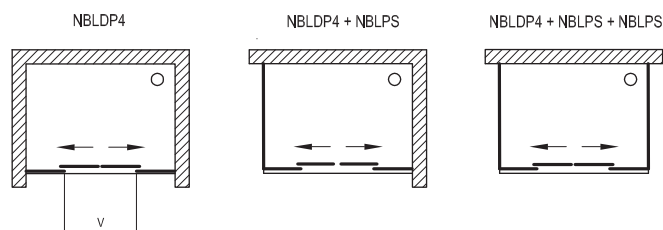
Standard panel material



TRANSPARENT

Height  
1950 mm

Order No.	Type	Frame	Panel	Product dimensions (mm)	Product dimensions in mm - assembly with NBLPS	Product dimensions in mm - assembly with NBLPS+NBLPS	„v“ entrance (mm)	Size of packaging (cm)	Gross weight (kg)
OYMG0E00Z1	NBLDP4 120	matt white	transparent	1170-1210	1170-1190	1172	465	69,5x11x201,5	47,7
OYMG0C00Z1	NBLDP4 120	bright alu	transparent	1170-1210	1170-1190	1172	465	69,5x11x201,5	47,7
OYMG0300Z1	NBLDP4 120	black	transparent	1170-1210	1170-1190	1172	465	69,5x11x201,5	47,7
OYMJOE00Z1	NBLDP4 130	matt white	transparent	1270-1310	1270-1290	1272	515	69,5x11x201,5	49,3
OYMJOC00Z1	NBLDP4 130	bright alu	transparent	1270-1310	1270-1290	1272	515	69,5x11x201,5	49,3
OYMJ0300Z1	NBLDP4 130	black	transparent	1270-1310	1270-1290	1272	515	69,5x11x201,5	49,3
OYMM0E00Z1	NBLDP4 140	matt white	transparent	1370-1410	1370-1390	1372	565	69,5x11x201,5	52,5
OYMM0C00Z1	NBLDP4 140	bright alu	transparent	1370-1410	1370-1390	1372	565	69,5x11x201,5	52,5
OYMM0300Z1	NBLDP4 140	black	transparent	1370-1410	1370-1390	1372	565	69,5x11x201,5	52,5
OYMP0E00Z1	NBLDP4 150	matt white	transparent	1470-1510	1470-1490	1472	615	69,5x11x201,5	55,7
OYMP0C00Z1	NBLDP4 150	bright alu	transparent	1470-1510	1470-1490	1472	615	69,5x11x201,5	55,7
OYMP0300Z1	NBLDP4 150	black	transparent	1470-1510	1470-1490	1472	615	69,5x11x201,5	55,7
OYMS0E00Z1	NBLDP4 160	matt white	transparent	1570-1610	1570-1590	1572	665	69,5x11x201,5	58,8
OYMS0C00Z1	NBLDP4 160	bright alu	transparent	1570-1610	1570-1590	1572	665	69,5x11x201,5	58,8
OYMS0300Z1	NBLDP4 160	black	transparent	1570-1610	1570-1590	1572	665	69,5x11x201,5	58,8
OYMV0E00Z1	NBLDP4 170	matt white	transparent	1670-1710	1670-1690	1672	715	69,5x11x201,5	62,0
OYMV0C00Z1	NBLDP4 170	bright alu	transparent	1670-1710	1670-1690	1672	715	69,5x11x201,5	62,0
OYMV0300Z1	NBLDP4 170	black	transparent	1670-1710	1670-1690	1672	715	69,5x11x201,5	62,0
OYMY0E00Z1	NBLDP4 180	matt white	transparent	1770-1810	1770-1790	1772	765	69,5x11x201,5	65,1
OYMY0C00Z1	NBLDP4 180	bright alu	transparent	1770-1810	1770-1790	1772	765	69,5x11x201,5	65,1
OYMY0300Z1	NBLDP4 180	black	transparent	1770-1810	1770-1790	1772	765	69,5x11x201,5	65,1
OYML0E00Z1	NBLDP4 190	matt white	transparent	1870-1910	1870-1890	1872	815	69,5x11x201,5	68,3
OYML0C00Z1	NBLDP4 190	bright alu	transparent	1870-1910	1870-1890	1872	815	69,5x11x201,5	68,3
OYML0300Z1	NBLDP4 190	black	transparent	1870-1910	1870-1890	1872	815	69,5x11x201,5	68,3
OYMK0E00Z1	NBLDP4 200	matt white	transparent	1970-2010	1970-1990	1972	865	69,5x11x201,5	71,5
OYMK0C00Z1	NBLDP4 200	bright alu	transparent	1970-2010	1970-1990	1972	865	69,5x11x201,5	71,5
OYMK0300Z1	NBLDP4 200	black	transparent	1970-2010	1970-1990	1972	865	69,5x11x201,5	71,5



# NBLPS Fixed panel



Sliding doors save space and keep water where it belongs



Quiet and smooth door closing with SilentRun system



Easy cleaning thanks to the hinged door mechanism

## Practical shower enclosure in modern design

Join a fixed panel with a shower door and make practical use of the space next to the panel – for example, for a washing machine, washbasin, or toilet.

### Don't miss it

- 1.** Recommended drains and shower channels: Runway stainless steel shower channel. Zebra plastic shower channel with stainless steel grid. SN501 plastic point drain with stainless steel grid.
- 2.** Recommended shower trays: Perseus Pro, Perseus Pro Chrome, Gigant, Gigant Pro, Gigant Pro Flat, Gigant Pro Chrome.
- 3.** The product is not designed for standalone use and must be installed with shower doors or shower enclosures. It cannot be used in combination with BLDZ2.
- 4.** When using 2x BLPS and 1x BLDP2 or BLDP4 door, it is possible to create a „U“ shaped shower enclosure.

Trays → 266

Shower channels → 298

Seats → 258

Taps → 538

Accessories → 650

5

5-YEAR  
WARRANTY6  
mmGLASS  
THICKNESS**Blix II NBLPS**

## Finish



MATT WHITE



BRIGHT ALU



BLACK

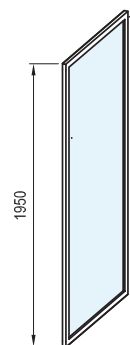
## Standard panel material



TRANSPARENT

Height  
1950 mm

Order No.	Type	Frame	Panel	Product dimensions (mm)	„V“ entrance (mm)	Size of packaging (cm)	Gross weight (kg)
<b>9BM40E00Z1</b>	NBLPS 80	matt white	transparent	780-800		77x4x193	29,2
<b>9BM40C00Z1</b>	NBLPS 80	bright alu	transparent	780-800		77x4x193	29,2
<b>9BM40300Z1</b>	NBLPS 80	black	transparent	780-800		77x4x193	29,2
<b>9BM70E00Z1</b>	NBLPS 90	matt white	transparent	880-900		87x4x193	32,0
<b>9BM70C00Z1</b>	NBLPS 90	bright alu	transparent	880-900		87x4x193	32,0
<b>9BM70300Z1</b>	NBLPS 90	black	transparent	880-900		87x4x193	32,0
<b>9BMA0E00Z1</b>	NBLPS 100	matt white	transparent	980-1000		97x4x193	36,2
<b>9BMA0C00Z1</b>	NBLPS 100	bright alu	transparent	980-1000		97x4x193	36,2
<b>9BMA0300Z1</b>	NBLPS 100	black	transparent	980-1000		97x4x193	36,2

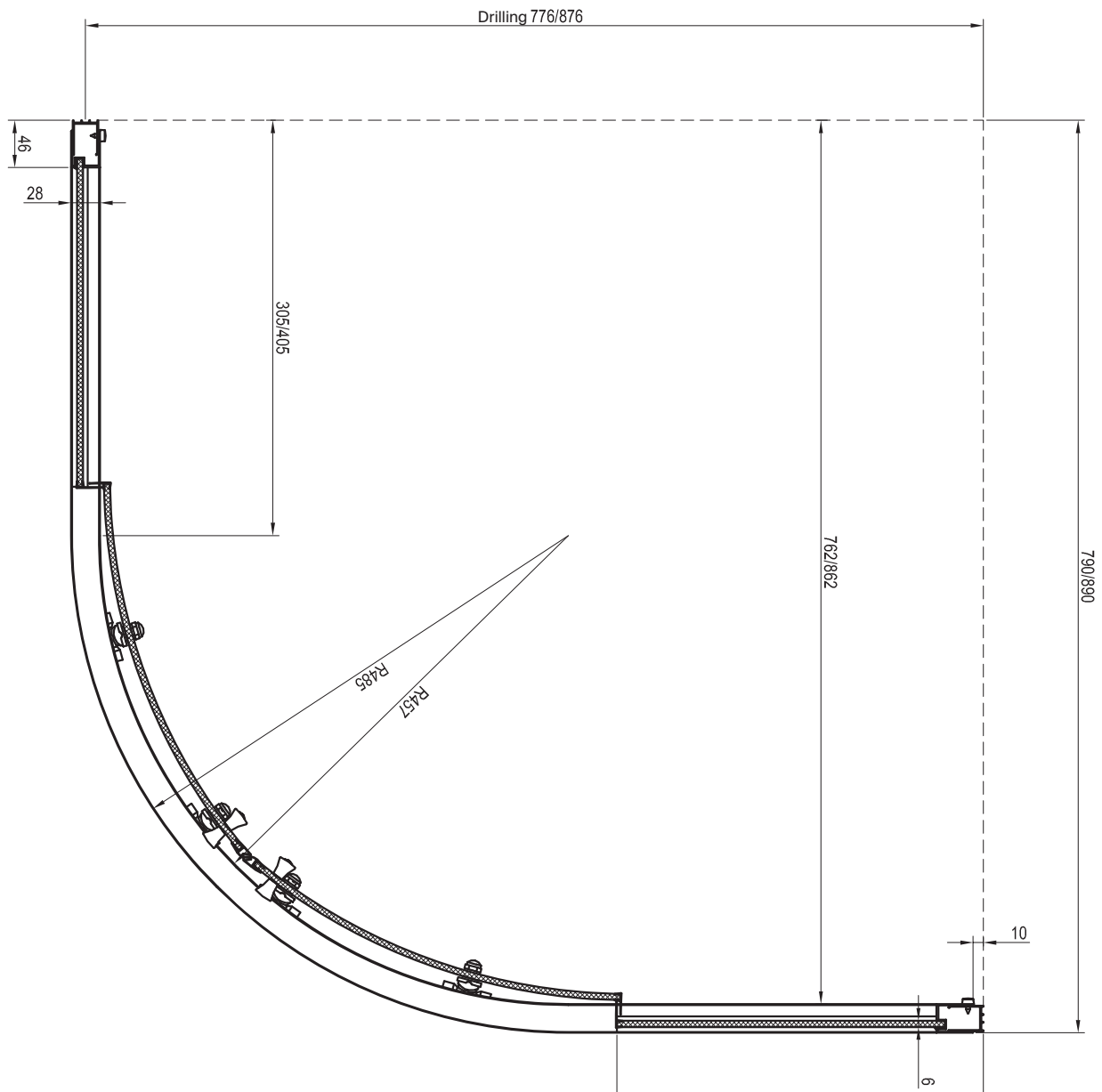


# NBLCP4 Construction prerequisites

Type	Mounting onto a tray* Recommended shower tray size (mm)	Floor mounting** Recommended size of inclined area (mm)
<b>NBLCP4 - 80</b>	800 x 800, R 500	In accordance with technical drawings
<b>NBLCP4 - 90</b>	900 x 900, R 500	In accordance with technical drawings

\* The values listed in the table assume that the tray is installed in accordance with the RAVAK assembly manual.

\*\* The values in the table apply to the inside edge of the glass.

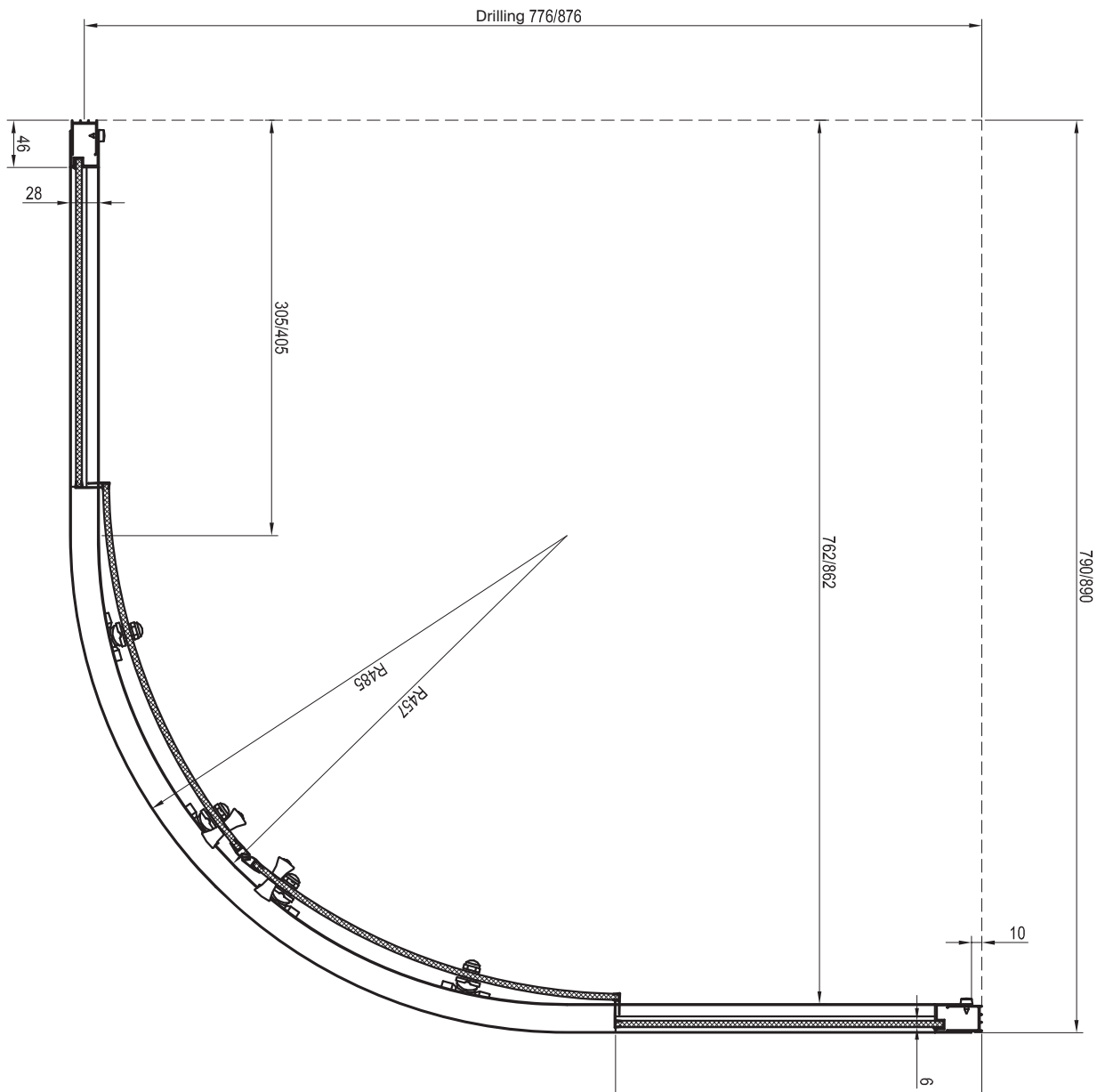


# NBLCP4 Sabina Construction prerequisites

Type	Mounting onto a tray * Recommended shower tray size (mm)	Floor mounting ** Recommended size of inclined area (mm)
<b>NBLCP4 - 80 Sabina</b>	800 x 800, Sabina R 500	In accordance with technical drawings
<b>NBLCP4 - 90 Sabina</b>	900 x 900, Sabina R 500	In accordance with technical drawings

\* The values listed in the table assume that the tray is installed in accordance with the RAVAK assembly manual.

\*\* The values in the table apply to the inside edge of the glass.

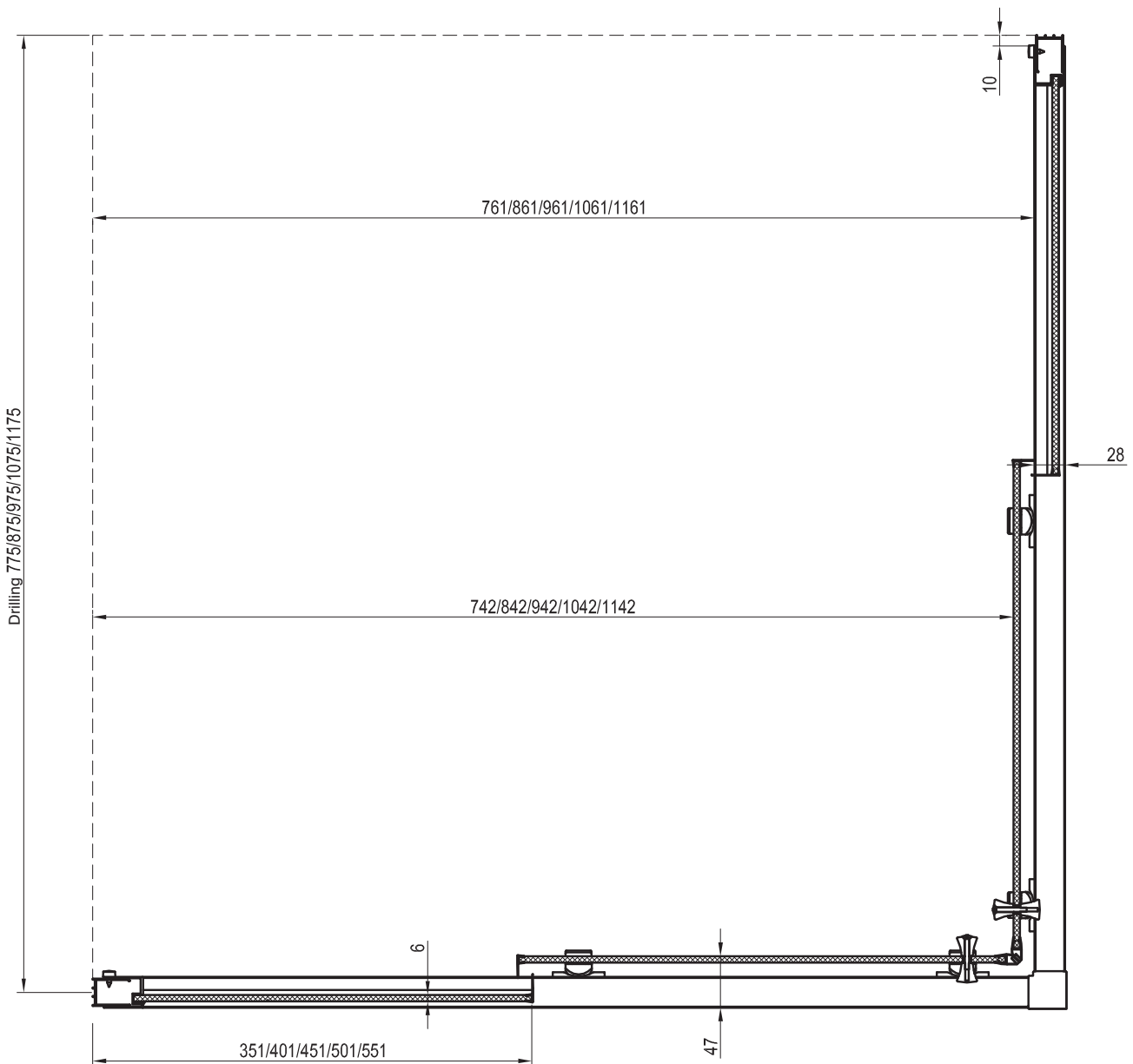


# NBLRV2 Construction prerequisites

Type	Mounting onto a tray* Recommended shower tray size (mm)	Floor mounting** Recommended size of inclined area (mm)
<b>NBLRV2 - 80</b>	800 x 800, R 500	In accordance with technical drawings
<b>NBLRV2 - 90</b>	900 x 900, R 500	In accordance with technical drawings

\* The values listed in the table assume that the tray is installed in accordance with the RAVAK assembly manual.

\*\* The values in the table apply to the inside edge of the glass.

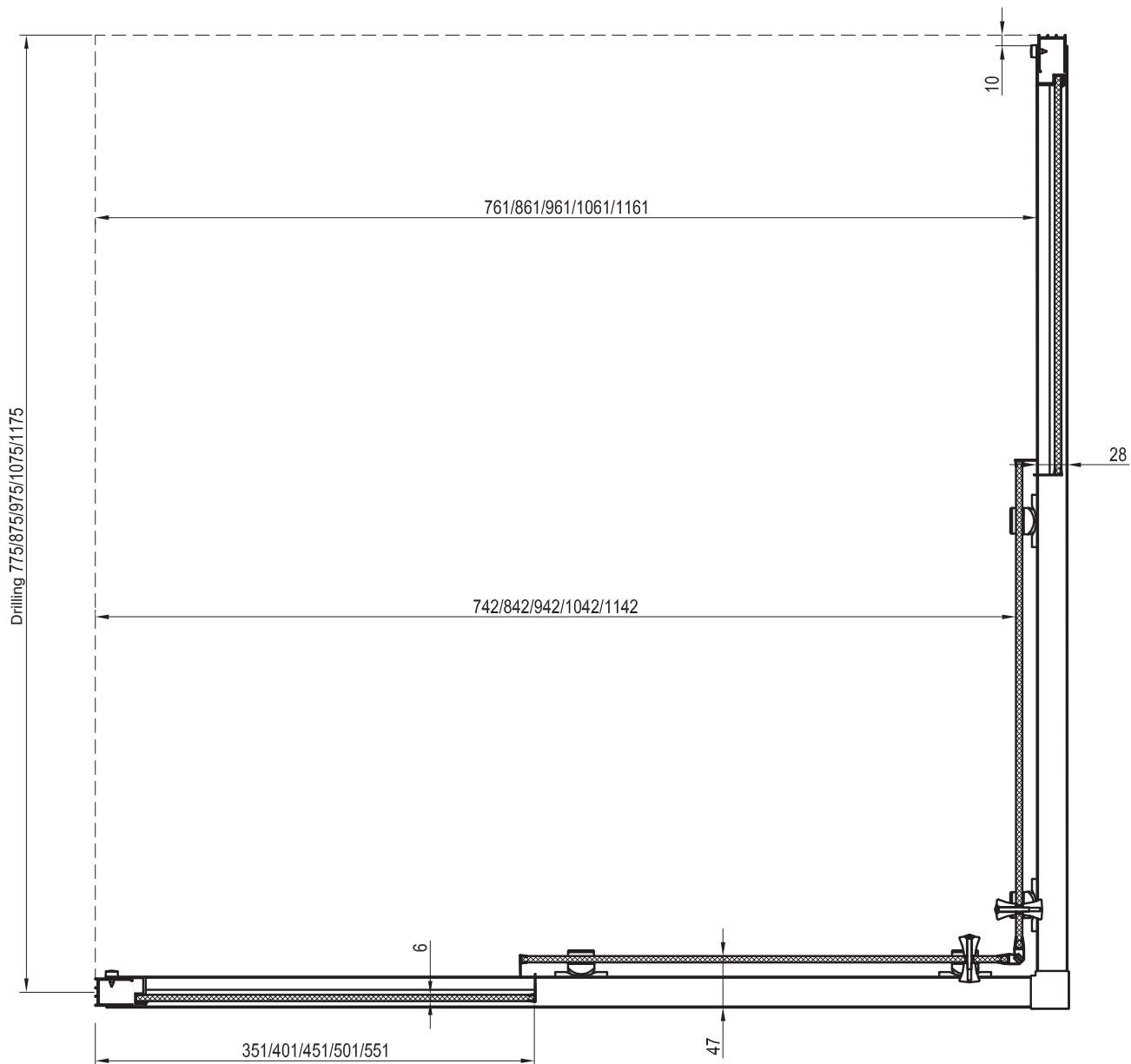


# NBLRV2K Construction prerequisites

Type	Mounting onto a tray* Recommended shower tray size (mm)	Floor mounting** Recommended size of inclined area (mm)
NBLRV2K - 80 + NBLRV2K - 80	800 x 800	755 x 755
NBLRV2K - 90 + NBLRV2K - 90	900 x 900	855 x 855
NBLRV2K - 100 + NBLRV2K - 100	1000 x 1000	955 x 955
NBLRV2K - 100 + NBLRV2K - 80	1000 x 800	955 x 755
NBLRV2K - 110 + NBLRV2K - 80	1100 x 800	1055 x 755
NBLRV2K - 120 + NBLRV2K - 80	1200 x 800	1155 x 755
NBLRV2K - 120 + NBLRV2K - 90	1200 x 900	1155 x 855
<b>Other combinations</b>	-	In accordance with technical drawings

\* The values listed in the table assume that the tray is installed in accordance with the RAVAK assembly manual.

\*\* The values in the table apply to the inside edge of the glass.

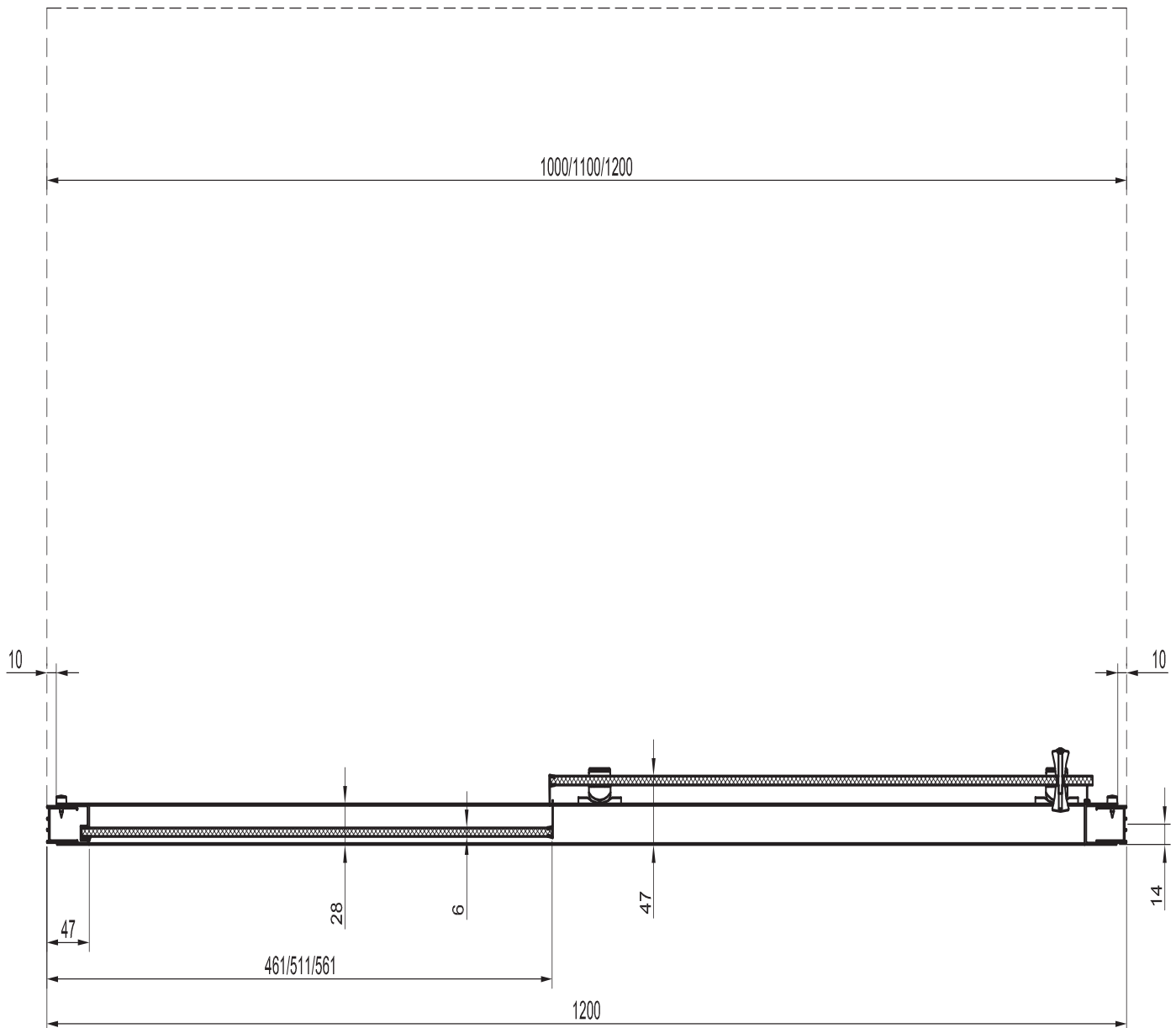


# NBLDP2 Construction prerequisites

Type	Mounting onto a tray* Recommended shower tray size (mm)	Floor mounting** Recommended size of inclined area (mm)
<b>NBLDP2 - 100</b>	1000 x 800	955 x 745
<b>NBLDP2 - 100</b>	1000 x 1000	955 x 945
<b>NBLDP2 - 110</b>	1100 x 800	1055 x 745
<b>NBLDP2 - 120</b>	1200 x 800	1155 x 745
<b>NBLDP2 - 120</b>	1200 x 900	1155 x 845
<b>Other combinations</b>	-	In accordance with technical drawings

\* The values listed in the table assume that the tray is installed in accordance with the RAVAK assembly manual.

\*\* The values in the table apply to the inside edge of the glass.

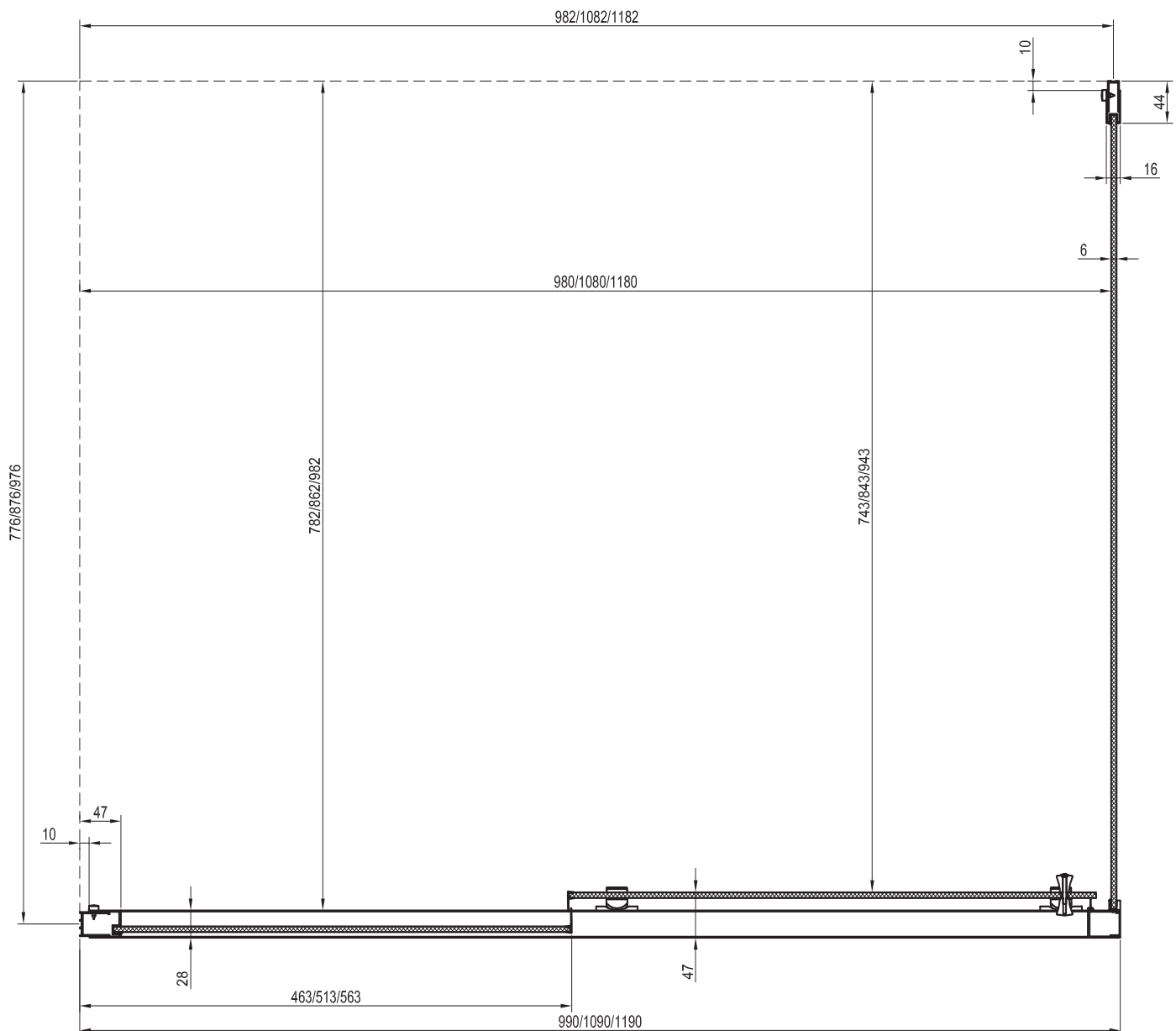


# NBLDP2 + NBLPS Construction prerequisites

Type	Mounting onto a tray * Recommended shower tray size (mm)	Floor mounting ** Recommended size of inclined area (mm)
<b>NBLDP2 100 + NBLPS - 80</b>	1000 x 800	955 x 745
<b>NBLDP2 100 + NBLPS - 100</b>	1000 x 1000	955 x 945
<b>NBLDP2 110 + NBLPS - 80</b>	1100 x 800	1055 x 745
<b>NBLDP2 120 + NBLPS - 80</b>	1200 x 800	1155 x 745
<b>NBLDP2 120 + NBLPS - 90</b>	1200 x 900	1155 x 845
<b>Other combinations</b>	-	In accordance with technical drawings

\* The values listed in the table assume that the tray is installed in accordance with the RAVAK assembly manual.

\*\* The values in the table apply to the inside edge of the glass.

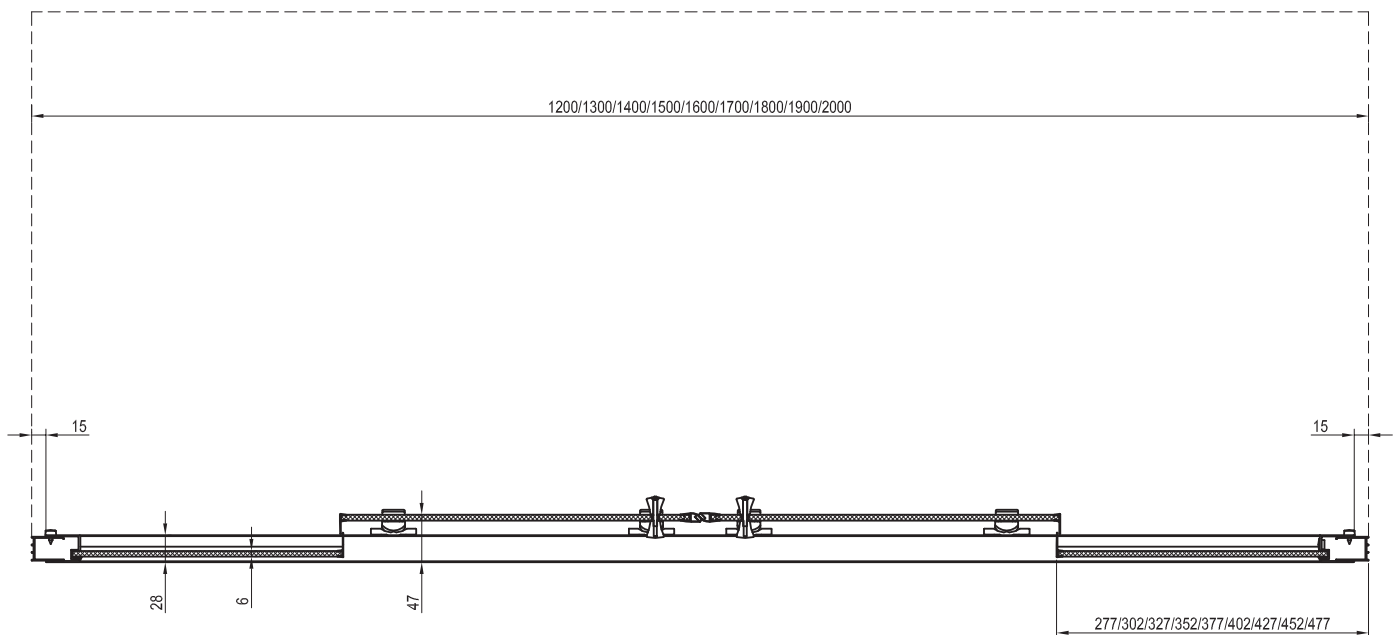


# NBLDP4 Construction prerequisites

Type	Mounting onto a tray * Recommended shower tray size (mm)	Floor mounting ** Recommended size of inclined area (mm)
NBLDP2 100	1000 x 800	955 x 745
NBLDP2 100	1000 x 1000	955 x 945
NBLDP2 110	1100 x 800	1055 x 745
NBLDP2 120	1200 x 800	1155 x 745
<b>Other combinations</b>	-	In accordance with technical drawings

\* The values listed in the table assume that the tray is installed in accordance with the RAVAK assembly manual.

\*\* The values in the table apply to the inside edge of the glass.

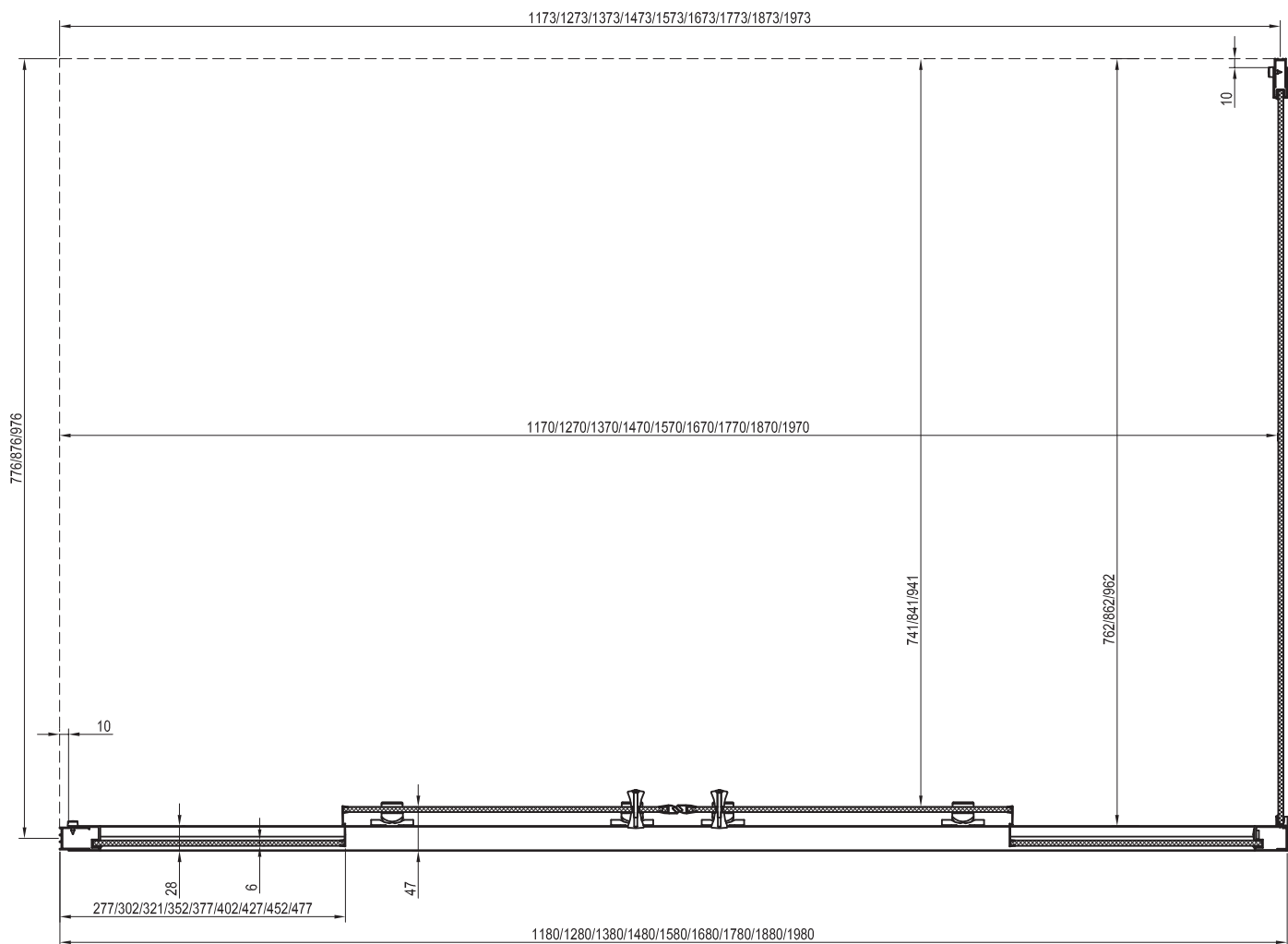


# NBLDP4 + NBLPS Construction prerequisites

Type	Mounting onto a tray * Recommended shower tray size (mm)	Floor mounting ** Recommended size of inclined area (mm)
<b>NBLDP4 120 + NBLPS - 80</b>	1200 x 800	1155 x 745
<b>NBLDP4 120 + NBLPS - 90</b>	1200 x 900	1155 x 845
<b>Other combinations</b>	-	In accordance with technical drawings

\* The values listed in the table assume that the tray is installed in accordance with the RAVAK assembly manual.

\*\* The values in the table apply to the inside edge of the glass.



Blix



5

5-YEAR WARRANTY ON ALL SHOWER ENCLOSURES AND DOORS

6 mm

GLASS THICKNESS



GLASS PROTECTION

The glass is protected by RAVAK AntiCalc® surface treatment technology.



SILENT MOVEMENT

Silent movement of your shower enclosure



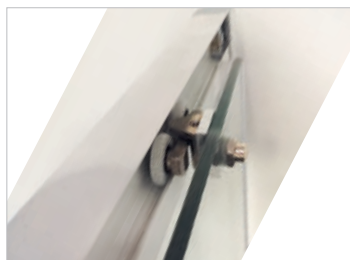
LIFTING MECHANISM

Lifts the door and secures it in its basic position



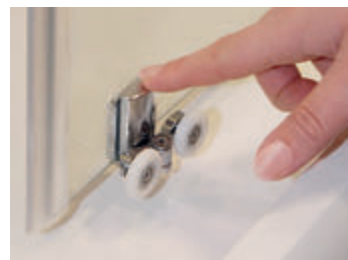
**Attractive design**

The design of the product is not interrupted by any internal vertical profiles



**Sliding door**

Saves space by not extending into the bathroom area, and prevents water from dripping off onto the floor



**Simple cleaning**

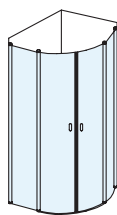
Smart mechanism for tilting the door glass facilitates cleaning, making even seemingly hard-to-reach places easily accessible

**Easy maintenance**

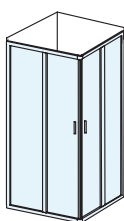
Thanks to a protective RAVAK AntiCalc® layer, the glass stays clean for longer (no limescale sediments)

**Perfectly adaptable**

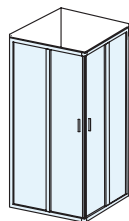
BLNPS extension profiles allow the door to be widened, so it can be installed even in spaces that don't match the standard product dimensions (up to 4 cm per side)



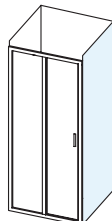
BLCP4 / BLCP4 Sabina



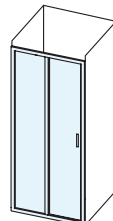
BLRV2



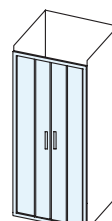
BLRV2K+BLRV2K



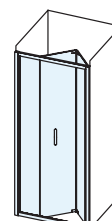
BLPS



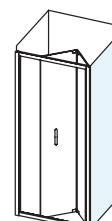
BLDP2



BLDP4



BLDZ2



BLPSZ

# BLCP4 Four-piece quadrant sliding shower enclosure



The sliding system saves space and prevents water from dripping outside the enclosure



SilentRun system ensures the door moves smoothly and quietly



The door can be tilted for easy cleaning

## Practical and attractive design

Safe choice – a practical sliding door without interior vertical profiles, available in three frame finishes: bright alu, white, satin.

### Don't miss it

- 1.** Recommended shower trays: Ronda, Elipso, Elipso Pro, Elipso Pro Flat, Elipso Pro Chrome.
- 2.** 6 mm safety glass with patented RAVAK AntiCalc® treatment.
- 3.** Completely encased all-metal sliding system with ball bearings.
- 4.** Radius: 500 mm.

Shower trays → 266

Shower channels → 298

Seats → 258

Taps → 538

Accessories → 650



5-YEAR WARRANTY



GLASS THICKNESS



TILTING GLASS



EXTENSION PROFILE



GLASS PROTECTION ANTICALC

# Blix BLCP4

## Finish



BRIGHT ALU

SATIN

WHITE

## Standard panel material



TRANSPARENT

GRAPE

Height  
1900 mm

## Radius R500

Order No.	Type	Frame	Panel	Product dimensions (mm)	„V“ entrance (mm)	Size of packaging (cm)	Gross weight (kg)
<b>3B240100Z1</b>	BLCP4 80x80	white	transparent	780-800x780-800	490	47x20x199	46,6
<b>3B240100ZG</b>	BLCP4 80x80	white	grape	780-800x780-800	490	48x20x202	46,6
<b>3B240C00Z1</b>	BLCP4 80x80	bright alu	transparent	780-800x780-800	490	47x20x199	46,6
<b>3B240C00ZG</b>	BLCP4 80x80	bright alu	grape	780-800x780-800	490	48x20x202	46,6
<b>3B240U00Z1</b>	BLCP4 80x80	satin	transparent	780-800x780-800	490	47x20x199	46,6
<b>3B240U00ZG</b>	BLCP4 80x80	satin	grape	780-800x780-800	490	48x20x202	46,6
<b>3B270100Z1</b>	BLCP4 90x90	white	transparent	880-900x880-900	565	47x20x199	52,6
<b>3B270100ZG</b>	BLCP4 90x90	white	grape	880-900x880-900	565	48x19,5x201	52,6
<b>3B270C00Z1</b>	BLCP4 90x90	bright alu	transparent	880-900x880-900	565	47x20x199	52,6
<b>3B270C00ZG</b>	BLCP4 90x90	bright alu	grape	880-900x880-900	565	48x19,5x201	52,6
<b>3B270U00Z1</b>	BLCP4 90x90	satin	transparent	880-900x880-900	565	47x20x199	52,6
<b>3B270U00ZG</b>	BLCP4 90x90	satin	grape	880-900x880-900	565	48x19,5x201	52,6

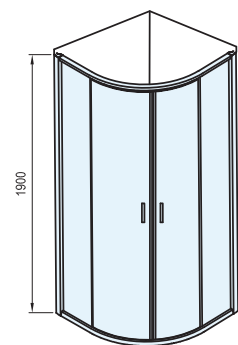
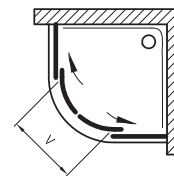
Products are delivered within 14 days as standard.

## Radius R550

Order No.	Type	Frame	Panel	Product dimensions (mm)	„V“ entrance (mm)	Size of packaging (cm)	Gross weight (kg)
<b>3B240C00Z1B</b>	BLCP4 80x80 R550			780-800x780-800	420	47x20x199	46,6
<b>3B270C00Z1B</b>	BLCP4 90x90 R550			880-900x880-900	560	47x20x199	52,6

## Extension profiles

Order No.	Type	Frame	Product dimensions (mm)	Size of packaging (cm)	Gross weight (kg)
<b>E7788011900B</b>	BLNPS	white	23x26x1900	2x3x191	0,5
<b>E778801C1900B</b>	BLNPS	bright alu	23x26x1900	2x3x191	0,4
<b>E778801U1900B</b>	BLNPS	satin	23x26x1900	2x3x191	0,4



# **BLCP4 Sabina** Four-piece quadrant sliding shower enclosure with reduced height



The sliding system saves space and prevents water from dripping outside the enclosure



SilentRun system ensures the door moves smoothly and quietly



The door can be tilted for easy cleaning

## **Practical and attractive design**

Special reduced-height shower enclosure for use with deep shower trays.

### **Don't miss it**

- 1.** Recommended shower trays: Sabina.
- 2.** Radius: R500.
- 3.** 6 mm safety glass with patented RAVAK AntiCalc® treatment.
- 4.** Total height of the shower enclosure and tray is 2170 mm.

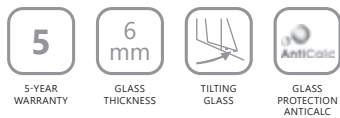
Shower trays → 266

Shower channels → 298

Seats → 258

Taps → 538

Accessories → 650



# Blix BLCP4 Sabina

## Finish



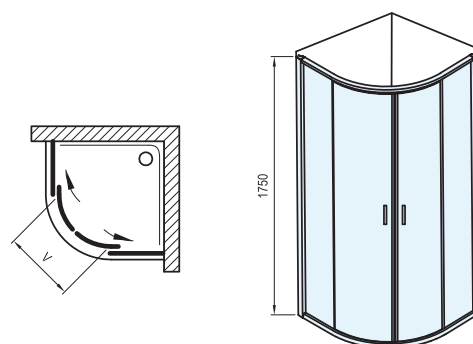
## Standard panel material



Height  
1750 mm

Order No.	Type	Frame	Panel	Product dimensions (mm)	„V“ entrance (mm)	Size of packaging (cm)	Gross weight (kg)
<b>3B240140Z1</b>	BLCP4 Sabina 80x80	white	transparent	780-800x780-800	490	48x20x184	42,7
<b>3B240140ZG</b>	BLCP4 Sabina 80x80	white	grape	780-800x780-800	490	48x20x184	42,7
<b>3B240C40Z1</b>	BLCP4 Sabina 80x80	bright alu	transparent	780-800x780-800	490	48x20x184	42,7
<b>3B240C40ZG</b>	BLCP4 Sabina 80x80	bright alu	grape	780-800x780-800	490	48x20x184	42,7
<b>3B240U40Z1</b>	BLCP4 Sabina 80x80	satin	transparent	780-800x780-800	490	48x20x184	42,7
<b>3B240U40ZG</b>	BLCP4 Sabina 80x80	satin	grape	780-800x780-800	490	48x20x184	42,7
<b>3B270140Z1</b>	BLCP4 Sabina 90x90	white	transparent	880-900x880-900	565	47x20x184	48,8
<b>3B270140ZG</b>	BLCP4 Sabina 90x90	white	grape	880-900x880-900	565	47x20x184	48,8
<b>3B270C40Z1</b>	BLCP4 Sabina 90x90	bright alu	transparent	880-900x880-900	565	47x20x184	48,8
<b>3B270C40ZG</b>	BLCP4 Sabina 90x90	bright alu	grape	880-900x880-900	565	47x20x184	48,8
<b>3B270U40Z1</b>	BLCP4 Sabina 90x90	satin	transparent	880-900x880-900	565	47x20x184	48,8
<b>3B270U40ZG</b>	BLCP4 Sabina 90x90	satin	grape	880-900x880-900	565	47x20x184	48,8

Products are delivered within 14 days as standard.



# BLRV2 Four-piece corner sliding shower enclosure



The sliding system saves space and prevents water from dripping outside the enclosure



SilentRun system ensures the door moves smoothly and quietly



The door can be tilted for easy cleaning

## Practical and attractive design

Safe choice – a practical sliding door without interior vertical profiles, available in three frame finishes: bright alu, white, satin.

### Don't miss it

- 1.** Recommended drains and shower channels: Chrome, 10°, and Runway stainless steel shower channels. Zebra plastic shower channel with stainless steel grid. SN501 plastic point drain with stainless steel grid.
- 2.** Recommended shower trays: Angela, Perseus Pro, Perseus Pro Flat, Perseus Pro Chrome.
- 3.** 6 mm safety glass with patented RAVAK AntiCalc® treatment.
- 4.** BLNPS extension profile for widening the enclosure by 2 cm on its shorter side.
- 5.** Completely enclosed all-metal sliding system with ball bearings.

Shower trays → 266

Shower channels → 298

Seats → 258

Taps → 538

Accessories → 650



5-YEAR WARRANTY



GLASS THICKNESS



TILTING GLASS



EXTENSION PROFILE



GLASS PROTECTION ANTICALC

# Blix BLRV2

## Finish



BRIGHT ALU

SATIN

WHITE

## Standard panel material



TRANSPARENT

GRAPE

## Non-standard panel material



GRAPHITE

MATELUX

MATRIX

GRAPE

TRANSPARENT

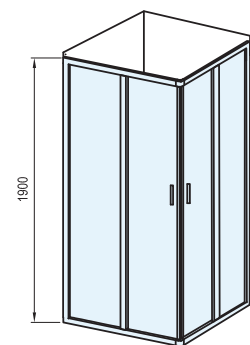
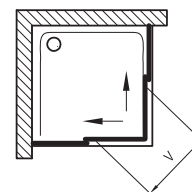
Height  
1900 mm

Order No.	Type	Frame	Panel	Product dimensions (mm)	„V“ entrance (mm)	Size of packaging (cm)	Gross weight (kg)
<b>1LV40100Z1</b>	BLRV2 80x80	white	transparent	780-800x780-800	435	69,5x11x201,5	54,6
<b>1LV40100ZG</b>	BLRV2 80x80	white	grape	780-800x780-800	435	69,5x11x201,5	54,6
<b>1LV40C00Z1</b>	BLRV2 80x80	bright alu	transparent	780-800x780-800	435	69,5x11x201,5	54,6
<b>1LV40C00ZG</b>	BLRV2 80x80	bright alu	grape	780-800x780-800	435	69,5x11x201,5	54,6
<b>1LV40U00Z1</b>	BLRV2 80x80	satin	transparent	780-800x780-800	435	69,5x11x201,5	54,6
<b>1LV40U00ZG</b>	BLRV2 80x80	satin	grape	780-800x780-800	435	69,5x11x201,5	54,6
<b>1LV70100Z1</b>	BLRV2 90x90	white	transparent	880-900x880-900	500	69,5x11x201,5	60,4
<b>1LV70100ZG</b>	BLRV2 90x90	white	grape	880-900x880-900	500	69,5x11x201,5	60,4
<b>1LV70C00Z1</b>	BLRV2 90x90	bright alu	transparent	880-900x880-900	500	69,5x11x201,5	60,4
<b>1LV70C00ZG</b>	BLRV2 90x90	bright alu	grape	880-900x880-900	500	69,5x11x201,5	60,4
<b>1LV70U00Z1</b>	BLRV2 90x90	satin	transparent	880-900x880-900	500	69,5x11x201,5	60,4
<b>1LV70U00ZG</b>	BLRV2 90x90	satin	grape	880-900x880-900	500	69,5x11x201,5	60,4

Products are delivered within 14 days as standard.

## Extension profiles

Order No.	Type	Frame	Product dimensions (mm)	Size of packaging (cm)	Gross weight (kg)
<b>E77880111900B</b>	BLNPS	white	23x26x1900	2x3x191	0,5
<b>E778801C1900B</b>	BLNPS	bright alu	23x26x1900	2x3x191	0,4
<b>E778801U1900B</b>	BLNPS	satin	23x26x1900	2x3x191	0,4



# BLRV2K + BLRV2K Four-piece corner sliding shower enclosure



The sliding system saves space and prevents water from dripping outside the enclosure



SilentRun system ensures the door moves smoothly and quietly



The door can be tilted for easy cleaning

## Practical and attractive design

Option to create a shower enclosure in various sizes, with corner entry and in a square or rectangular layout.

### Don't miss it

1. Recommended drains and shower channels: Chrome, 10°, and Runway stainless steel shower channels. Zebra plastic shower channel with stainless steel grid. SN501 plastic point drain with stainless steel grid.
2. Recommended shower trays: Angela, Perseus Pro, Perseus Pro Flat, Perseus Pro Chrome, Gigant, Gigant Pro, Gigant Pro Flat.
3. To complete a shower enclosure, at least two items must always be ordered. The product cannot be used separately as a shower door or in combination with a fixed panel.
4. 6 mm safety glass with patented RAVAK AntiCalc® treatment.
5. BLNPS extension profile for widening the enclosure by 2 cm. A maximum of 2 profiles can be used on each side.

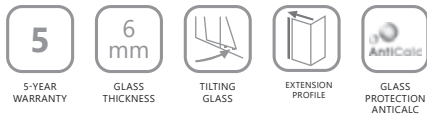
Shower trays → 266

Shower channels → 298

Seats → 258

Taps → 538

Accessories → 650



# Blix BLRV2K + BLRV2K

## Finish



## Standard panel material



## Non-standard panel material



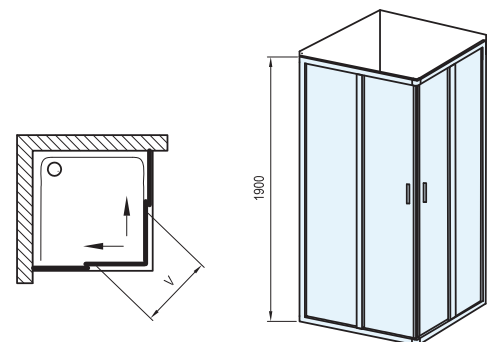
Height  
1900 mm

Order No.	Type	Frame	Panel	Product dimensions (mm)	„V“ entrance (mm)	Size of packaging (cm)	Gross weight (kg)
<b>1XV40100Z1</b>	BLRV2K 80	white	transparent	780-800	435	69,5x11x201,5	30,7
<b>1XV40100ZG</b>	BLRV2K 80	white	grape	780-800	435	69,5x11x201,5	30,7
<b>1XV40C00Z1</b>	BLRV2K 80	bright alu	transparent	780-800	435	69,5x11x201,5	30,7
<b>1XV40C00ZG</b>	BLRV2K 80	bright alu	grape	780-800	435	69,5x11x201,5	30,7
<b>1XV40U00Z1</b>	BLRV2K 80	satin	transparent	780-800	435	69,5x11x201,5	30,7
<b>1XV40U00ZG</b>	BLRV2K 80	satin	grape	780-800	435	69,5x11x201,5	30,7
<b>1XV70100Z1</b>	BLRV2K 90	white	transparent	880-900	500	69,5x11x201,5	33,6
<b>1XV70100ZG</b>	BLRV2K 90	white	grape	880-900	500	69,5x11x201,5	33,6
<b>1XV70C00Z1</b>	BLRV2K 90	bright alu	transparent	880-900	500	69,5x11x201,5	33,6
<b>1XV70C00ZG</b>	BLRV2K 90	bright alu	grape	880-900	500	69,5x11x201,5	33,6
<b>1XV70U00Z1</b>	BLRV2K 90	satin	transparent	880-900	500	69,5x11x201,5	33,6
<b>1XV70U00ZG</b>	BLRV2K 90	satin	grape	880-900	500	69,5x11x201,5	33,6
<b>1XVA0100Z1</b>	BLRV2K 100	white	transparent	980-1000	575	69,5x11x201,5	36,6
<b>1XVA0100ZG</b>	BLRV2K 100	white	grape	980-1000	575	69,5x11x201,5	36,6
<b>1XVA0C00Z1</b>	BLRV2K 100	bright alu	transparent	980-1000	575	69,5x11x201,5	36,6
<b>1XVA0C00ZG</b>	BLRV2K 100	bright alu	grape	980-1000	575	69,5x11x201,5	36,6
<b>1XVA0U00Z1</b>	BLRV2K 100	satin	transparent	980-1000	575	69,5x11x201,5	36,6
<b>1XVA0U00ZG</b>	BLRV2K 100	satin	grape	980-1000	575	69,5x11x201,5	36,6
<b>1XVD0100Z1</b>	BLRV2K 110	white	transparent	1080-1100	575	69,5x11x201,5	39,5
<b>1XVD0100ZG</b>	BLRV2K 110	white	grape	1080-1100	575	69,5x11x201,5	39,5
<b>1XVD0C00Z1</b>	BLRV2K 110	bright alu	transparent	1080-1100	575	69,5x11x201,5	39,5
<b>1XVD0C00ZG</b>	BLRV2K 110	bright alu	grape	1080-1100	575	69,5x11x201,5	39,5
<b>1XVD0U00Z1</b>	BLRV2K 110	satin	transparent	1080-1100	575	69,5x11x201,5	39,5
<b>1XVD0U00ZG</b>	BLRV2K 110	satin	grape	1080-1100	575	69,5x11x201,5	39,5
<b>1XVG0100Z1</b>	BLRV2K 120	white	transparent	1180-1200	575	69,5x11x201,5	42,4
<b>1XVG0100ZG</b>	BLRV2K 120	white	grape	1180-1200	575	69,5x11x201,5	42,4
<b>1XVG0C00Z1</b>	BLRV2K 120	bright alu	transparent	1180-1200	575	69,5x11x201,5	42,4
<b>1XVG0C00ZG</b>	BLRV2K 120	bright alu	grape	1180-1200	575	69,5x11x201,5	42,4
<b>1XVG0U00Z1</b>	BLRV2K 120	satin	transparent	1180-1200	575	69,5x11x201,5	42,4
<b>1XVG0U00ZG</b>	BLRV2K 120	satin	grape	1180-1200	575	69,5x11x201,5	42,4

Products are delivered within 14 days as standard.

To complete a shower enclosure, it is necessary to always order at least 2 items from this product, which then make up the total price of the enclosure.

Order No.	Type	Frame	Product dimensions (mm)	Size of packaging (cm)	Gross weight (kg)
<b>E7788011900B</b>	BLNPS	white	23x26x1900	2x3x191	0,5
<b>E778801C1900B</b>	BLNPS	bright alu	23x26x1900	2x3x191	0,4
<b>E778801U1900B</b>	BLNPS	satin	23x26x1900	2x3x191	0,4



# BLDP2 Two-piece sliding shower door



The sliding system saves space and prevents water from dripping outside the enclosure



SilentRun system ensures the door moves smoothly and quietly



The door can be tilted for easy cleaning

## Practical and attractive design

Ideal solution for creating a showering space in a bathroom recess 100 to 120 cm wide, or for creating a shower enclosure when combined with a BLPS fixed panel.

### Don't miss it

- 1.** Recommended drains and shower channels: Chrome, 10°, and Runway stainless steel shower channels. Zebra plastic shower channel with stainless steel grid. SN501 plastic point drain with stainless steel grid.
- 2.** Recommended shower trays: Perseus Pro, Perseus Pro Chrome, Gigant, Gigant Pro, Gigant Pro Flat, Gigant Pro Chrome.
- 3.** 6 mm safety glass with patented RAVAK AntiCalc® treatment.
- 4.** BLNPS extension profile for widening the enclosure by 2 cm. A maximum of 2 profiles can be used on each side.
- 5.** Completely enclosed all-metal sliding system with ball bearings.

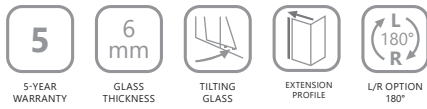
Shower trays → 266

Shower channels → 298

Seats → 258

Taps → 538

Accessories → 650



# Blix BLDP2

## Finish



## Standard panel material



## Non-standard panel material



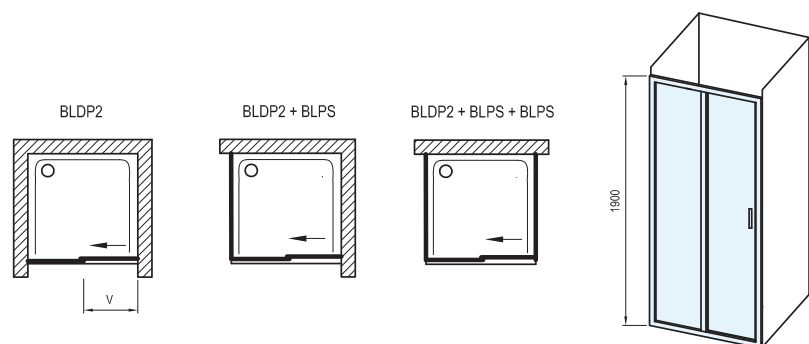
Height  
1900 mm

Order No.	Type	Frame	Panel	Product dimensions (mm)	Product dimensions in mm - installation with BLPS	Product dimensions in mm - installation with BLPS+BLPS	"V" entrance (mm)	Size of packaging (cm)	Gross weight (kg)
OPVA0100Z1	BLDP2 100	white	transparent	970-1010	970-990	970	410	69,5x11x201,5	37,9
OPVA0100ZG	BLDP2 100	white	grape	970-1010	970-990	970	410	69,5x11x201,5	37,9
OPVA0C00Z1	BLDP2 100	bright alu	transparent	970-1010	970-990	970	410	69,5x11x201,5	37,9
OPVA0C00ZG	BLDP2 100	bright alu	grape	970-1010	970-990	970	410	69,5x11x201,5	37,9
OPVA0U00Z1	BLDP2 100	satin	transparent	970-1010	970-990	970	410	69,5x11x201,5	37,9
OPVA0U00ZG	BLDP2 100	satin	grape	970-1010	970-990	970	410	69,5x11x201,5	37,9
OPVD0100Z1	BLDP2 110	white	transparent	1070-1110	1070-1090	1070	460	69,5x11x201,5	40,9
OPVD0100ZG	BLDP2 110	white	grape	1070-1110	1070-1090	1070	460	69,5x11x201,5	40,9
OPVD0C00Z1	BLDP2 110	bright alu	transparent	1070-1110	1070-1090	1070	460	69,5x11x201,5	40,9
OPVD0C00ZG	BLDP2 110	bright alu	grape	1070-1110	1070-1090	1070	460	69,5x11x201,5	40,9
OPVD0U00Z1	BLDP2 110	satin	transparent	1070-1110	1070-1090	1070	460	69,5x11x201,5	40,9
OPVD0U00ZG	BLDP2 110	satin	grape	1070-1110	1070-1090	1070	460	69,5x11x201,5	40,9
OPVG0100Z1	BLDP2 120	white	transparent	1170-1210	1170-1190	1170	510	69,5x11x201,5	43,8
OPVG0100ZG	BLDP2 120	white	grape	1170-1210	1170-1190	1170	510	69,5x11x201,5	43,8
OPVG0C00Z1	BLDP2 120	bright alu	transparent	1170-1210	1170-1190	1170	510	69,5x11x201,5	43,8
OPVG0C00ZG	BLDP2 120	bright alu	grape	1170-1210	1170-1190	1170	510	69,5x11x201,5	43,8
OPVG0U00Z1	BLDP2 120	satin	transparent	1170-1210	1170-1190	1170	510	69,5x11x201,5	43,8
OPVG0U00ZG	BLDP2 120	satin	grape	1170-1210	1170-1190	1170	510	69,5x11x201,5	43,8

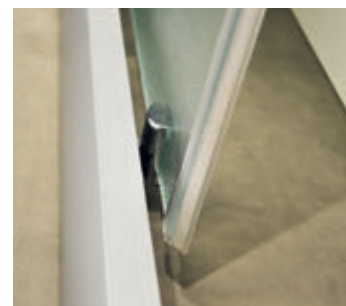
Products are delivered within 14 days as standard.

## Extension profiles

Order No.	Type	Frame	Product dimensions (mm)	Size of packaging (cm)	Gross weight (kg)
E7788011900B	BLNPS	white	23x26x1900	2x3x191	0,5
E778801C1900B	BLNPS	bright alu	23x26x1900	2x3x191	0,4
E778801U1900B	BLNPS	satin	23x26x1900	2x3x191	0,4



# BLDP4 Four-piece sliding shower door



The sliding system saves space and prevents water from dripping outside the enclosure



SilentRun system ensures the door moves smoothly and quietly



The door can be tilted for easy cleaning

## Practical and attractive design

Ideal solution for creating a showering space in a bathroom recess 120 to 200 cm wide, or for creating a shower enclosure when combined with a BLPS fixed panel.

### Don't miss it

- 1.** Recommended drains and shower channels: Chrome, 10°, and Runway stainless steel shower channels. Zebra plastic shower channel with stainless steel grid. SN501 plastic point drain with stainless steel grid.
- 2.** Recommended shower trays: Gigant, Gigant Pro, Gigant Pro Flat, Gigant Pro Chrome.
- 3.** 6 mm safety glass with patented RAVAK AntiCalc® treatment.
- 4.** Cannot be used with the BLNPS extension profile.
- 5.** Completely enclosed all-metal sliding system with ball bearings.

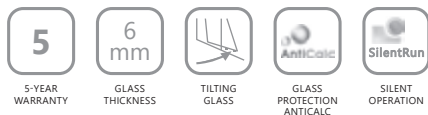
Shower trays → 266

Shower channels → 298

Seats → 258

Taps → 538

Accessories → 650



# Blix BLDP4

## Finish



## Standard panel material



## Non-standard panel material



Height  
1900 mm

Order No.	Type	Frame	Panel	Product dimensions (mm)	Product dimensions in mm - installation with BLPS	Product dimensions in mm - installation with BLPS+BLPS	V <sup>W</sup> entrance (mm)	Size of packaging (cm)	Gross weight (kg)
<b>OYVG0100Z1</b>	BLDP4 120	white	transparent	1170-1210	1170-1190	1170	493	69,5x11x201,5	45,9
<b>OYVG0U00Z1</b>	BLDP4 120	satin	transparent	1170-1210	1170-1190	1170	493	69,5x11x201,5	45,9
<b>OYVG0C00Z1</b>	BLDP4 120	bright alu	transparent	1170-1210	1170-1190	1170	493	69,5x11x201,5	45,9
<b>OYVG0100ZG</b>	BLDP4 120	white	grape	1170-1210	1170-1190	1170	493	69,5x11x201,5	45,9
<b>OYVG0U00ZG</b>	BLDP4 120	satin	grape	1170-1210	1170-1190	1170	493	69,5x11x201,5	45,9
<b>OYVG0C00ZG</b>	BLDP4 120	bright alu	grape	1170-1210	1170-1190	1170	493	69,5x11x201,5	45,9
<b>OYVJ0100Z1</b> ◦	BLDP4 130	white	transparent	1270-1310	1270-1290	1270	543	69,5x11x201,5	48,8
<b>OYVJ0U00Z1</b> ◦	BLDP4 130	satin	transparent	1270-1310	1270-1290	1270	543	69,5x11x201,5	48,8
<b>OYVJ0C00Z1</b> ◦	BLDP4 130	bright alu	transparent	1270-1310	1270-1290	1270	543	69,5x11x201,5	48,8
<b>OYVJ0100ZG</b> ◦	BLDP4 130	white	grape	1270-1310	1270-1290	1270	543	69,5x11x201,5	48,8
<b>OYVJ0U00ZG</b> ◦	BLDP4 130	satin	grape	1270-1310	1270-1290	1270	543	69,5x11x201,5	48,8
<b>OYVJ0C00ZG</b> ◦	BLDP4 130	bright alu	grape	1270-1310	1270-1290	1270	543	69,5x11x201,5	48,8
<b>OYVM0100Z1</b> ◦	BLDP4 140	white	transparent	1370-1410	1370-1390	1370	593	69,5x11x201,5	51,7
<b>OYVM0U00Z1</b> ◦	BLDP4 140	satin	transparent	1370-1410	1370-1390	1370	593	69,5x11x201,5	51,7
<b>OYVM0C00Z1</b> ◦	BLDP4 140	bright alu	transparent	1370-1410	1370-1390	1370	593	69,5x11x201,5	51,7
<b>OYVM0100ZG</b> ◦	BLDP4 140	white	grape	1370-1410	1370-1390	1370	593	69,5x11x201,5	51,7
<b>OYVM0U00ZG</b> ◦	BLDP4 140	satin	grape	1370-1410	1370-1390	1370	593	69,5x11x201,5	51,7
<b>OYVM0C00ZG</b> ◦	BLDP4 140	bright alu	grape	1370-1410	1370-1390	1370	593	69,5x11x201,5	51,7
<b>OYVP0100Z1</b> ◦	BLDP4 150	white	transparent	1470-1510	1470-1490	1470	643	69,5x11x201,5	55,0
<b>OYVP0U00Z1</b> ◦	BLDP4 150	satin	transparent	1470-1510	1470-1490	1470	643	69,5x11x201,5	55,0
<b>OYVP0C00Z1</b> ◦	BLDP4 150	bright alu	transparent	1470-1510	1470-1490	1470	643	69,5x11x201,5	55,0
<b>OYVP0100ZG</b> ◦	BLDP4 150	white	grape	1470-1510	1470-1490	1470	643	69,5x11x201,5	55,0
<b>OYVP0U00ZG</b> ◦	BLDP4 150	satin	grape	1470-1510	1470-1490	1470	643	69,5x11x201,5	55,0
<b>OYVP0C00ZG</b> ◦	BLDP4 150	bright alu	grape	1470-1510	1470-1490	1470	643	69,5x11x201,5	55,0
<b>OYVS0100Z1</b> ◦	BLDP4 160	white	transparent	1570-1610	1570-1590	1570	693	69,5x11x201,5	57,6
<b>OYVS0U00Z1</b> ◦	BLDP4 160	satin	transparent	1570-1610	1570-1590	1570	693	69,5x11x201,5	57,6
<b>OYVS0C00Z1</b> ◦	BLDP4 160	bright alu	transparent	1570-1610	1570-1590	1570	693	69,5x11x201,5	57,6
<b>OYVS0100ZG</b> ◦	BLDP4 160	white	grape	1570-1610	1570-1590	1570	693	69,5x11x201,5	57,6
<b>OYVS0U00ZG</b> ◦	BLDP4 160	satin	grape	1570-1610	1570-1590	1570	693	69,5x11x201,5	57,6
<b>OYVS0C00ZG</b> ◦	BLDP4 160	bright alu	grape	1570-1610	1570-1590	1570	693	69,5x11x201,5	57,6
<b>OYVV0100Z1</b> ◦	BLDP4 170	white	transparent	1670-1710	1670-1690	1670	743	69,5x11x201,5	60,7
<b>OYVV0U00Z1</b> ◦	BLDP4 170	satin	transparent	1670-1710	1670-1690	1670	743	69,5x11x201,5	60,7
<b>OYVV0C00Z1</b> ◦	BLDP4 170	bright alu	transparent	1670-1710	1670-1690	1670	743	69,5x11x201,5	60,7
<b>OYVV0100ZG</b> ◦	BLDP4 170	white	grape	1670-1710	1670-1690	1670	743	69,5x11x201,5	60,7
<b>OYVV0U00ZG</b> ◦	BLDP4 170	satin	grape	1670-1710	1670-1690	1670	743	69,5x11x201,5	60,7
<b>OYVV0C00ZG</b> ◦	BLDP4 170	bright alu	grape	1670-1710	1670-1690	1670	743	69,5x11x201,5	60,7
<b>OYVY0100Z1</b> ◦	BLDP4 180	white	transparent	1770-1810	1770-1790	1770	793	69,5x11x201,5	63,4
<b>OYVY0U00Z1</b> ◦	BLDP4 180	satin	transparent	1770-1810	1770-1790	1770	793	69,5x11x201,5	63,4
<b>OYVY0C00Z1</b> ◦	BLDP4 180	bright alu	transparent	1770-1810	1770-1790	1770	793	69,5x11x201,5	63,4
<b>OYVY0100ZG</b> ◦	BLDP4 180	white	grape	1770-1810	1770-1790	1770	793	69,5x11x201,5	63,4
<b>OYVY0U00ZG</b> ◦	BLDP4 180	satin	grape	1770-1810	1770-1790	1770	793	69,5x11x201,5	63,4
<b>OYVY0C00ZG</b> ◦	BLDP4 180	bright alu	grape	1770-1810	1770-1790	1770	793	69,5x11x201,5	63,4
<b>OYVL0100Z1</b> ◦	BLDP4 190	white	transparent	1870-1910	1870-1890	1870	843	69,5x11x201,5	66,3
<b>OYVL0U00Z1</b> ◦	BLDP4 190	satin	transparent	1870-1910	1870-1890	1870	843	69,5x11x201,5	66,3
<b>OYVL0C00Z1</b> ◦	BLDP4 190	bright alu	transparent	1870-1910	1870-1890	1870	843	69,5x11x201,5	66,3
<b>OYVL0100ZG</b> ◦	BLDP4 190	white	grape	1870-1910	1870-1890	1870	843	69,5x11x201,5	66,3
<b>OYVL0U00ZG</b> ◦	BLDP4 190	satin	grape	1870-1910	1870-1890	1870	843	69,5x11x201,5	66,3
<b>OYVL0C00ZG</b> ◦	BLDP4 190	bright alu	grape	1870-1910	1870-1890	1870	843	69,5x11x201,5	66,3

◦ Delivery time is 6 weeks.  
Other products are delivered within 14 days as standard.

# BLDP4 Four-piece sliding shower door



The sliding system saves space and prevents water from dripping outside the enclosure



SilentRun system ensures the door moves smoothly and quietly



The door can be tilted for easy cleaning

## Practical and attractive design

Ideal solution for creating a showering space in a bathroom recess 120 to 200 cm wide, or for creating a shower enclosure when combined with a BLPS fixed panel.

### Don't miss it

- 1.** Recommended drains and shower channels: Chrome, 10°, and Runway stainless steel shower channels. Zebra plastic shower channel with stainless steel grid. SN501 plastic point drain with stainless steel grid.
- 2.** Recommended shower trays: Gigant, Gigant Pro, Gigant Pro Flat, Gigant Pro Chrome.
- 3.** 6 mm safety glass with patented RAVAK AntiCalc® treatment.
- 4.** Cannot be used with the BLNPS extension profile.
- 5.** Completely enclosed all-metal sliding system with ball bearings.

Shower trays → 266

Shower channels → 298

Seats → 258

Taps → 538

Accessories → 650



5-YEAR WARRANTY



GLASS THICKNESS



TILTING GLASS



GLASS PROTECTION ANTICALC



SILENT OPERATION

# Blix BLDP4

## Finish



BRIGHT ALU

SATIN

WHITE

## Standard panel material



TRANSPARENT

GRAPE

## Non-standard panel material



GRAPHITE

MATELUX

MATRIX

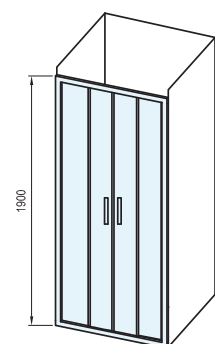
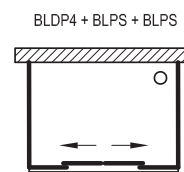
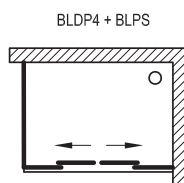
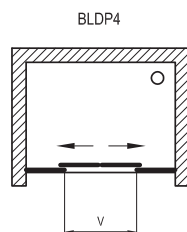
GRAPE

TRANSPARENT

Height 1900 mm

Order No.	Type	Frame	Panel	Product dimensions (mm)	Product dimensions in mm - installation with BLPS	Product dimensions in mm - installation with BLPS+BLPS	"V" entrance (mm)	Size of packaging (cm)	Gross weight (kg)
<b>OYVK0100Z1</b>	o BLDP4 200	white	transparent	1970-2010	1970-1990	1970	893	69,5x11x201,5	69,3
<b>OYVK0U00Z1</b>	o BLDP4 200	satin	transparent	1970-2010	1970-1990	1970	893	69,5x11x201,5	69,3
<b>OYVK0C00Z1</b>	o BLDP4 200	bright alu	transparent	1970-2010	1970-1990	1970	893	69,5x11x201,5	69,3
<b>OYVK0100ZG</b>	o BLDP4 200	white	grape	1970-2010	1970-1990	1970	893	69,5x11x201,5	69,3
<b>OYVK0U00ZG</b>	o BLDP4 200	satin	grape	1970-2010	1970-1990	1970	893	69,5x11x201,5	69,3
<b>OYVK0C00ZG</b>	o BLDP4 200	bright alu	grape	1970-2010	1970-1990	1970	893	69,5x11x201,5	69,3

o Delivery time is 6 weeks.  
Other products are delivered within 14 days as standard.



# BLPS Fixed panel



Option to choose the depth of the shower enclosure: 80 - 100 cm



Adjustable by up to 20 mm – accommodates uneven surfaces

Option to use the BLNPS extension profile – extends width by 20 mm

## Practical and attractive design

The space next to the fixed panel can serve as the perfect spot for your washing machine, washbasin, or toilet.

### Don't miss it

- 1.** Recommended drains and shower channels: Chrome, 10°, and Runway stainless steel shower channels. Zebra plastic shower channel with stainless steel grid. SN501 plastic point drain with stainless steel grid.
- 2.** Recommended shower trays: Perseus Pro, Perseus Pro Chrome, Gigant, Gigant Pro, Gigant Pro Flat, Gigant Pro Chrome.
- 3.** The product is not designed for standalone use and must be installed alongside a shower door or shower enclosure. It cannot be used in combination with BLDZ2.
- 4.** Using 2x BLPS and 1x BLDP2 or BLDP4 door enables creating a U-shaped shower enclosure.
- 5.** BLNPS extension profile for widening the enclosure by 2 cm. A maximum of 2 profiles can be used on each side.

Shower trays → 266

Shower channels → 298

Seats → 258

Taps → 538

Accessories → 650



# Blix BLPS

## Finish



## Standard panel material



## Non-standard panel material



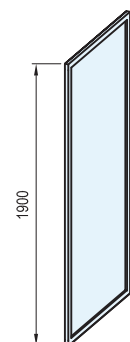
Height  
1900 mm

Order No.	Type	Frame	Panel	Product dimensions (mm)	Size of packaging (cm)	Gross weight (kg)
<b>9BH40100Z1</b>	BLPS 80	white	transparent	770-790	77x4x193	26,0
<b>9BH40100ZG</b>	BLPS 80	white	grape	770-790	78x4x196	26,0
<b>9BH40C00Z1</b>	BLPS 80	bright alu	transparent	770-790	77x4x193	26,0
<b>9BH40C00ZG</b>	BLPS 80	bright alu	grape	770-790	78x4x196	26,0
<b>9BH40U00Z1</b>	BLPS 80	satin	transparent	770-790	77x4x193	26,0
<b>9BH40U00ZG</b>	BLPS 80	satin	grape	770-790	78x4x196	26,0
<b>9BH70100Z1</b>	BLPS 90	white	transparent	870-890	87x4x193	29,3
<b>9BH70100ZG</b>	BLPS 90	white	grape	870-890	88x4x196	29,3
<b>9BH70C00Z1</b>	BLPS 90	bright alu	transparent	870-890	87x4x193	29,3
<b>9BH70C00ZG</b>	BLPS 90	bright alu	grape	870-890	88x4x196	29,3
<b>9BH70U00Z1</b>	BLPS 90	satin	transparent	870-890	87x4x193	29,3
<b>9BH70U00ZG</b>	BLPS 90	satin	grape	870-890	88x4x196	29,3
<b>9BHA0100Z1</b>	BLPS 100	white	transparent	970-990	97x4x193	32,5
<b>9BHA0100ZG</b>	BLPS 100	white	grape	970-990	98x4x195	32,5
<b>9BHA0C00Z1</b>	BLPS 100	bright alu	transparent	970-990	97x4x193	32,5
<b>9BHA0C00ZG</b>	BLPS 100	bright alu	grape	970-990	98x4x196	32,5
<b>9BHA0U00Z1</b>	BLPS 100	satin	transparent	970-990	97x10x193	32,5
<b>9BHA0U00ZG</b>	BLPS 100	satin	grape	970-990	98x4x196	32,5

Products are delivered within 14 days as standard.

## Extension profiles

Order No.	Type	Frame	Product dimensions (mm)	Size of packaging (cm)	Gross weight (kg)
<b>E7788011900B</b>	BLNPS	white	23x26x1900	2x3x191	0,5
<b>E778801C1900B</b>	BLNPS	bright alu	23x26x1900	2x3x191	0,4
<b>E778801U1900B</b>	BLNPS	satin	23x26x1900	2x3x191	0,4



# **BLDZ2** Two-piece folding shower door



The folding system saves space and prevents water from dripping outside the enclosure



SilentRun system ensures the door moves smoothly and quietly



Practical handle for comfortable door opening

## **Practical and attractive design**

Folding door for even the smallest bathroom recesses (70 cm), or for creating a shower enclosure in combination with a fixed panel.

### **Don't miss it**

- 1.** Recommended drains and shower channels: Chrome, 10°, and Runway stainless steel shower channels. Zebra plastic shower channel with stainless steel grid. SN501 plastic point drain with stainless steel grid.
- 2.** Recommended shower trays: Aneta, Angela, Perseus Pro, Perseus Pro Flat, Perseus Pro Chrome, Gigant, Gigant Pro, Gigant Pro Flat.
- 3.** 6 mm safety glass with patented RAVAK AntiCalc® treatment.
- 4.** Completely encased all-metal sliding system with ball bearings.
- 5.** Cannot be used with the BLNPS extension profile.

Shower trays → 266

Shower channels → 298

Seats → 258

Taps → 538

Accessories → 650



5-YEAR WARRANTY



GLASS THICKNESS



GLASS PROTECTION ANTICALC



SILENT OPERATION

# Blix BLDZ2

## Finish



BRIGHT ALU

## Standard panel material

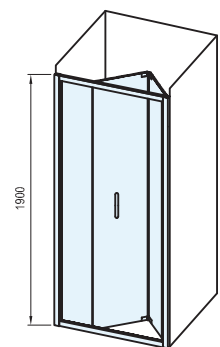
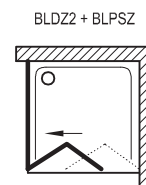
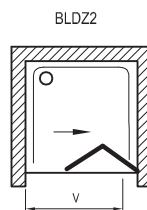


TRANSPARENT

Height  
1900 mm

Order No.	Type	Frame	Panel	Product dimensions (mm)	Product dimensions in mm - installation with BLPSZ	„V“ entrance (mm)	Size of packaging (cm)	Gross weight (kg)
<b>X01H10C00Z1</b>	BLDZ2 70	bright alu	transparent	670-710	670-690	453	73x7x198	25,5
<b>X01H40C00Z1</b>	BLDZ2 80	bright alu	transparent	770-810	770-790	553	83x7x198	29,5
<b>X01H70C00Z1</b>	BLDZ2 90	bright alu	transparent	870-910	870-890	654	93x7x198	33,5

Products are delivered within 14 days as standard.



# BLPSZ Fixed panel, for combination with BLDZ2



Option to choose the depth of the shower enclosure: 80-90 cm

## Practical and attractive design

The space next to the fixed panel can serve as the perfect spot for your washing machine, washbasin, or toilet.

### Don't miss it

- 1.** Recommended drains and shower channels: Chrome, 10°, and Runway stainless steel shower channels. Zebra plastic shower channel with stainless steel grid. SN501 plastic point drain with stainless steel grid.
- 2.** Recommended shower trays: Aneta, Angela, Perseus Pro, Perseus Pro Flat, Perseus Pro Chrome, Gigant, Gigant Pro, Gigant Pro Flat.
- 3.** The product is not designed for standalone use and must be installed alongside the BLDZ2 shower door.
- 4.** Cannot be used with the BLNPS extension profile.

Shower trays → 266

Shower channels → 298

Seats → 258

Taps → 538

Accessories → 650

5

5-YEAR WARRANTY

6 mm

GLASS THICKNESS



GLASS PROTECTION ANTICALC

# Blix BLPSZ

## Finish



BRIGHT ALU

## Standard panel material

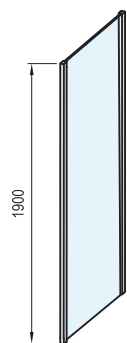


TRANSPARENT

Height  
1900 mm

Order No.	Type	Frame	Panel	Product dimensions (mm)	Size of packaging (cm)	Gross weight (kg)
<b>X93H40C00Z1</b>	BLPSZ 80	bright alu	transparent	780-800	83x5x198	25,0
<b>X93H70C00Z1</b>	BLPSZ 90	bright alu	transparent	880-900	93x5x198	27,0

Products are delivered within 14 days as standard.

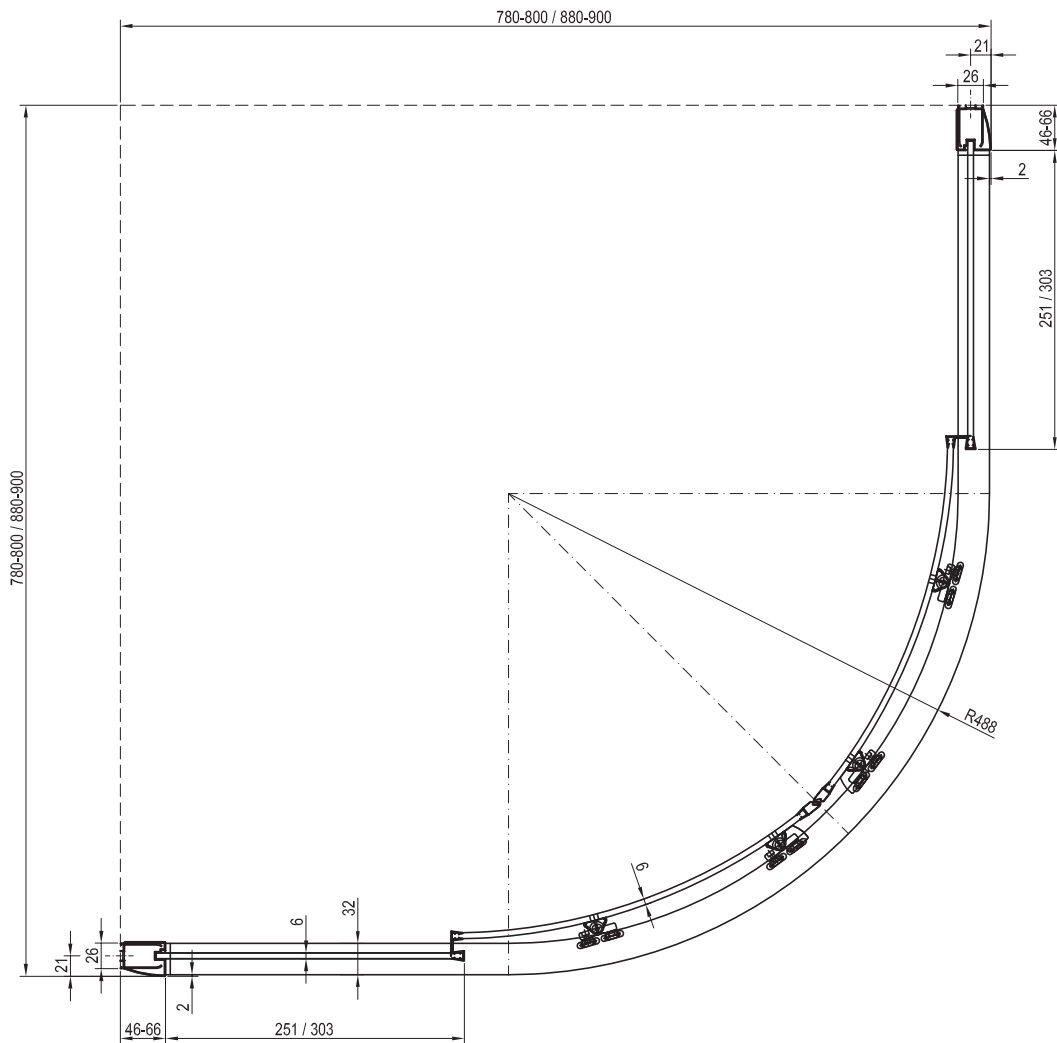


# BLCP4 Construction prerequisites

Type	Mounting onto a tray* Recommended shower tray size (mm)	Floor mounting** Recommended size of inclined area (mm)
<b>BLCP4 - 80</b>	800 x 800, R 500	In accordance with technical drawings
<b>BLCP4 - 90</b>	900 x 900, R 500	In accordance with technical drawings

\* The values listed in the table assume that the tray is installed in accordance with the RAVAK assembly manual.

\*\* The values in the table apply to the inside edge of the glass.

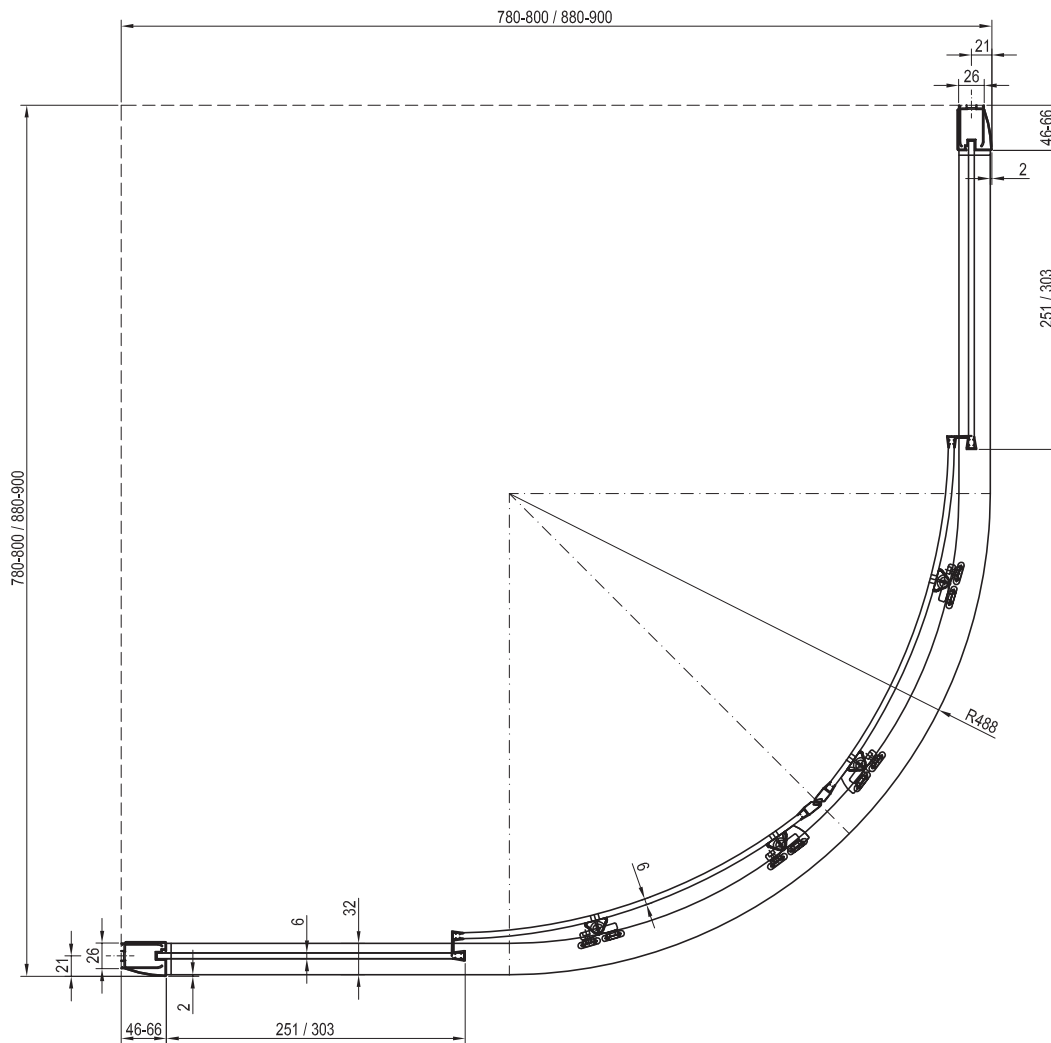


# BLCP4 Sabina Construction prerequisites

Type	Mounting onto a tray * Recommended shower tray size (mm)	Floor mounting ** Recommended size of inclined area (mm)
<b>BLCP4 - 80 Sabina</b>	800 x 800, Sabina R 500	In accordance with technical drawings
<b>BLCP4 - 90 Sabina</b>	900 x 900, Sabina R 500	In accordance with technical drawings

\* The values listed in the table assume that the tray is installed in accordance with the RAVAK assembly manual.

\*\* The values in the table apply to the inside edge of the glass.

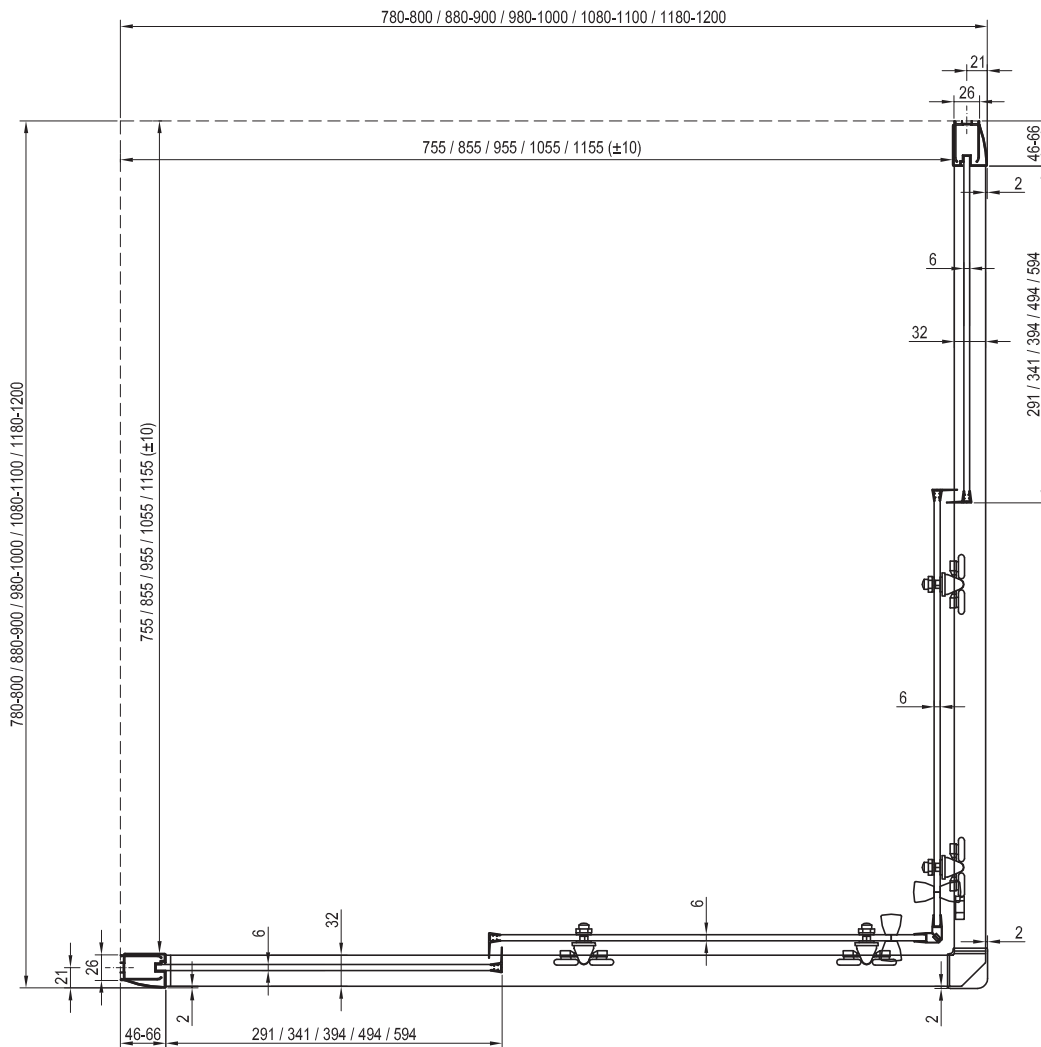


# BLRV2 Construction prerequisites

Type	Mounting onto a tray* Recommended shower tray size (mm)	Floor mounting** Recommended size of inclined area (mm)
<b>BLRV2 - 80</b>	800 x 800	755 x 755
<b>BLRV2 - 90</b>	900 x 900	855 x 855

\* The values listed in the table assume that the tray is installed in accordance with the RAVAK assembly manual.

\*\* The values in the table apply to the inside edge of the glass.

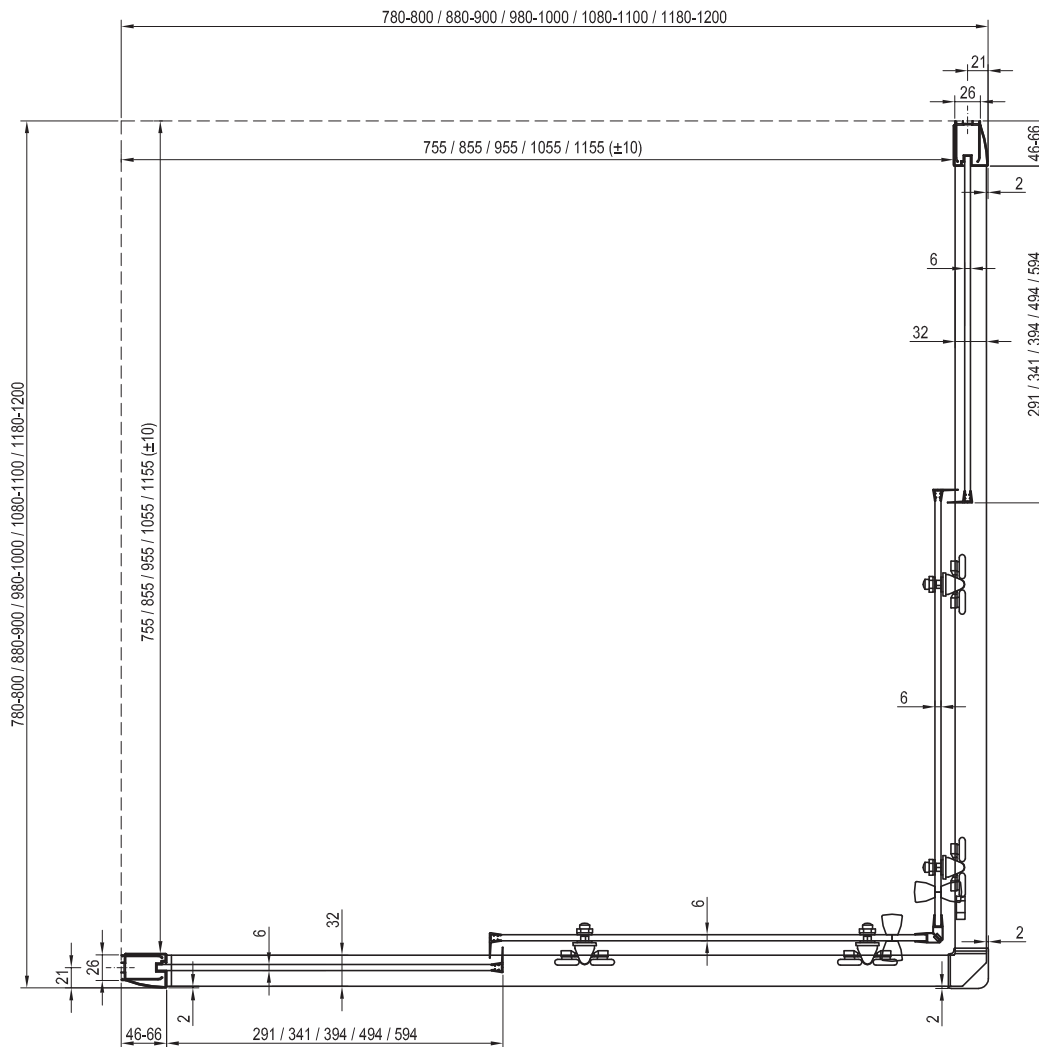


# BLRV2K + BLRV2K Construction prerequisites

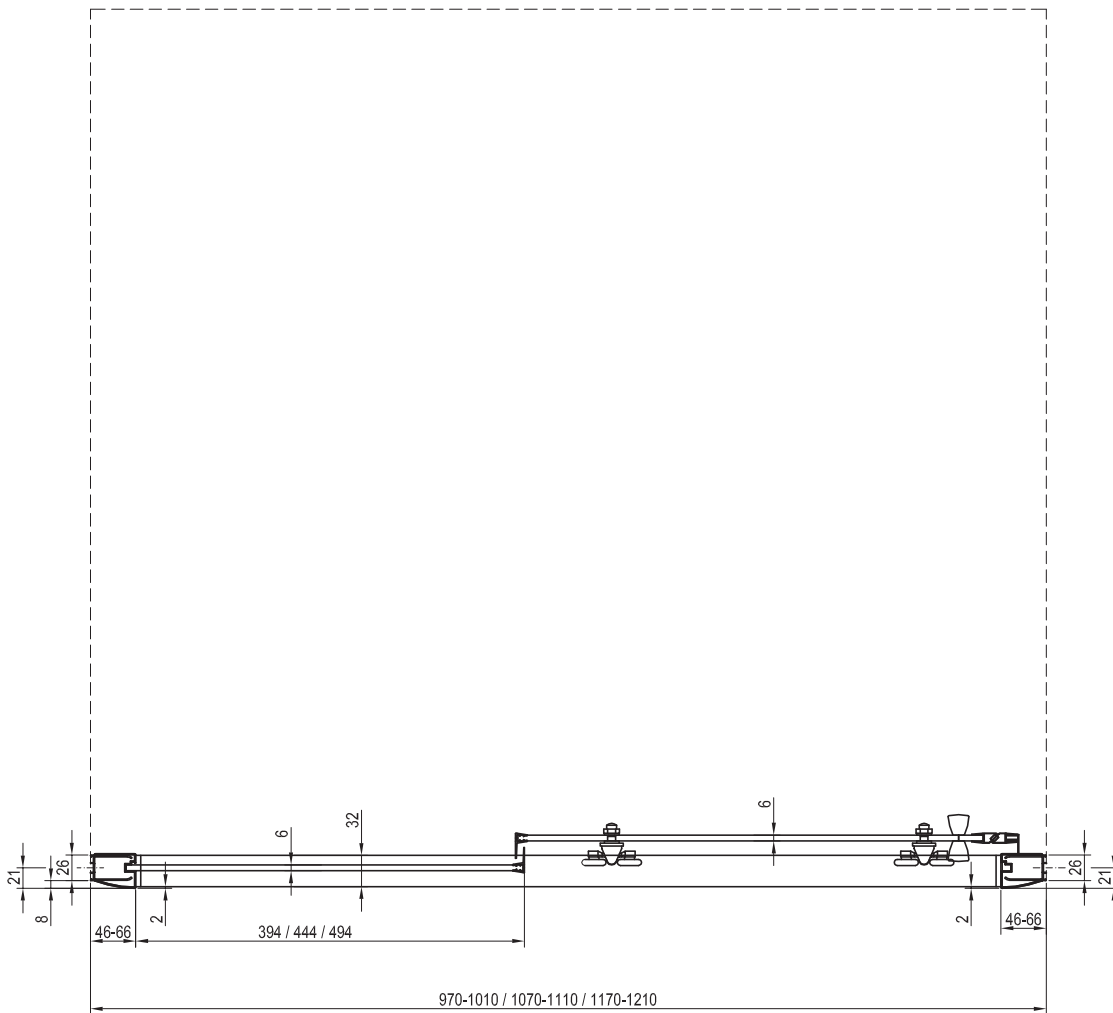
Type	Mounting onto a tray* Recommended shower tray size (mm)	Floor mounting** Recommended size of inclined area (mm)
BLRV2K - 80 + BLRV2K - 80	800 x 800	755 x 755
BLRV2K - 90 + BLRV2K - 90	900 x 900	855 x 855
BLRV2K - 100 + BLRV2K - 100	1000 x 1000	955 x 955
BLRV2K - 100 + BLRV2K - 80	1000 x 800	955 x 755
BLRV2K - 110 + BLRV2K - 80	1100 x 800	1055 x 755
BLRV2K - 120 + BLRV2K - 80	1200 x 800	1155 x 755
BLRV2K - 120 + BLRV2K - 90	1200 x 900	1155 x 855
Other combinations	-	In accordance with technical drawings

\* The values listed in the table assume that the tray is installed in accordance with the RAVAK assembly manual.

\*\* The values in the table apply to the inside edge of the glass.



# BLDP2 Construction prerequisites

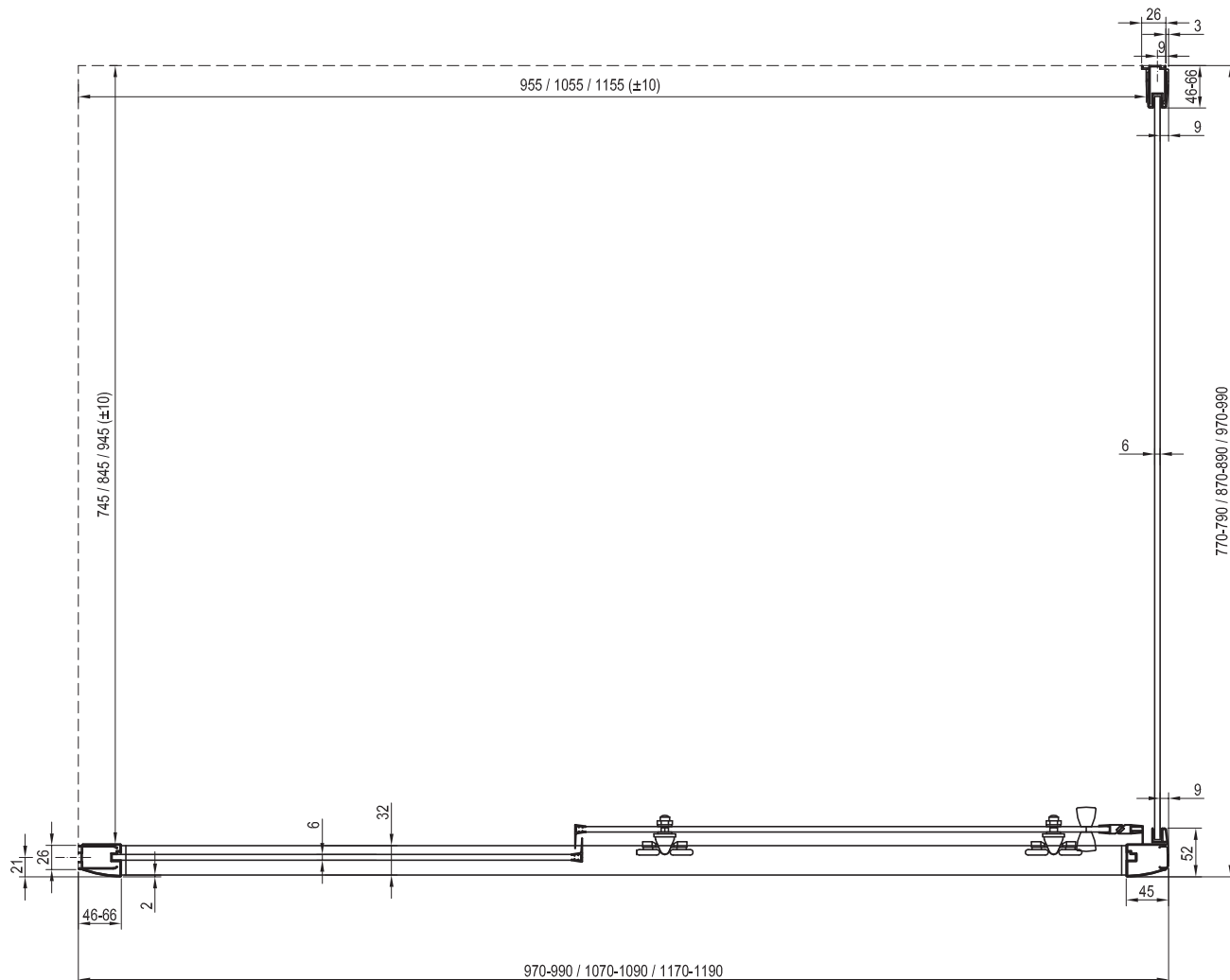


# BLDP2 + BLPS Construction prerequisites

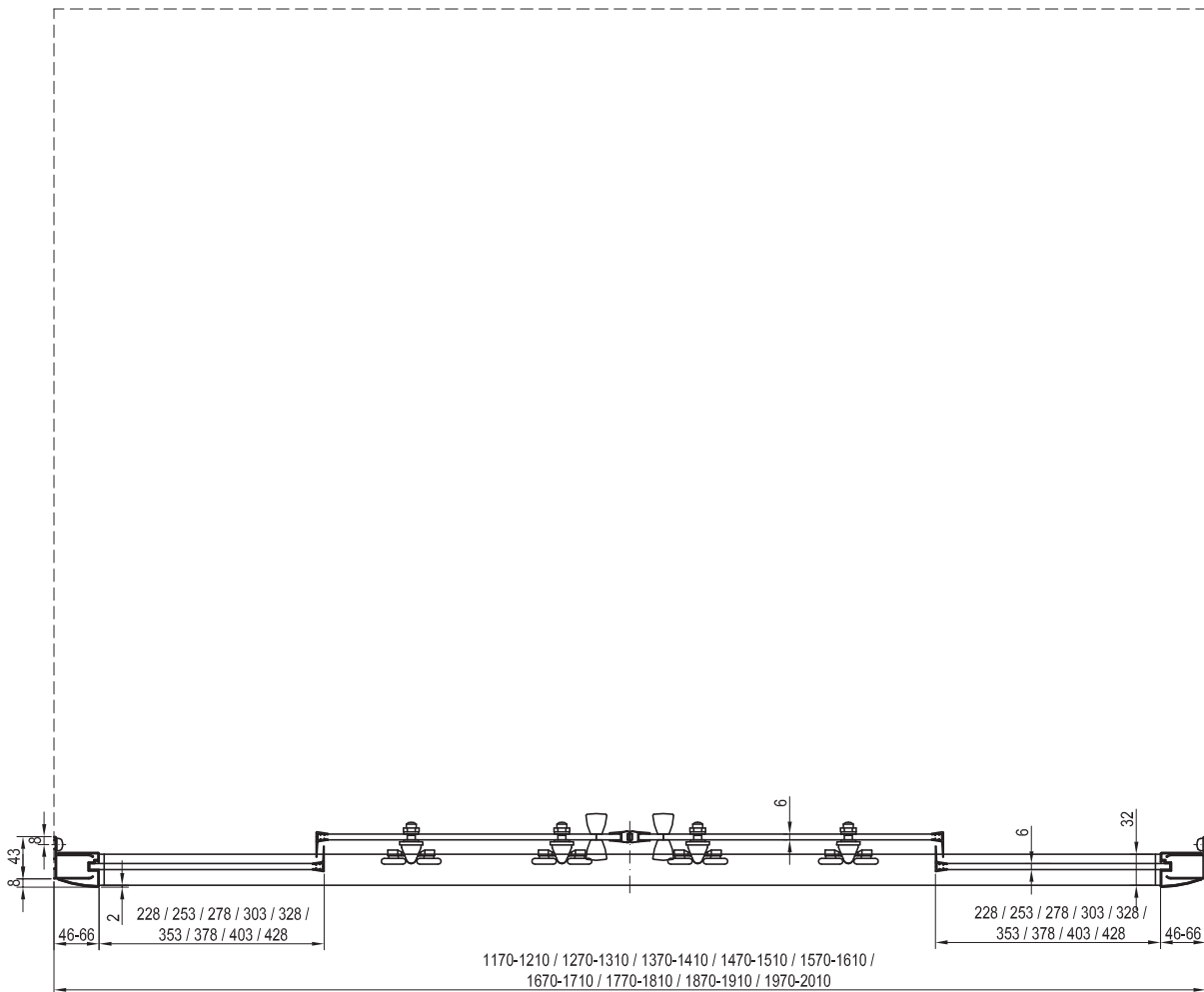
Type	Mounting onto a tray* Recommended shower tray size (mm)	Floor mounting** Recommended size of inclined area (mm)
<b>BLDP2 - 100 + BLPS - 80</b>	1000 x 800	955 x 745
<b>BLDP2 - 100 + BLPS - 100</b>	1000 x 1000	955 x 945
<b>BLDP2 - 110 + BLPS - 80</b>	1100 x 800	1055 x 745
<b>BLDP2 - 120 + BLPS - 80</b>	1200 x 800	1155 x 745
<b>BLDP2 - 120 + BLPS - 90</b>	1200 x 900	1155 x 845
<b>Other combinations</b>	-	In accordance with technical drawings

\* The values listed in the table assume that the tray is installed in accordance with the RAVAK assembly manual.

\*\* The values in the table apply to the inside edge of the glass.



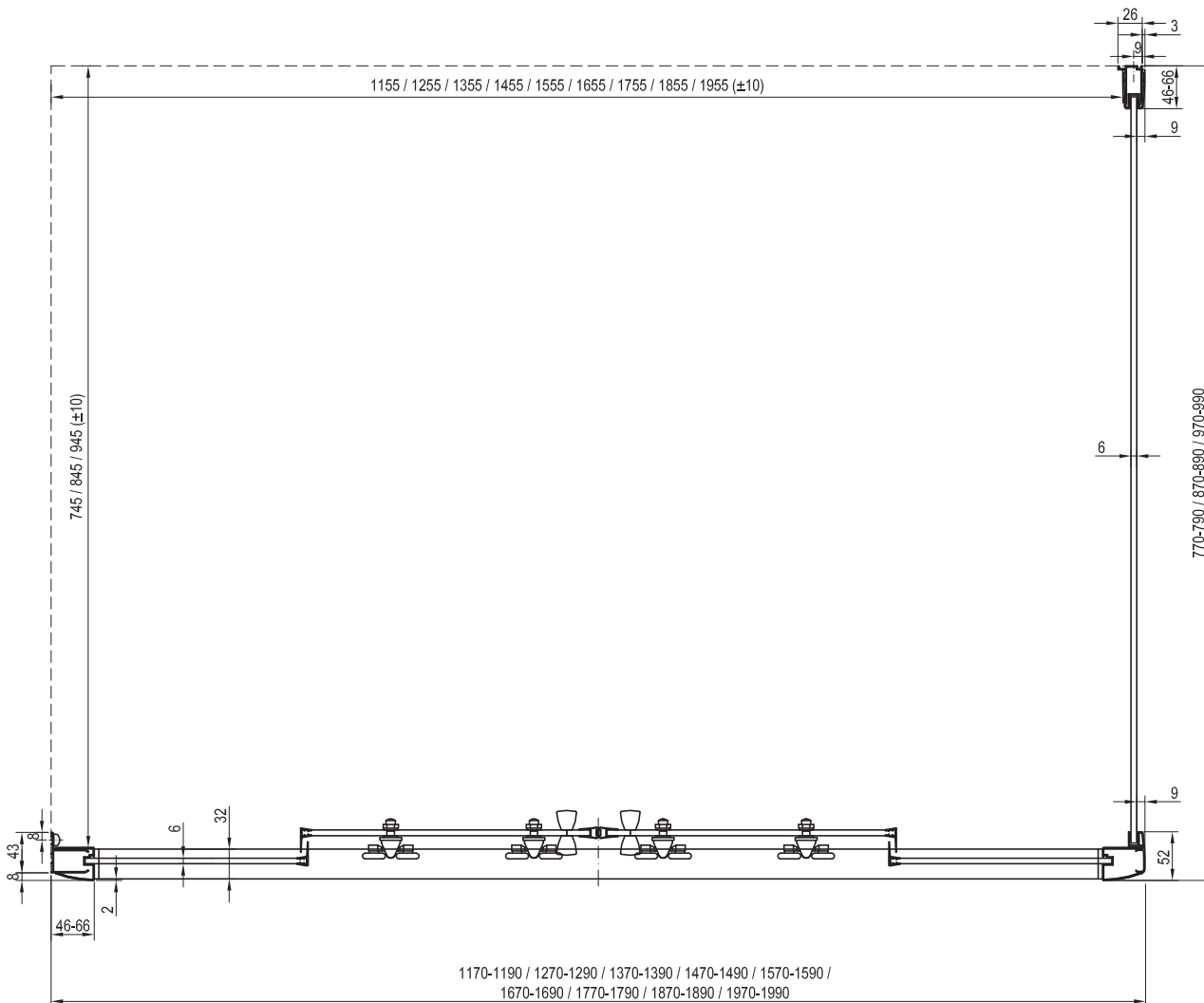
# BLDP4 Construction prerequisites



# BLDP4 + BLPS Construction prerequisites

Type	Mounting onto a tray * Recommended shower tray size (mm)	Floor mounting ** Recommended size of inclined area (mm)
<b>BLDP4 - 120 + BLPS - 80</b>	1200 x 800	1155 x 745
<b>BLDP4 - 120 + BLPS - 90</b>	1200 x 900	1155 x 845
<b>Other combinations</b>	-	In accordance with technical drawings

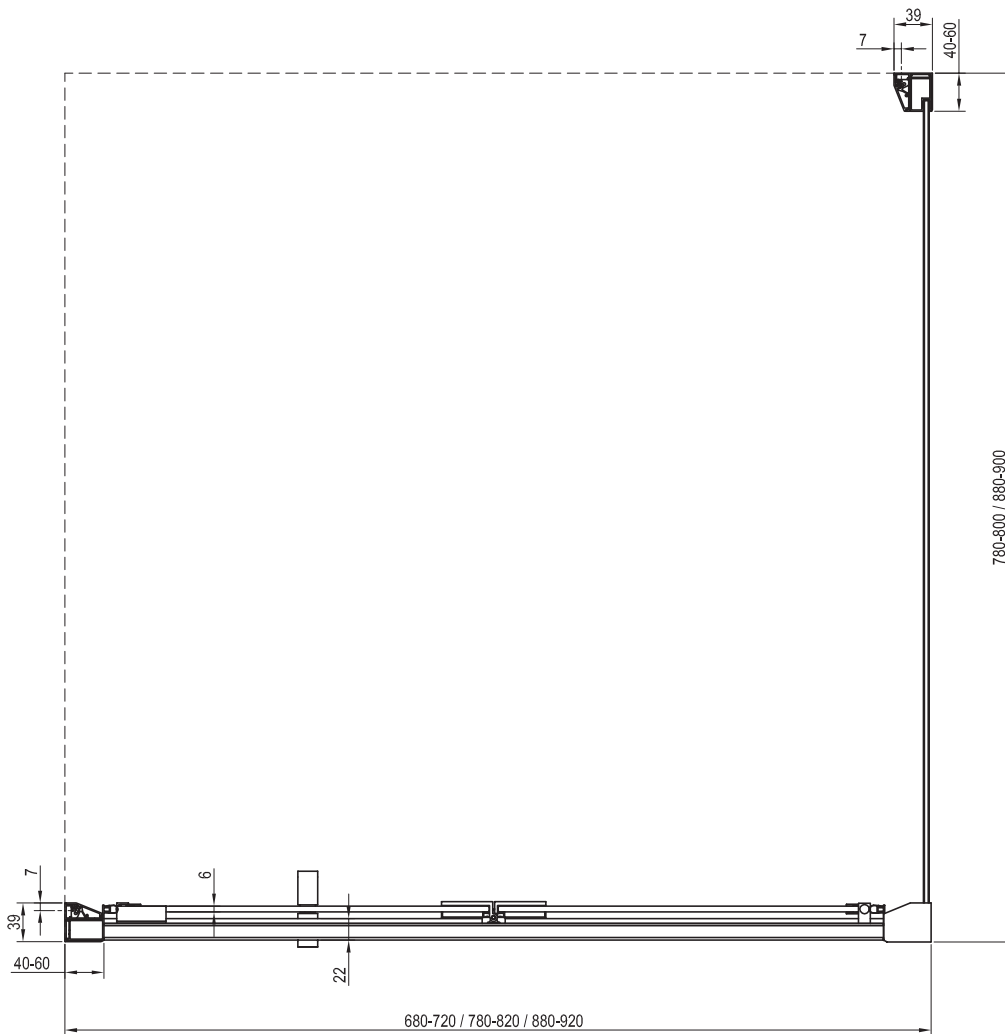
\* The values listed in the table assume that the tray is installed in accordance with the RAVAK assembly manual.  
 \*\* The values in the table apply to the inside edge of the glass.



# BLDZ2 + BLPSZ Construction prerequisites

Type	Mounting onto a tray* Recommended shower tray size (mm)	Floor mounting** Recommended size of inclined area (mm)
<b>BLDZ2 - 80 + BLPSZ - 80</b>	800 x 800	740 x 750
<b>BLDZ2 - 90 + BLPSZ - 90</b>	900 x 900	840 x 850
<b>Other combinations</b>	-	In accordance with technical drawings


\* The values listed in the table assume that the tray is installed in accordance with the RAVAK assembly manual.  
 \*\* The values in the table apply to the inside edge of the glass.




## Wall profiles and extension profiles

Order No.	Type	Frame	Product dimensions (mm)	Size of packaging (cm)	Gross weight (kg)
<b>E7788011900B</b>	BLNPS	white	23x26x1900	2x3x191	0,5
<b>E778801C1900B</b>	BLNPS	bright alu	23x26x1900	2x3x191	0,4
<b>E778801U1900B</b>	BLNPS	satın	23x26x1900	2x3x191	0,4

### Wall profiles and extension profiles

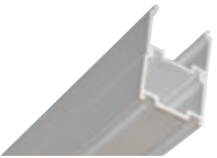


EXTENSION PROFILE

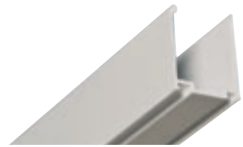


The shower enclosure can be adjusted by 10 mm on each side within the wall profile.

Shower enclosure  
/Graphical example of use with Supernova shower enclosure/



**Extension profiles**  
Allow you to adjust (widen) the shower enclosure or door by 2 cm each time. Maximum 2 profiles per side.  
**Extension profiles are available for the following shower enclosure and door ranges: Nexty, Pivot, Blix and Supernova.**



**Wall profile**  
Used to fix the shower enclosure or door to the wall.  
**Not sold separately, but included with any product it is required for.**

Can be used for all Blix products (except BLDP4, BLDZ2, BLPSZ).

# Supernova



5

5-YEAR WARRANTY ON ALL SHOWER ENCLOSURES AND DOORS

3 mm

GLASS THICKNESS



GLASS PROTECTION

The glass is protected by RAVAK AntiCalc® surface treatment technology.



EASY INSTALLATION

Frame installation with just a few screws



EXTENSION PROFILE

10

10-YEAR WARRANTY ON ANTiBLOCK

The AntiBlock solution comes with a 10-year warranty



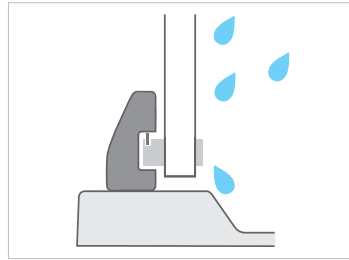
**Everlasting frame structure**

Thick-walled aluminium profiles, firm joints and high-quality surface finish suitable even for commercial environments



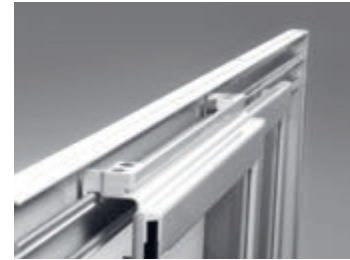
**Perfectly adaptable**

ANPS/NPS extension profiles allow the door to be widened, enabling installation even in spaces that don't match the standard product dimensions (up to 4 cm per side)



**Maximum watertightness**

The enclosure holds water in even during intense showering



**AntiBlock**

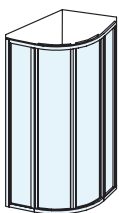
Patented system guarantees smooth and quiet movement, preventing the door from jamming or misaligning

**The widest selection**

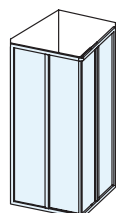
5 standard variants and countless combinations of frame colours and panels

**Very easy to install**

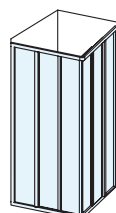
Delivered fully assembled – simply screw to the wall and seal



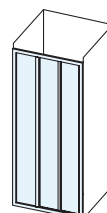
SKCP4 / SKCP4 Sabina



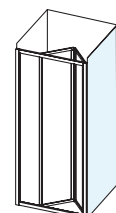
SRV2 + SRV2



ASRV3 + ASRV3



ASDP3



APSS

# SKCP4 Four-piece quadrant shower enclosure



Antiblock – flawless and smooth door movement with 10-year warranty



Maximum watertightness – water stays inside the enclosure



Can be adjusted to accommodate uneven surfaces by +/- 10 mm

### Absolute reliability

Thanks to their thick-walled aluminium structure, high-quality surface finish and AntiBlock system, Supernova shower enclosures are the most reliable enclosures on the market.

#### Don't miss it

- 1.** Recommended drains and shower channels: Chrome, 10°, and Runway stainless steel shower channels. Zebra plastic shower channel with stainless steel grid. SN501 plastic point drain with stainless steel grid.
- 2.** Recommended shower trays: Ronda, Elipso, Elipso Pro, Elipso Pro Flat, Elipso Pro Chrome, Sabina.
- 3.** Very easy to install – products are delivered assembled.
- 4.** Option to use 2 cm extension profiles for quick adaptation to non-standard bathroom dimensions. It is possible to use a maximum of 2 profiles on each side.

Shower trays → 266

Shower channels → 298

Seats → 258

Taps → 538

Accessories → 650



# Supernova SKCP4

## Finish



## Standard panel material



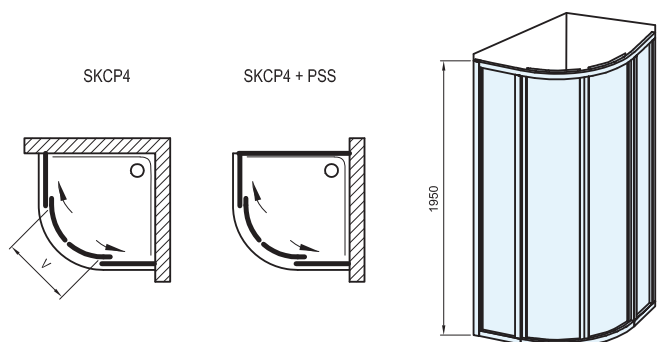
Height  
1950 mm

Order No.	Type	Frame	Panel	Product dimensions (mm)	„V“ entrance (mm)	Size of packaging (cm)	Gross weight (kg)
3114O10211	SKCP4 80x80	white	pearl	775-795x775-795	500	8x42x195	16,2
3114O10221	SKCP4 80x80	white	transparent	775-795x775-795	500	8x42x195	28,6
3114O1022G	SKCP4 80x80	white	grape	775-795x775-795	500	8x42x195	27,5
3114O30211	SKCP4 80x80	black	pearl	775-795x775-795	500	8x42x195	16,2
3114O30221	SKCP4 80x80	black	transparent	775-795x775-795	500	8x42x195	28,6
3114O3022G	SKCP4 80x80	black	grape	775-795x775-795	500	8x42x195	27,5
3114OU0211	SKCP4 80x80	satin	pearl	775-795x775-795	500	8x42x195	16,2
3114OU0221	SKCP4 80x80	satin	transparent	775-795x775-795	500	8x42x195	28,6
3114OU022G	SKCP4 80x80	satin	grape	775-795x775-795	500	8x42x195	27,5
3117O10211	SKCP4 90x90	white	pearl	875-895x875-895	550	8x46x195	17,5
3117O10221	SKCP4 90x90	white	transparent	875-895x875-895	550	8x46x195	31,8
3117O1022G	SKCP4 90x90	white	grape	875-895x875-895	550	8x46x195	30,4
3117O30211	SKCP4 90x90	black	pearl	875-895x875-895	550	8x46x195	17,5
3117O30221	SKCP4 90x90	black	transparent	875-895x875-895	550	8x46x195	31,8
3117O3022G	SKCP4 90x90	black	grape	875-895x875-895	550	8x46x195	30,4
3117OU0211	SKCP4 90x90	satin	pearl	875-895x875-895	550	8x46x195	17,5
3117OU0221	SKCP4 90x90	satin	transparent	875-895x875-895	550	8x46x195	31,8
3117OU022G	SKCP4 90x90	satin	grape	875-895x875-895	550	8x46x195	30,5

Delivery time for designs in black is up to 5 weeks. Other products have a delivery time of 14 days.

## Extension and connecting profiles

Order No.	Type	Frame	Product dimensions (mm)	Size of packaging (cm)	Gross weight (kg)
E7788011195021	NPS Extension profile	white	23x26x1950	2x3x195	0,4
E7788013195021	NPS Extension profile 195	black	23x26x1950	2x3x195	0,4
E778801U195021	NPS Extension profile	satin	23x26x1950	2x3x195	0,4
E119500021	Connecting profile T	white	68x60x1950	7x7x199	1,9
E11950002U	Connecting profile T 195	satin	68x60x1950	7x7x199	1,9



# SKCP4 Sabina

 Four-piece quadrant shower enclosure

Antiblock – flawless and smooth door movement with 10-year warranty



Maximum watertightness – water stays inside the enclosure

## Absolute reliability

Thanks to their thick-walled aluminium structure, high-quality surface finish and AntiBlock system, Supernova shower enclosures are the most reliable enclosures on the market.

### Don't miss it

- 1.** Recommended shower trays: Sabina.
- 2.** Very easy to install – products are delivered assembled.
- 3.** Option to use 2 cm extension profiles for quick adaptation to non-standard bathroom dimensions. It is possible to use a maximum of 2 profiles on each side.
- 4.** Radius: 500 mm.
- 5.** The total height of the shower enclosure and tray is 2120 mm.

Shower trays → 266

Shower channels → 298

Seats → 258

Taps → 538

Accessories → 650

**5**

5-YEAR WARRANTY

**10**

10-YEAR WARRANTY ON ANTI-BLOCK



EASY INSTALLATION

# Supernova SKCP4 Sabina

## Finish



SATIN



WHITE

## Standard panel material

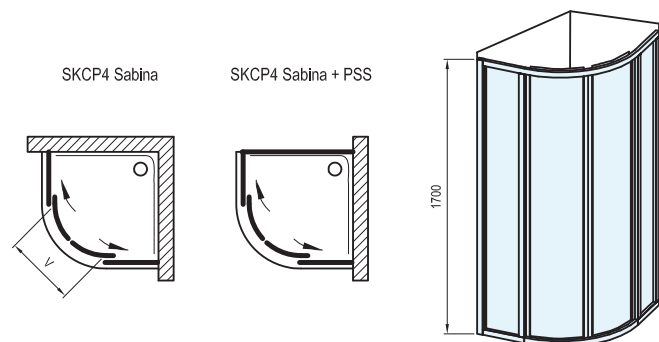


PEARL

Height  
1700 mm

Order No.	Type	Frame	Panel	Product dimensions (mm)	„V“ entrance (mm)	Size of packaging (cm)	Gross weight (kg)
<b>31144V10011</b>	SKCP4 Sabina 80x80	white	pearl	775-795x775-795	500	8x42x171	14,7
<b>31144VU0011</b>	SKCP4 Sabina 80x80	satin	pearl	775-795x775-795	500	8x42x171	14,7
<b>31177V10011</b>	SKCP4 Sabina 90x90	white	pearl	875-895x875-895	550	8x46x171	15,7
<b>31177VU0011</b>	SKCP4 Sabina 90x90	satin	pearl	875-895x875-895	550	8x46x171	15,7

Products are delivered within 14 days as standard.



# SRV2-S + SRV2-S Corner shower enclosure



Antiblock – flawless and smooth door movement with 10-year warranty



Maximum watertightness – water stays inside the enclosure



Can be adjusted to accommodate uneven surfaces by +/- 10 mm

## Absolute reliability

Thanks to their thick-walled aluminium structure, high-quality surface finish and AntiBlock system, Supernova shower enclosures are the most reliable enclosures on the market.

### Don't miss it

- 1.** Recommended drains and shower channels: Chrome, 10°, and Runway stainless steel shower channels. Zebra plastic shower channel with stainless steel grid. SN501 plastic point drain with stainless steel grid.
- 2.** Recommended shower trays: Aneta, Angela, Perseus Pro Flat, Perseus Pro Chrome, Gigant, Gigant Pro, Gigant Pro Flat, Gigant Pro Chrome.
- 3.** Very easy to install – products are delivered assembled.
- 4.** Option to use 2 cm extension profiles for quick adaptation to non-standard bathroom dimensions. It is possible to use a maximum of 2 profiles on each side.

Shower trays → 266

Shower channels → 298

Seats → 258

Taps → 538

Accessories → 650



# Supernova SRV2-S + SRV2-S

## Finish



## Standard panel material



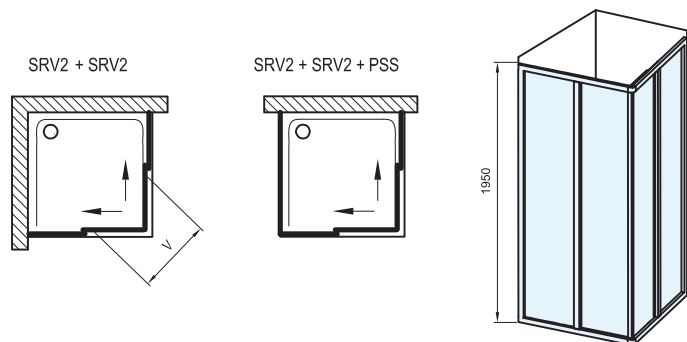
## Non-standard panel material



Height  
1950 mm

Order No.	Type	Frame	Panel	Product dimensions (mm)	„V“ entrance (mm)	Size of packaging (cm)	Gross weight (kg)
14V301O211	SRV2 75	white	pearl	720-740	396	70x6x199	9,4
14V301O2Z1	SRV2 75	white	transparent	720-740	396	70x6x199	16,4
14V301O2ZG	SRV2 75	white	grape	720-740	396	70x6x199	15,9
14V303O211	SRV2 75	black	pearl	720-740	396	70x6x199	9,4
14V303O2Z1	SRV2 75	black	transparent	720-740	396	70x6x199	16,4
14V303O2ZG	SRV2 75	black	grape	720-740	396	70x6x199	15,9
14V30UO211	SRV2 75	satin	pearl	720-740	396	70x6x199	9,4
14V30UO2Z1	SRV2 75	satin	transparent	720-740	396	70x6x199	16,4
14V30UO2ZG	SRV2 75	satin	grape	720-740	396	70x6x199	15,9
14V401O211	SRV2 80	white	pearl	770-790	431	74x6x199	9,8
14V401O2Z1	SRV2 80	white	transparent	770-790	431	74x6x199	16,7
14V401O2ZG	SRV2 80	white	grape	770-790	431	74x6x199	16,7
14V403O211	SRV2 80	black	pearl	770-790	431	74x6x199	9,8
14V403O2Z1	SRV2 80	black	transparent	770-790	431	74x6x199	16,7
14V403O2ZG	SRV2 80	black	grape	770-790	431	74x6x199	16,7
14V40UO211	SRV2 80	satin	pearl	770-790	431	74x6x199	9,8
14V40UO2Z1	SRV2 80	satin	transparent	770-790	431	74x6x199	16,7
14V40UO2ZG	SRV2 80	satin	grape	770-790	431	74x6x199	16,7
14V701O211	SRV2 90	white	pearl	870-890	504	87x6x199	10,3
14V701O2Z1	SRV2 90	white	transparent	870-890	504	84x6x199	18,2
14V701O2ZG	SRV2 90	white	grape	870-890	504	84x6x199	18,2
14V703O211	SRV2 90	black	pearl	870-890	504	87x6x199	10,3
14V703O2Z1	SRV2 90	black	transparent	870-890	504	84x6x199	18,2
14V703O2ZG	SRV2 90	black	grape	870-890	504	84x6x199	18,2
14V70UO211	SRV2 90	satin	pearl	870-890	504	84x6x199	10,3
14V70UO2Z1	SRV2 90	satin	transparent	870-890	504	84x6x199	18,2
14V70UO2ZG	SRV2 90	satin	grape	870-890	504	84x6x199	18,2
14VA01O211	SRV2 100	white	pearl	970-990	530	94x6x199	11,0
14VA01O2Z1	SRV2 100	white	transparent	970-990	530	94x6x199	19,9
14VA01O2ZG	SRV2 100	white	grape	970-990	530	94x6x199	19,9
14VA03O211	SRV2 100	black	pearl	970-990	530	94x6x199	11,0
14VA03O2Z1	SRV2 100	black	transparent	970-990	530	94x6x199	19,9
14VA03O2ZG	SRV2 100	black	grape	970-990	530	94x6x199	19,9
14VA0UO211	SRV2 100	satin	pearl	970-990	530	94x6x199	11,0
14VA0UO2Z1	SRV2 100	satin	transparent	970-990	530	94x6x199	19,9
14VA0UO2ZG	SRV2 100	satin	grape	970-990	530	94x6x199	19,9

o Delivery time is 6 weeks.  
Delivery time for designs in black is up to 5 weeks. Other products have a delivery time of 14 days.



# SRV2-S + SRV2-S Corner shower enclosure



Antiblock – flawless and smooth door movement with 10-year warranty



Maximum watertightness – water stays inside the enclosure



Can be adjusted to accommodate uneven surfaces by +/- 10 mm

## Absolute reliability

Thanks to their thick-walled aluminium structure, high-quality surface finish and AntiBlock system, Supernova shower enclosures are the most reliable enclosures on the market.

### Don't miss it

- 1.** Recommended drains and shower channels: Chrome, 10°, and Runway stainless steel shower channels. Zebra plastic shower channel with stainless steel grid. SN501 plastic point drain with stainless steel grid.
- 2.** Recommended shower trays: Aneta, Angela, Perseus Pro Flat, Perseus Pro Chrome, Gigant, Gigant Pro, Gigant Pro Flat, Gigant Pro Chrome.
- 3.** Very easy to install – products are delivered assembled.
- 4.** Option to use 2 cm extension profiles for quick adaptation to non-standard bathroom dimensions. It is possible to use a maximum of 2 profiles on each side.

Shower trays → 266

Shower channels → 298

Seats → 258

Taps → 538

Accessories → 650



# Supernova SRV2-S + SRV2-S

## Finish



## Standard panel material



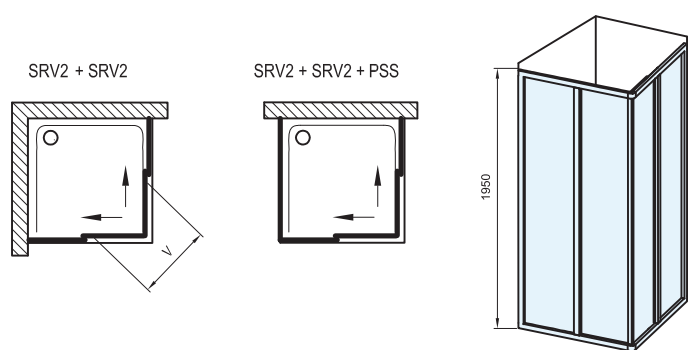
## Non-standard panel material



Height  
1950 mm

## Extension and connecting profiles

Order No.	Type	Frame	Product dimensions (mm)	Size of packaging (cm)	Gross weight (kg)
<b>E778801195021</b>	NPS Extension profile	white	23x26x1950	2x3x195	0,4
<b>E7788013195021</b>	NPS Extension profile 195	black	23x26x1950	2x3x195	0,4
<b>E778801U195021</b>	NPS Extension profile	satın	23x26x1950	2x3x195	0,4
<b>E119500021</b>	Connecting profile T	white	68x60x1950	7x7x199	1,9
<b>E11950002U</b>	Connecting profile T 195	satın	68x60x1950	7x7x199	1,9



# ASRV3 + ASRV3 Corner shower enclosure



Antiblock – flawless and smooth door movement with 10-year warranty



Maximum watertightness – water stays inside the enclosure



Can be adjusted to accommodate uneven surfaces by +/- 10 mm

## Absolute reliability

Thanks to their thick-walled aluminium structure, high-quality surface finish and AntiBlock system, Supernova shower enclosures are the most reliable enclosures on the market.

### Don't miss it

1. Recommended drains and shower channels: Chrome, 10°, and Runway stainless steel shower channels. Zebra plastic shower channel with stainless steel grid. SN501 plastic point drain with stainless steel grid.
2. Recommended shower trays: Aneta, Angela, Perseus Pro, Perseus Pro Flat, Perseus Pro Chrome.
3. Very easy to install – products are delivered assembled.
4. Option to use 2 cm extension profiles for quick adaptation to non-standard bathroom dimensions. It is possible to use a maximum of 2 profiles on each side.
5. To complete a shower enclosure, at least two ASRV products must always be ordered. Can be combined only with an APSS fixed panel.

Shower trays → 266

Shower channels → 298

Seats → 258

Taps → 538

Accessories → 650



# Supernova ASRV3 + ASRV3

## Finish



## Standard panel material



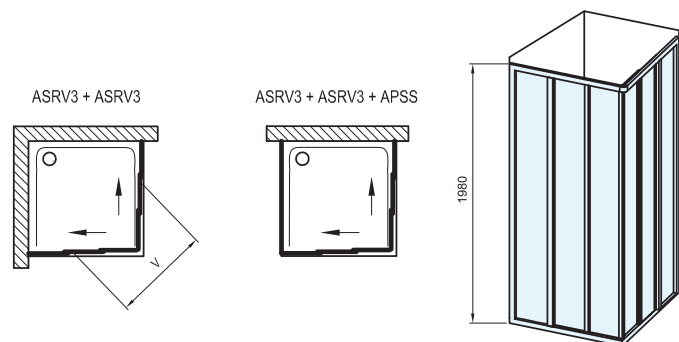
## Non-standard panel material



Height  
1980 mm

Order No.	Type	Frame	Panel	Product dimensions (mm)	Product dimensions in mm - installation with APSS	„V“ entrance (mm)	Size of packaging (cm)	Gross weight (kg)
15V301R211	ASRV3 75	white	pearl	720-740	720-735	495	72x6x199	11,0
15V301R2Z1	○ ASRV3 75	white	transparent	720-740	720-735	495	72x6x199	17,3
15V301R2ZG	○ ASRV3 75	white	grape	720-740	720-735	495	72x6x199	17,3
15V303R211	ASRV3 75	black	pearl	720-740	720-735	495	72x6x199	11,0
15V303R2Z1	ASRV3 75	black	transparent	720-740	720-735	495	72x6x199	17,3
15V303R2ZG	ASRV3 75	black	grape	720-740	720-735	495	72x6x199	17,3
15V30UR211	ASRV3 75	satın	pearl	720-740	720-735	495	72x6x199	11,0
15V30UR2Z1	○ ASRV3 75	satın	transparent	720-740	720-735	495	72x6x199	17,3
15V30UR2ZG	○ ASRV3 75	satın	grape	720-740	720-735	495	72x6x199	17,3
15V401R211	ASRV3 80	white	pearl	770-790	770-785	543	74x6x199	11,2
15V401R2Z1	○ ASRV3 80	white	transparent	770-790	770-785	543	74x6x199	18,4
15V401R2ZG	○ ASRV3 80	white	grape	770-790	770-785	543	74x6x199	18,0
15V403R211	ASRV3 80	black	pearl	770-790	770-785	543	74x6x199	11,2
15V403R2Z1	ASRV3 80	black	transparent	770-790	770-785	543	74x6x199	18,4
15V403R2ZG	ASRV3 80	black	grape	770-790	770-785	543	74x6x199	18,0
15V40UR211	ASRV3 80	satın	pearl	770-790	770-785	543	74x6x199	11,2
15V40UR2Z1	○ ASRV3 80	satın	transparent	770-790	770-785	543	74x6x199	18,4
15V40UR2ZG	○ ASRV3 80	satın	grape	770-790	770-785	543	74x6x199	18,0
15V701R211	ASRV3 90	white	pearl	870-890	870-885	635	84x6x199	12,9
15V701R2Z1	○ ASRV3 90	white	transparent	870-890	870-885	635	84x6x199	20,0
15V701R2ZG	○ ASRV3 90	white	grape	870-890	870-885	635	84x6x199	19,1
15V703R211	ASRV3 90	black	pearl	870-890	870-885	635	84x6x199	12,9
15V703R2Z1	ASRV3 90	black	transparent	870-890	870-885	635	84x6x199	20,0
15V703R2ZG	ASRV3 90	black	grape	870-890	870-885	635	84x6x199	19,1
15V70UR211	ASRV3 90	satın	pearl	870-890	870-885	635	84x6x199	12,9
15V70UR2Z1	○ ASRV3 90	satın	transparent	870-890	870-885	635	84x6x199	20,0
15V70UR2ZG	○ ASRV3 90	satın	grape	870-890	870-885	635	84x6x199	19,1

○ Delivery time is 6 weeks. Delivery time for designs in black is 5 weeks. Other products have a delivery time of 14 days. You can also assemble an ASRV3 + ASRV3 shower enclosure by using an APSS fixed panel to create a U shape.



# ASRV3 + ASRV3 Corner shower enclosure



Antiblock – flawless and smooth door movement with 10-year warranty



Maximum watertightness – water stays inside the enclosure



Can be adjusted to accommodate uneven surfaces by +/- 10 mm

## Absolute reliability

Thanks to their thick-walled aluminium structure, high-quality surface finish and AntiBlock system, Supernova shower enclosures are the most reliable enclosures on the market.

### Don't miss it

1. Recommended drains and shower channels: Chrome, 10°, and Runway stainless steel shower channels. Zebra plastic shower channel with stainless steel grid. SN501 plastic point drain with stainless steel grid.
2. Recommended shower trays: Aneta, Angela, Perseus Pro, Perseus Pro Flat, Perseus Pro Chrome.
3. Very easy to install – products are delivered assembled.
4. Option to use 2 cm extension profiles for quick adaptation to non-standard bathroom dimensions. It is possible to use a maximum of 2 profiles on each side.
5. To complete a shower enclosure, at least two ASRV products must always be ordered. Can be combined only with an APSS fixed panel.

Shower trays → 266

Shower channels → 298

Seats → 258

Taps → 538

Accessories → 650



# Supernova ASRV3 + ASRV3

## Finish



## Standard panel material



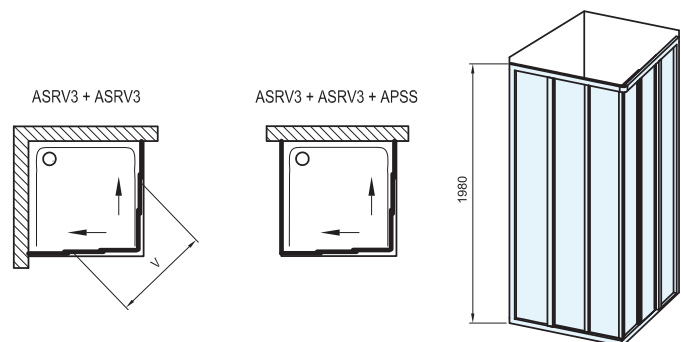
## Non-standard panel material



Height  
1980 mm

## Extension and connecting profiles

Order No.	Type	Frame	Product dimensions (mm)	Size of packaging (cm)	Gross weight (kg)
<b>E77880119802</b>	ANPS Extension profile	white	23x26x1980	2x3x198	0,4
<b>E778801319802</b>	ANPS Extension profile 198	black	23x26x1980	2x3x198	0,4
<b>E778801U19802</b>	ANPS Extension profile	satın	23x26x1980	2x3x198	0,4
<b>E119800021</b>	Connecting profile AT	white	68x60x1980	7x7x199	1,9
<b>E119800023</b>	Connecting profile AT 198	black	68x60x1980	7x7x199	1,9
<b>E11980002U</b>	Connecting profile AT	satın	68x60x1980	7x7x199	1,9



# ASDP3 Three-piece sliding shower door



Antiblock – flawless and smooth door movement with 10-year warranty



Maximum watertightness – water stays inside the enclosure



Can be adjusted to accommodate uneven surfaces by +/- 20 mm

### Absolute reliability

Thanks to their thick-walled aluminium structure, high-quality surface finish and AntiBlock system, Supernova shower enclosures are the most reliable enclosures on the market.

#### Don't miss it

- 1.** Recommended drains and shower channels: Chrome, 10°, and Runway stainless steel shower channels. Zebra plastic shower channel with stainless steel grid. SN501 plastic point drain with stainless steel grid.
- 2.** Recommended shower trays: Aneta, Angela, Perseus Pro, Perseus Pro Flat, Perseus Pro Chrome, Gigant, Gigant Pro, Gigant Pro Flat, Gigant Pro Chrome.
- 3.** Very easy to install – products are delivered assembled.
- 4.** Option to use 2 cm extension profiles for quick adaptation to non-standard bathroom dimensions. It is possible to use a maximum of 2 profiles on each side.
- 5.** Can be combined only with an APSS fixed panel.

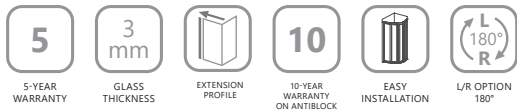
Shower trays → 266

Shower channels → 298

Seats → 258

Taps → 538

Accessories → 650



# Supernova ASDP3

Finish



Standard panel material



Non-standard panel material



Height  
1980 mm

Order No.	Type	Frame	Panel	Product dimensions (mm)	Product dimensions in mm - installation with APSS 80/90	Product dimensions in mm - installation with APSS 80/90+APSS 80/90	„V“ entrance (mm)	Size of packaging (cm)	Gross weight (kg)
00V401R211	ASDP3 80	white	pearl	770-810	770-805	770-800	395	77x6x199	13,1
00V401R2Z1	ASDP3 80	white	transparent	770-810	770-805	770-800	395	77x6x199	19,9
00V401R2ZG	ASDP3 80	white	grape	770-810	770-805	770-800	395	77x6x199	19,9
00V40UR211	ASDP3 80	satin	pearl	770-810	770-805	770-800	395	77x6x199	13,1
00V40UR2Z1	ASDP3 80	satin	transparent	770-810	770-805	770-800	395	77x6x199	19,9
00V40UR2ZG	ASDP3 80	satin	grape	770-810	770-805	770-800	395	77x6x199	19,9
00V403R211	ASDP3 80	black	pearl	770-810	770-805	770-800	395	77x6x199	13,1
00V403R2Z1	ASDP3 80	black	transparent	770-810	770-805	770-800	395	77x6x199	19,9
00V403R2ZG	ASDP3 80	black	grape	770-810	770-805	770-800	395	77x6x199	19,9
00V701R211	ASDP3 90	white	pearl	870-910	870-905	870-900	461	87x6x199	13,7
00V701R2Z1	ASDP3 90	white	transparent	870-910	870-905	870-900	461	87x6x199	21,4
00V701R2ZG	ASDP3 90	white	grape	870-910	870-905	870-900	461	87x6x199	21,4
00V70UR211	ASDP3 90	satin	pearl	870-910	870-905	870-900	461	87x6x199	13,7
00V70UR2Z1	ASDP3 90	satin	transparent	870-910	870-905	870-900	461	87x6x199	21,4
00V70UR2ZG	ASDP3 90	satin	grape	870-910	870-905	870-900	461	87x6x199	21,4
00V703R211	ASDP3 90	black	pearl	870-910	870-905	870-900	461	87x6x199	13,7
00V703R2Z1	ASDP3 90	black	transparent	870-910	870-905	870-900	461	87x6x199	21,4
00V703R2ZG	ASDP3 90	black	grape	870-910	870-905	870-900	461	87x6x199	21,4
00VA01R211	ASDP3 100	white	pearl	970-1010	970-1005	970-1000	528	97x6x199	14,3
00VA01R2Z1	ASDP3 100	white	transparent	970-1010	970-1005	970-1000	528	97x6x199	23,1
00VA01R2ZG	ASDP3 100	white	grape	970-1010	970-1005	970-1000	528	97x6x199	23,1
00VA0UR211	ASDP3 100	satin	pearl	970-1010	970-1005	970-1000	528	97x6x199	14,3
00VA0UR2Z1	ASDP3 100	satin	transparent	970-1010	970-1005	970-1000	528	97x6x199	23,1
00VA0UR2ZG	ASDP3 100	satin	grape	970-1010	970-1005	970-1000	528	97x6x199	23,1
00VA03R211	ASDP3 100	black	pearl	970-1010	970-1005	970-1000	528	97x6x199	14,3
00VA03R2Z1	ASDP3 100	black	transparent	970-1010	970-1005	970-1000	528	97x6x199	23,1
00VA03R2ZG	ASDP3 100	black	grape	970-1010	970-1005	970-1000	528	97x6x199	23,1
00VD01R211	ASDP3 110	white	pearl	1070-1110	1070-1105	1070-1100	595	107x6x199	15,0
00VD01R2Z1	o ASDP3 110	white	transparent	1070-1110	1070-1105	1070-1100	595	107x6x199	24,7
00VD01R2ZG	o ASDP3 110	white	grape	1070-1110	1070-1105	1070-1100	595	107x6x199	24,7
00VD0UR2Z1	o ASDP3 110	satin	transparent	1070-1110	1070-1105	1070-1100	595	107x6x199	24,7
00VD0UR211	ASDP3 110	satin	pearl	1070-1110	1070-1105	1070-1100	595	107x6x199	15,0
00VD0UR2ZG	o ASDP3 110	satin	grape	1070-1110	1070-1105	1070-1100	595	107x6x199	24,7
00VD03R211	ASDP3 110	black	pearl	1070-1110	1070-1105	1070-1100	595	107x6x199	15,0
00VD03R2Z1	ASDP3 110	black	transparent	1070-1110	1070-1105	1070-1100	595	107x6x199	24,7
00VD03R2ZG	ASDP3 110	black	grape	1070-1110	1070-1105	1070-1100	595	107x6x199	24,7
00VG01R211	ASDP3 120	white	pearl	1170-1210	1170-1205	1170-1200	661	117x6x199	15,5
00VG01R2Z1	o ASDP3 120	white	transparent	1170-1210	1170-1205	1170-1200	661	117x6x199	26,5
00VG01R2ZG	o ASDP3 120	white	grape	1170-1210	1170-1205	1170-1200	661	117x6x199	26,5
00VG0UR2Z1	o ASDP3 120	satin	transparent	1170-1210	1170-1205	1170-1200	661	117x6x199	26,5
00VG0UR211	ASDP3 120	satin	pearl	1170-1210	1170-1205	1170-1200	661	117x6x199	15,5
00VG0UR2ZG	o ASDP3 120	satin	grape	1170-1210	1170-1205	1170-1200	661	117x6x199	26,5
00VG03R211	ASDP3 120	black	pearl	1170-1210	1170-1205	1170-1200	661	117x6x199	15,5
00VG03R2Z1	ASDP3 120	black	transparent	1170-1210	1170-1205	1170-1200	661	117x6x199	26,5
00VG03R2ZG	ASDP3 120	black	grape	1170-1210	1170-1205	1170-1200	661	117x6x199	26,5
00VJ01R211	ASDP3 130	white	pearl	1270-1310	1270-1305	1270-1300	728	127x6x199	17,0
00VJ01R2Z1	o ASDP3 130	white	transparent	1270-1310	1270-1305	1270-1300	728	127x6x199	29,7
00VJ01R2ZG	o ASDP3 130	white	grape	1270-1310	1270-1305	1270-1300	728	127x6x199	29,7
00VJ0UR2Z1	o ASDP3 130	satin	transparent	1270-1310	1270-1305	1270-1300	728	127x6x199	26,5
00VJ0UR211	ASDP3 130	satin	pearl	1270-1310	1270-1305	1270-1300	728	127x6x199	17,1
00VJ0UR2ZG	o ASDP3 130	satin	grape	1270-1310	1270-1305	1270-1300	728	127x6x199	29,7
00VJ03R211	ASDP3 130	black	pearl	1270-1310	1270-1305	1270-1300	728	127x6x199	17,0
00VJ03R2Z1	ASDP3 130	black	transparent	1270-1310	1270-1305	1270-1300	728	127x6x199	29,7
00VJ03R2ZG	ASDP3 130	black	grape	1270-1310	1270-1305	1270-1300	728	127x6x199	29,7

o Delivery time is 6 weeks. Delivery time for designs in black is 5 weeks. Other products have a delivery time of 14 days. ASDP3 is to be combined with APSS. When combining, make sure your products have the same height!

# ASDP3 Three-piece sliding shower door



Antiblock – flawless and smooth door movement with 10-year warranty



Maximum watertightness – water stays inside the enclosure



Can be adjusted to accommodate uneven surfaces by +/- 20 mm

## Absolute reliability

Thanks to their thick-walled aluminium structure, high-quality surface finish and AntiBlock system, Supernova shower enclosures are the most reliable enclosures on the market.

### Don't miss it

- 1.** Recommended drains and shower channels: Chrome, 10°, and Runway stainless steel shower channels. Zebra plastic shower channel with stainless steel grid. SN501 plastic point drain with stainless steel grid.
- 2.** Recommended shower trays: Aneta, Angela, Perseus Pro, Perseus Pro Flat, Perseus Pro Chrome, Gigant, Gigant Pro, Gigant Pro Flat, Gigant Pro Chrome.
- 3.** Very easy to install – products are delivered assembled.
- 4.** Option to use 2 cm extension profiles for quick adaptation to non-standard bathroom dimensions. It is possible to use a maximum of 2 profiles on each side.
- 5.** Can be combined only with an APSS fixed panel.

Shower trays → 266

Shower channels → 298

Seats → 258

Taps → 538

Accessories → 650



# Supernova ASDP3

## Finish



## Standard panel material



## Non-standard panel material

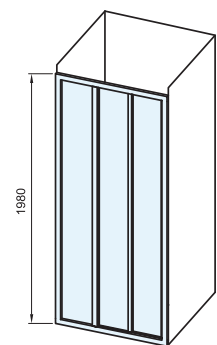
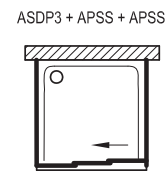
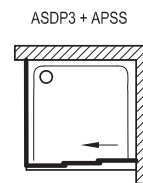
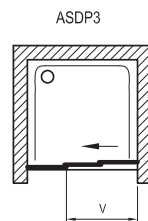


Height  
1980 mm

## Extension and connecting profiles

Order No.	Type	Frame	Product dimensions (mm)	Size of packaging (cm)	Gross weight (kg)
<b>E77880119802</b>	ANPS Extension profile	white	23x26x1980	2x3x198	0,4
<b>E778801319802</b>	ANPS Extension profile 198	black	23x26x1980	2x3x198	0,4
<b>E778801U19802</b>	ANPS Extension profile	satın	23x26x1980	2x3x198	0,4
<b>E119800021</b>	Connecting profile AT	white	68x60x1980	7x7x199	1,9
<b>E119800023</b>	Connecting profile AT 198	black	68x60x1980	7x7x199	1,9
<b>E11980002U</b>	Connecting profile AT	satın	68x60x1980	7x7x199	1,9

Delivery time for designs in black is 5 weeks. Other products have a delivery time of 14 days.



**APSS** Fixed panel



Option to choose the depth of the shower enclosure: 75-90 cm



Maximum watertightness – water stays inside the enclosure



Can be adjusted to accommodate uneven surfaces by +/- 10 mm

**Absolute reliability**

The space next to the fixed panel can serve as the perfect spot for your washing machine, washbasin, or toilet.

**Don't miss it**

1. The product is not designed for standalone use and must be installed alongside a shower door or shower enclosure.
2. Recommended shower trays: Aneta, Angela, Perseus Pro, Perseus Pro Flat, Perseus Pro Chrome, Gigant, Gigant Pro, Gigant Pro Flat, Gigant Pro Chrome.
3. Very easy to install – products are delivered assembled.
4. The package includes a corner connecting profile for attachment to a shower door. Wall mounting is carried out using the wall profile included with the shower door package.
5. Option to use 2 cm extension profiles for quick adaptation to non-standard bathroom dimensions. It is possible to use a maximum of 2 profiles on each side.

Shower trays → 266

Shower channels → 298

Seats → 258

Taps → 538

Accessories → 650



# Supernova APSS

## Finish



## Standard panel material



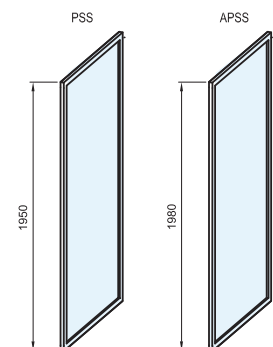
## Non-standard panel material



Height  
1980 mm

Order No.	Type	Frame	Panel	Product dimensions (mm)	Size of packaging (cm)	Gross weight (kg)
940301R211	APSS 75	white	pearl	720-755	72x6x199	8,3
940301R2Z1	APSS 75	white	transparent	720-755	72x6x199	14,7
940301R2ZG	APSS 75	white	grape	720-755	72x6x199	14,7
940303R211	APSS 75	black	pearl	720-755	72x6x199	8,3
940303R2Z1	APSS 75	black	transparent	720-755	72x6x199	14,7
940303R2ZG	APSS 75	black	grape	720-755	72x6x199	14,7
94030UR211	APSS 75	satin	pearl	720-755	72x6x199	8,3
94030UR2Z1	APSS 75	satin	transparent	720-755	72x6x199	14,7
94030UR2ZG	APSS 75	satin	grape	720-755	72x6x199	14,7
940401R211	APSS 80	white	pearl	770-805	76x6x199	8,6
940401R2Z1	o APSS 80	white	transparent	770-805	76x6x199	15,4
940401R2ZG	APSS 80	white	grape	770-805	76x6x199	15,4
940403R211	APSS 80	black	pearl	770-805	76x6x199	8,6
940403R2Z1	APSS 80	black	transparent	770-805	76x6x199	15,4
940403R2ZG	APSS 80	black	grape	770-805	76x6x199	15,4
94040UR211	APSS 80	satin	pearl	770-805	76x6x199	8,6
94040UR2Z1	o APSS 80	satin	transparent	770-805	76x6x199	15,4
94040UR2ZG	APSS 80	satin	grape	770-805	76x6x199	15,4
940701R211	APSS 90	white	pearl	870-905	87x6x199	9,0
940701R2Z1	APSS 90	white	transparent	870-905	87x6x199	17,9
940701R2ZG	o APSS 90	white	grape	870-905	87x6x199	17,9
940703R211	APSS 90	black	pearl	870-905	87x6x199	9,0
940703R2Z1	APSS 90	black	transparent	870-905	87x6x199	17,9
940703R2ZG	APSS 90	black	grape	870-905	87x6x199	17,9
94070UR211	APSS 90	satin	pearl	870-905	87x6x199	9,0
94070UR2Z1	APSS 90	satin	transparent	870-905	87x6x199	17,9
94070UR2ZG	o APSS 90	satin	grape	870-905	87x6x199	17,9

o Delivery time is 6 weeks. Delivery time for designs in black is 5 weeks. Other products have a delivery time of 14 days. APSS is to be combined with ASRV3 or ASDP3. When combining, make sure your products have the same height!

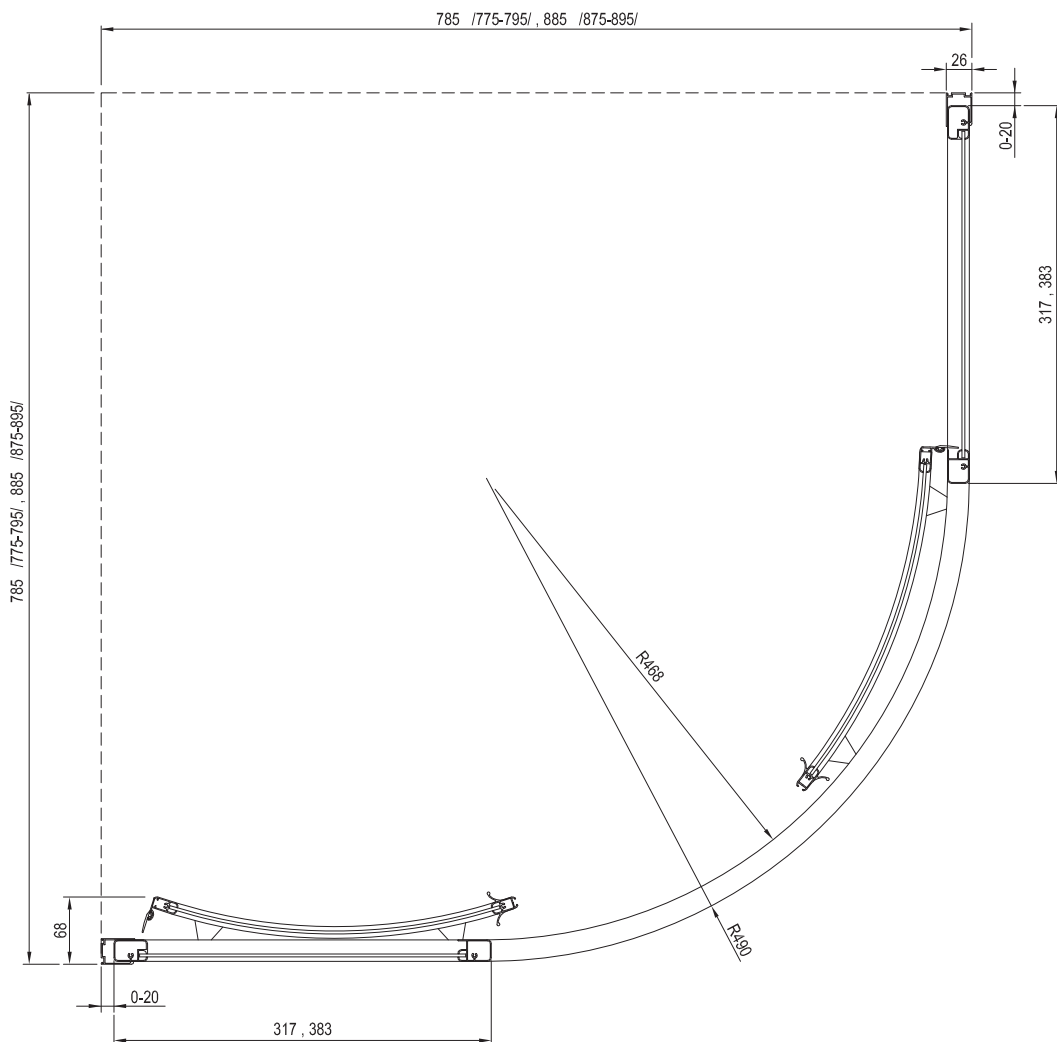


# SKCP4 Construction prerequisites

Type	Mounting onto a tray* Recommended shower tray size (mm)	Floor mounting** Recommended size of inclined area (mm)
SKCP4 - 80	800 x 800, R 500	In accordance with technical drawings
SKCP4 - 90	900 x 900, R 500	In accordance with technical drawings

\* The values listed in the table assume that the tray is installed in accordance with the RAVAK assembly manual.

\*\* The values in the table apply to the inside edge of the glass.

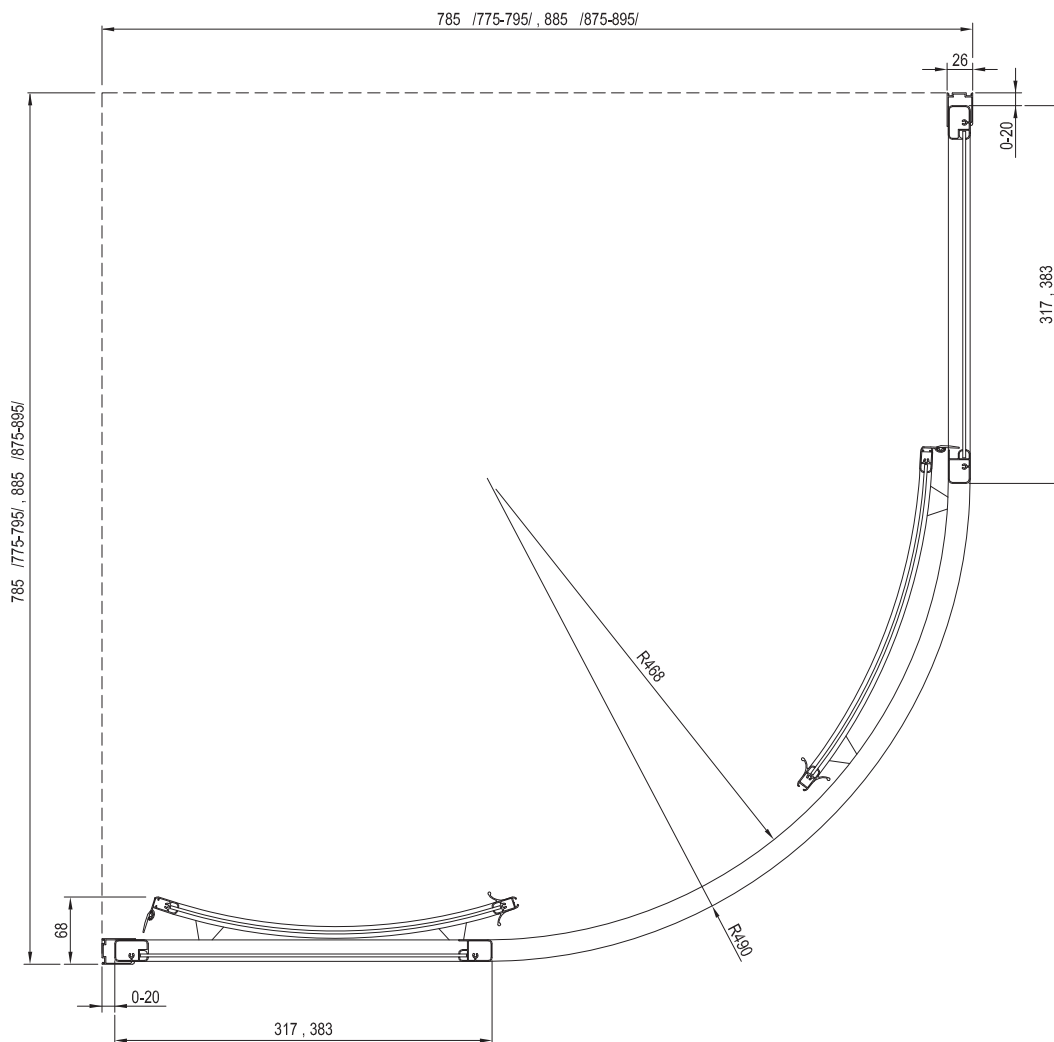


# SKCP4 Sabina Construction prerequisites

Type	Mounting onto a tray * Recommended shower tray size (mm)	Floor mounting ** Recommended size of inclined area (mm)
<b>SKCP4 - 80 Sabina</b>	800 x 800, Sabina R 500	In accordance with technical drawings
<b>SKCP4 - 90 Sabina</b>	900 x 900, Sabina R 500	In accordance with technical drawings

\* The values listed in the table assume that the tray is installed in accordance with the RAVAK assembly manual.

\*\* The values in the table apply to the inside edge of the glass.

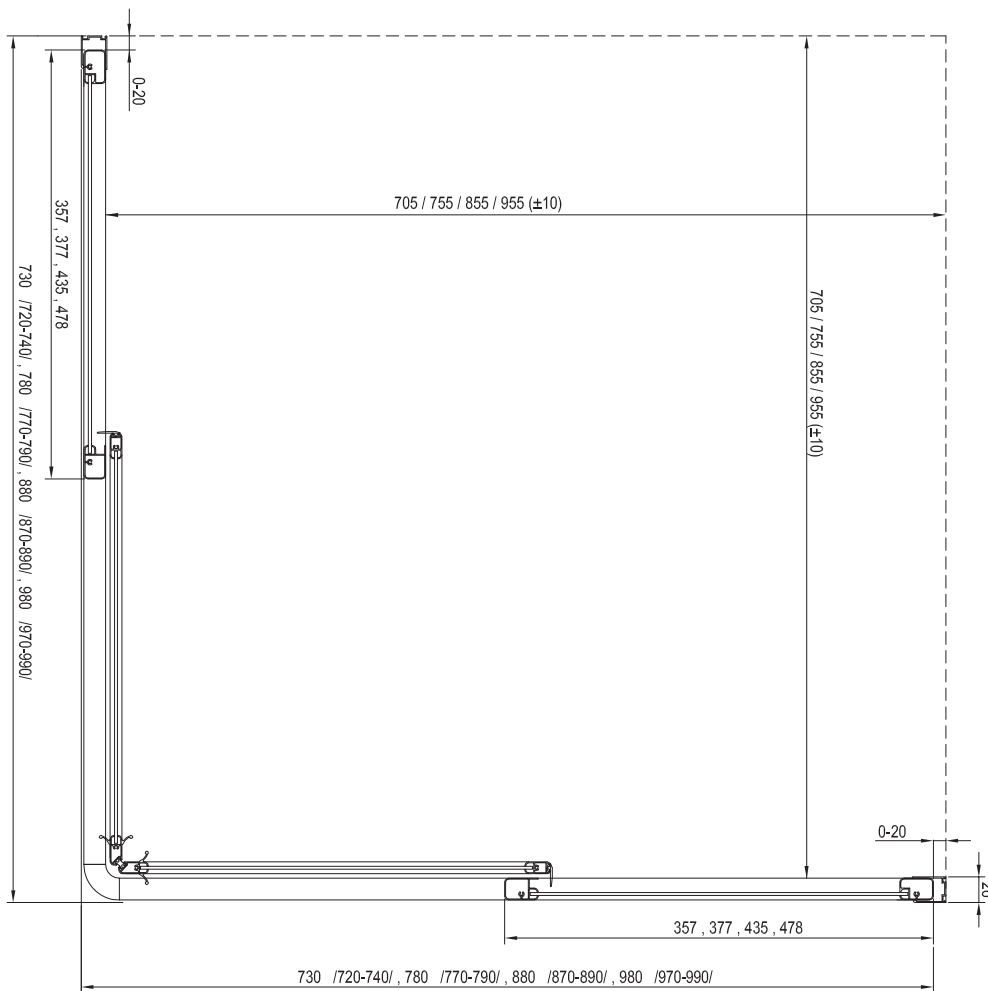


# SRV2-S + SRV2-S Construction prerequisites

Type	Mounting onto a tray* Recommended shower tray size (mm)	Floor mounting** Recommended size of inclined area (mm)
SRV2 - 75 + SRV2 - 90	750 x 900	705 x 855
SRV2 - 80 + SRV2 - 80	800 x 800	755 x 755
SRV2 - 90 + SRV2 - 90	900 x 900	855 x 855
SRV2 - 100 + SRV2 - 80	1000 x 800	955 x 755
SRV2 - 100 + SRV2 - 100	1000 x 1000	955 x 955
Other combinations	-	In accordance with technical drawings

\* The values listed in the table assume that the tray is installed in accordance with the RAVAK assembly manual.

\*\* The values in the table apply to the inside edge of the glass.

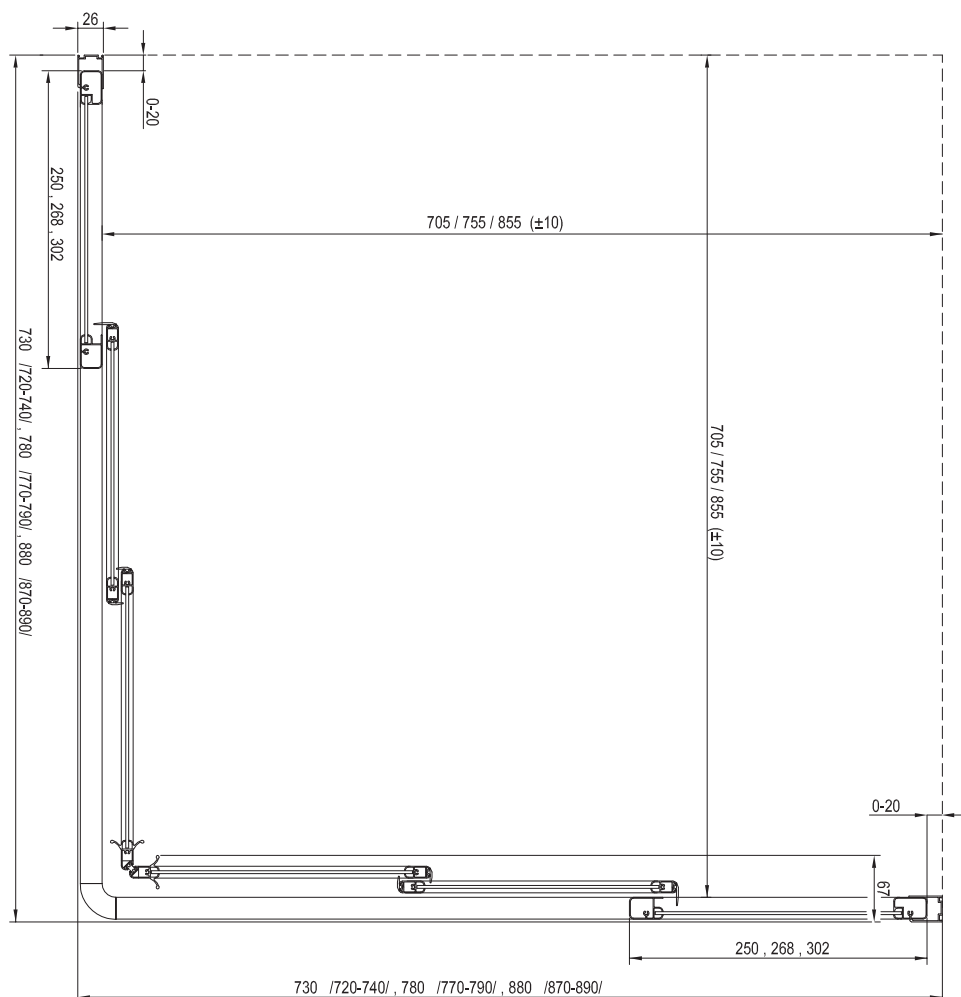


# ASRV3 + ASRV3 Construction prerequisites

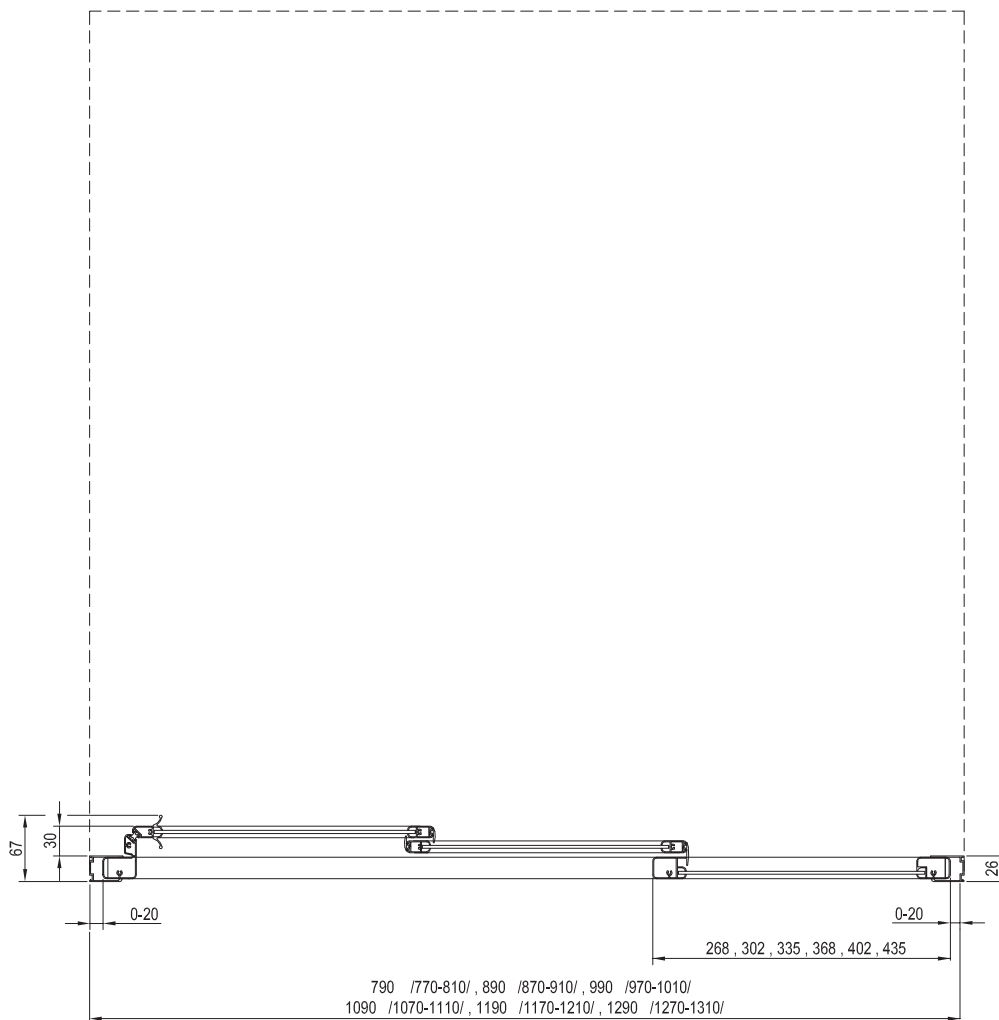
Type	Mounting onto a tray* Recommended shower tray size (mm)	Floor mounting** Recommended size of inclined area (mm)
ASRV3 - 75 + ASRV3 90	750 x 900	705 x 855
ASRV3 - 80 + ASRV3 80	800 x 800	755 x 755
ASRV3 - 90 + ASRV3 90	900 x 900	855 x 855
Other combinations	-	In accordance with technical drawings

\* The values listed in the table assume that the tray is installed in accordance with the RAVAK assembly manual.

\*\* The values in the table apply to the inside edge of the glass.



# ASDP3 Construction prerequisites

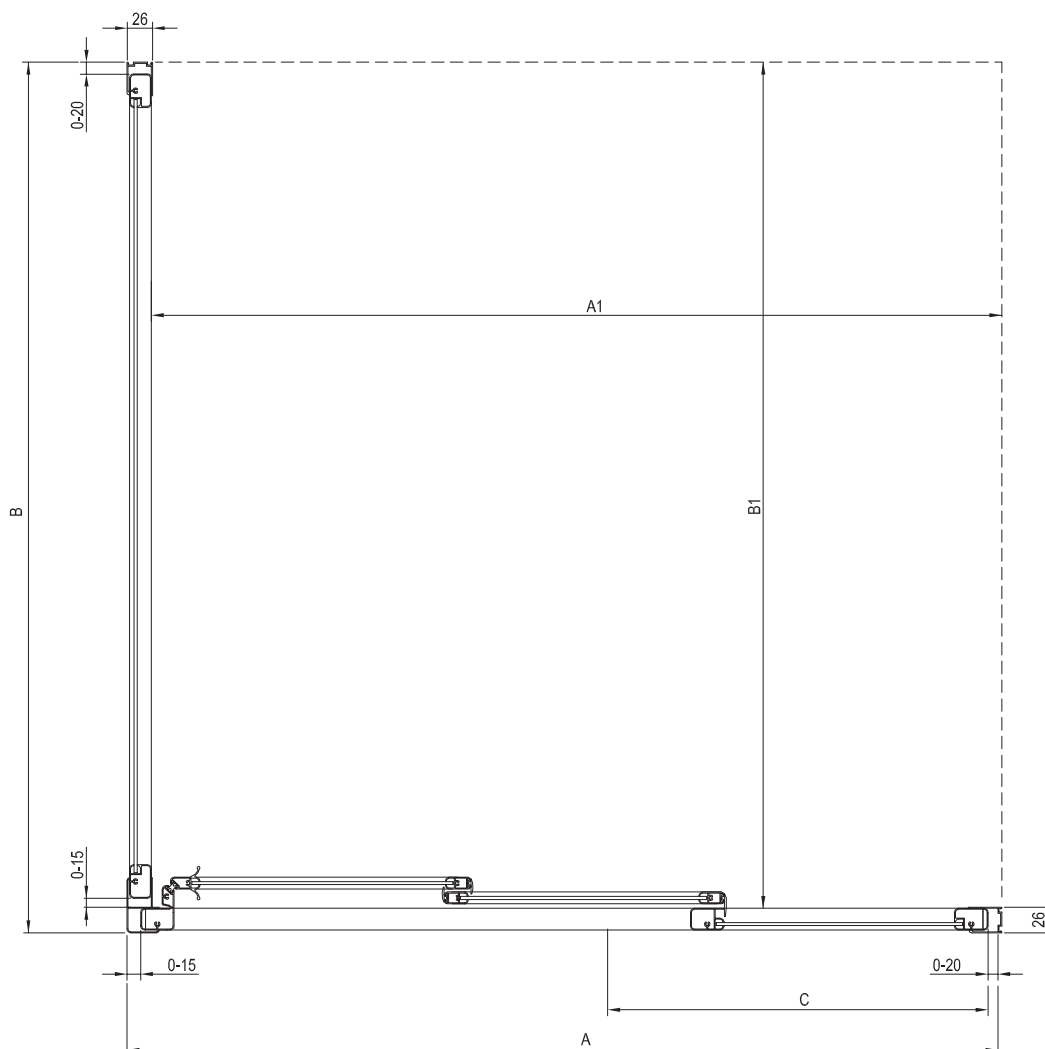


# ASDP3 + APSS Construction prerequisites

Type	Mounting onto a tray* Recommended shower tray size (mm)	Floor mounting** Recommended size of inclined area (mm)
ASDP3 - 90 + APSS - 75	900 x 750	860 x 710
ASDP3 - 80 + APSS - 80	800 x 800	760 x 760
ASDP3 - 90 + APSS - 90	900 x 900	860 x 860
ASDP3 - 100 + APSS - 80	1000 x 800	960 x 760
ASDP3 - 100 + APSS - 90	1000 x 900	960 x 860

\* The values listed in the table assume that the tray is installed in accordance with the RAVAK assembly manual.

\*\* The values in the table apply to the inside edge of the glass.







## Wall, extension and connecting profiles

Order No.	Type	Frame	Product dimensions (mm)	Size of packaging (cm)	Gross weight (kg)
<b>E778801195021</b>	NPS Extension profile	white	23x26x1950	2x3x195	0,4
<b>E7788013195021</b>	NPS Extension profile 195	black	23x26x1950	2x3x195	0,4
<b>E778801U195021</b>	NPS Extension profile	satın	23x26x1950	2x3x195	0,4
<b>E119500021</b>	Connecting profile T	white	68x60x1950	7x7x199	1,9
<b>E11950002U</b>	Connecting profile T 195	satın	68x60x1950	7x7x199	1,9
<b>E77880119802</b>	ANPS Extension profile	white	23x26x1980	2x3x198	0,4
<b>E778801319802</b>	ANPS Extension profile 198	black	23x26x1980	2x3x198	0,4
<b>E778801U19802</b>	ANPS Extension profile	satın	23x26x1980	2x3x198	0,4
<b>E119800021</b>	Connecting profile AT	white	68x60x1980	7x7x199	1,9
<b>E119800023</b>	Connecting profile AT 198	black	68x60x1980	7x7x199	1,9
<b>E11980002U</b>	Connecting profile AT	satın	68x60x1980	7x7x199	1,9

### Wall profiles and extension profiles




EXTENSION PROFILE




The shower enclosure can be adjusted by 10 mm on each side within the wall profile.

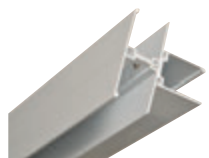
Shower enclosure  
/Graphical example of use with Supernova shower enclosure/



**Extension profiles**  
Allow you to adjust (widen) the shower enclosure or door by 2 cm each time. Maximum 2 profiles per side.  
**Extension profiles are available for the following shower enclosure and door ranges: Nexty, Pivot, Blix and Supernova.**



**Wall profile**  
Used to fix the shower enclosure or door to the wall.  
**Not sold separately, but included with any product it is required for.**



**T/AT profile**  
Used for connecting multiple shower enclosures or doors divided by fixed panels into a row. Suitable for public showers.

# ravak® Custom solution configurator

**Build a product according to your needs - online, from the comfort of your home.**

The configurator allows for the creation of atypical designs for shower enclosures, shower doors, fixed panels or bath screens/doors.

Pick a model and select your frame colour or hinge type, glass or plastic panel decor, as well as width, depth and height of the product.

1. RANGE AND TYPE

2. FRAME COLOUR

3. PANEL DECOR

4. DIMENSIONS



**You can submit your configured product as an order, or visit your nearest retailer to discuss and place your order.**

**More about atypical products at <https://atypical.ravak.com>**

Panel decors for the configurator can be found on p. 12.

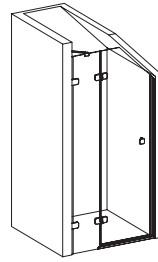


## ravak® Atypical products

Need something special?  
We can handle slanted ceilings, recesses or non-standard arches



Contact us at [export@ravak.com](mailto:export@ravak.com)  
or by phone at **318 427 198**.



Atypical shower door in an attic  
bathroom (slanted wall)



# Overview of specific options for atypical solutions

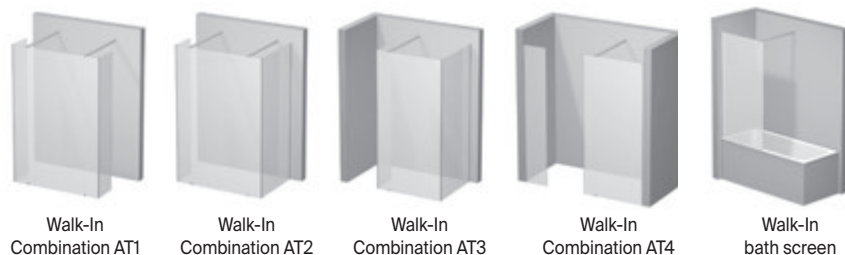
Product	Model	Min. height	Max. height	Min. width	Max. width	Min. depth	Max. depth	Angled ceilings and wall openings
<b>BRILLIANT - also allows for a barrier-free entry solution</b>								
Shower enclosures	BSRV4	1000	2200	700	1400	700	1400	yes
	BSDPS	1000	2200	700	1400	200	1200	yes
Doors	BSD2	1000	2200	740	1450			yes
	BSD3	1000	2200	800	2350			
Bath screens	BVS2	1000	2200	450	1450			yes
	BVS1			100	1200			yes
<b>WALK-IN - only allows for a barrier-free entry solution</b>								
Shower enclosures	WALK-IN CORNER	1000	2500	800	1600			yes
	WALK-IN FREE	1000	2500	800	1600			yes
Fixed panels	WALK-IN WALL	1000	2500	800	1600			yes
Combinations	WALK-IN COMBINATION	1000	2500	800	1600			yes
<b>SMARTLINE - also allows for a barrier-free entry solution</b>								
Shower enclosures	SMSKK4	x	only 1900	785	1200	785	1200	yes - only the fixed section
	SMSRV4	1000	2200	785	1200	785	1200	yes
Doors	SMSD2	1000	2200	890	1200			yes
Fixed panels	SMPS	1000	2200	200	1200			yes
<b>MATRIX - also allows for a barrier-free entry solution</b>								
Shower enclosures	MSRV4	1000	2050	650	1400	650	1400	no
	MSDPS	1000	2050	800	1600	200	1200	yes - only fixed side panel
Doors	MSD2	1000	2050	800	1600			no
<b>CHROME</b>								
Shower enclosures	CRV1	1000	2050	400	900			no
	CRV2	1000	2050	700	1600			no
	CRV1+CPS	1000	2050	700	900	200	1200	no
	CRV2+CPS	1000	2050	700	1600	200	1200	no
Doors	CSD1	1000	2050	700	905			no
	CSD2	1000	2050	700	1600			no
<b>Nexty</b>								
Shower enclosures	NSKK3	x	x	670	1000 - bright alu 1400 - other colours	770	1000 - bright alu 1400 - other colours	no
	NDOP1 + NPS	1000	2050	482	1000	200	1300	NDOP1 - no, NPS - yes
	NDOP2 + NPS			900	1600			NDOP2 - no, NPS - yes
Doors	NDOP1	1000	2050	482	1000			no
	NDOP2			900	1600			no
Fixed panels	NPS	1000	2050	200	1300			yes
Bath screens	NVS1	1000	2050	100	1300			yes
<b>PIVOT</b>								
Shower enclosures	PSKK3	x	x	670	1000 - bright alu 1400 - other colours	770	1000 - bright alu 1400 - other colours	no
	PDOP1 + PPS	1000	2050	482	1000	200	1300	PDOP1 - no, PPS - yes
	PDOP2 + PPS			900	1600			PDOP2 - no, PPS - yes
Doors	PDOP1	1000	2050	482	1000			no
	PDOP2			900	1600			no
Fixed panels	PPS	1000	2050	200	1300			yes
Bath screens	PVS1	1000	2050	100	1300			yes
<b>BLIX</b>								
Shower enclosures	BLCP4	x	x	x	x	x	x	no
	BLRV2K	1000	2050	630	1500	630	1500	no
	BLDP2 + BLPS			800	1600	165	1200	BLDP2 - no, BLPS - yes
Doors	BLDP2	1000	2050	800	1600			no
	BLDP4	1000	2050	1200	2050			
Fixed panels	BLPS	1000	2050	165	1200			yes
<b>SUPERNOVA - also allows for a barrier-free entry solution</b>								
Shower enclosures	SKKP6	1000	2050			750		no
	SKCP4		only 1850 (glass)		1400		1400	no
	SRV2			640		640		yes - only the fixed section
	ASRV3			500	1300	500	1300	yes - only the fixed section
	ASDP3 + APSS	1000	2050	648	2080	165	1050 (APSS plastic) 1300 (APSS glass) 2100 (APSS divided)	ASDP3 - yes - only the fixed section APSS - yes
Doors	ASDP3	1000	2050	648	2080			yes - only the fixed section
Fixed panels	APSS							yes
	PSS	1000	2050	165	1050 (plastic) 1300 (glass)			yes
	DSS							yes
Bath screens	VS2			265	1045			yes - one part only
	VS3	1000	1500	370				yes - one part only
	VS5			800	1500			yes - one part only
	VSK2		only 1500 (glass)	x	x			yes - one part only
	VDKP4			x	x			yes - only the fixed section

Note: When combining a door with a fixed panel, the min./max. width applies to the shower door and the min./max. depth applies to the fixed panel! Attention: The adjustability of atypical products is not the same as that of standard catalogue products. Exact adjustability is specified in the card of the atypical product.



The atypical Walk-In Free shower enclosure was custom-made for a unique bathroom in a hotel resort. Height 250 cm, width 160 cm. Available for order via our online custom solution configurator at <https://atypical.ravak.com>

**Examples of atypical solutions from the Walk-In range**



Walk-In Combination AT1

Walk-In Combination AT2

Walk-In Combination AT3






Walk-In Combination AT4

Walk-In bath screen





**Possible uses:** You can order structural variants of Walk-In Wall, Corner and Free products through our online Custom Solution Configurator (<https://atypical.ravak.com>), or during an in-person consultation, where you pick out the design of choice (type, width, height). Other structural variants of Walk-In Combination products can only be ordered by e-mail at [export@ravak.com](mailto:export@ravak.com) or during an in-person meeting. For more information, go to [www.ravak.com](http://www.ravak.com)

# ravak® Spare parts



## Sets of spare parts - Brilliant

Model	Name	Order No.	Amount per package
<b>Vertical seals</b>			
BSRV4, BSDPS, BSD2	 Brilliant vertical seals wall/glass 8	D000000032	2
BSRV4, BSDPS, BSD2	 Brilliant set of seals for glass/glass 8	D000000034	2
<b>Magnets</b>			
BSRV4, BSDPS	 90° angled magnet set	D000000028	pair
BSD2	 180° angled magnet set	D000000027	pair
<b>Drip rails</b>			
BSRV4, BSDPS, BSD2	 Brilliant straight drip rail 900 mm	D000000023	1







## Sets of spare parts - SmartLine

Model	Name	Order No.	Amount per package
<b>Vertical seals</b>			
SMSRV4, SMSD2+SMPS, SMSD2	 SmartLine set of seals for glass/glass 6	D000000035	2
<b>Magnets</b>			
SMSD2	 180° angled magnet set	D000000027	2
SMSRV4, SMSD2+SMPS	 90° angled magnet set	D000000028	2
SMSKK4	 180° straight magnet set	D000000029	2

## Sets of spare parts - SmartLine



Model	Name	Order No.	Amount per package
<b>Drip rails</b>			
<b>SMSRV4, SMSD2</b>	 SmartLine straight drip rail 900 mm	D000000023	1
<b>SMSKK4</b>	 SmartLine quadrant drip rail KK4	D000000026	2

## Sets of spare parts - Matrix



Model	Name	Order No.	Amount per package
<b>Vertical seals</b>			
<b>MSRV4, MSDPS, MSD2</b>	 Matrix set of seals for glass/glass 8/6	D000000036	2
<b>Magnets</b>			
<b>MSRV4</b>	 90° angled magnet set	D000000028	pair
<b>MSD2</b>	 180° straight magnet set	D000000029	pair
<b>MSDPS</b>	 90° straight magnet set	D000000030	pair
<b>Drip rails</b>			
<b>MSRV4, MSDPS, MSD2</b>	 Matrix straight drip rail 900 mm	D000000022	1
<b>Rollers</b>			
<b>MSRV4, MSDPS, MSD2</b>	 Matrix set of top rollers	D000000043	2

# ravak® Spare parts


## Sets of spare parts - 10°

Model	Name	Order No.	Amount per package
<b>Rollers</b>			
10AP4	 Blix, 10° set of top rollers	D000000040	2
10AP4	 Blix, 10° set of bottom rollers	D000000041	2










## Sets of spare parts - Chrome

Model	Name	Order No.	Amount per package
<b>Drip rails</b>			
CRV1, CRV2, CSD1, CSD2, CSDL2	 Pivot, Chrome, Nexty drip rail, straight 90	D000000020	1
CSKK4	 Chrome KK4 drip rail, quadrant	D000000025	1

## Sets of spare parts - Pivot, Nexty









Model	Name	Order No.	Amount per package
<b>Vertical seals</b>			
PSKK3, PDOP1, PDOP2 NSKK3, NDOP1, NDOP2	 Pivot, Nexty vertical seals glass/ glass 6	D000000037	2
<b>Magnets</b>			
PSKK3, PDOP1, PDOP2 NSKK3, NDOP1, NDOP2	 Pivot, Nexty set of magnets 180°, angled	D000000031	pair
<b>Drip rails</b>			
PDOP1, PDOP2 NDOP1, NDOP2	 Pivot, Chrome, Nexty drip rail, straight 90	D000000020	1
PSKK3 NSKK3	 Pivot, Nexty KK3 drip rail, quadrant	D000000024	1

## Sets of spare parts - Blix

Model		Name	Order No.	Amount per package
<b>Vertical seals</b>				
<b>BLRV2, BLRV2K, BLDP2, BLDP4</b>		Blix D, RV set of seals for glass/glass 6	D000000038	2
<b>BLCP4</b>		Blix CP set of seals for glass/glass 6	D000000039	2
<b>BLCP4 Sabina</b>		Blix CP Sabina set of seals for glass/glass 6	D000000044	2
<b>Magnets</b>				
<b>BLCP4, BLDP2</b>		180° angled magnet set	D000000027	pair
<b>BLRV2, BLRV2K</b>		90° angled magnet set	D000000028	pair
<b>BLDP4</b>		180° straight magnet set	D000000029	pair
<b>Rollers</b>				
<b>BLCP4, BLCP4 Sabina, BLRV2, BLRV2K, BLDP2, BLDP4</b>		Blix, 10° set of top rollers	D000000040	2
<b>BLRV2, BLRV2K, BLDP2</b>		Blix, 10° set of bottom rollers	D000000041	2
<b>Bottom hooks</b>				
<b>BLCP4, BLCP4 Sabina, BLDP4</b>		Blix set of bottom hooks	D000000042	2



## Sets of spare parts - Supernova

Model		Name	Order No.	Amount per package	
-		AntiBlock insert	X86800000000	1,5 bm	quote on request
SKCP4		white slider	X87000000001	1	quote on request
		satin slider L	X8700000000L	1	quote on request
SKKP2 SKKP4 SKKP6 SRV2		white slider L	X869A0000001	1	quote on request
		white slider	X869B0000001	1	quote on request
		satin slider L	X869A000000L	1	quote on request
		satin slider L	X869B000000L	1	quote on request
SRV2		white corner joint	X80400000001	1	quote on request
		satin corner joint	X8040000000L	1	quote on request
Bath screens VS5, VSK2		complete hinge	X811A0000000	1	quote on request
			X811B0000000	1	quote on request
SKKP2		polystyrene pearl panel	X4L125H98693	1	quote on request
		polystyrene rain panel	X4D125H98693	1	quote on request
SKKP2 Sabina		polystyrene pearl panel	X4L125G48693	1	quote on request
Bath screen VSK2		bottom seal for fixed panel	X81400000000	1	quote on request
		bottom seal for rotary panel	X85100000001	bm	quote on request

# Seats



**10** EXTENDED 10-YEAR WARRANTY

**150 kg** HIGH LOAD CAPACITY



**Comfort**

Comfortable washing or shaving of the legs, whether sitting or standing with one leg on the seat



**Foldable**

The seats can be folded up against the wall – when folded, they take up almost no space (only 9.5 cm)



**Wide variety**

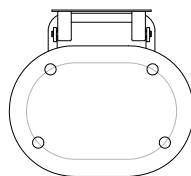
Several colour options across three product ranges

**Relaxation**

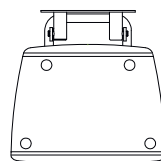
Perfect relaxation while showering seated

**Durable**

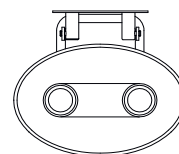
Stainless frame stands the test of time both indoors and outdoors



Chrome > 260



Ovo B II > 262



Ovo P II > 264

# Chrome



Part of the Chrome concept

## Natural oval shape

Practical, elegant and aesthetically matching with Chrome shower enclosures.

### Don't miss it

- 1.** Stainless steel structure made of rounded profiles and a plastic, shaped seat.
- 2.** We recommend installation into solid construction materials such as brick or aerated concrete, with a wall thickness of at least 100 mm plus tiling.
- 3.** Mount using anchoring elements suitable for the wall material.
- 4.** When installing into plasterboard, the wall must be reinforced to provide the necessary load-bearing capacity, for example using a wooden or metal frame.

**10**

10-YEAR WARRANTY

kg **150**

LOAD CAPACITY

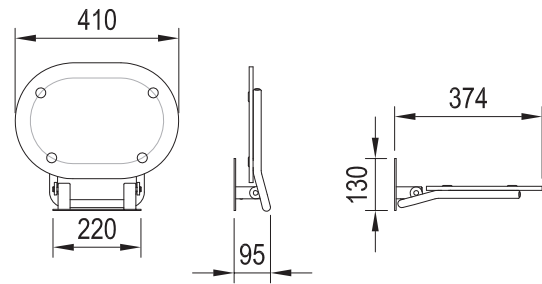


CAN BE FOLDED UP AGAINST THE WALL

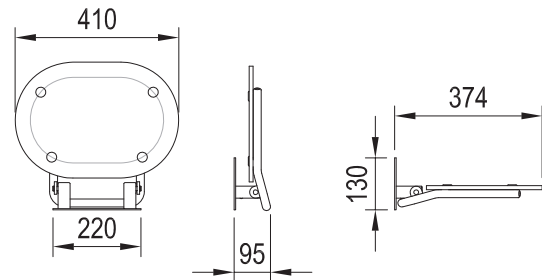


CONCEPTS

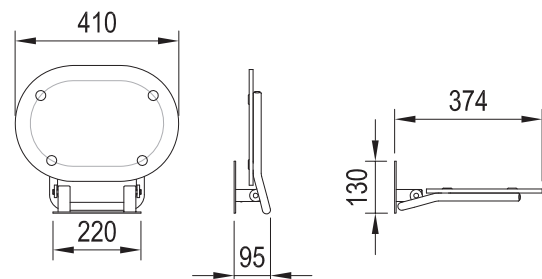
# Chrome



Order No.	Type	Design	Size of packaging (cm)	Gross weight (kg)
<b>B8F0000029</b>	Chrome shower seat, clear/stainless steel	translucent white with white oval	10x37x44	4,1



Order No.	Type	Design	Size of packaging (cm)	Gross weight (kg)
<b>B8F0000065</b>	Chrome shower seat, clear/black	translucent white with white oval	10x37x44	3,8



Order No.	Type	Design	Size of packaging (cm)	Gross weight (kg)
<b>B8F0000028</b>	Chrome shower seat, clear/white	translucent white with white oval	10x37x44	3,8

Products are delivered within 14 days as standard.

# OVO B II



Recessed hinges

## Modern lines

A larger seat surface in a modern, angular shape.

### Don't miss it

- 1.** Stainless steel structure made of rounded profiles and a plastic, shaped seat.
- 2.** We recommend installation into solid construction materials such as brick or aerated concrete, with a wall thickness of at least 100 mm plus tiling.
- 3.** Mount using anchoring elements suitable for the wall material.
- 4.** When installing into plasterboard, the wall must be reinforced to provide the necessary load-bearing capacity, for example using a wooden or metal frame.

**10**

10-YEAR WARRANTY

kg **150**

LOAD CAPACITY



CAN BE FOLDED UP AGAINST THE WALL

# OVO B II



Order No.	Type	Design	Size of packaging (cm)	Gross weight (kg)
<b>B8F0000051</b>	Ovo B II shower seat, clear/stainless steel	transparent	10x37x44	3,4
<b>B8F0000052</b>	Ovo B II shower seat, opal/stainless steel	translucent white	10x37x44	3,4
<b>B8F0000053</b>	Ovo B II shower seat, orange/stainless steel *	translucent orange	10x37x44	3,4

\*) Offer valid while stocks last.



Order No.	Type	Design	Size of packaging (cm)	Gross weight (kg)
<b>B8F0000059</b>	Ovo B II shower seat, clear/black	transparent	10x37x44	3,4
<b>B8F0000060</b>	Ovo B II shower seat, opal/black	translucent white	10x37x44	3,4
<b>B8F0000061</b>	Ovo B II shower seat, orange/black *	translucent orange	10x37x44	3,4

\*) Offer valid while stocks last.

Products are delivered within 14 days as standard.

# OVO P II



Recessed hinges

## Pleasantly round

Pleasantly rounded shape invites you to sit.

### Don't miss it

- 1.** Stainless steel structure made of rounded profiles and a plastic, shaped seat.
- 2.** We recommend installation into solid construction materials such as brick or aerated concrete, with a wall thickness of at least 100 mm plus tiling.
- 3.** Mount using anchoring elements suitable for the wall material.
- 4.** When installing into plasterboard, the wall must be reinforced to provide the necessary load-bearing capacity, for example using a wooden or metal frame.

**10**10-YEAR  
WARRANTY**kg 150**LOAD  
CAPACITYCAN BE FOLDED  
UP AGAINST  
THE WALL

# OVO P II



Order No.	Type	Design	Size of packaging (cm)	Gross weight (kg)
<b>B8F0000048</b>	Ovo P II shower seat, clear/stainless steel	transparent	10x37x44	3,5
<b>B8F0000049</b>	Ovo P II shower seat, opal/stainless steel	translucent white	10x37x44	3,4
<b>B8F0000050</b>	Ovo P II shower seat, orange/stainless steel *	translucent orange	10x37x44	3,4

\*) Offer valid while stocks last.



Order No.	Type	Design	Size of packaging (cm)	Gross weight (kg)
<b>B8F0000056</b>	Ovo P II shower seat, clear/black	transparent	10x37x44	3,5
<b>B8F0000057</b>	Ovo P II shower seat, opal/black	translucent white	10x37x44	3,4
<b>B8F0000058</b>	Ovo P II shower seat, orange/black *	translucent orange	10x37x44	3,4

\*) Offer valid while stocks last.

**ravak®**

# Shower trays, shower channels and point drain

## Comprehensive bathroom solutions

For our shower enclosures, we offer a wide range of shower trays made of acrylic or cast marble. For customized shower enclosures or barrier-free requirements, we provide shower channels in various widths and designs, as well as traditional point drains.

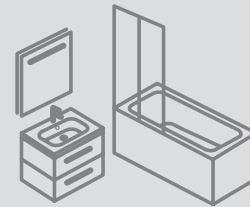




## BROAD PORTFOLIO

### There's something for everyone

A modern channel? A flat shower tray or a classic raised one?  
Or perhaps an extra deep one to keep your feet warm?



## CONCEPTS

### Concepts in matching design

Galaxy Pro Chrome trays and channels with the same name are coordinated with the Chrome concept.



## LOAD CAPACITY

### High load capacity of the trays

All trays are designed to guarantee a high load capacity – up to 150 kg.



### AntiBac

Special acrylic shower tray composition that protects against the growth and reproduction of certain types of bacteria and yeasts.



### Extended warranty

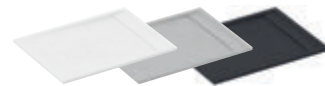
Cast shower trays come with a 5-year warranty, plastic channels with a 6-year warranty and stainless channels with a 25-year warranty.

### All installation options

The shower tray can be installed embedded into the floor, glued to the floor, or mounted on feet. A front panel can be used for exterior finishing. We also offer special trays designed for direct tiling with ceramic tiles.

**Shower channels designed for installation in the centre of the shower area**

# Sandstone Pro



Available in 3 colours



Removable drain cover for quick and easy waste trap maintenance

## Sophisticated elegance for your comfort

Large-format shower trays made of lightweight cast marble with a matt surface in an elegant finish imitating stucco.

### Don't miss it

- 1.** Trays are made of cast marble = a mixture of dolomite and resin.
- 2.** Installation on the floor, for embedding, or for mounting on a base.
- 3.** Shower trays available in lengths up to 180 cm.
- 4.** The Start waste trap is designed for Sandstone shower trays and must be purchased separately.
- 5.** A drain cover in the colour of the tray is included in the package.

Shower enclosures → 18

Seats → 258

Taps → 538

Accessories → 650

Cleaning products → 693

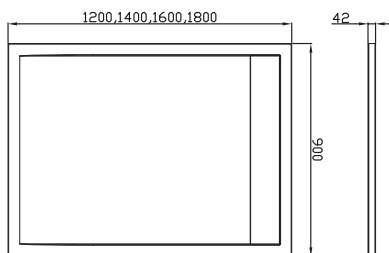
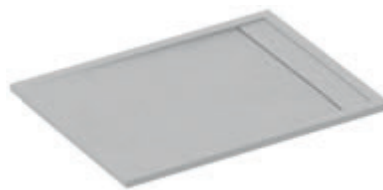
5

5-YEAR  
WARRANTY

# Sandstone Pro

## Sandstone Pro

Order No.	Type	Size of packaging (cm)	Gross weight (kg)
<b>XA03G741010</b>	Sandstone Pro tray 120x90, white	124x92x5	43,1
<b>XA03G743010</b>	Sandstone Pro tray 120x90, black	124x92x5	43,1
<b>XA03G740010</b>	Sandstone Pro tray 120x90, Smoke Grey	124x92x5	43,1
<b>XA03M741010</b>	Sandstone Pro tray 140x90, white	144x92x5	50,3
<b>XA03M743010</b>	Sandstone Pro tray 140x90, black	144x92x5	50,3
<b>XA03M740010</b>	Sandstone Pro tray 140x90, Smoke Grey	144x92x5	50,3
<b>XA03S741010</b>	Sandstone Pro tray 160x90, white	164x92x5	57,5
<b>XA03S743010</b>	Sandstone Pro tray 160x90, black	164x92x5	57,5
<b>XA03S740010</b>	Sandstone Pro tray 160x90, Smoke Grey	164x92x5	57,5
<b>XA03Y741010</b>	Sandstone Pro tray 180x90, white	184x92x5	64,7
<b>XA03Y743010</b>	Sandstone Pro tray 180x90, black	184x92x5	64,7
<b>XA03Y740010</b>	Sandstone Pro tray 180x90, Smoke Grey	184x92x5	64,7



# Slate Pro



Available in 3 colours



Removable grid for easy and quick waste trap cleaning

## Design inspired by natural stone

Large-format shower trays made of lightweight cast marble with a surface imitating natural slate.

### Don't miss it

- 1.** Installation on the floor, for embedding, or for mounting on a base.
- 2.** The shower trays can be cut to fit the size of the bathroom space.
- 3.** The Start waste trap is designed for Sandstone shower trays and must be purchased separately.
- 4.** A drain cover in the colour of the tray is included in the package.
- 5.** Trays are made of cast marble = a mixture of dolomite and resin.

Shower enclosures → 18

Seats → 258

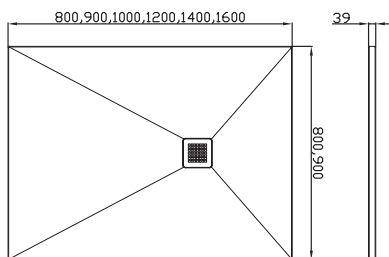
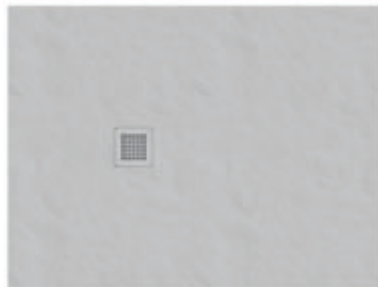
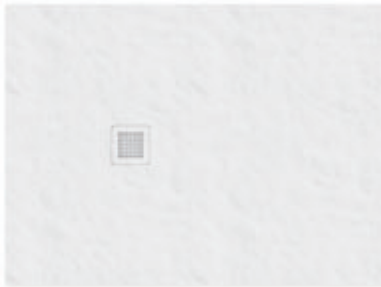
Taps → 538

Accessories → 650

Cleaning products → 693

## Slate Pro

Order No.	Type	Size of packaging (cm)	Gross weight (kg)
<b>XA034431010</b>	Slate Pro tray 80x80, white	84x82x5	24,3
<b>XA034433010</b>	Slate Pro tray 80x80, black	84x82x5	24,3
<b>XA034430010</b>	Slate Pro tray 80x80, Smoke Grey	84x82x5	24,3
<b>XA037731010</b>	Slate Pro tray 90x90, white	94x92x5	30,7
<b>XA037733010</b>	Slate Pro tray 90x90, black	94x92x5	30,7
<b>XA037730010</b>	Slate Pro tray 90x90, Smoke Grey	94x92x5	30,7
<b>XA03A431010</b>	Slate Pro tray 100x80, white	104x82x5	30,4
<b>XA03A433010</b>	Slate Pro tray 100x80, black	104x82x5	30,4
<b>XA03A430010</b>	Slate Pro tray 100x80, Smoke Grey	104x82x5	30,4
<b>XA03A731010</b>	Slate Pro tray 100x90, white	104x92x5	34,1
<b>XA03A733010</b>	Slate Pro tray 100x90, black	104x92x5	34,1
<b>XA03A730010</b>	Slate Pro tray 100x90, Smoke Grey	104x92x5	34,1
<b>XA03G731010</b>	Slate Pro tray 120x90, white	124x92x5	41,0
<b>XA03G733010</b>	Slate Pro tray 120x90, black	124x92x5	41,0
<b>XA03G730010</b>	Slate Pro tray 120x90, Smoke Grey	124x92x5	41,0
<b>XA03M731010</b>	Slate Pro tray 140x90, white	144x92x5	47,8
<b>XA03M733010</b>	Slate Pro tray 140x90, black	144x92x5	47,8
<b>XA03M730010</b>	Slate Pro tray 140x90, Smoke Grey	144x92x5	47,8
<b>XA03S731010</b>	Slate Pro tray 160x90, white	164x92x5	54,6
<b>XA03S733010</b>	Slate Pro tray 160x90, black	164x92x5	54,6
<b>XA03S730010</b>	Slate Pro tray 160x90, Smoke Grey	164x92x5	54,6






# Shower trays

## Galaxy Pro Shower trays

- shower trays of cast material

Material: cast mixture  
of dolomite and resin  
Prod. method: casting  
Design: Superflat

	Galaxy Pro Chrome <small>p. 248</small>	Galaxy Pro Flat <small>p. 252</small>	Galaxy Pro <small>p. 256</small>
<p>Elipso Pro Chrome R500 - 80, 90</p> <p>Elipso Pro Flat R500 - 80, 90</p> <p>Elipso Pro Flat R550 - 90</p> <p>Elipso Pro R500 - 80, 90, 100</p>			
<p>Perseus Pro Chrome 80, 90, 100</p> <p>Perseus Pro Flat 80, 90</p> <p>Perseus Pro 80, 90, 100</p>			
<p>Gigant Pro Chrome 80x100, 80x110, 80x120, 90x100, 90x120</p> <p>Gigant Pro Flat 80x100, 80x120, 90x100, 90x120</p> <p>Gigant Pro 80x100, 90x100, 80x110, 70x120, 80x120, 90x120</p>			

# Galaxy Shower trays

- extra shallow shower trays p. 288

Material: PMMA + ABS sandwich, antibac®  
Reinforcement: type LA - fibreglass

type LA  
for installation on legs (Universal Base),  
or for embedding

Gigant  
80x100  
90x120



# Kaskada Shower trays

- shower trays for everyone p. 290

Material: PMMA + ABS sandwich, antibac®  
Reinforcement: type LA - fibreglass  
EX, PU types - polyurethane foam  
with glass fibres

type LA  
for installation on legs (Universal Base),  
or for embedding

type EX  
self-supporting, without a panel,  
intended for tiling

type PU  
self-supporting, with an integrated  
panel

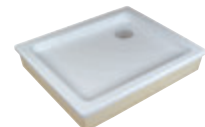
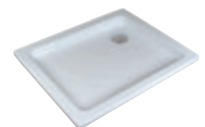
Ronda 80, 90



Angela 80, 90



Aneta 75x90



# Sabina

- deep seating shower tray p. 294

Material: PMMA + ABS sandwich, antibac®  
Reinforcement: type LA - fibreglass

type LA  
for installation on a solid base

type LA + BASE  
LA shower tray with legs

type LA + BASE + SET  
LA shower tray with legs and panel

Sabina 80, 90



# Shower trays

## EXAMPLES OF SHOWER TRAY INSTALLATION

Shower trays are classified into several types based on their construction. Each type has its own installation method.

### A Shower trays for installation on legs or directly onto the floor

#### type LA



Kaskada  
Galaxy

- for embedding into the floor
- for installation on a solid base
- for installation on legs

LA-type shower trays consist of a co-extruded shell, a laminate layer, and reinforcement. The trays are supplied without a panel, and a panel cannot be purchased separately for this type.

#### type LA Sabina



Sabina

- for installation on a solid-base or embedding into the floor
- for installation on legs
- for installation on legs with a panel

Deep Sabina seating trays consist of a co-extruded shell, a laminate layer, and reinforcement. Legs and panel are ordered separately.

#### Cast shower trays



Galaxy Pro (Flat, Chrome),  
Slate Pro, Sandstone Pro

- for direct gluing onto the floor or embedding into the floor
- for installation on legs\*
- for installation on legs with a panel\*

The Galaxy Pro, Galaxy Pro Flat, Galaxy Pro Chrome, Galaxy Pro 10°, Slate Pro, and Sandstone Pro shower trays are made of ground dolomite and polyester resin using pure casting technology. The front panel (Set) and legs (Base) are not included and can be purchased separately.

*\*) does not apply to Slate Pro and Sandstone Pro*



Installation instructions for shower trays – floor-mounted, leg-mounted, and self-supporting trays – can be found at [www.ravak.cz](http://www.ravak.cz)

## B Self-supporting shower trays

### type PU



Kaskada

- self-supporting
- shower tray with integrated panel

The PU shower tray consists of a co-extruded shell and a polyurethane support reinforced with fiberglass mat. The PU tray is self-supporting and moulded as a single piece with the front panel. Installation of a PU tray usually takes only a few minutes and is one of the most economical and trouble-free options.

### type EX



Kaskada  
Galaxy

- self-supporting
- for covering with tiles

EX-type shower trays consist of a co-extruded shell and a polyurethane support. They differ from PU trays in that the acrylic shell is trimmed so the tray can be covered with standard tiling materials. In this case, tiles are adhered directly to the tray body.

## WHAT MAKES PU, EX AND PAN TYPE SHOWER TRAYS UNIQUE?

### High rigidity – a guarantee of durability

The unique, robust polyurethane base ensures 100% stability of the shower tray.

### Shape stability – the tray does not bend or creak

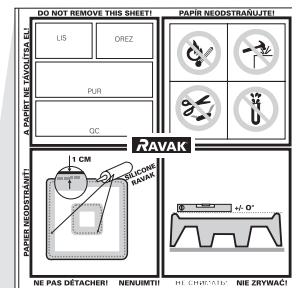
Thanks to advanced high-pressure casting technology with glass fibres, the base remains permanently dimensionally stable even after years of use. The tray does not shift, even with frequent use, and will serve you reliably for a long time.

### Quick and easy installation

For the perfect installation of the tray and fixing of tiles, all you need is a single tube of RAVAK Professional silicone sealant. This eliminates the need for traditional masonry work, which can easily scratch the tray surface.

### Perfect water drainage

By default, all new shower trays come fitted with a 90mm waste trap with a flow rate of up to 30 litres per minute, enough to meet even the highest demand.



Each shower tray carries individual marking that clearly identifies it.

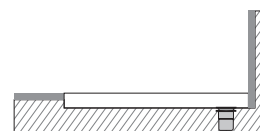
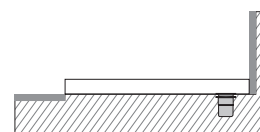
# Galaxy Pro Chrome



Designed to complement the Chrome concept



Easy to clean



Can be embedded into the floor or glued onto the surface

## Modern, clean design

A great match for any modern shower enclosure.

### Don't miss it

1. These trays are made of cast marble = a mixture of dolomite and resin.
2. Tray height: 30 mm.
3. Elipso Pro Chrome tray - 500 radius with a hole for a waste trap at the corner of the tray.
4. When installing a shower tray, we recommend using the universal mounting kit (shower tray accessory) to facilitate sealing.

Shower trays - accessories → 296

Shower enclosures → 18

Taps → 538

Seats → 258

Detergents → 693

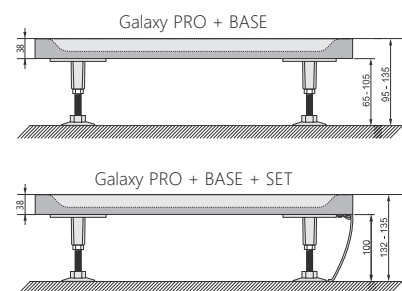
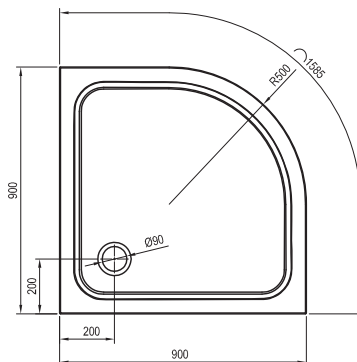
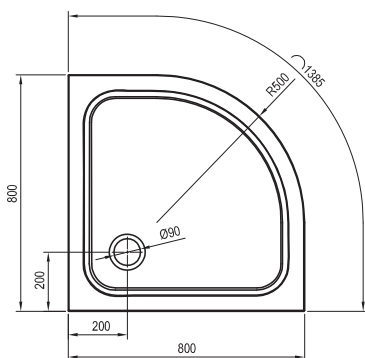


# Galaxy Pro Chrome

## Elipso Pro Chrome

Order No.	Type	Size of packaging (cm)	Gross weight (kg)
<b>XA244401010</b>	Elipso Pro Chrome tray 80x80	84x6x84	25,5
<b>XA247701010</b>	Elipso Pro Chrome tray 90x90	95x6x95	33,3
<b>XA934001010</b>	Elipso Pro panel 80 set	4x33x11	1,1
<b>XA937001010</b>	Elipso Pro panel 90 set	4x44x11	1,2
<b>XB2J000000N</b>	Galaxy Pro base	15x8x8	0,6
<b>A000000004</b>	Universal mounting kit for shower trays	8x5x125	0,7

Material: cast mixture of dolomite and resin  
 Production process: casting

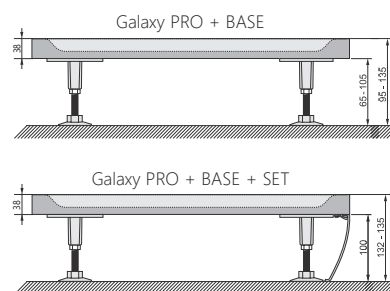
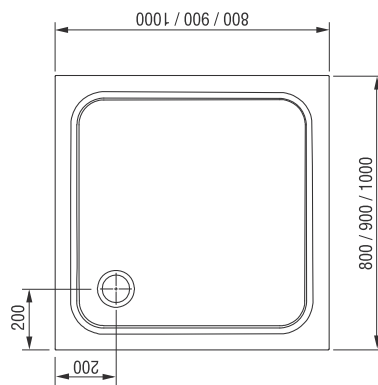


Products are delivered within 14 days as standard.

## Perseus Pro Chrome

Order No.	Type	Size of packaging (cm)	Gross weight (kg)
<b>XA044401010</b>	Perseus Pro Chrome tray 80x80	84x6x84	28,5
<b>XA047701010</b>	Perseus Pro Chrome tray 90x90	95x6x95	36,0
<b>XA04AA01010</b>	Perseus Pro Chrome tray 100x100	105x6x105	46,9
<b>XA834001010</b>	Perseus Pro panel 80 set	4x39x11	1,1
<b>XA837001010</b>	Perseus Pro panel 90 set	4x44x11	1,2
<b>XA83A001010</b>	Perseus Pro panel 100 set	4x50x11	1,4
<b>XB2J000000N</b>	Galaxy Pro base	15x8x8	0,6
<b>A000000004</b>	Universal mounting kit for shower trays	8x5x125	0,7

Material: cast mixture of dolomite and resin  
 Production process: casting



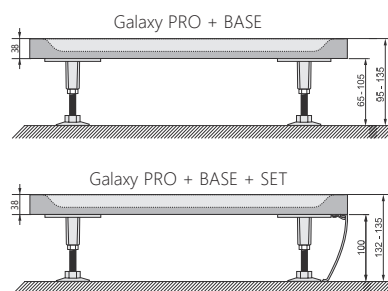
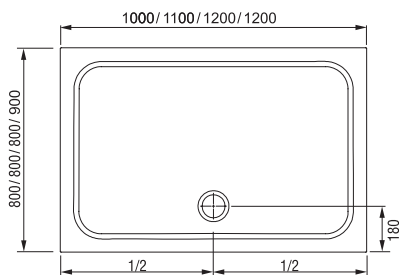


# Galaxy Pro Chrome

## Gigant Pro Chrome

Order No.	Type	Size of packaging (cm)	Gross weight (kg)
<b>XA04A401010</b>	Gigant Pro Chrome tray 100x80	84x6x105	34,6
<b>XA04A701010</b>	Gigant Pro Chrome tray 100x90	94x6x105	39,7
<b>XA04D401010</b>	Gigant Pro Chrome tray 110x80	84x6x115	39,7
<b>XA04G401010</b>	Gigant Pro Chrome tray 120x80	84x6x125	43,0
<b>XA04G701010</b>	Gigant Pro Chrome tray 120x90	94x6x125	47,5
<b>XA83AL01010</b>	Gigant Pro panel 100x80 set L	4x64x11	1,2
<b>XA83AP01010</b>	Gigant Pro panel 100x80 set R	4x64x11	1,2
<b>XA83DL01010</b>	Gigant Pro panel 110x80 set L	4x72x11	1,3
<b>XA83DP01010</b>	Gigant Pro panel 110x80 set R	4x72x11	1,3
<b>XA83GL01010</b>	Gigant Pro panel 120x80 set L	4x76x11	1,4
<b>XA83GP01010</b>	Gigant Pro panel 120x80 set R	4x76x11	1,4
<b>XA83GL71010</b>	Gigant Pro panel 120x90 set L	4x75x11	1,4
<b>XA83GP71010</b>	Gigant Pro panel 120x90 set R	4x75x11	1,4
<b>XB2J000000N</b>	Galaxy Pro base	15x8x8	0,6
<b>A000000004</b>	Universal mounting kit for shower trays	8x5x125	0,7

Material: cast mixture of dolomite and resin  
 Production process: casting

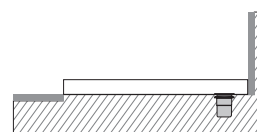


Products are delivered within 14 days as standard.

# Galaxy Pro Flat



Easy to clean



Can be embedded into the floor or glued onto the surface

## Affordable

Offers an outstanding price/performance ratio in the cast tray category.

### Don't miss it

1. These trays are made of cast marble = a mixture of dolomite and resin.
2. Tray height: 30 mm.
3. Elipso Pro Flat tray - 500 radius with a hole for a waste trap by the right edge of the tray.
4. When installing a shower tray, we recommend using the universal mounting kit (shower tray accessory) to facilitate sealing.
5. Elipso Pro 90 Flat shower tray also with radius 550.

Shower trays - accessories  
→ 296

Shower enclosures  
→ 18

Taps  
→ 538

Seats  
→ 258

Detergents  
→ 693

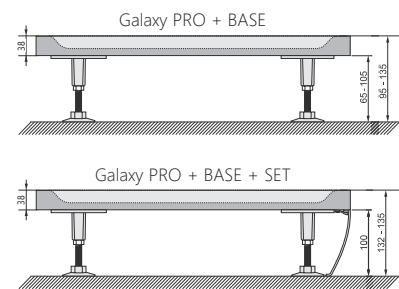
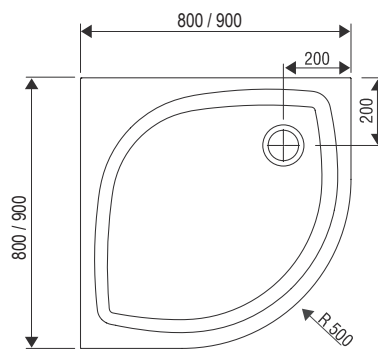


## Elipso Pro Flat

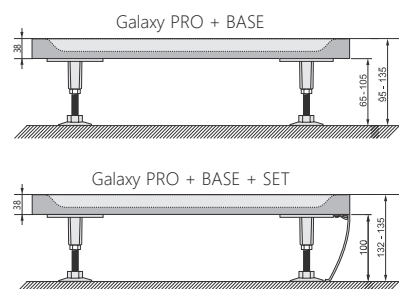
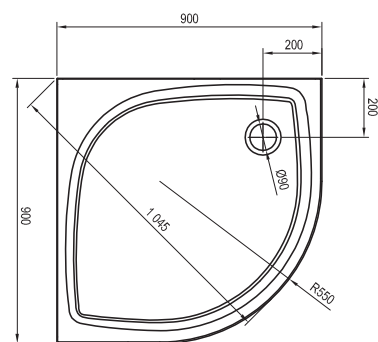
Order No.	Type	Size of packaging (cm)	Gross weight (kg)
<b>XA234411010</b>	Elipso Pro Flat tray 80x80	84x6x84	24,6
<b>XA237711010</b>	Elipso Pro Flat tray 90x90	95x6x95	33,6
<b>XA237711010B</b>	Elipso Pro Flat tray 90x90 R550	95x6x95	31,9
<b>XA934001010</b>	Elipso Pro panel 80 set	4x33x11	1,1
<b>XA937001010</b>	Elipso Pro panel 90 set	4x44x11	1,2
<b>XA937001010B</b>	Elipso Pro panel 90 R550 set	4x44x11	1,2
<b>XB2J000000N</b>	Galaxy Pro base	15x8x8	0,6
<b>A000000004</b>	Universal mounting kit for shower trays	8x5x125	0,7

Material: cast mixture of dolomite and resin  
 Production process: casting

### R500



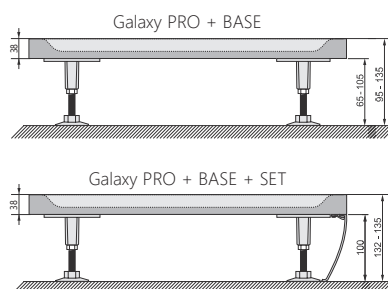
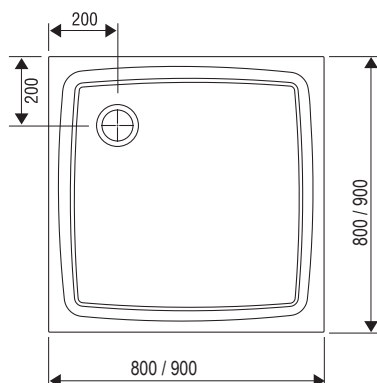
### R550



## Perseus Pro Flat

Order No.	Type	Size of packaging (cm)	Gross weight (kg)
<b>XA034411010</b>	Perseus Pro Flat tray 80x80	85x6x85	24,3
<b>XA037711010</b>	Perseus Pro Flat tray 90x90	95x6x95	35,9
<b>XA834001010</b>	Perseus Pro panel 80 set	4x39x11	1,1
<b>XA837001010</b>	Perseus Pro panel 90 set	4x44x11	1,2
<b>XB2J000000N</b>	Galaxy Pro base	15x8x8	0,6
<b>A000000004</b>	Universal mounting kit for shower trays	8x5x125	0,7

Material: cast mixture of dolomite and resin  
 Production process: casting

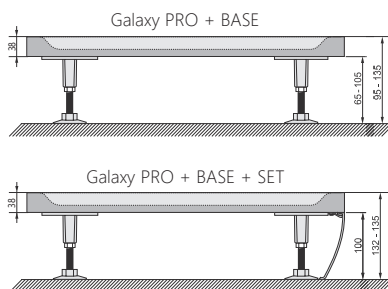
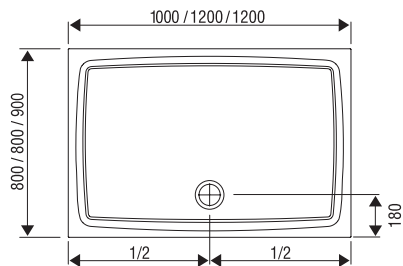




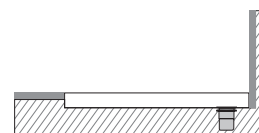
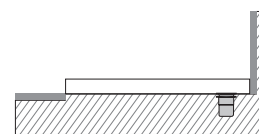
## Gigant Pro Flat

Order No.	Type	Size of packaging (cm)	Gross weight (kg)
<b>XA03A411010</b>	Gigant Pro Flat tray 100x80	84x6x105	35,0
<b>XA03A711010</b>	Gigant Pro Flat tray 100x90	94x6x105	38,0
<b>XA03G411010</b>	Gigant Pro Flat tray 120x80	84x6x125	40,5
<b>XA03G711010</b>	Gigant Pro Flat tray 120x90	94x6x125	46,7
<b>XA83AL01010</b>	Gigant Pro panel 100x80 set L	4x64x11	1,2
<b>XA83AP01010</b>	Gigant Pro panel 100x80 set R	4x64x11	1,2
<b>XA83GL01010</b>	Gigant Pro panel 120x80 set L	4x76x11	1,4
<b>XA83GP01010</b>	Gigant Pro panel 120x80 set R	4x76x11	1,4
<b>XA83GL71010</b>	Gigant Pro panel 120x90 set L	4x75x11	1,4
<b>XA83GP71010</b>	Gigant Pro panel 120x90 set R	4x75x11	1,4
<b>XB2J000000N</b>	Galaxy Pro base	15x8x8	0,6
<b>A000000004</b>	Universal mounting kit for shower trays	8x5x125	0,7

Material: cast mixture of dolomite and resin  
Production process: casting



# Galaxy Pro



Can be embedded into the floor or glued onto the surface



Anti-slip surface finish

## Anti-slip surface

Improved safety when showering thanks to an anti-slip surface finish.

### Don't miss it

1. These trays are made of cast marble = a mixture of dolomite and resin.
2. Tray height: 30 mm.
3. Elipso Pro tray – 500 radius with a hole for a waste trap at the corner of the tray.
4. When installing a shower tray, we recommend using the universal mounting kit (shower tray accessory) to facilitate sealing.

Shower trays - accessories  
→ 296

Shower enclosures  
→ 18

Taps  
→ 538

Seats  
→ 258

Detergents  
→ 693



5-YEAR WARRANTY



SHOWER TRAY DEPTH



SHOWER TRAY HEIGHT

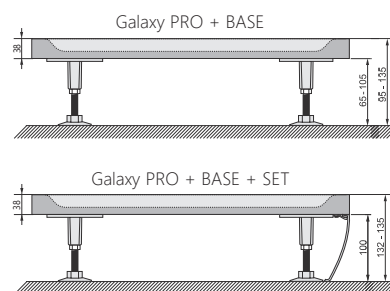
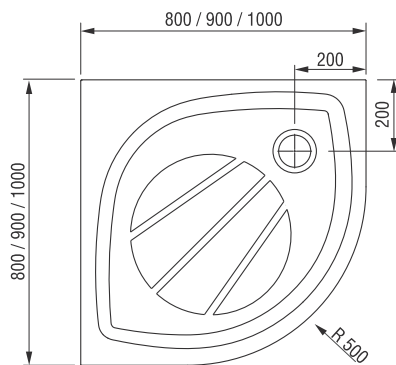


WASTE TRAP DIAMETER

## Elipso Pro

Order No.	Type	Size of packaging (cm)	Gross weight (kg)
<b>XA234401010</b>	Elipso Pro tray 80x80	84x6x84	26,2
<b>XA237701010</b>	Elipso Pro tray 90x90	94x6x94	33,4
<b>XA23AA01010</b>	Elipso Pro tray 100x100	105x6x105	42,3
<b>XA934001010</b>	Elipso Pro panel 80 set	4x33x11	1,1
<b>XA937001010</b>	Elipso Pro panel 90 set	4x44x11	1,2
<b>XA93A001010</b>	Elipso Pro panel 100 set	4x90x11	1,4
<b>XB2J000000N</b>	Galaxy Pro base	15x8x8	0,6
<b>A000000004</b>	Universal mounting kit for shower trays	8x5x125	0,7

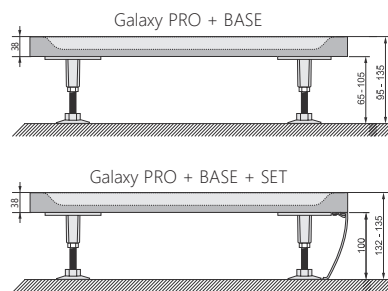
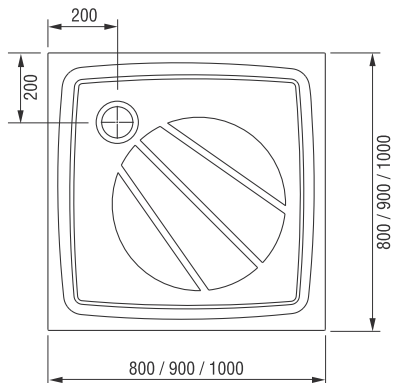
Material: cast mixture of dolomite and resin  
Production process: casting



## Perseus Pro

Order No.	Type	Size of packaging (cm)	Gross weight (kg)
<b>XA034401010</b>	Perseus Pro tray 80x80	85x6x85	30,0
<b>XA037701010</b>	Perseus Pro tray 90x90	94x6x94	38,2
<b>XA03AA01010</b>	Perseus Pro tray 100x100	105x6x105	48,0
<b>XA834001010</b>	Perseus Pro panel 80 set	4x39x11	1,1
<b>XA837001010</b>	Perseus Pro panel 90 set	4x44x11	1,2
<b>XA83A001010</b>	Perseus Pro panel 100 set	4x50x11	1,4
<b>XB2J000000N</b>	Galaxy Pro base	15x8x8	0,6
<b>A000000004</b>	Universal mounting kit for shower trays	8x5x125	0,7

Material: cast mixture of dolomite and resin  
 Production process: casting





5-YEAR WARRANTY



SHOWER TRAY DEPTH



SHOWER TRAY HEIGHT

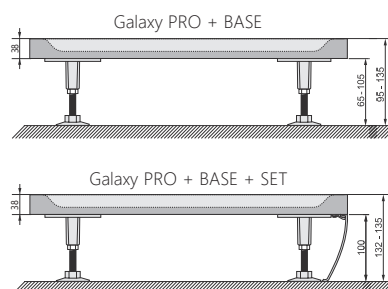
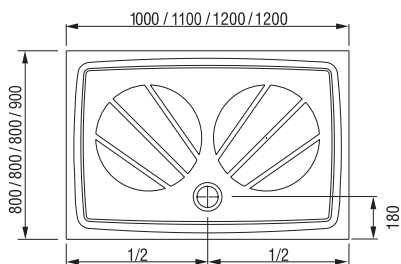


WASTE TRAP DIAMETER

## Gigant Pro

Order No.	Type	Size of packaging (cm)	Gross weight (kg)
<b>XA03A401010</b>	Gigant Pro tray 100x80	84x6x105	35,9
<b>XA03A701010</b>	Gigant Pro tray 100x90	94x6x105	38,0
<b>XA03D401010</b>	Gigant Pro tray 110x80	84x6x115	40,2
<b>XA03G101010</b>	Gigant Pro tray 120x70	74x6x125	39,6
<b>XA03G401010</b>	Gigant Pro tray 120x80	84x6x125	43,7
<b>XA03G701010</b>	Gigant Pro tray 120x90	94x6x125	46,3
<b>XA83AL01010</b>	Gigant Pro panel 100x80 set L	4x64x11	1,2
<b>XA83AP01010</b>	Gigant Pro panel 100x80 set R	4x64x11	1,2
<b>XA83DL01010</b>	Gigant Pro panel 110x80 set L	4x72x11	1,3
<b>XA83DP01010</b>	Gigant Pro panel 110x80 set R	4x72x11	1,3
<b>XA83GL01010</b>	Gigant Pro panel 120x80 set L	4x76x11	1,4
<b>XA83GP01010</b>	Gigant Pro panel 120x80 set R	4x76x11	1,4
<b>XA83GL71010</b>	Gigant Pro panel 120x90 set L	4x75x11	1,4
<b>XA83GP71010</b>	Gigant Pro panel 120x90 set R	4x75x11	1,4
<b>XB2J000000N</b>	Galaxy Pro base	15x8x8	0,6
<b>A000000004</b>	Universal mounting kit for shower trays	8x5x125	0,7

Material: cast mixture of dolomite and resin  
Production process: casting



# Galaxy



Protection against the reproduction of bacteria and yeast

## Simple installation

PAN designs are very easy to install by simply gluing to the floor.

### Don't miss it

- 1.** The front rim of the tray in LA design is 35 mm tall.
- 2.** The tray in PAN design is 175 mm tall. Elipso tray depth: 50 mm; Gigant tray depth: 23 mm.
- 3.** Universal base 650 is designed for LA-90 shower trays. Universal base 750 is designed for Gigant LA 120x90 shower trays.
- 4.** Type PAN – carrier made of polyurethane foam with glass fibres.
- 5.** When installing a shower tray, we recommend using the universal mounting kit (shower tray accessory) to facilitate sealing.

Shower trays – accessories → 296

Shower enclosures → 18

Taps → 538

Seats → 258

Detergents → 693



SHOWER TRAY DEPTH



WASTE TRAP DIAMETER



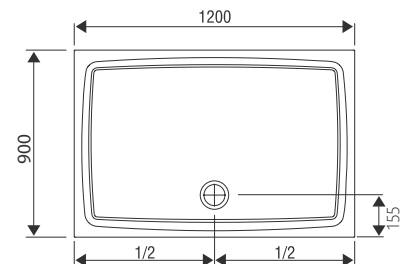
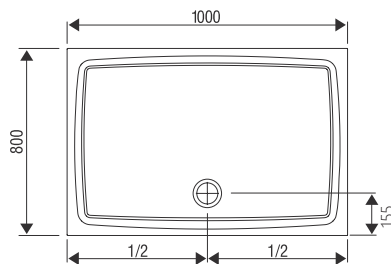
ANTIBAC®

## Gigant

Order No.	Type	Size of packaging (cm)	Gross weight (kg)
<b>XA01A401210</b>	Gigant tray 100x80 LA	84x10x105	15,5
<b>XA01G701210</b>	Gigant tray 120x90 LA	84x10x125	19,7
<b>B2F0000002</b>	Universal base 65 for tray 90 LA	65x11x5	2,7
<b>B2F0000003</b>	Universal base 75 for tray 100 LA	75x11x5	3,1
<b>A000000004</b>	Universal mounting kit for shower trays	8x5x125	0,7

Material: Acrylic (PMMA + ABS sandwich), Antibac® finish  
Reinforcement: type LA - fibreglass

## Gigant



# Kaskada



Special material prevents the reproduction of bacteria and yeast



9 cm tray depth for enhanced safety while showering



Distinctive cascading surface

## Different and deeper

The tray is 90 mm deep and the bottom is sloped for better water drainage.

### Don't miss it

- 1.** The front rim of the tray in LA design is 35 mm tall.
- 2.** The tray in PU / EX design is 185 mm tall.
- 3.** Universal base 600 is designed for LA-80 shower trays. Universal base 650 is designed for LA-90 shower trays.
- 4.** Type PU/EX - carrier made of polyurethane foam with glass fibres.
- 5.** When installing a shower tray, we recommend using the universal mounting kit (shower tray accessory) to facilitate sealing.

Shower trays - accessories → 296

Shower enclosures → 18

Taps → 538

Seats → 258

Detergents → 693



## Ronda

Order No.	Type	Size of packaging (cm)	Gross weight (kg)
<b>A214001220</b>	Ronda tray 80x80 LA	81x4x81	8,8
<b>A204001320</b>	Ronda tray 80x80 EX	81x19x81	5,2
<b>A204001120</b>	Ronda tray 80x80 PU	81x19x81	6,9
<b>A217001220</b>	Ronda tray 90x90 LA	91x4x91	11,0
<b>A207001320</b>	Ronda tray 90x90 EX	91x19x91	7,1
<b>A207001120</b>	Ronda tray 90x90 PU	91x19x91	8,4
<b>B2F0000001</b>	Universal base 60 for tray 80 LA	60x11x5	2,6
<b>B2F0000002</b>	Universal base 65 for tray 90 LA	65x11x5	2,7
<b>A000000004</b>	Universal mounting kit for shower trays	8x5x125	0,7

Material: Acrylic (PMMA + ABS sandwich), Antibac® finish  
 Reinforcement: type LA - fibreglass; type EX, PU - polyurethane foam with glass fibres



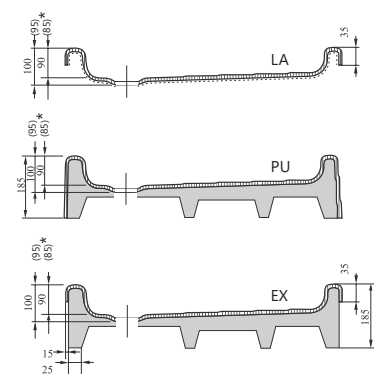
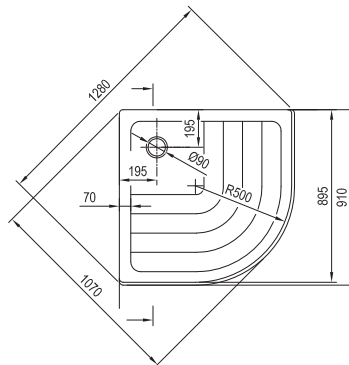
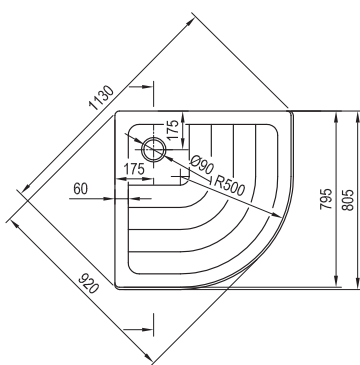
RONDA LA



RONDA EX



RONDA PU



## Angela

Order No.	Type	Size of packaging (cm)	Gross weight (kg)
<b>A014401220</b>	Angela tray 80x80 LA	81x4x81	10,5
<b>A004401320</b>	Angela tray 80x80 EX	81x19x81	6,6
<b>A004401120</b>	Angela tray 80x80 PU	81x19x81	7,6
<b>A017701220</b>	Angela tray 90x90 LA	91x4x91	11,5
<b>A007701320</b>	Angela tray 90x90 EX	91x19x91	7,1
<b>A007701120</b>	Angela tray 90x90 PU	91x19x91	8,0
<b>B2F0000001</b>	Universal base 60 for tray 80 LA	60x11x5	2,6
<b>B2F0000002</b>	Universal base 65 for tray 90 LA	65x11x5	2,7
<b>A000000004</b>	Universal mounting kit for shower trays	8x5x125	0,7

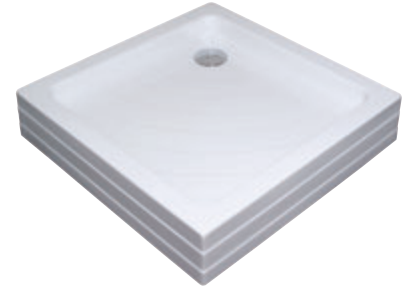
Material: Acrylic (PMMA + ABS sandwich), Antibac® finish  
 Reinforcement: type LA - fibreglass; type EX, PU - polyurethane foam with glass fibres



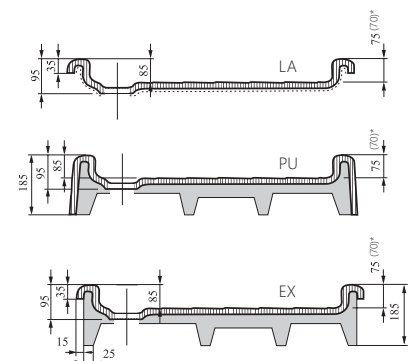
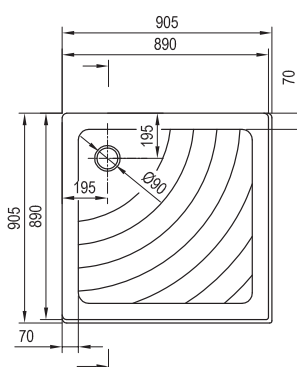
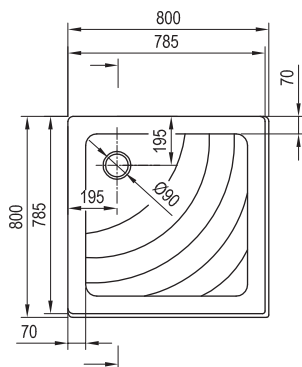
ANGELA LA



ANGELA EX



ANGELA PU





SHOWER TRAY DEPTH



SHOWER TRAY HEIGHT



WASTE TRAP DIAMETER



ANTIBAC\*

## Aneta

Order No.	Type	Size of packaging (cm)	Gross weight (kg)
<b>A003701220</b>	Aneta tray 75x90 LA	76x4x91	10,0
<b>A003701320</b>	Aneta tray 75x90 EX	76x19x91	7,6
<b>A003701120</b>	Aneta tray 75x90 PU	76x19x91	8,7
<b>B2F0000002</b>	Universal base 65 for tray 90 LA	65x11x5	2,7
<b>A000000004</b>	Universal mounting kit for shower trays	8x5x125	0,7

Material: Acrylic (PMMA + ABS sandwich), Antibac® finish  
 Reinforcement: type LA - fibreglass; type EX, PU - polyurethane foam with glass fibres



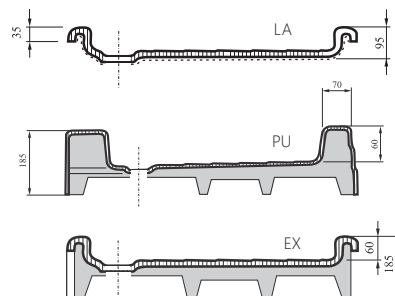
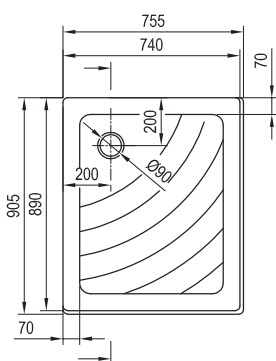
ANETA LA



ANETA EX



ANETA PU



# Sabina

 Deep shower tray with integrated seat

With a depth of 27 cm, it combines the advantages of both a bathtub and a shower enclosure



Offers comfortable seating when showering

## When a bathtub won't fit

Priceless in smaller bathrooms. Enables comfortable showering, as well as bathing children or soaking laundry.

### Don't miss it

- 1.** Recommended alongside shower enclosures with reduced height – BLCP4 Sabina and SKCP4 Sabina.
- 2.** We recommend using the RAVAK Sabina waste trap.
- 3.** Installation on legs for tiling – LA version with 80/90 mm legs.
- 4.** Installation on legs for tiling – LA version + 80/90 mm legs + Sabina panelkit.
- 5.** When installing a shower tray, we recommend using the universal mounting kit (shower tray accessory) to facilitate sealing.

Shower trays – accessories → 296

Shower enclosures → 18

Taps → 538

Seats → 258

Detergents → 693



SHOWER TRAY DEPTH



SHOWER TRAY HEIGHT



WASTE TRAP DIAMETER



ANTIBAC\*

## Sabina

Order No.	Type	Size of packaging (cm)	Gross weight (kg)
<b>A214001020</b>	Sabina tray 80x80 LA	81x30x81	14,8
<b>A217001020</b>	Sabina tray 90x90 LA	91x30x91	16,8
<b>B2C0000002</b>	Sabina base 80	67x11x5	3,4
<b>B2C0000001</b>	Sabina base 90	77x11x5	3,4
<b>A914001020</b>	Sabina panel 80	4x21x39	2,5
<b>A917001020</b>	Sabina panel 90	4x21x39	2,6
<b>B2E000001N</b>	Sabina panelkit 80	5x11x29	0,8
<b>B2E000000N</b>	Sabina panelkit 90	5x11x39	0,8
<b>A000000004</b>	Universal mounting kit for shower trays	8x5x125	0,7

Material: Acrylic (PMMA + ABS sandwich), Antibac® finish  
Reinforcement: type LA - fibreglass



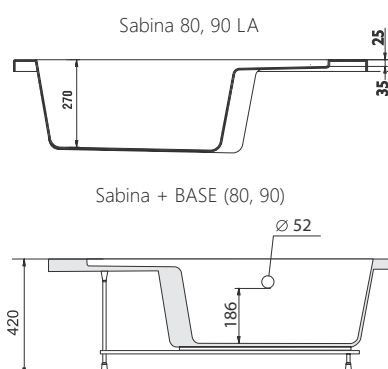
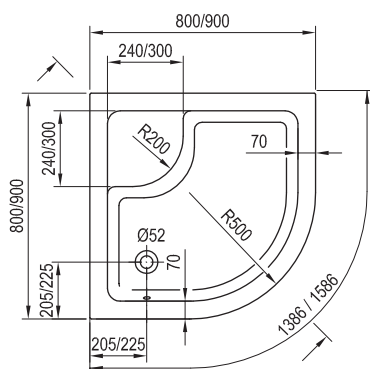
Sabina LA



Sabina LA + Base













Sabina LA + Base + Set








# ravak® Accessories for shower trays

## Shower tray waste traps












	Name	Order No.	Amount per package
	Start waste trap 90 mm	X01927	1
	Basic waste trap 90 mm, stainless steel	X01308	1
	Standard waste trap 90 mm, chrome	X01314	1
	Professional waste trap 90 mm, Rose Gold Brushed	X01852	1
	Professional waste trap 90 mm, chrome	X01309	1
	Professional waste trap 90 mm, black	X01749	1
	Professional waste trap 90 mm, matt white	X01850	1
	Professional waste trap 90 mm, Graphite Brushed	X01851	1
	Sabina waste trap	X01315	1
	Waste pipe reducer 40/50 mm	X01304	1

## Support (legs)

	Name	Order No.	Amount per package
	Universal base 60 for tray 80 LA	B2F0000001	1
	Universal base 65 for tray 90 LA	B2F0000002	1
	Universal base 75 for tray 100 LA	B2F0000003	1
	Galaxy Pro base	XB2J000000N	1
	Universal mounting kit for shower trays	A000000004	1

# ravak® Accessories for shower trays

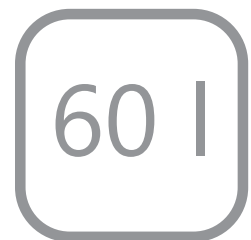
## Cover strips

	Name	Order No.	Amount per package	
<p>Seals joints of up to 6 mm. It can be complemented with a set containing 2 end caps (L/R) and 2 corner connectors.</p>		Cover strip 0.6/110, white	XB441100001	1
		Cover strip 0.6/200, white	XB442000001	1
<p>Includes 2 end caps (L/R) and 2 corner connectors.</p>		Cover strip set 0.6, white	B440000001	1
<p>Seals joints of up to 10 mm and can be complemented with an end cap. Corners can be created by cutting at a 45° angle.</p>		Cover strip 1.0/110, white	XB451100001	1
		Cover strip 1.0/200, white	XB452000001	1
		Cover strip end cap 1.0, white	XB430001001	1
<p>Seals joints of up to 11 mm. It can be complemented with a set containing 2 end caps (L/R) and 2 corner connectors.</p>		Cover strip 1.1/110, white	XB461100001	1
		Cover strip 1.1/200, white	XB462000001	1
<p>Includes 2 end caps (L/R) and 2 corner connectors.</p>		Cover strip set 1.1, white	B460000001	1
		RAVAK Professional silicone sealant 310 ml, white	X01200	1
		RAVAK Professional silicone sealant 310 ml, transparent	X01201	1

**Runway** Stainless steel shower channels for installation in the centre of the shower floor



Perfect and easy cleaning of the entire channel, including the waste trap



Sufficient water drainage – up to 60 l/min



Comes with all the material needed for installation

**Let the beauty of your floor tiling shine**

The shower channel helps create a beautiful showering space that looks airy and optically ties the bathroom together.

**Don't miss it**

- 1.** OZW (to-the-wall) Runway with a special 'L' profile allows for adjustment to tile thickness, including adhesive, in the range of 10–15 mm.
- 2.** Double odour trap – water (with 50 mm tall water column) and dry (flap).
- 3.** Minimum installation height: 100 mm.
- 4.** 750 mm channel – min. shower enclosure size: 80 cm. 850 mm channel – min. shower enclosure size: 90 cm. 950 mm channel – min. shower enclosure size: 100 cm. 1,050 mm channel – shower enclosure size: 110+ cm.
- Parts for fixed installation come with a 25-year warranty. Replaceable parts come with a 3-year warranty.

Shower enclosures → 18

Seats → 258

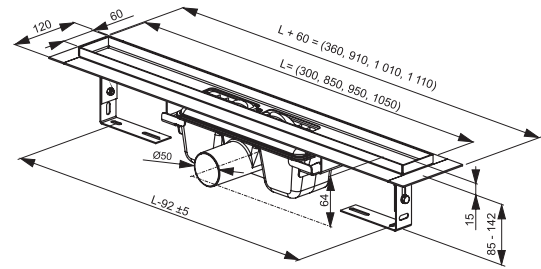
Taps → 538

Detergents → 693

25/3

WARRANTY  
ON STAINLESS  
STEEL SHOWER  
CHANNELS↑  
100mmASSEMBLY  
HEIGHT

## Runway

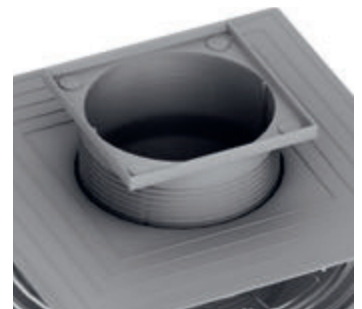


Order No.	Type	Size of packaging (cm)	Gross weight (kg)
<b>X01418</b>	Runway shower channel 30, stainless steel	37x17x13	2,0
<b>X01622</b>	Runway shower channel 75, stainless steel	82x13,5x17	4,0
<b>X01750</b>	Runway shower channel 75, black	82x13,5x17	4,0
<b>X01388</b>	Runway shower channel 85, stainless steel	92x17x13	3,9
<b>X01751</b>	Runway shower channel 85, black	92x17x13	3,9
<b>X01390</b>	Runway shower channel 95, stainless steel	103x17x13	4,2
<b>X01392</b>	Runway shower channel 105, stainless steel	112x17x13	4,6

# Zebra and SN501 Plastic body with a stainless grate



Zebra – low mounting height of just 75 mm



Perfect and easy cleaning of the entire channel, including the waste trap



Zebra – combined dry and water-based odour trap

## Let the beauty of your floor tiling shine

The drain or shower channel helps create a beautiful showering space that looks airy and optically ties the bathroom together.

### Don't miss it

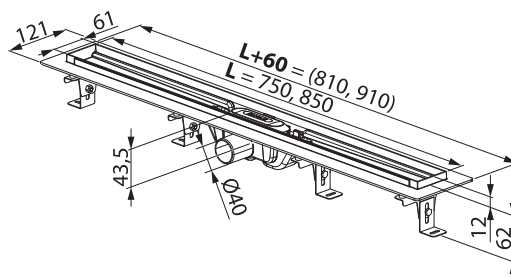
- 1.** Zebra – flow rate of 30 l/min.
- 2.** Drain – flow rate of 37 l/min.
- 3.** 750 mm channel – min. shower enclosure size: 80 cm. 850 mm channel – min. shower enclosure size: 90 cm.
- 4.** Parts for fixed installation of the shower channel and point drain come with a 6-year warranty. Replaceable parts come with a 3-year warranty.

Shower enclosures → 18

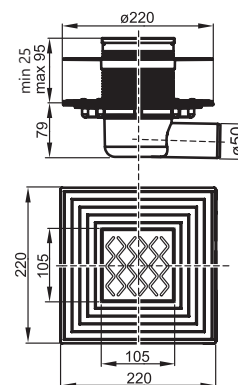
Seats → 258

Taps → 538

Detergents → 693



Order No.	Type	Size of packaging (cm)	Gross weight (kg)
<b>X01433</b>	Zebra shower channel 75, plastic	82x17x13	2,0
<b>X01434</b>	Zebra shower channel 85, plastic	92x17x13	1,9



Order No.	Type	Size of packaging (cm)	Gross weight (kg)
<b>X01435</b>	SN501 Point drain 10.5x10.5, plastic with stainless steel grid	15x23x35	1,2
<b>X01572</b>	Self-adhesive drain waterproofing 30x30	30x0,5x30	0,2

# Bathtubs



30



CONCEPTS  
A perfectly harmonious whole



**Award-winning design**

Prestigious international design awards show that our mission to deliver products that are both beautiful and highly functional is a success.

**30-YEAR WARRANTY on bathtubs**

Thanks to modern technologies and multi-stage quality control, we can offer a 30-year guarantee on all RAVAK bathtubs (when installed in accordance with the assembly instructions).

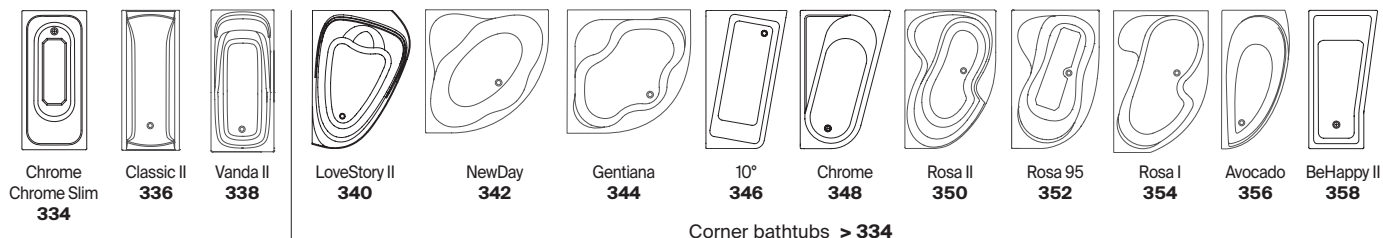
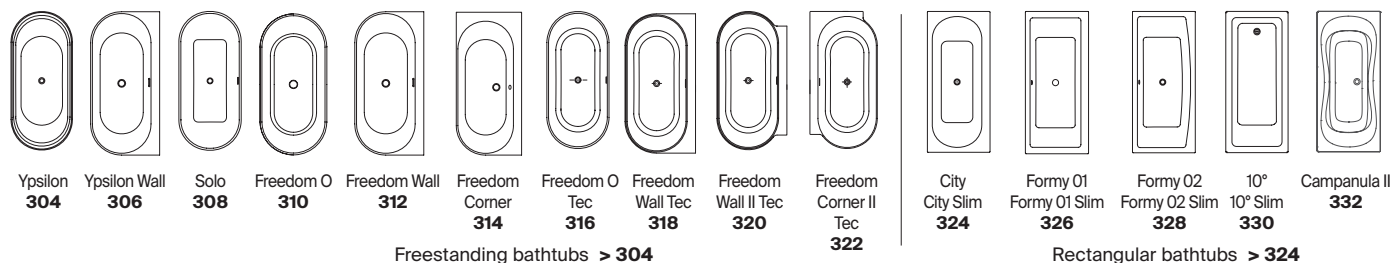
**Comfortable bathing and showering in one**

The practical shapes and internal space of most RAVAK bathtubs combine the functions of a bathtub and a shower enclosure. When complemented by a bath screen, they provide maximum space for comfortable bathing as well as showering

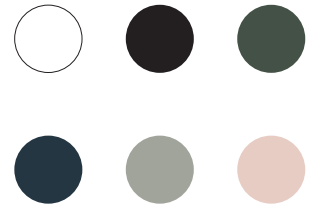
**Top-quality material**

RAVAK produces bathtubs using cast PMMA acrylic. Products made from this material retain their shape and do not warp or crack even after long years of use. They feature a high-gloss, non-porous surface that is easy to clean and has anti-bacterial properties.

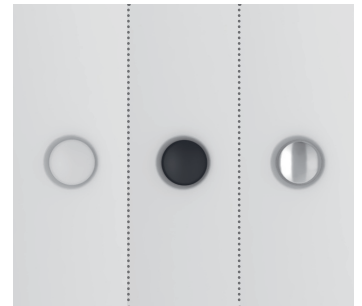
Bathtubs



# Ypsilon Freestanding bathtub



Choose from six colour options of the outer shell



Drain covers are available in chrome, black or white



Central drain for convenience on both sides of the tub

## Romantic harmony of silhouette and clean design

A freestanding bathtub that, with its clean shapes and Y-inspired silhouette, stands out in any interior.

### Don't miss it

- 1.** For all bathtub colours, the package includes drain covers in chrome, black, and white. The white version is installed.
- 2.** The legs (supports) and bathtub waste set are included with the bathtub.
- 3.** Made of PMMA and reinforced with fibreglass.

Taps → 538

Accessories → 650

Furniture → 458

Washbasins → 388

Shower enclosures → 18

270l  
VOLUME

55 kg  
WEIGHT

30  
30-YEAR WARRANTY

# Ypsilon

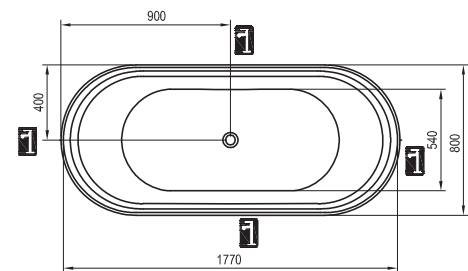
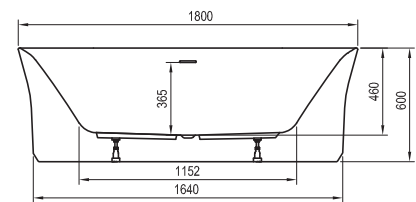
## Bathtub colour



Order No.	BATHTUB	Dimensions (mm)	Size of packaging (cm)	Gross weight (kg)
<b>XC00100026</b>	Ypsilon bathtub 180x80, freestanding, white, drain cover in white/black/chrome	1800x800x600	182x82x61	55,0
<b>XC00100058</b>	Ypsilon bathtub 180x80, freestanding, black/white, drain cover in white/black/chrome	1800x800x600	182x82x61	55,0
<b>XC00100052</b>	Ypsilon bathtub 180x80, freestanding, Grey Green/white, drain cover in white/black/chrome	1800x800x600	182x82x61	55,0
<b>XC00100071</b>	Ypsilon bathtub 180x80, freestanding, Deepsea Blue/white, drain cover in white/black/chrome	1800x800x600	182x82x61	55,0
<b>XC00100078</b>	Ypsilon bathtub 180x80, freestanding, Smoke Grey/white, drain cover in white/black/chrome	1800x800x600	182x82x61	55,0
<b>XC00100085</b>	Ypsilon bathtub 180x80, freestanding, Alabaster Pink/white, drain cover in white/black/chrome	1800x800x600	182x82x61	55,0

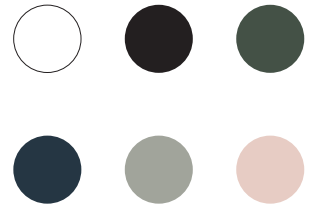
Order No.	RECOMMENDED PRODUCTS	Size of packaging (cm)	Gross weight (kg)
<b>X070578</b>	SG 080.1QWHM.RB07A Floor-mounted bathtub tap without basic unit, with shower set	96x37x14	6,9
<b>X070503</b>	ES 080.6ORGB.RB07G Floor-mounted bathtub tap without basic unit, with shower set	127x32x20	12,3



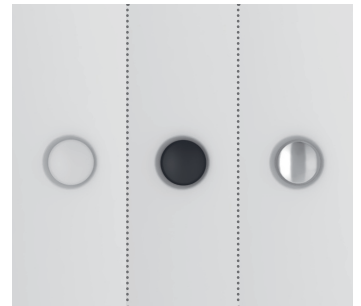
Warranty: 30 years. Products are delivered within 14 days as standard.

# Ypsilon Wall

Back-to-wall freestanding bathtub



Choose from six colour options of the outer shell



Drain covers are available in chrome, black or white



The wider rim provides space for everything you need

## Romantic interplay of silhouette and space

Elegant back-to-wall bathtub with a wide rim and ergonomic design for perfect relaxation.

### Don't miss it

- 1.** For all bathtub colours, the package includes drain covers in chrome, black, and white. The white version is installed.
- 2.** The legs (supports) and bathtub waste set are included with the bathtub.
- 3.** The integrated bathtub overflow prevents the use of an overflow filler.
- 4.** Made of PMMA acrylic and reinforced with fiberglass.

Taps → 538

Accessories → 650

Furniture → 458

Washbasins → 388

Shower enclosures → 18

2451  
VOLUME

52 kg  
WEIGHT

30  
30-YEAR WARRANTY

# Ypsilon Wall

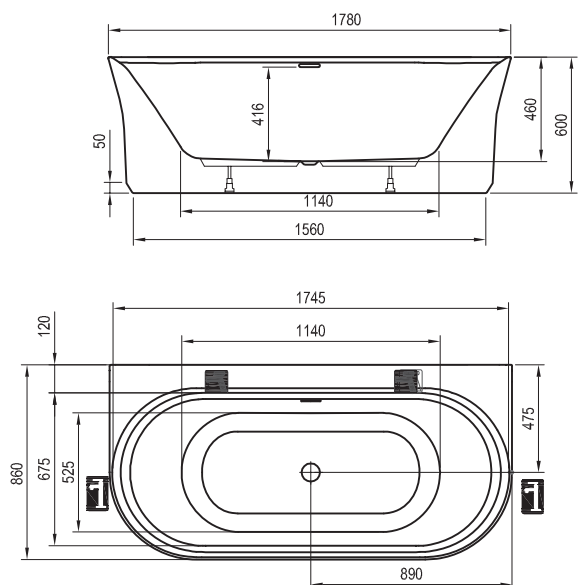
## Bathtub colour



Order No.	BATHTUB	Dimensions (mm)	Size of packaging (cm)	Gross weight (kg)
<b>XC00100028</b>	Ypsilon Wall bathtub 178x86, freestanding, white, drain cover in white/black/chrome	1780x860x600	178x82x61	52,0
<b>XC00100057</b>	Ypsilon Wall bathtub 178x86, freestanding, black/white, drain cover in white/black/chrome	1780x860x600	182x82x61	55,0
<b>XC00100064</b>	Ypsilon Wall bathtub 178x86, freestanding, Grey Green/white, drain cover in white/black/chrome	1780x860x600	182x82x61	55,0
<b>XC00100070</b>	Ypsilon Wall bathtub 178x86, freestanding, Deepsea Blue/white, drain cover in white/black/chrome	1780x860x600	182x82x61	55,0
<b>XC00100077</b>	Ypsilon Wall bathtub 178x86, freestanding, Smoke Grey/white, drain cover in white/black/chrome	1780x860x600	182x82x61	55,0
<b>XC00100084</b>	Ypsilon Wall bathtub 178x86, freestanding, Alabaster Pink/white, drain cover in white/black/chrome	1780x860x600	182x82x61	55,0

Order No.	RECOMMENDED PRODUCTS	Size of packaging (cm)	Gross weight (kg)
<b>X070424</b>	FM 080.00CR.RB07A Floor-mounted bathtub tap without basic unit, with shower set	90x41x14	8,4
<b>X070456</b>	CR II 080.00CR.RB07A Floor-mounted bathtub tap without basic unit, with shower set	80,5x18x22	8,2



**Solo** Freestanding bathtub



reddot award 2019 winner



Award-winning design



Central drain for comfortable bathing for two



We recommend complementing the bathtub with a CR II 080 floor-mounted bathtub tap

**Unique design**

Two basic geometric shapes combine into a unique, harmonious whole. The rectangular base brings visual stability, while the oval top amplifies the feeling of calm and relaxation.

**Don't miss it**

- 1.**  
Legs (support) and waste set included.
- 2.**  
The integrated bathtub overflow prevents the use of an overflow filler.
- 3.**  
Cannot be complemented with a bath screen.
- 4.**  
Made of PMMA and reinforced with fibreglass.

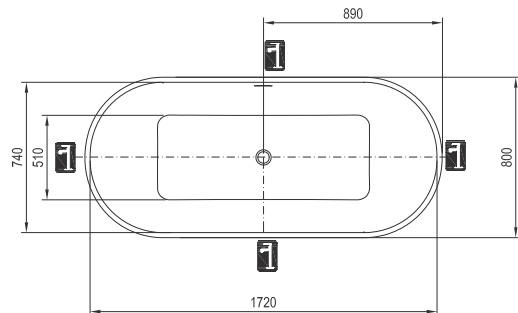
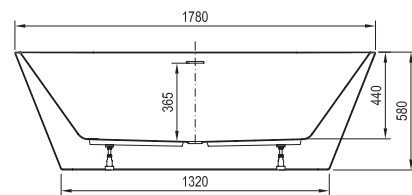
Taps → 538	Accessories → 650	Furniture → 458	Washbasins → 388	Shower enclosures → 18
------------	-------------------	-----------------	------------------	------------------------

## Bathtub colour



Order No.	BATHTUB	Dimensions (mm)	Size of packaging (cm)	Gross weight (kg)
<b>XC00100025</b>	Solo bathtub 178x80, freestanding, white, overflow and drain cover in chrome	1780x800x580	180x82x61	67,0
<b>XC00100050</b>	Solo bathtub 178x80, freestanding, white, overflow and drain cover in white	1780x800x580	180x82x61	67,0
<b>XC00100036</b>	Solo bathtub 178x80, freestanding, white, overflow and drain cover in black	1780x800x580	180x82x61	67,0

Order No.	RECOMMENDED PRODUCTS	Size of packaging (cm)	Gross weight (kg)
<b>X070424</b>	FM 080.00CR.RB07A Floor-mounted bathtub tap without basic unit, with shower set	90x41x14	8,4
<b>X070456</b>	CR II 080.00CR.RB07A Floor-mounted bathtub tap without basic unit, with shower set	80,5x18x22	8,2



# Freedom O Freestanding bathtub



Central drain for comfortable bathing for two



We recommend complementing the bathtub with FM 080.00 floor-mounted bathtub tap



Drain covers are available in chrome, black or white

## Don't limit yourself. Just relax.

Rounded shapes evoke a feeling of safety and promote relaxation. This freestanding bathtub with soft curves provides a natural way to rest.

### Don't miss it

1. The package includes drain covers in chrome, black, and white. The white version is installed.
2. The integrated bathtub overflow prevents the use of an overflow filler.
3. Cannot be complemented with a bath screen.
4. Made of PMMA and reinforced with fibreglass.
5. Legs (support) and waste set included.

Taps → 538

Accessories → 650

Furniture → 458

Washbasins → 388

Shower enclosures → 18

285 l  
VOLUME

47 kg  
WEIGHT

30  
30-YEAR WARRANTY

# Freedom O

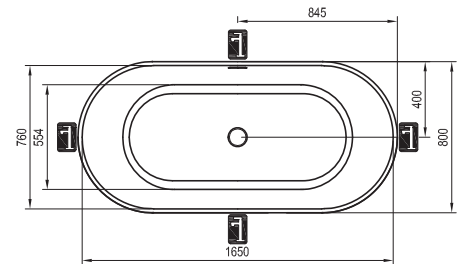
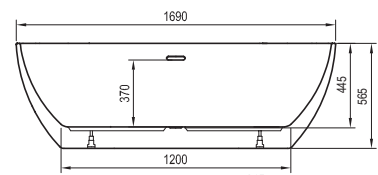
## Bathtub colour



WHITE

Order No.	BATHTUB	Dimensions (mm)	Size of packaging (cm)	Gross weight (kg)
<b>XC00100020</b>	Freedom O bathtub 169x80, freestanding, white, drain cover in white/black/chrome	1690x800x565	178x82x61	47,0

Order No.	RECOMMENDED PRODUCTS	Size of packaging (cm)	Gross weight (kg)
<b>X070424</b>	FM 080.00CR.RB07A Floor-mounted bathtub tap without basic unit, with shower set	90x41x14	8,4
<b>X070456</b>	CR II 080.00CR.RB07A Floor-mounted bathtub tap without basic unit, with shower set	80,5x18x22	8,2



# Freedom Wall

Back-to-wall freestanding bathtub



Drain covers are available in chrome, black or white



Central drain for comfortable bathing for two



We recommend complementing the bathtub with a CR II 026 or PU 026 tap

## Natural fusion

Combining the advantages of freestanding and classic bathtubs, it invites relaxation with its subtle beauty and rounded curves. A wider rim by the wall provides space for everything you need.

### Don't miss it

- 1.** The package includes drain covers in chrome, black, and white. The white version is installed.
- 2.** Legs (support) and waste set included.
- 3.** Cannot be complemented with a bath screen.
- 4.** Made of PMMA and reinforced with fibreglass.

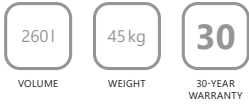
Taps → 538

Accessories → 650

Furniture → 458

Washbasins → 388

Shower enclosures → 18



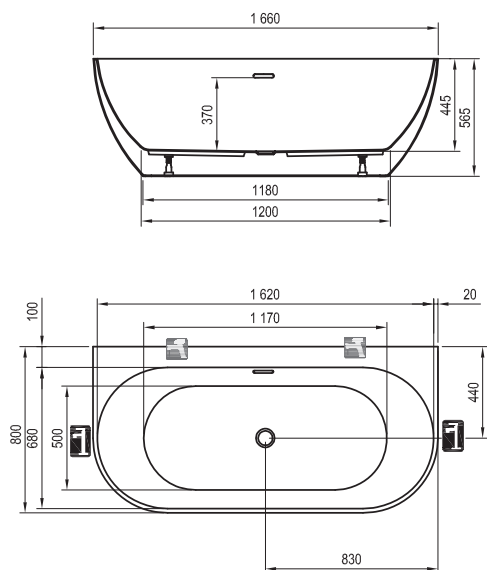
# Freedom W

## Bathtub colour

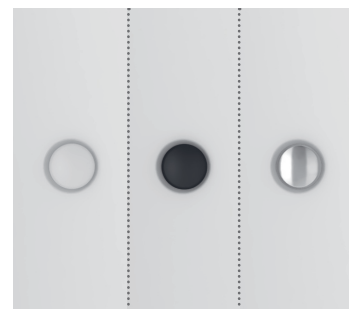


Order No.	BATHTUB	Dimensions (mm)	Size of packaging (cm)	Gross weight (kg)
<b>XC00100024</b>	Freedom Wall bathtub 166x80, freestanding, white, drain cover in white/black/chrome	1660x800x565	178x82x61	45,0
<b>XC00100027</b>	Freedom Wall bathtub 166x80, freestanding, black/white, drain cover in white/black/chrome	1660x800x565	178x82x61	45,0

Order No.	RECOMMENDED PRODUCTS	Size of packaging (cm)	Gross weight (kg)
<b>X070120</b>	FL 026.00CR 4-hole deck-mounted bathtub tap with shower set	48,5x31x7,5	4,8
<b>X070073</b>	CR 025.00CR 4-hole deck-mounted bathtub tap with shower set, waterfall	45x28x12	4,5
<b>X070424</b>	FM 080.00CR.RB07A Floor-mounted bathtub tap without basic unit, with shower set	90x41x14	8,4
<b>X070456</b>	CR II 080.00CR.RB07A Floor-mounted bathtub tap without basic unit, with shower set	80,5x18x22	8,2



# Freedom Corner Freestanding bathtub



Drain covers are available in chrome, black or white



Central drain for comfortable bathing for two



Can be combined with CR II 026 bathtub filling

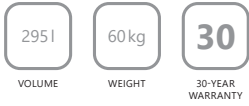
## Elegant corner solution

It combines the advantages of a classic and a freestanding bathtub. The soft lines pleasantly fill the corner space in the bathroom. The wider rim by the wall is suitable for placing items used for relaxation.

### Don't miss it

1. The package includes drain covers in chrome, black, and white. The white version is installed.
2. The integrated bathtub overflow prevents the use of an overflow filler.
3. Cannot be complemented with a bath screen.
4. Made of PMMA and reinforced with fiberglass.
5. Legs (support) and waste set included.

Taps → 538	Accessories → 650	Furniture → 458	Washbasins → 388	Shower enclosures → 18
------------	-------------------	-----------------	------------------	------------------------



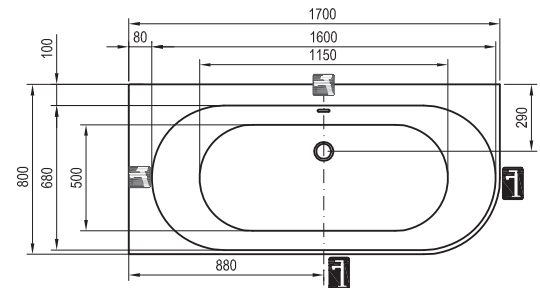
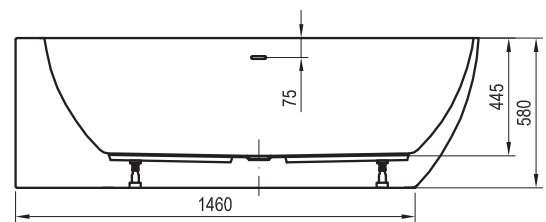
# Freedom Corner

## Bathtub colour

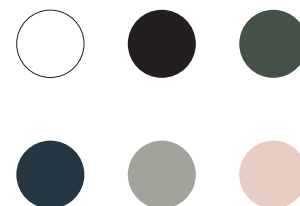


Order No.	BATHTUB	Dimensions (mm)	Size of packaging (cm)	Gross weight (kg)
<b>XC00100041</b>	Freedom Corner bathtub 170x80 L, freestanding, white, drain cover in white/black/chrome	1700x800x580	178x82x61	60,0
<b>XC00100040</b>	Freedom Corner bathtub 170x80 R, freestanding, white, drain cover in white/black/chrome	1700x800x580	178x82x61	60,0

Order No.	RECOMMENDED PRODUCTS	Size of packaging (cm)	Gross weight (kg)
<b>X070587</b>	CR II 026.00CR 4-hole deck-mounted bathtub tap with shower set	48,5x31x7,5	4,3
<b>X070186</b>	PU 026.20BLM 3-hole deck-mounted bathtub tap with shower set	48,5x31x7,5	2,2
<b>X070424</b>	FM 080.00CR.RB07A Floor-mounted bathtub tap without basic unit, with shower set	90x41x14	8,4
<b>X070456</b>	CR II 080.00CR.RB07A Floor-mounted bathtub tap without basic unit, with shower set	80,5x18x22	8,2



# Freedom O Tec Freestanding bathtub



Choose from seven colour options including glossy white and matt white



Large interior space for maximum comfort



We recommend complementing the bathtub with a SG 080.00 floor-mounted bathtub tap

## Relaxation that embraces you

The gently rounded curves of the bathtub create a calming atmosphere in the bathroom. The wide bottom offers a surprisingly spacious interior for maximum comfort and relaxation. Original design by Nosal Design Studio.

### Don't miss it

- 1.** For all bathtub colours, the package includes drain covers in chrome, black, and white. The white version is installed.
- 2.** The legs (supports) and bathtub waste set are included with the bathtub.
- 3.** The integrated bathtub overflow prevents the use of an overflow filler.
- 4.** Made of PMMA and reinforced with fiberglass.

Taps → 538

Accessories → 650

Furniture → 458

Washbasins → 388

Shower enclosures → 18

30

30-YEAR WARRANTY

# Freedom O Tec

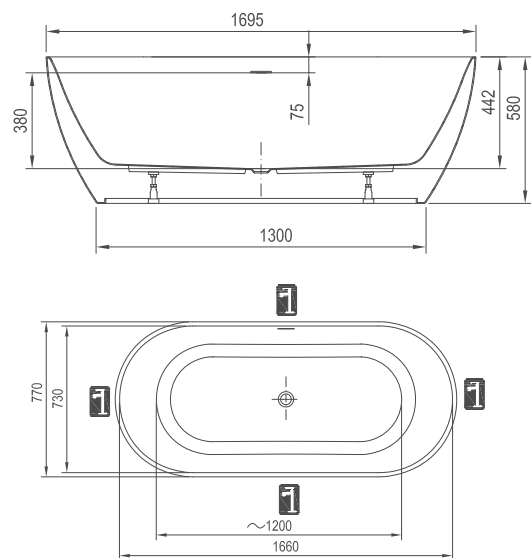
## Bathtub colour



Order No.	BATHTUB	Dimensions (mm)	Size of packaging (cm)	Gross weight (kg)
<b>CC61000000</b>	Freedom O Tec bathtub 170x77, freestanding, white, drain cover in white/black/chrome	1700x770x580	173x80x60,5	42,2
<b>CD91000000</b>	Freedom O Tec bathtub 170x77, freestanding, white, drain cover in white	1700x770x580	173x80x60,5	42,2
<b>CD81000000</b>	Freedom O Tec bathtub 170x77, freestanding, white, drain cover in black	1700x770x580	173x80x60,5	42,2
<b>CD51700000</b>	Freedom O Tec bathtub 170x77, freestanding, black/white, drain cover in white/black/chrome	1700x770x580	173x80x60,5	42,2
<b>CD11200000</b>	Freedom O Tec bathtub 170x77, freestanding, Grey Green/white, drain cover in white/black/chrome	1700x770x580	173x80x60,5	42,2
<b>CD21400000</b>	Freedom O Tec bathtub 170x77, freestanding, Deepsea Blue/white, drain cover in white/black/chrome	1700x770x580	173x80x60,5	42,2
<b>CD31500000</b>	Freedom O Tec bathtub 170x77, freestanding, Smoke Grey/white, drain cover in white/black/chrome	1700x770x580	173x80x60,5	42,2
<b>CD41600000</b>	Freedom O Tec bathtub 170x77, freestanding, Alabaster Pink/white, drain cover in white/black/chrome	1700x770x580	173x80x60,5	42,2
<b>CD61800000</b>	Freedom O Tec bathtub 170x77, freestanding, matt white/white, drain cover in white/black/chrome	1700x770x580	173x80x60,5	42,2

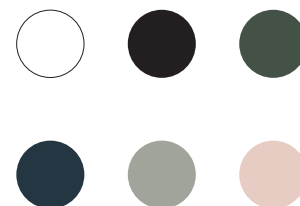
Order No.	RECOMMENDED PRODUCTS	Size of packaging (cm)	Gross weight (kg)
<b>X070578</b>	SG 080.1QWHM.RB07A Floor-mounted bathtub tap without basic unit, with shower set	96x37x14	6,9
<b>X070501</b>	ES 080.20BLM.RB07G Floor-mounted bathtub tap without basic unit, with shower set	127x32x20	12,3
<b>X070277</b>	ES 021.20BLM.O1 Concealed bathtub tap with basic unit	41,3x23x7,4	2,1

170 cm  
77 cm



# Freedom Wall Tec

Back-to-wall freestanding bathtubs



Choose from seven colour options including glossy white and matt white



Innovative back-to-wall design with practical storage space



Perfectly matches deck-mounted bathtub taps

## Innovative design for your space

A bathtub for anyone seeking perfect relaxation, with everything always within reach. Featuring a narrowed upper rim. Original design by Nosal Design Studio.

### Don't miss it

- 1.** For all bathtub colours, the package includes drain covers in chrome, black, and white. The white version is installed.
- 2.** The legs (supports) and bathtub waste set are included with the bathtub.
- 3.** The integrated bathtub overflow prevents the use of an overflow filler.
- 4.** Made of PMMA and reinforced with fiberglass.

Taps → 538

Accessories → 650

Furniture → 458

Washbasins → 388

Shower enclosures → 18

30

30-YEAR WARRANTY

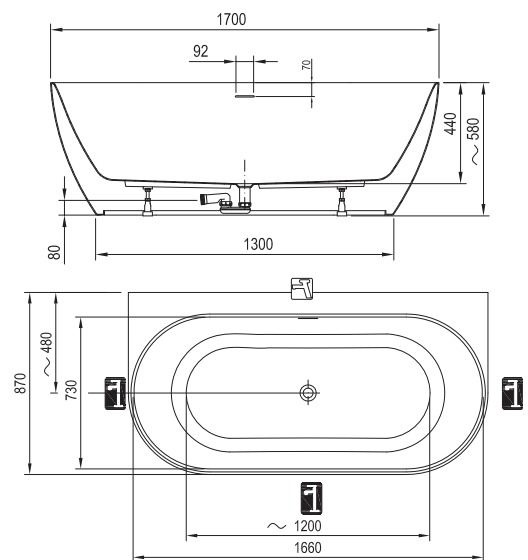
# Freedom Wall Tec

## Bathtub colour



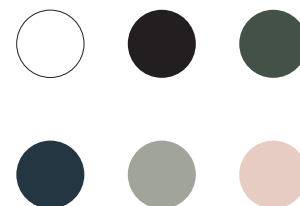
Order No.	BATHTUB	Dimensions (mm)	Size of packaging (cm)	Gross weight (kg)
<b>CE31000000</b>	Freedom Wall Tec bathtub 170x87, freestanding, white, drain cover in white/black/chrome	1700x870x580	173x90x60,5	48,0
<b>CE31A00000</b>	Freedom Wall Tec bathtub 170x87, freestanding, white, drain cover in white	1700x870x580	173x90x60,5	48,0
<b>CE31B00000</b>	Freedom Wall Tec bathtub 170x87, freestanding, white, drain cover in black	1700x870x580	173x90x60,5	48,0
<b>CE31800000</b>	Freedom Wall Tec bathtub 170x87, freestanding, matt white/white, drain cover in white/black/chrome	1700x870x580	173x90x60,5	48,0
<b>CE31700000</b>	Freedom Wall Tec bathtub 170x87, freestanding, black/white, drain cover in white/black/chrome	1700x870x580	173x90x60,5	48,0
<b>CE31200000</b>	Freedom Wall Tec bathtub 170x87, freestanding, Grey Green/white, drain cover in white/black/chrome	1700x870x580	173x90x60,5	48,0
<b>CE31400000</b>	Freedom Wall Tec bathtub 170x87, freestanding, Deepsea Blue/white, drain cover in white/black/chrome	1700x870x580	173x90x60,5	48,0
<b>CE31500000</b>	Freedom Wall Tec bathtub 170x87, freestanding, Smoke Grey/white, drain cover in white/black/chrome	1700x870x580	173x90x60,5	48,0
<b>CE31600000</b>	Freedom Wall Tec bathtub 170x87, freestanding, Alabaster Pink/white, drain cover in white/black/chrome	1700x870x580	173x90x60,5	48,0

Order No.	RECOMMENDED PRODUCTS	Size of packaging (cm)	Gross weight (kg)
<b>X070277</b>	ES 021.20BLM.01 Concealed bathtub tap with basic unit	41,3x23x7,4	2,1
<b>X070569</b>	SG 022.10WHM Wall-mounted bathtub tap without shower set	28x18x10,5	2,2



# Freedom Wall II Tec

Back-to-wall freestanding bathtub



Choose from seven colour options including glossy white and matt white



Innovative back-to-wall design with practical storage space



Perfectly matches deck-mounted bathtub taps

## Innovative design for your space

A freestanding bathtub with a storage area, designed for placement against the wall. A perfect choice for relaxation and comfort. Original design by Nosal Design Studio.

### Don't miss it

- 1.** For all bathtub colours, the package includes drain covers in chrome, black, and white. The white version is installed.
- 2.** The legs (supports) and bathtub waste set are included with the bathtub.
- 3.** The integrated bathtub overflow prevents the use of an overflow filler.
- 4.** Made of PMMA and reinforced with fiberglass.

Taps → 538

Accessories → 650

Furniture → 458

Washbasins → 388

Shower enclosures → 18

30

30-YEAR  
WARRANTY

# Freedom Wall II Tec

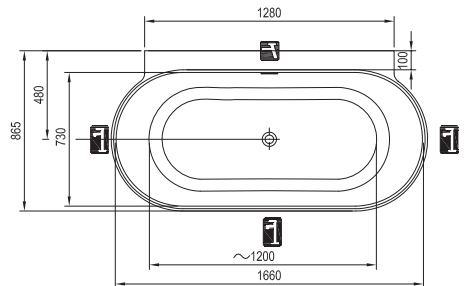
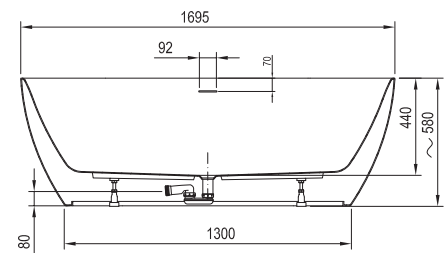
## Bathtub colour



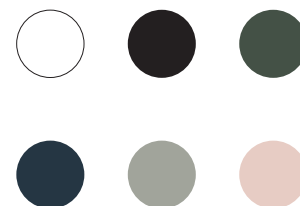
Order No.	BATHTUB	Dimensions (mm)	Size of packaging (cm)	Gross weight (kg)
CC71000000	Freedom Wall II Tec bathtub 170x87, freestanding, white, drain cover in white/black/chrome	1700x870x580	173x90x60,5	48,0
CC71B00000	Freedom Wall II Tec bathtub 170x87, freestanding, white, drain cover in white	1700x870x580	173x90x60,5	48,0
CC71A00000	Freedom Wall II Tec bathtub 170x87, freestanding, white, drain cover in black	1700x870x580	173x90x60,5	48,0
CC71800000	Freedom Wall II Tec bathtub 170x87, freestanding, matt white/white, drain cover in white/black/chrome	1700x870x580	173x90x60,5	48,0
CC71700000	Freedom Wall II Tec bathtub 170x87, freestanding, black/white, drain cover in white/black/chrome	1700x870x580	173x90x60,5	48,0
CC71200000	Freedom Wall II Tec bathtub 170x87, freestanding, Grey Green/white, drain cover in white/black/chrome	1700x870x580	173x90x60,5	48,0
CC71400000	Freedom Wall II Tec bathtub 170x87, freestanding, Deepsea Blue/white, drain cover in white/black/chrome	1700x870x580	173x90x60,5	48,0
CC71500000	Freedom Wall II Tec bathtub 170x87, freestanding, Smoke Grey/white, drain cover in white/black/chrome	1700x870x580	173x90x60,5	48,0
CC71600000	Freedom Wall II Tec bathtub 170x87, freestanding, Alabaster Pink/white, drain cover in white/black/chrome	1700x870x580	173x90x60,5	48,0

Order No.	RECOMMENDED PRODUCTS	Size of packaging (cm)	Gross weight (kg)
X070556	SG 080.20BLM.RB07A Floor-mounted bathtub tap without basic unit, with shower set	96x37x14	6,8
X070500	ES 080.10WV.RB07G Floor-mounted bathtub tap without basic unit, with shower set	127x32x20	12,3

170 cm  
87 cm



# Freedom Corner II Tec Freestanding bathtubs



Choose from seven colour options including glossy white and matt white



Innovative corner bathtub design with practical storage space



Shape symmetry ensures comfort on both sides of the bathtub

## Unique corner bathtub solution

An innovative bathtub that combines the advantages of corner and freestanding designs. The carefully shaped storage area connects elegantly to the walls. Original design by Nosal Design Studio.

### Don't miss it

- 1.** For all bathtub colours, the package includes drain covers in chrome, black, and white. The white version is installed.
- 2.** The legs (supports) and bathtub waste set are included with the bathtub.
- 3.** The integrated bathtub overflow prevents the use of an overflow filler.
- 4.** Made of PMMA and reinforced with fiberglass.

Taps → 538

Accessories → 650

Furniture → 458

Washbasins → 388

Shower enclosures → 18

30

30-YEAR WARRANTY

# Freedom Corner II Tec

## Bathtub colour

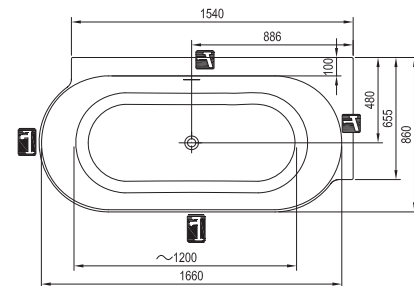
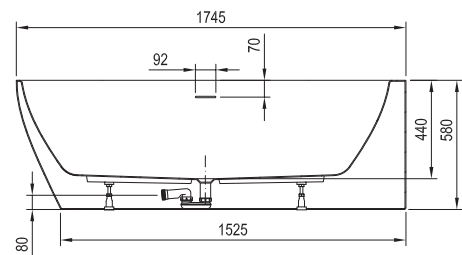


Order No.	BATHTUB	Dimensions (mm)	Size of packaging (cm)	Gross weight (kg)
CC81000000	Freedom Corner II Tec bathtub 175x86 R, freestanding, white, drain cover in white/black/chrome	1745x860x580	179x90x60,5	52,0
CC91000000	Freedom Corner II Tec bathtub 175x86 L, freestanding, white, drain cover in white/black/chrome	1745x860x580	179x90x60,5	52,0
CC81A00000	Freedom Corner II Tec bathtub 175x86 R, freestanding, white, drain cover in white	1745x860x580	179x90x60,5	52,0
CC91A00000	Freedom Corner II Tec bathtub 175x86 L, freestanding, white, drain cover in white	1745x860x580	179x90x60,5	52,0
CC81B00000	Freedom Corner II Tec bathtub 175x86 R, freestanding, white, drain cover in black	1745x860x580	179x90x60,5	52,0
CC91B00000	Freedom Corner II Tec bathtub 175x86 L, freestanding, white, drain cover in black	1745x860x580	179x90x60,5	52,0
CC81700000	Freedom Corner II Tec bathtub 175x86 R, freestanding, black/white, drain cover in white/black/chrome	1745x860x580	179x90x60,5	52,0
CC91700000	Freedom Corner II Tec bathtub 175x86 L, freestanding, black/white, drain cover in white/black/chrome	1745x860x580	179x90x60,5	52,0
CC81800000	Freedom Corner II Tec bathtub 175x86 R, freestanding, matt white/white, drain cover in white/black/chrome	1745x860x580	179x90x60,5	52,0
CC91800000	Freedom Corner II Tec bathtub 175x86 L, freestanding, matt white/white, drain cover in white/black/chrome	1745x860x580	179x90x60,5	52,0
CC81200000	Freedom Corner II Tec bathtub 175x86 R, freestanding, Grey Green/white, drain cover in white/black/chrome	1745x860x580	179x90x60,5	52,0
CC91200000	Freedom Corner II Tec bathtub 175x86 L, freestanding, Grey Green/white, drain cover in white/black/chrome	1745x860x580	179x90x60,5	52,0
CC81400000	Freedom Corner II Tec bathtub 175x86 R, freestanding, Deepsea Blue/white, drain cover in white/black/chrome	1745x860x580	179x90x60,5	52,0
CC91400000	Freedom Corner II Tec bathtub 175x86 L, freestanding, Deepsea Blue/white, drain cover in white/black/chrome	1745x860x580	179x90x60,5	52,0
CC81500000	Freedom Corner II Tec bathtub 175x86 R, freestanding, Smoke Grey/white, drain cover in white/black/chrome	1745x860x580	179x90x60,5	52,0
CC91500000	Freedom Corner II Tec bathtub 175x86 L, freestanding, Smoke Grey/white, drain cover in white/black/chrome	1745x860x580	179x90x60,5	52,0
CC81600000	Freedom Corner II Tec bathtub 175x86 R, freestanding, Alabaster Pink/white, drain cover in white/black/chrome	1745x860x580	179x90x60,5	52,0
CC91600000	Freedom Corner II Tec bathtub 175x86 L, freestanding, Alabaster Pink/white, drain cover in white/black/chrome	1745x860x580	179x90x60,5	52,0

Order No.	RECOMMENDED PRODUCTS	Size of packaging (cm)	Gross weight (kg)
X070569	SG 022.10WHM Wall-mounted bathtub tap without shower set	28x18x10,5	2,2
X070277	ES 021.20BLM.O1 Concealed bathtub tap with basic unit	41,3x23x7,4	2,1

175 cm  
86 cm



Warranty: 30 years. Products are delivered within 14 days as standard.

# City and City Slim Rectangular bathtubs



Also available in Slim design with a rim of just 18 mm



Special bathtub panel available in three colour options



We recommend complementing the bathtub with a CR 025 bathtub tap

## Simply elegant

It doesn't show off its uniqueness, but confidently waits for your attention. Its austerity, quiet confidence, and elegant understatement never tire.

### Don't miss it

1. Legs (support) are not included with the product and must be bought separately.
2. It is necessary to order a waste set (operated by a Bowden cable or Click-Clack system) with a length of 800 mm.
3. A panelkit must be ordered for the universal front U panel, while side panels are supplied with a kit. Panels in wood or white gloss design are supplied with a panelkit included.
4. Can be complemented with bath screens: NVS1, PVS1, BVS1, BVS2, CVS2, VS2, VS3, VS5.
5. Allows the use of taps mounted on the edge of the bathtub (see technical drawing).

Accessories → 360

Bath screens → 364

Taps → 538

Extras → 672

Detergents → 693

220l	25 kg 28 kg	30	5
VOLUME	WEIGHT	30-YEAR WARRANTY	5-YEAR WARRANTY ON PANELS

# City and City Slim

## Bathtub colour



WHITE

## Panel colour



SATIN WOOD

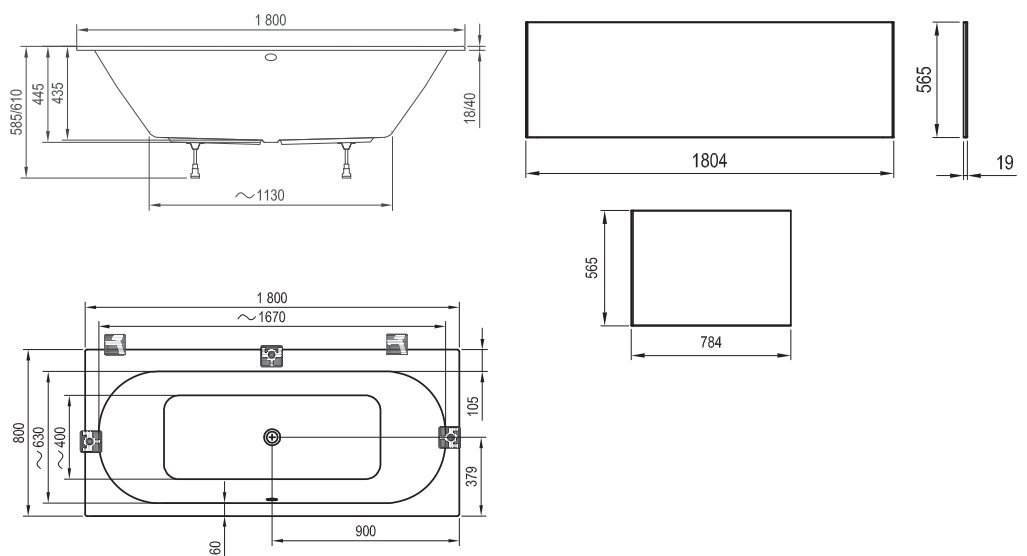


OAK



WHITE

Order No.	BATHTUB	Dimensions (mm)	Size of packaging (cm)	Gross weight (kg)
<b>C920000000</b>	City bathtub 180x80	1800x800x445	185x82x50	27,1
<b>C921300000</b>	City Slim bathtub 180x80	1800x800x445	185x82x50	25,4
Order No.	PANELS AND SUPPORTS	Dimensions (mm)	Size of packaging (cm)	Gross weight (kg)
<b>CY00040000</b>	Universal support 80	---	71x11x5	3,4
<b>X000001059</b>	MDF front panel 180, white	1804x19x565	186x63x5	17,0
<b>X000001060</b>	MDF front panel 180, oak	1804x19x565	186x63x5	17,0
<b>X000001107</b>	MDF front panel 180, satinwood	1804x19x565	186x63x5	21,0
<b>X000001062</b>	MDF side panel 80 L, white	784x19x565	86x63x5	8,0
<b>X000001065</b>	MDF side panel 80 R, white	784x19x565	86x63x5	8,0
<b>X000001063</b>	MDF side panel 80 L, oak	784x19x565	86x63x5	8,0
<b>X000001066</b>	MDF side panel 80 R, oak	784x19x565	86x63x5	8,0
<b>X000001108</b>	MDF side panel 80 L, satinwood	784x19x565	86x63x5	9,0
<b>X000001109</b>	MDF side panel 80 R, satinwood	784x19x565	86x63x5	9,0
Order No.	RECOMMENDED PRODUCTS	Dimensions (mm)	Size of packaging (cm)	Gross weight (kg)
<b>X01505</b>	Bathtub waste set with overflow filling 80 ClickClack S/R, chrome	---	38x9,5x21	0,9
<b>X01472</b>	Bathtub waste set, ClickClack 80 R/R, chrome	---	33x12x22	0,8
<b>7U840A00Z1</b>	BVS1 80	800	69x4x152	26,1
<b>D01000A070</b>	B SET	---	9x12x28	1,6



Warranty: 30 years - The warranty is contingent on the buyer using original RAVAK supports (legs) intended for the given type of bathtub in accordance with the assembly manual! Products are delivered within 14 days as standard.

# Formy 01 and Formy 01 Slim Rectangular bathtubs



Also available in Slim design with a rim of just 18 mm



Part of the Formy 01 concept – matching design for the entire bathroom



We recommend complementing the bathtub with a CR 025 bathtub tap

## Minimalist, yet distinctive

The designer intentionally broke the usual symmetry of rectangular bathtubs by making one edge wider than the other. This gives the bathtub a distinctive look and added functionality.

### Don't miss it

1. Legs (support) are not included with the product and must be bought separately.
2. It is necessary to order a waste set (operated by a Bowden cable or Click-Clack system) with a length of 800 mm.
3. A panelkit must be ordered for the front panel, while side panels are supplied with a kit included.
4. Can be complemented with bath screens: NVS1, PVS1, BVS1, BVS2, CVS2, VS2, VS3, VS5.
5. Allows the use of taps mounted on the edge of the bathtub (see technical drawing).

Accessories → 360

Bath screens → 364

Taps → 538

Extras → 672

Detergents → 693

2031  
2401

VOLUME

24 kg  
29 kg

WEIGHT

30

30-YEAR  
WARRANTY

# Formy 01 and Formy 01 Slim

Bathtub colour



WHITE

Panel colour



WHITE

Order No.	BATHTUB	Dimensions (mm)	Size of packaging (cm)	Gross weight (kg)
<b>C691000000</b>	Formy 01 bathtub 170x75	1700x750x434	175x77x50	23,7
<b>C881000000</b>	Formy 01 bathtub 180x80	1800x800x434	185x82x50	28,8
<b>C691300000</b>	Formy 01 Slim bathtub 170x75	1700x750x434	175x77x50	21,6
<b>C881300000</b>	Formy 01 Slim bathtub 180x80	1800x800x434	185x82x50	26,4

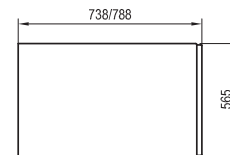
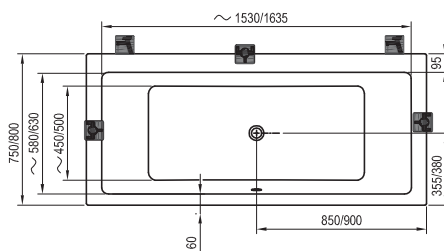
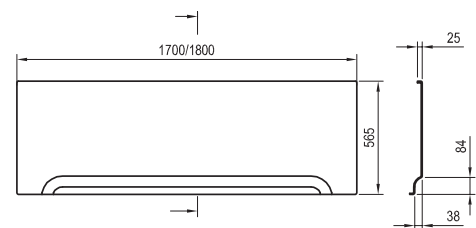
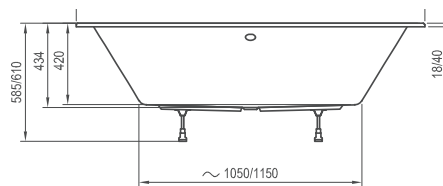
  

Order No.	PANELS AND SUPPORTS	Dimensions (mm)	Size of packaging (cm)	Gross weight (kg)
<b>CY00030000</b>	Universal support 75	---	66x11x5	3,3
<b>CY00040000</b>	Universal support 80	---	71x11x5	3,4
<b>CZ001V0A00</b>	Front panel U 170	1700x45x565	171x3x59	4,7
<b>CZ001Y0A00</b>	Front panel U 180	1800x45x565	180x3x59	5,2
<b>CZ00130A00</b>	Side panel U 75	738x30x565	75x3x59	2,0
<b>CZ00140A00</b>	Side panel U 80	788x30x565	80x3x59	2,1
<b>B23600000N</b>	Front panelkit U	1700x1050x560	51x11x5	1,2
<b>X000001059</b>	MDF front panel 180, white	1804x19x565	186x63x5	17,0
<b>X000001062</b>	MDF side panel 80 L, white	784x19x565	86x63x5	8,0
<b>X000001065</b>	MDF side panel 80 R, white	784x19x565	86x63x5	8,0

Order No.	RECOMMENDED PRODUCTS	Dimensions (mm)	Size of packaging (cm)	Gross weight (kg)
<b>X01505</b>	Bathtub waste set with overflow filling 80 ClickClack S/R, chrome	---	38x9,5x21	0,9
<b>X01506</b>	Bathtub waste set B 80 S/R, chrome	---	38x8,5x14,5	0,8
<b>7UB40A00Z1</b>	BVS1 80	800	69x4x152	26,1
<b>D01000A070</b>	B SET	---	9x12x28	1,6

75 / 80 cm  
170 / 180 cm



Warranty: 30 years - The warranty is contingent on the buyer using original RAVAK supports (legs) intended for the given type of bathtub in accordance with the assembly manual!  
Products are delivered within 14 days as standard.

# Formy 02 and Formy 02 Slim Rectangular bathtubs



Also available in Slim design with a rim of just 18 mm



Part of the Formy 02 concept – matching design for the entire bathroom



We recommend complementing the bathtub with a CR II 080 floor-mounted bathtub tap

## Slight curvature for new dynamics

The familiar shape of rectangular bathtubs was given new energy thanks to gentle curving of the interior lines of one of the rims. The bathtub thus brings a pleasant atmosphere into your bathroom and amplifies the joy of bathing.

### Don't miss it

1. Legs (support) are not included with the product and must be bought separately.
2. It is necessary to order a waste set (operated by a Bowden cable or Click-Clack system) with a length of 800 mm.
3. A panelkit must be ordered for the front panel, while side panels are supplied with a kit included.
4. Can be complemented with bath screens: NVS1, PVS1, BVS1, BVS2, CVS2, VS2, VS3, VS5.

Accessories → 360

Bath screens → 364

Taps → 538

Extras → 672

Detergents → 693

240l	29 kg	27 kg	30	5
VOLUME	WEIGHT	WEIGHT	30-YEAR WARRANTY	5-YEAR WARRANTY ON PANELS

# Formy 02 and Formy 02 Slim

Bathtub colour



WHITE

Panel colour

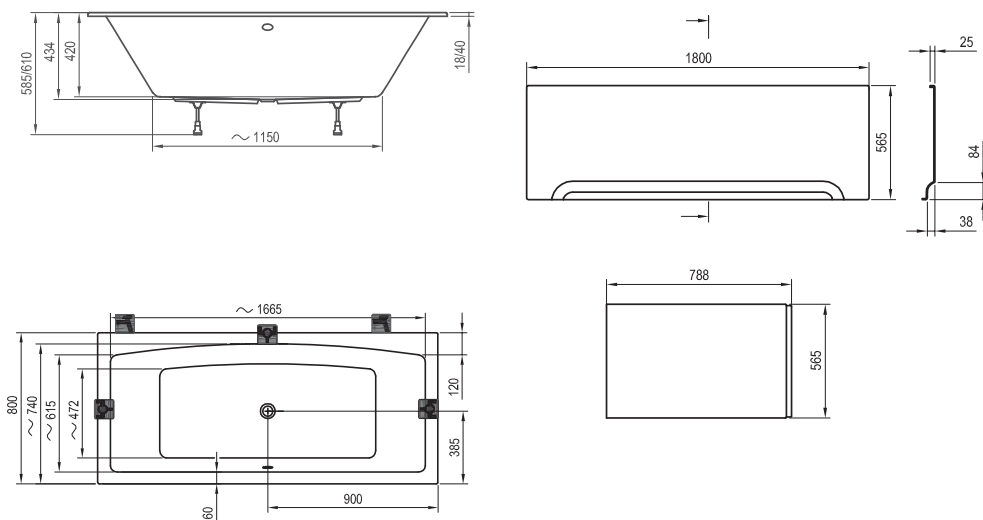


WHITE

Order No.	PANELS AND SUPPORTS	Dimensions (mm)	Size of packaging (cm)	Gross weight (kg)
<b>C891000000</b>	Formy 02 bathtub 180x80	1800x800x434	185x82x50	29,0
<b>C891300000</b>	Formy 02 Slim bathtub 180x80	1800x800x434	185x82x50	26,6
<b>CY00040000</b>	Universal support 80	---	71x11x5	3,4
<b>CZ001Y0A00</b>	Front panel U 180	1800x45x565	180x3x59	5,2
<b>CZ00140A00</b>	Side panel U 80	788x30x565	80x3x59	2,1
<b>B23600000N</b>	Front panelkit U	1700x1050x560	51x11x5	1,2
<b>X000001059</b>	MDF front panel 180, white	1804x19x565	186x63x5	17,0
<b>X000001062</b>	MDF side panel 80 L, white	784x19x565	86x63x5	8,0
<b>X000001065</b>	MDF side panel 80 R, white	784x19x565	86x63x5	8,0

Order No.	RECOMMENDED PRODUCTS	Dimensions (mm)	Size of packaging (cm)	Gross weight (kg)
<b>X01504</b>	Bathtub waste set with overflow filling 80 B S/R, chrome	---	38x9,5x21	1,0
<b>X01506</b>	Bathtub waste set B 80 S/R, chrome	---	38x8,5x14,5	0,8
<b>7U840A00Z1</b>	BVS1 80	800	69x4x152	26,1
<b>D01000A070</b>	B SET	---	9x12x28	1,6

180 cm  
80 cm



Warranty: 30 years - The warranty is contingent on the buyer using original RAVAK supports (legs) intended for the given type of bathtub in accordance with the assembly manual!  
Products are delivered within 14 days as standard.

# 10° and 10° Slim Rectangular bathtubs



Part of the 10° concept – matching design for the whole bathroom



Flat bottom for safe showering

Also available in Slim design with a rim of just 18 mm

## Airy and fresh look

Pleasant fusion of classical shapes and modern design.

### Don't miss it

- 1.** Legs (support) are not included with the product and must be bought separately.
- 2.** It is necessary to order a waste set (operated by a Bowden cable or Click-Clack system) with a length of 570 mm.
- 3.** A panelkit must be ordered for the universal front U panel, while side panels are supplied with a kit. Panels in wood or white gloss design are supplied with a panelkit included.
- 4.** Can be complemented with bath screens: NVS1, PVS1, BVS1, BVS2, CVS2, VS2, VS3, VS5.

Accessories

→ 360

Bath screens

→ 364

Taps

→ 538

Extras

→ 672

Detergents

→ 693

208 l

VOLUME

23 kg  
27 kg

WEIGHT

30

30-YEAR  
WARRANTY

10°

## Bathtub colour



WHITE

## Panel colour



WHITE

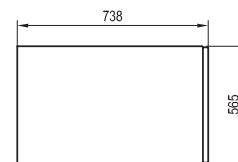
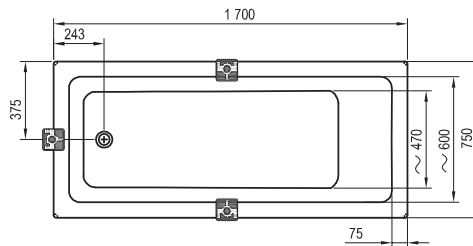
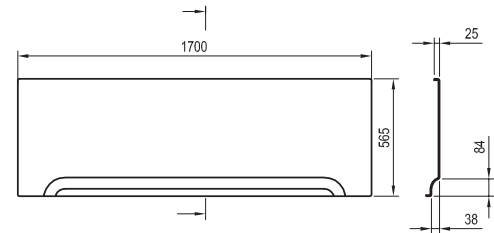
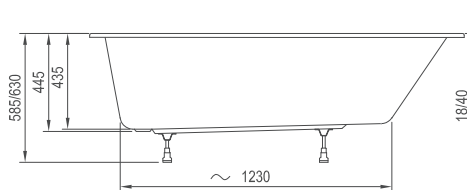
Order No.	BATHTUB	Dimensions (mm)	Size of packaging (cm)	Gross weight (kg)
<b>CA71000000</b>	10° bathtub 170x75	1700x750x445	175x77x50	23,9
<b>CA71300000</b>	10° Slim bathtub 170x75	1700x750x445	175x74x50	22,9

Order No.	PANELS AND SUPPORTS	Dimensions (mm)	Size of packaging (cm)	Gross weight (kg)
<b>CY00030000</b>	Universal support 75	---	66x11x5	3,3
<b>CZ001V0A00</b>	Front panel U 170	1700x45x565	171x3x59	4,7
<b>CZ00130A00</b>	Side panel U 75	738x30x565	75x3x59	2,0
<b>B23600000N</b>	Front panelkit U	1700x1050x560	51x11x5	1,2
<b>X000001695</b>	MDF front panel 170, white	1704x19x565	182,5x61x4,9	17,0
<b>X000001697</b>	MDF side panel 75 L, white	733x19x565	85,5x61,5x4,8	8,0
<b>X000001698</b>	MDF side panel 75 R, white	733x19x565	85,5x61,5x4,8	8,0

Order No.	RECOMMENDED PRODUCTS	Dimensions (mm)	Size of packaging (cm)	Gross weight (kg)
<b>X01377</b>	Bathtub waste set ClickClack 57 R/R, chrome	---	14x8x38	0,7
<b>X01305</b>	Bathtub waste set B 57 R/R, chrome	---	14x8x38	0,8
<b>7U840A00Z1</b>	BVS1 80	800	69x4x152	26,1
<b>D01000A070</b>	B SET	---	9x12x28	1,6

170 cm  
75 cm

# Campanula II Rectangular bathtubs



Central drain for comfortable bathing for two



Can be complemented by a bath screen for comfortable showering

## Romance in a modern approach

Pleasantly rounded edges on both sides of the bathtub and central placement of the drain make bathing for two a seamless experience. Campanula evokes the dream of candle-lit, romantic evenings in a fragrant, relaxing bath.

### Don't miss it

- 1.** Legs (support) are not included with the product and must be bought separately.
- 2.** It is necessary to order a waste set (operated by a Bowden cable or Click-Clack system) with a length of 570 mm.
- 3.** A panelkit must be ordered for the universal front U panel, while side panels are supplied with a kit.
- 4.** Can be complemented with bath screens: NVS1, PVS1, BVS1, BVS2, CVS2.
- 5.** Allows the use of taps mounted on the edge of the bathtub (see technical drawing).

Accessories → 360

Bath screens → 364

Taps → 538

Extras → 672

Detergents → 693

## Bathtub colour



WHITE

## Panel colour



WHITE

Order No.	BATHTUB	Dimensions (mm)	Size of packaging (cm)	Gross weight (kg)
<b>CA21000000</b>	Campanula II bathtub 170x75	1700x750x440	171x76x50	22,6
<b>CB21000000</b>	Campanula II bathtub 180x80	1800x800x440	181x76x50	24,5

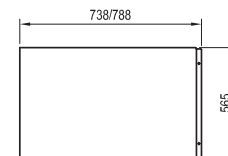
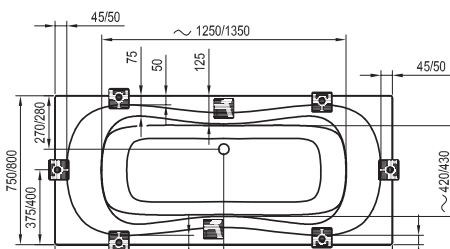
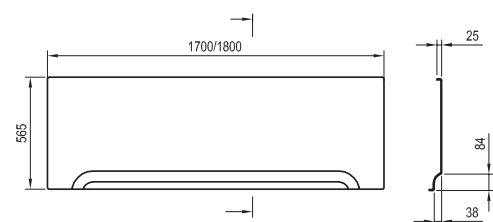
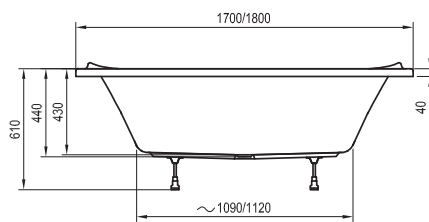
  

Order No.	PANELS AND SUPPORTS	Dimensions (mm)	Size of packaging (cm)	Gross weight (kg)
<b>CY00030000</b>	Universal support 75	---	66x11x5	3,3
<b>CY00040000</b>	Universal support 80	---	71x11x5	3,4
<b>CZ001V0A00</b>	Front panel U 170	1700x45x565	171x3x59	4,7
<b>CZ001Y0A00</b>	Front panel U 180	1800x45x565	180x3x59	5,2
<b>CZ00130A00</b>	Side panel U 75	738x30x565	75x3x59	2,0
<b>CZ00140A00</b>	Side panel U 80	788x30x565	80x3x59	2,1
<b>B23600000N</b>	Front panelkit U	51x11x5	51x11x5	1,2

Order No.	RECOMMENDED PRODUCTS	Dimensions (mm)	Size of packaging (cm)	Gross weight (kg)
<b>X01377</b>	Bathtub waste set ClickClack 57 R/R, chrome	---	14x8x38	0,7
<b>X01305</b>	Bathtub waste set B 57 R/R, chrome	---	14x8x38	0,8
<b>79840C00Z1</b>	PVS1 80	800	77x4x152	19,4
<b>7U840A00Z1</b>	BVS1 80	800	69x4x152	26,1
<b>D01000A070</b>	B SET	---	9x12x28	1,6

170 / 180 cm  
75 / 80 cm



# Chrome and Chrome Slim Rectangular bathtubs



Part of the Chrome concept – matching design for the whole bathroom



Also available in Slim design with a rim of just 18 mm



We recommend complementing the bathtub with the unique CR 022.00 II bathtub tap

## Synergy of design and function

In the Chrome bathtub, the rounded curves of the oval bottom merge with the sleek look of the rectangular exterior. A pleasantly inclined back and perpendicular sides ensure comfortable showering.

### Don't miss it

1. Legs (support) are not included with the product and must be bought separately.
2. It is necessary to order a waste set (operated by a Bowden cable or Click-Clack system) with a length of 570 mm.
3. A panelkit must be ordered for the front panel, while side panels are supplied with a kit.
4. Can be complemented with bath screens: NVS1, PVS1, BVS1, BVS2, CVS2, VS2, VS3, VS5.

Accessories → 360

Bath screens → 364

Taps → 538

Extras → 672

Detergents → 693

185 l  
210 l  
225 l  
VOLUME

21 kg  
23 kg  
25 kg  
WEIGHT

19 kg  
21 kg  
23 kg  
WEIGHT



30  
30-YEAR  
WARRANTY

# Chrome and Chrome Slim

Bathtub colour



Panel colour

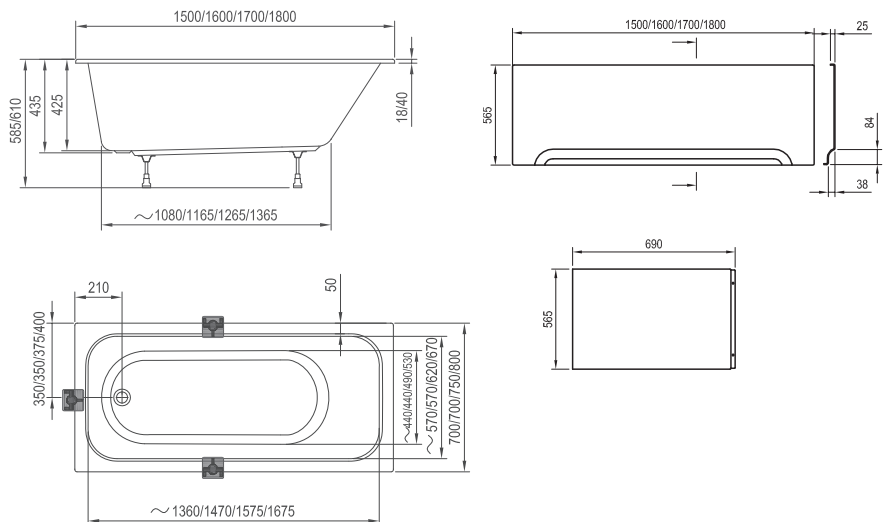
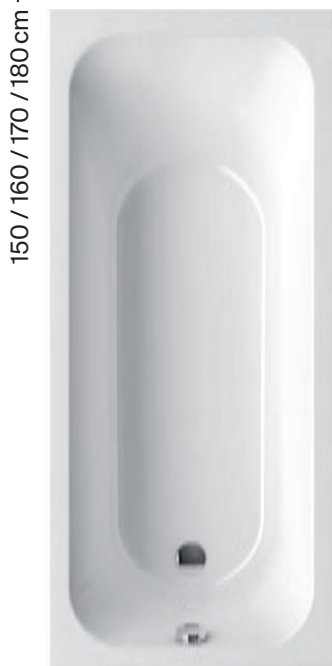


Order No.	BATHTUB	Dimensions (mm)	Size of packaging (cm)	Gross weight (kg)
<b>C721000000</b>	Chrome bathtub 150x70	1500x700x435	151x70x50	20,5
<b>C731000000</b>	Chrome bathtub 160x70	1600x700x435	161x70x50	22,5
<b>C741000000</b>	Chrome bathtub 170x75	1700x750x435	171x75x50	24,8
<b>CE21000000</b>	Chrome bathtub 180x80	1800x800x435	181x80x50	24,5
<b>C721300000</b>	Chrome Slim bathtub 150x70	1500x700x435	151x70x50	18,0
<b>C731300000</b>	Chrome Slim bathtub 160x70	1600x700x435	161x70x50	19,7
<b>C741300000</b>	Chrome Slim bathtub 170x75	1700x750x435	171x75x50	22,3
<b>CE21300000</b>	Chrome Slim bathtub 180x80	1800x800x435	181x80x50	23,1

Order No.	PANELS AND SUPPORTS	Dimensions (mm)	Size of packaging (cm)	Gross weight (kg)
<b>CY00000000</b>	Universal support 70	---	61x11x5	2,8
<b>CY00030000</b>	Universal support 75	---	66x11x5	3,3
<b>CY00040000</b>	Universal support 80	---	71x11x5	3,4
<b>CZ72100A00</b>	Chrome front panel 150	1500x700x565	151x3x59	4,0
<b>CZ73100A00</b>	Chrome front panel 160	1600x700x565	161x3x59	4,2
<b>CZ74100A00</b>	Chrome front panel 170	1700x700x565	171x3x59	4,4
<b>CZ001Y0A00</b>	Front panel U 180	1800x45x565	180x3x59	5,2
<b>CZ72110A00</b>	Chrome side panel 70	660x30x565	70x3x59	1,9
<b>CZ74130A00</b>	Chrome side panel 75	710x30x565	75x3x59	2,0
<b>CZ00140A00</b>	Side panel U 80	788x30x565	80x3x59	2,1
<b>B23600000N</b>	Front panelkit U	1700x1050x560	51x11x5	1,2

Order No.	RECOMMENDED PRODUCTS	Dimensions (mm)	Size of packaging (cm)	Gross weight (kg)
<b>X01377</b>	Bathtub waste set ClickClack 57 R/R, chrome	---	14x8x38	0,7
<b>7QLA0C00Z1</b>	CVS2 100 L	1000	98x6x153	26,8

70 / 75 / 80 cm



Warranty: 30 years - The warranty is contingent on the buyer using original RAVAK supports (legs) intended for the given type of bathtub in accordance with the assembly manual! Products are delivered within 14 days as standard.

# Classic II Rectangular bathtubs



Ideal for showering – flat bottom and steep sides



Part of the Classic concept – matching design for the whole bathroom

## There is beauty in simplicity

Thanks to its subtle, thin sidewalls, this classic bathtub in a modern style provides a comfortable space for both bathing and showering. Also available as a shortened mini-bathtub.

### Don't miss it

1. Legs (support) are not included with the product and must be bought separately.
2. It is necessary to order a waste set (operated by a Bowden cable or Click-Clack system) with a length of 570 mm.
3. A panelkit must be ordered for the universal front U panel, while side panels are supplied with a kit. 120 and 140cm bathtubs do not have a front panel.
4. Can be complemented with bath screens: NVS1, PVS1, BVS1, BVS2, CVS2, VS2, VS3, VS5.
5. Cannot be used together with an overflow filler.

Accessories → 360

Bath screens → 364

Taps → 538

Furniture → 500

Detergents → 693

1251/1801  
1951/2101  
2251

VOLUME

16 / 20  
21 / 22  
24 kg

WEIGHT



CONCEPTS

30

30-YEAR  
WARRANTY

# Classic II

Bathtub colour

Panel colour



WHITE

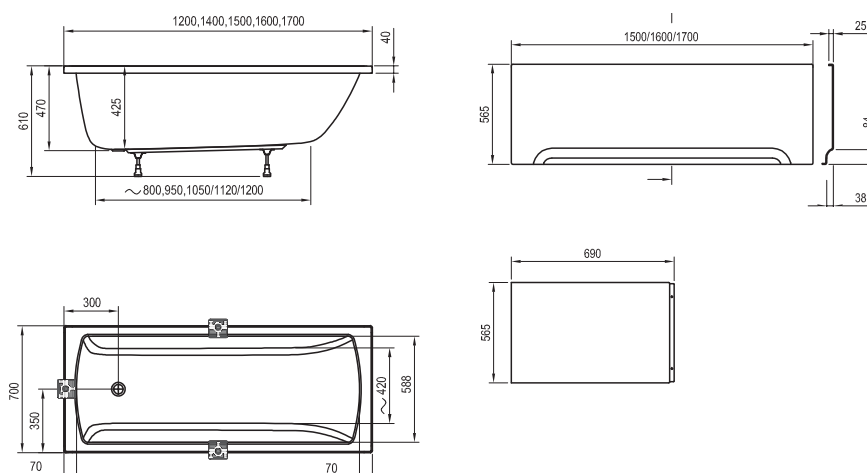
Order No.	BATHTUB	Dimensions (mm)	Size of packaging (cm)	Gross weight (kg)
<b>CC11000000</b>	Classic II bathtub 120x70	1200x700x435	125x72x50	17,0
<b>CC21000000</b>	Classic II bathtub 140x70	1400x700x435	145x72x50	16,0
<b>CC31000000</b>	Classic II bathtub 150x70	1500x700x435	155x72x50	18,2
<b>CC41000000</b>	Classic II bathtub 160x70	1600x700x435	165x72x50	21,2
<b>CC51000000</b>	Classic II bathtub 170x70	1700x700x435	175x72x50	23,0

Order No.	PANELS AND SUPPORTS	Dimensions (mm)	Size of packaging (cm)	Gross weight (kg)
<b>CY00000000</b>	Universal support 70	---	61x11x5	2,8
<b>CZ001P0A00</b>	Front panel U 150	1500x45x565	151x3x59	4,2
<b>CZ001S0A00</b>	Front panel U 160	1600x45x565	161x3x59	4,5
<b>CZ001V0A00</b>	Front panel U 170	1700x45x565	171x3x59	4,7
<b>CZ00110A00</b>	Side panel U 70	690x30x565	70x3x59	1,9
<b>B23600000N</b>	Front panelkit U	1700x1050x560	51x11x5	1,2

Order No.	RECOMMENDED PRODUCTS	Dimensions (mm)	Size of packaging (cm)	Gross weight (kg)
<b>X01377</b>	Bathtub waste set ClickClack 57 R/R, chrome	---	14x8x38	0,7
<b>X01305</b>	Bathtub waste set B 57 R/R, chrome	---	14x8x38	0,8
<b>79840C00Z1</b>	PVS1 80	800	77x4x152	19,4
<b>796M0U00Z1</b>	VS2 105	---	57x5x142	14,5

120 / 140 / 150 / 160 / 170 cm  
70 cm

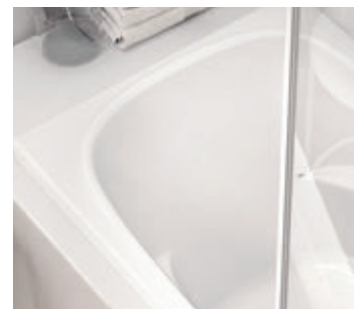
Warranty: 30 years - The warranty is contingent on the buyer using original RAVAK supports (legs) intended for the given type of bathtub in accordance with the assembly manual! Products are delivered within 14 days as standard.

# Vanda II

Rectangular bathtubs



Ideal for showering in the bathtub



Shaped to provide a head rest

## Practical and popular

Characterised by armrests, ideal for reading while bathing and for safer, more comfortable standing up.

### Don't miss it

- 1.** Legs (support) are not included with the product and must be bought separately.
- 2.** It is necessary to order a waste set (operated by a Bowden cable or Click-Clack system) with a length of 570 mm.
- 3.** A panelkit must be ordered for the universal front U panel, while side panels are supplied with a kit.
- 4.** Can be complemented with bath screens: NVS1, PVS1, BVS1, BVS2, CVS2, VS2, VS3, VS5.

Accessories → 360

Bath screens → 364

Taps → 538

Extras → 672

Detergents → 693

165 l  
180 l  
195 l

VOLUME

22 kg  
24 kg  
24 kg

WEIGHT

30

30-YEAR  
WARRANTY

# Vanda II

## Bathtub colour



WHITE

## Panel colour



WHITE

Order No.	BATHTUB	Dimensions (mm)	Size of packaging (cm)	Gross weight (kg)
<b>CO11000000</b>	Vanda II bathtub 150x70	1500x700x440	152x72x50	19,5
<b>CP11000000</b>	Vanda II bathtub 160x70	1600x700x440	162x72x50	23,4
<b>CP21000000</b>	Vanda II bathtub 170x70	1700x700x440	172x72x50	24,2

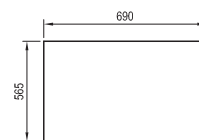
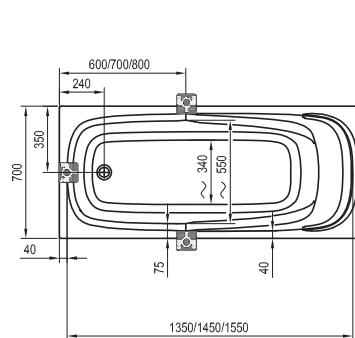
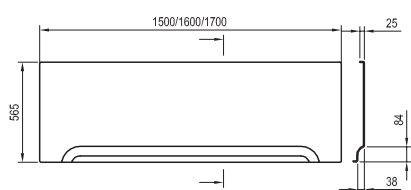
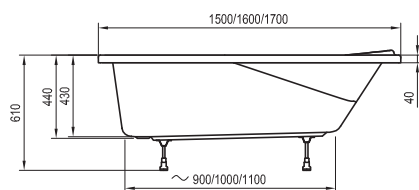
  

Order No.	PANELS AND SUPPORTS	Dimensions (mm)	Size of packaging (cm)	Gross weight (kg)
<b>CY00000000</b>	Universal support 70	---	61x11x5	2,8
<b>CZ001P0A00</b>	Front panel U 150	1500x45x565	151x3x59	4,2
<b>CZ001S0A00</b>	Front panel U 160	1600x45x565	161x3x59	4,5
<b>CZ001V0A00</b>	Front panel U 170	1700x45x565	171x3x59	4,7
<b>CZ00110A00</b>	Side panel U 70	690x30x565	70x3x59	1,9
<b>B23600000N</b>	Front panelkit U	1700x1050x560	51x11x5	1,2

Order No.	RECOMMENDED PRODUCTS	Dimensions (mm)	Size of packaging (cm)	Gross weight (kg)
<b>X01377</b>	Bathtub waste set ClickClack 57 R/R, chrome	---	14x8x38	0,7
<b>X01305</b>	Bathtub waste set B 57 R/R, chrome	---	14x8x38	0,8
<b>796M010041</b>	VS2 105	---	57x5x142	8,2
<b>795P010041</b>	VS3 100	---	37x5x142	8,3

150 / 160 / 170 cm  
70 cm



Warranty: 30 years - The warranty is contingent on the buyer using original RAVAK supports (legs) intended for the given type of bathtub in accordance with the assembly manual! Products are delivered within 14 days as standard.

# LoveStory II

Corner bathtubs



Bathtub for couples

**STORZ**

Unique and original design

## Romance in a modern approach

The only bathtub where you can truly enjoy mutual closeness and comfort.

### Don't miss it

- 1.** Legs (support) are not included with the product and must be bought separately.
- 2.** It is necessary to order a waste set (operated by a Bowden cable or Click-Clack system) with a length of 570 mm.
- 3.** A panelkit must be ordered for the front panel.
- 4.** Cannot be complemented with a bath screen.
- 5.** Allows the use of taps mounted on the edge of the bathtub (see technical drawing).

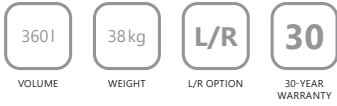
Accessories → 360

Taps → 538

Washbasins → 388

Furniture → 458

Shower enclosures → 18



# LoveStory II

Bathtub colour



Panel colour



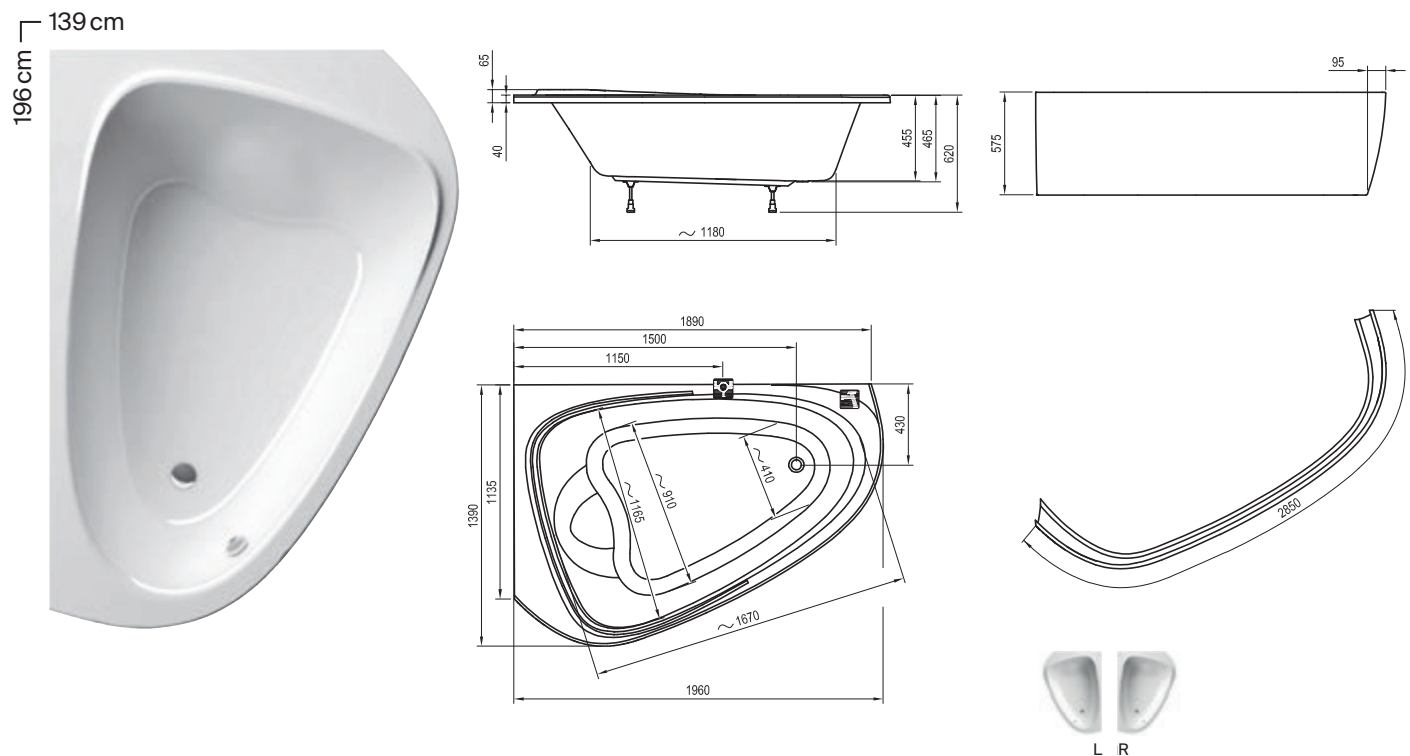
Order No.	BATHTUB	Dimensions (mm)	Size of packaging (cm)	Gross weight (kg)
<b>C751000000</b>	LoveStory II bathtub L	1890x1390x455	50x140x185	37,4
<b>C761000000</b>	LoveStory II bathtub R	1890x1390x455	50x140x185	37,4

Order No.	PANELS AND SUPPORTS	Dimensions (mm)	Size of packaging (cm)	Gross weight (kg)
<b>CY75000000</b>	LoveStory II support	---	110x10x7	4,7
<b>CZ75100A00</b>	LoveStory II panel L	1890x1390x575	3x57x60	8,1
<b>CZ76100A00</b>	LoveStory II panel R	1890x1390x575	3x57x60	8,1
<b>B27500000N</b>	LoveStory II panelkit	---	86x11x7	4,5

Order No.	RECOMMENDED PRODUCTS	Dimensions (mm)	Size of packaging (cm)	Gross weight (kg)
<b>X01440</b>	Bathtub waste set with overflow filling 57 ClickClick S/R, chrome	---	15x11x39	0,8
<b>X01438</b>	Bathtub waste set with overflow filling 57 B S/R, chrome	---	15x11x39	0,9



Warranty: 30 years - The warranty is contingent on the buyer using original RAVAK supports (legs) intended for the given type of bathtub in accordance with the assembly manual! Products are delivered within 14 days as standard.

# NewDay

 Corner bathtubs

Convenient seat



Wider bathtub rims provide additional shelf space

design nosal<sup>©</sup>

Modern and clean lines from an experienced Czech designer

## Modern, clean-lined design for bathing together

Comfortable bathing for two, thanks to the gently sloping backrests and centrally placed drain.

### Don't miss it

- 1.** Legs (support) are not included with the product and must be bought separately.
- 2.** It is necessary to order a waste set (operated by a Bowden cable or Click-Clack system) with a length of 570 mm.
- 3.** A panelkit must be ordered for the front panel.
- 4.** Cannot be complemented with a bath screen.
- 5.** Allows the use of taps mounted on the edge of the bathtub (see technical drawing).

Accessories → 360

Taps → 538

Washbasins → 388

Furniture → 458

Shower enclosures → 18

2351  
2951

VOLUME

29 kg  
34 kg

WEIGHT

30

30-YEAR  
WARRANTY

NewDay

Bathtub colour



WHITE

Panel colour



WHITE

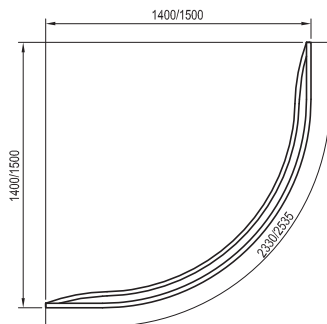
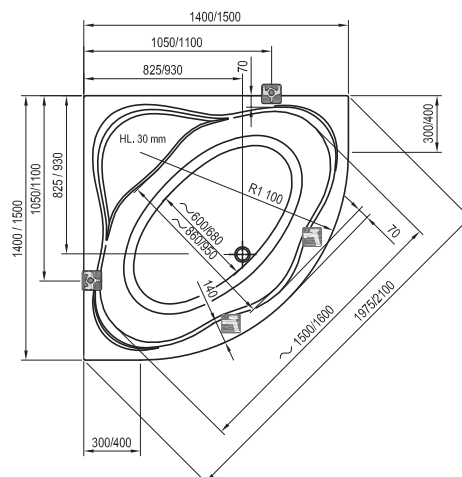
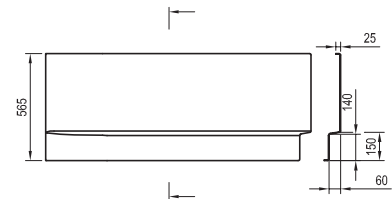
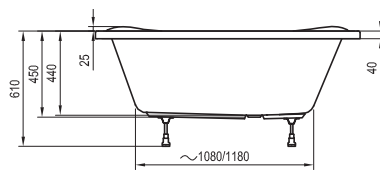
Order No.	BATHTUB	Dimensions (mm)	Size of packaging (cm)	Gross weight (kg)
<b>C651000000</b>	NewDay bathtub 140x140	1400x1400x475	141x141x50	29,0
<b>C661000000</b>	NewDay bathtub 150x150	1500x1500x475	151x151x50	33,5

Order No.	PANELS AND SUPPORTS	Dimensions (mm)	Size of packaging (cm)	Gross weight (kg)
<b>CY65000000</b>	Gentiana, NewDay support	---	88x11x5	6,4
<b>CZF1000ANO</b>	Gentiana, NewDay panel 140	1400x1400x565	5x55x58	7,0
<b>CZG1000ANO</b>	Gentiana, NewDay panel 150	1500x1500x565	5x59x58	7,1
<b>B26500000N</b>	Gentiana, NewDay panelkit	---	55x11x5	1,7

Order No.	RECOMMENDED PRODUCTS	Dimensions (mm)	Size of packaging (cm)	Gross weight (kg)
<b>X01440</b>	Bathtub waste set with overflow filling 57 ClickClack S/R, chrome	---	15x11x39	0,8
<b>X01507</b>	Bathtub waste set B 57 S/R, chrome	---	38x8,5x14,5	0,8
<b>X01377</b>	Bathtub waste set ClickClack 57 R/R, chrome	---	14x8x38	0,7
<b>X01305</b>	Bathtub waste set B 57 R/R, chrome	---	14x8x38	0,8

140 / 150 cm  
140 / 150 cm

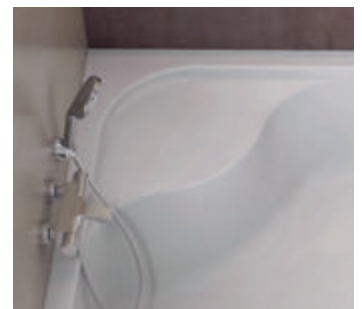
Warranty: 30 years - The warranty is contingent on the buyer using original RAVAK supports (legs) intended for the given type of bathtub in accordance with the assembly manual! Products are delivered within 14 days as standard.

# Gentiana

Corner bathtubs



Convenient seat



Wider bathtub rims provide additional shelf space

## Comfort and space for two

A spacious, wide bathtub designed for maximum bathing comfort.

### Don't miss it

- 1.** Legs (support) are not included with the product and must be bought separately.
- 2.** It is necessary to order a waste set (operated by a Bowden cable or Click-Clack system) with a length of 570 mm.
- 3.** A panelkit must be ordered for the front panel.
- 4.** Cannot be complemented with a bath screen.
- 5.** Allows the use of taps mounted on the edge of the bathtub (see technical drawing).

Accessories → 360

Taps → 538

Washbasins → 388

Furniture → 458

Shower enclosures → 18

## Bathtub colour



WHITE

## Panel colour



WHITE

Order No.	BATHTUB	Dimensions (mm)	Size of packaging (cm)	Gross weight (kg)
<b>CF01000000</b>	Gentiana bathtub 140x140	1400x1400x460	141x141x50	31,0
<b>CG01000000</b>	Gentiana bathtub 150x150	1500x1500x460	151x151x50	35,5

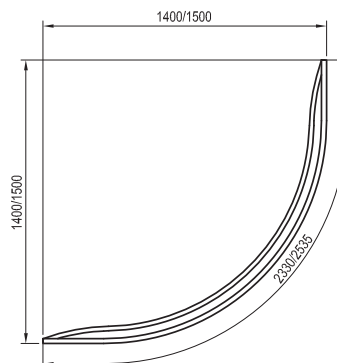
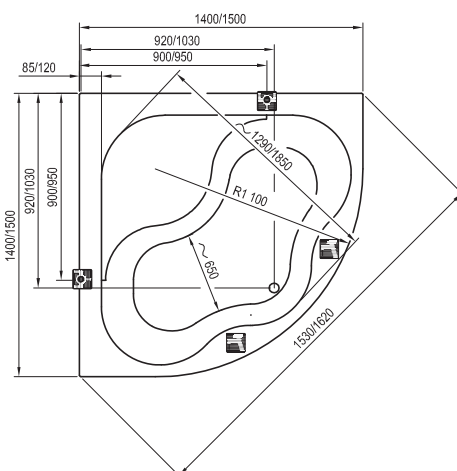
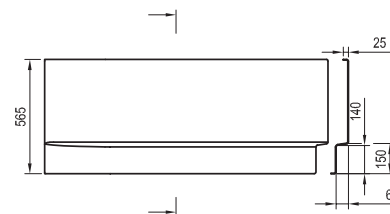
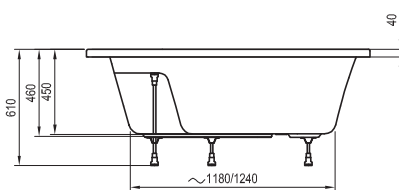
  

Order No.	PANELS AND SUPPORTS	Dimensions (mm)	Size of packaging (cm)	Gross weight (kg)
<b>CY65000000</b>	Gentiana, NewDay support	---	88x11x5	6,4
<b>CZF1000A00</b>	Gentiana, NewDay panel 140	1400x1400x565	5x55x58	7,0
<b>CZG1000A00</b>	Gentiana, NewDay panel 150	1500x1500x565	5x59x58	7,1
<b>B26500000N</b>	Gentiana, NewDay panelkit	---	55x11x5	1,7

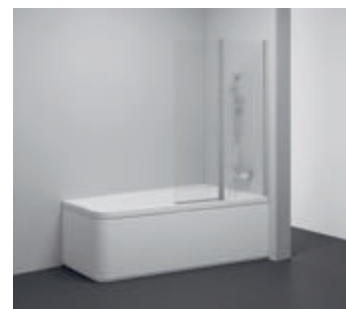
  

Order No.	RECOMMENDED PRODUCTS	Dimensions (mm)	Size of packaging (cm)	Gross weight (kg)
<b>X01440</b>	Bathtub waste set with overflow filling 57 ClickClack S/R, chrome	---	15x11x39	0,8
<b>X01507</b>	Bathtub waste set B 57 S/R, chrome	---	38x8,5x14,5	0,8
<b>X01377</b>	Bathtub waste set ClickClack 57 R/R, chrome	---	14x8x38	0,7
<b>X01305</b>	Bathtub waste set B 57 R/R, chrome	---	14x8x38	0,8

140 / 150 cm  
140 / 150 cm



## 10° Corner bathtubs



The bathtub provides a comfortable showering space when complemented by a bath screen



reddot design award  
winner 2015



DESIGN  
AWARD  
2016



Award-winning design

### Large storage space or seat

Clever rotation by 10° offers plenty of extra space.

#### Don't miss it

- 1.** Legs (support) are not included with the product and must be bought separately.
- 2.** It is necessary to order a waste set (operated by a Bowden cable or Click-Clack system) with a length of 570 mm.
- 3.** A panelkit must be ordered for the front panel (left or right).
- 4.** Can be complemented with the 10CVS2 bath screen.
- 5.** Allows the use of taps mounted on the edge of the bathtub (see technical drawing).

Accessories

→ 360

Bath screens

→ 538

Taps

→ 582

Extras

→ 672

Detergents

→ 693

1801  
2051  
VOLUME

25 kg  
28 kg  
WEIGHT

L/R  
L/R OPTION

30  
30-YEAR  
WARRANTY

10°

Bathtub colour



Panel colour



Order No.	BATHTUB	Dimensions (mm)	Size of packaging (cm)	Gross weight (kg)
<b>C831000000</b>	10° bathtub 160x95 L	1600x950x440	165x97x50	24,9
<b>C841000000</b>	10° bathtub 160x95 R	1600x950x440	165x97x50	24,9
<b>C811000000</b>	10° bathtub 170x100 L	1700x1000x440	175x97x50	27,5
<b>C821000000</b>	10° bathtub 170x100 R	1700x1000x440	175x97x50	27,5

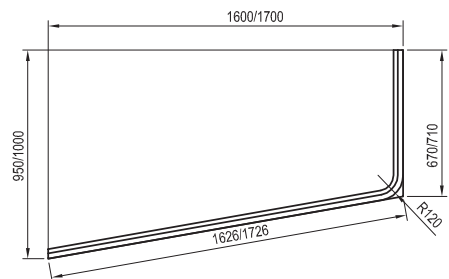
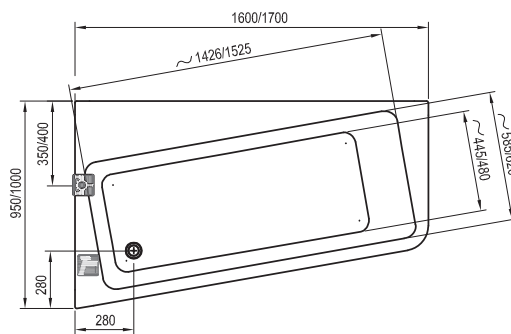
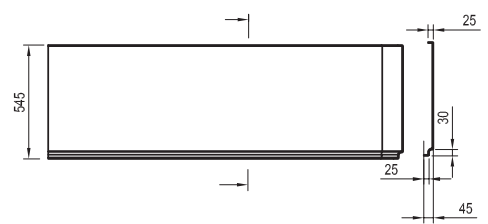
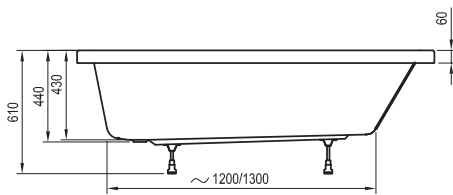
  

Order No.	PANELS AND SUPPORTS	Dimensions (mm)	Size of packaging (cm)	Gross weight (kg)
<b>CY81000000</b>	10°, Chrome support 160/170x105	---	88x11x5	4,2
<b>CZ83100A00</b>	10° front panel 160 L	1600x950x545	162x97x56	6,3
<b>CZ84100A00</b>	10° front panel 160 R	1600x950x545	162x97x56	6,3
<b>CZ81100A00</b>	10° front panel 170 L	1700x1000x545	172x107x56	6,5
<b>CZ82100A00</b>	10° front panel 170 R	1700x1000x545	172x107x56	6,5
<b>B28100000N</b>	10°, BeHappy II, Chrome panelkit	---	72x11x5	1,5

Order No.	RECOMMENDED PRODUCTS	Dimensions (mm)	Size of packaging (cm)	Gross weight (kg)
<b>X01377</b>	Bathtub waste set ClickClack 57 R/R, chrome	---	14x8x38	0,7
<b>X01305</b>	Bathtub waste set B 57 R/R, chrome	---	14x8x38	0,8
<b>7QLA0C03Z1</b>	10CVS2 100 L	1000	98x6x153	26,9
<b>7QRA0C03Z1</b>	10CVS2 100 R	1000	98x6x153	26,9

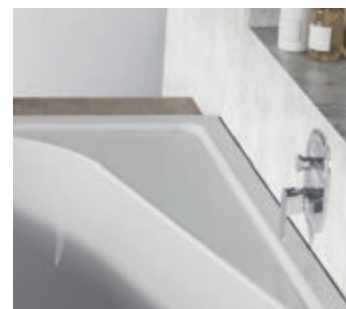
160 / 170 cm  
95 / 100 cm



Warranty: 30 years - The warranty is contingent on the buyer using original RAVAK supports (legs) intended for the given type of bathtub in accordance with the assembly manual! Products are delivered within 14 days as standard.

# Chrome

Corner bathtubs



The corner of the bathtub offers plenty of much needed extra shelf space



Slightly rotated lying area provides a view of the bathroom



Recommended in combination with the Chrome concealed tap and overflow filler

## Large storage space or seat

Part of the Chrome concept – matching design for the entire bathroom.

### Don't miss it

- 1.** Legs (support) are not included with the product and must be bought separately.
- 2.** It is necessary to order a waste set (operated by a Bowden cable or Click-Click system) with a length of 570 mm.
- 3.** A panelkit must be ordered for the front panel (left or right).
- 4.** Cannot be complemented with a bath screen.
- 5.** Allows the use of taps mounted on the edge of the bathtub (see technical drawing).

Accessories → 360

Taps → 596

Washbasins → 426

Furniture → 484

Extras → 680

1951  
2251

VOLUME

25 kg  
27 kg

WEIGHT



CONCEPTS

L/R

L/R OPTION

30

30-YEAR  
WARRANTY**Chrome**

Bathtub colour



WHITE

Panel colour



WHITE

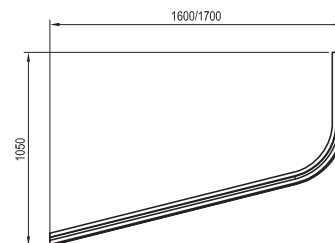
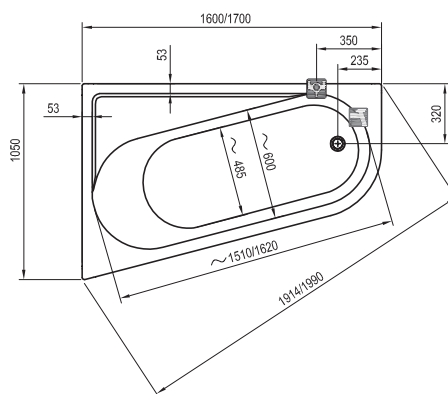
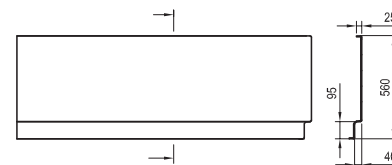
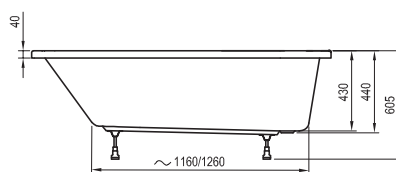
Order No.	BATHTUB	Dimensions (mm)	Size of packaging (cm)	Gross weight (kg)
<b>CA51000000</b>	Chrome bathtub 160x105 L	1600x1050x440	165x107x48	22,6
<b>CA61000000</b>	Chrome bathtub 160x105 R	1600x1050x440	165x107x48	22,6
<b>CA31000000</b>	Chrome bathtub 170x105 L	1700x1050x440	175x107x48	27,0
<b>CA41000000</b>	Chrome bathtub 170x105 R	1700x1050x440	175x107x48	27,0

Order No.	PANELS AND SUPPORTS	Dimensions (mm)	Size of packaging (cm)	Gross weight (kg)
<b>CY81000000</b>	10°, Chrome support 160/170x105	---	88x11x5	4,2
<b>CZA5100A00</b>	Chrome panel 160x105 L	1600x1050x560	162x107x55	6,2
<b>CZA6100A00</b>	Chrome panel 160x105 R	1600x1050x560	162x107x55	6,2
<b>CZA3100A00</b>	Chrome panel 170x105 L	1700x1050x560	172x107x55	6,5
<b>CZA4100A00</b>	Chrome panel 170x105 R	1700x1050x560	172x107x55	6,4
<b>B28100000N</b>	10°, BeHappy II, Chrome panelkit	---	72x11x5	1,5

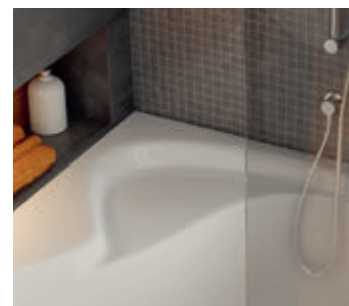
  

Order No.	RECOMMENDED PRODUCTS	Dimensions (mm)	Size of packaging (cm)	Gross weight (kg)
<b>X01377</b>	Bathtub waste set ClickClack 57 R/R, chrome	---	14x8x38	0,7
<b>X01305</b>	Bathtub waste set B 57 R/R, chrome	---	14x8x38	0,8
<b>7QLA0C03Z1</b>	10CVS2 100 L	1000	98x6x153	26,9
<b>7QRA0C03Z1</b>	10CVS2 100 R	1000	98x6x153	26,9

160 / 170 cm  
105 cm

Warranty: 30 years - The warranty is contingent on the buyer using original RAVAK supports (legs) intended for the given type of bathtub in accordance with the assembly manual! Products are delivered within 14 days as standard.

# Rosa II Corner bathtubs



Convenient seat

**STORZ**

Part of the Rosa concept – matching design for the whole bathroom

Design from a renowned car design studio

## Spacious shower enclosure and comfortable bathtub in one

The shower section of the bathtub features a flat, wide bottom and an integrated seat, providing a safe and spacious area when combined with a bath screen. The bathing section includes a gently sloping backrest for comfortable reclining.

### Don't miss it

1. Legs (support) are not included with the product and must be bought separately.
2. It is necessary to order a waste set (operated by a Bowden cable or Click-Clack system) with a length of 570 mm.
3. A panelkit must be ordered for the front panel (left or right).
4. Can be complemented with the CVSK1 or VSK2 bath screen.
5. Allows the use of taps mounted on the edge of the bathtub (see technical drawing).

Accessories → 360

Bath screens → 364

Taps → 538

Extras → 672

Detergents → 693

2101  
2351  
2601

VOLUME

26 kg  
29 kg  
32 kg

WEIGHT

L/R

L/R OPTION

30

30-YEAR  
WARRANTY

# Rosa II

## Bathtub colour



WHITE

## Panel colour



WHITE

Order No.	BATHTUB	Dimensions (mm)	Size of packaging (cm)	Gross weight (kg)
<b>CK21000000</b>	Rosa II bathtub 150x105 L	1500x1050x465	152x105x50	26,0
<b>CJ21000000</b>	Rosa II bathtub 150x105 R	1500x1050x465	152x105x50	26,0
<b>CM21000000</b>	Rosa II bathtub 160x105 L	1600x1050x465	162x105x50	28,5
<b>CL21000000</b>	Rosa II bathtub 160x105 R	1600x1050x465	161x105x50	28,5
<b>C221000000</b>	Rosa II bathtub 170x105 L	1700x1050x465	172x105x50	31,5
<b>C421000000</b>	Rosa II bathtub 170x105 R	1700x1050x465	172x105x50	31,5

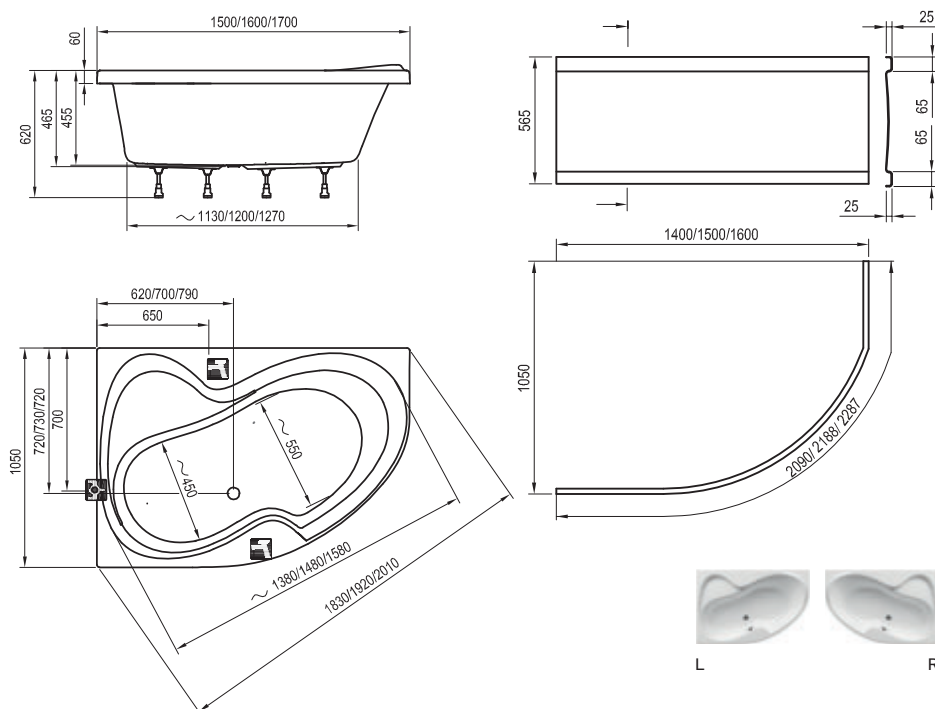
  

Order No.	PANELS AND SUPPORTS	Dimensions (mm)	Size of packaging (cm)	Gross weight (kg)
<b>CY55000000</b>	Rosa universal support	---	88x11x5	4,4
<b>CZK1200ANO</b>	Rosa II panel 150 L	1500x1050x555	3x48x60	6,3
<b>CZJ1200ANO</b>	Rosa II panel 150 R	1500x1050x555	3x48x60	6,3
<b>CZM1200ANO</b>	Rosa II panel 160 L	1600x1050x555	3x52x60	6,6
<b>CZL1200ANO</b>	Rosa II panel 160 R	1600x1050x555	3x52x60	6,6
<b>CZ21200ANO</b>	Rosa II panel 170 L	1700x1050x555	3x56x60	6,8
<b>CZ41200ANO</b>	Rosa II panel 170 R	1700x1050x555	3x56x60	6,8
<b>B23000100N</b>	Rosa universal panelkit	---	72x11x5	3,3

Order No.	RECOMMENDED PRODUCTS	Dimensions (mm)	Size of packaging (cm)	Gross weight (kg)
<b>X01305</b>	Bathtub waste set B 57 R/R, chrome	---	14x8x38	0,8
<b>X01438</b>	Bathtub waste set with overflow filling 57 B S/R, chrome	---	15x11x39	0,9
<b>7QLMOC00Y1</b>	CVSK1 Rosa 140/150 L	---	84x5x156	25,7
<b>76LB0100Z1</b>	VSK2 Rosa 150 L	---	48x8x153	13,6

150 / 160 / 170 cm  
105 cm



Warranty: 30 years - The warranty is contingent on the buyer using original RAVAK supports (legs) intended for the given type of bathtub in accordance with the assembly manual! Products are delivered within 14 days as standard.

# Rosa 95 Corner bathtubs



Slimmed-down 95 cm version, also suitable for smaller bathrooms



Convenient seat

Part of the Rosa concept – matching design for the whole bathroom

## Spacious shower enclosure and comfortable bathtub in one

The shower section of the bathtub features a flat, wide bottom and an integrated seat, providing a safe and spacious area when combined with a bath screen. The bathing section includes a gently sloping backrest for comfortable reclining.

### Don't miss it

1. Legs (support) are not included with the product and must be bought separately.
2. It is necessary to order a waste set (operated by a Bowden cable or Click-Clack system) with a length of 570 mm.
3. A panelkit must be ordered for the front panel (left or right).
4. Can be complemented with the CVSK1 or VSK2 bath screen.
5. Allows the use of taps mounted on the edge of the bathtub (see technical drawing).

Accessories → 360

Bath screens → 364

Taps → 538

Extras → 672

Detergents → 693

1751  
2001

VOLUME

24 kg  
26 kg

WEIGHT

L/R

L/R OPTION

30

30-YEAR  
WARRANTY**Rosa 95**

Bathtub colour



WHITE

Panel colour



WHITE

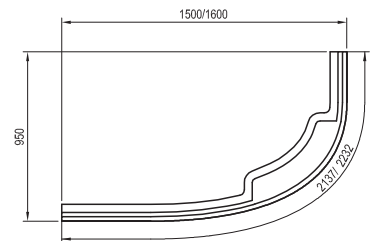
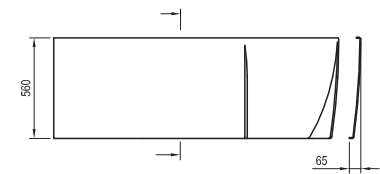
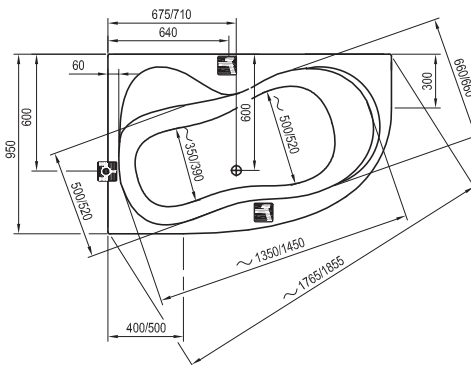
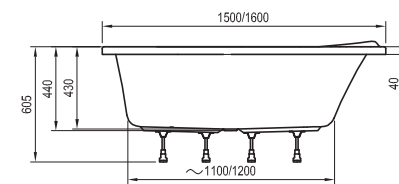
Order No.	BATHTUB	Dimensions (mm)	Size of packaging (cm)	Gross weight (kg)
<b>C551000000</b>	Rosa 95 bathtub 150x95 L	1500x950x440	151x95x50	24,0
<b>C561000000</b>	Rosa 95 bathtub 150x95 R	1500x950x440	153x95x50	24,0
<b>C571000000</b>	Rosa 95 bathtub 160x95 L	1600x950x440	163x95x50	26,0
<b>C581000000</b>	Rosa 95 bathtub 160x95 R	1600x950x440	163x95x50	26,0

Order No.	PANELS AND SUPPORTS	Dimensions (mm)	Size of packaging (cm)	Gross weight (kg)
<b>CY55000000</b>	Rosa universal support	---	88x11x5	4,4
<b>CZ55100A00</b>	Rosa 95 panel 150 L	1500x950x560	3x48x59	6,0
<b>CZ56100A00</b>	Rosa 95 panel 150 R	1500x950x560	3x48x59	6,0
<b>CZ57100A00</b>	Rosa 95 panel 160 L	1600x950x560	3x51x59	6,1
<b>CZ58100A00</b>	Rosa 95 panel 160 R	1600x950x560	3x51x59	6,1
<b>B23000100N</b>	Rosa universal panelkit	---	72x11x5	3,3

Order No.	RECOMMENDED PRODUCTS	Dimensions (mm)	Size of packaging (cm)	Gross weight (kg)
<b>X01305</b>	Bathtub waste set B 57 R/R, chrome	---	14x8x38	0,8
<b>X01438</b>	Bathtub waste set with overflow filling 57 B S/R, chrome	---	15x11x39	0,9
<b>7QLMOC00Y1</b>	CVSK1 Rosa 140/150 L	---	84x5x156	25,7
<b>76L8010041</b>	VSK2 Rosa 150 L	---	48x8x153	6,7

150 / 160 cm  
95 cm

L

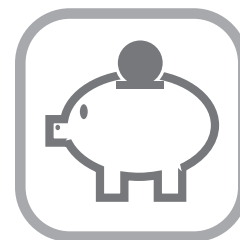


R

Warranty: 30 years - The warranty is contingent on the buyer using original RAVAK supports (legs) intended for the given type of bathtub in accordance with the assembly manual! Products are delivered within 14 days as standard.

# Rosa I

Corner bathtubs



Great price-to-performance ratio



Convenient seat

Part of the Rosa concept – matching design for the whole bathroom

## Spacious shower enclosure and comfortable bathtub in one

The shower section of the bathtub features a flat, wide bottom and an integrated seat, providing a safe and spacious area when combined with a bath screen. The bathing section includes a gently sloping backrest for comfortable reclining.

### Don't miss it

- 1.** Legs (support) are not included with the product and must be bought separately.
- 2.** It is necessary to order a waste set (operated by a Bowden cable or Click-Clack system) with a length of 570 mm.
- 3.** A panelkit must be ordered for the front panel (left or right).
- 4.** Can be complemented with the CVS K1 or VSK2 bath screen.
- 5.** Allows the use of taps mounted on the edge of the bathtub (see technical drawing).

Accessories → 360

Bath screens → 364

Taps → 538

Extras → 672

Detergents → 693

210l  
235l  
260l

VOLUME

23 kg  
27 kg  
29 kg

WEIGHT

L/R

L/R OPTION

30

30-YEAR  
WARRANTY

# Rosa I

Bathtub colour



WHITE

Panel colour



WHITE

Order No.	BATHTUB	Dimensions (mm)	Size of packaging (cm)	Gross weight (kg)
<b>CI01000000</b>	Rosa bathtub 140x105 L	1400x1050x470	143x107x50	23,0
<b>CV01000000</b>	Rosa bathtub 140x105 R	1400x1050x470	143x107x50	23,0

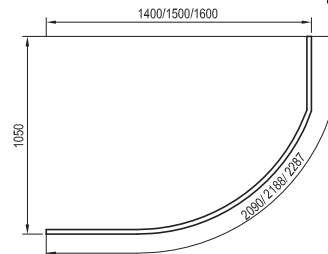
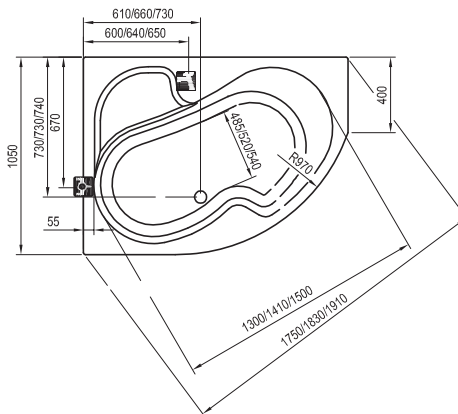
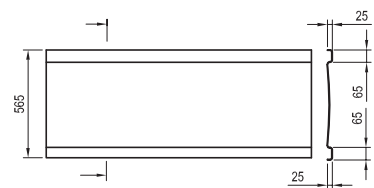
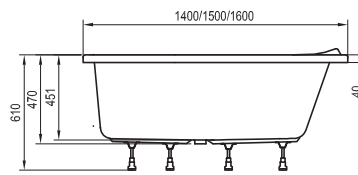
  

Order No.	PANELS AND SUPPORTS	Dimensions (mm)	Size of packaging (cm)	Gross weight (kg)
<b>CY55000000</b>	Rosa universal support	---	88x11x5	4,4
<b>CZH1000A00</b>	Rosa panel 140	1400x1050x565	3x49x59	6,2
<b>B23000100N</b>	Rosa universal panelkit	---	72x11x5	3,3

Order No.	RECOMMENDED PRODUCTS	Dimensions (mm)	Size of packaging (cm)	Gross weight (kg)
<b>X01377</b>	Bathtub waste set ClickClack 57 R/R, chrome	---	14x8x38	0,7
<b>X01440</b>	Bathtub waste set with overflow filling 57 ClickClack S/R, chrome	---	15x11x39	0,8
<b>7QLM0U00Y1</b>	CVSK1 Rosa 140/150 L	---	84x5x156	25,7
<b>76P70100Z1</b>	VSK2 Rosa 140 R	---	46x8x153	13,2

140 cm  
105 cm



Warranty: 30 years - The warranty is contingent on the buyer using original RAVAK supports (legs) intended for the given type of bathtub in accordance with the assembly manual! Products are delivered within 14 days as standard.

# Avocado Corner bathtubs



Bathtub with washbasin on the surface of a classic bathtub



Washbasin in matching design with plenty of shelf space

**STORZ**

Design from a renowned car design studio

## Maximum comfort even in a confined space

Comfortable and economical right where you need it.

### Don't miss it

- 1.** Legs (support) are not included with the product and must be bought separately.
- 2.** It is necessary to order a waste set (operated by a Bowden cable or Click-Clack system) with a length of 570 mm.
- 3.** A panelkit must be ordered for the front panel (left or right).
- 4.** Cannot be complemented with a bath screen.
- 5.** Cannot be used together with an overflow filler.

Accessories → 360

Taps → 538

Washbasins → 450

Furniture → 458

Shower enclosures → 18

## Bathtub colour



## Panel colour



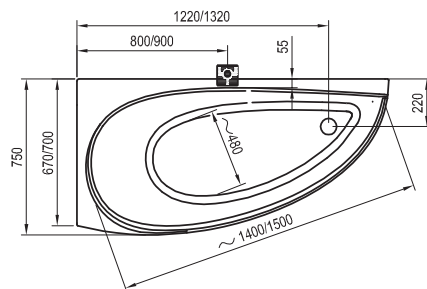
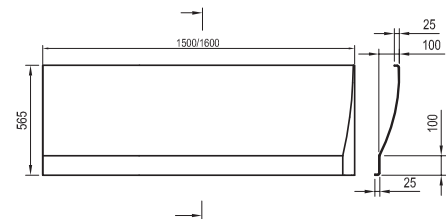
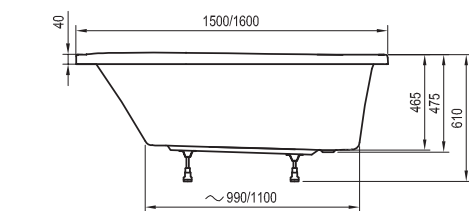
Order No.	BATHTUB	Dimensions (mm)	Size of packaging (cm)	Gross weight (kg)
<b>CT01000000</b>	Avocado bathtub 150 L	1500x750x475	152x77x50	19,5
<b>CS01000000</b>	Avocado bathtub 150 R	1500x750x475	152x77x50	19,5
<b>CQ01000000</b>	Avocado bathtub 160 L	1600x750x475	162x77x50	21,5
<b>CH01000000</b>	Avocado bathtub 160 R	1600x750x475	162x77x50	21,5

Order No.	PANELS AND SUPPORTS	Dimensions (mm)	Size of packaging (cm)	Gross weight (kg)
<b>CYS0000000</b>	Avocado support	---	62x11x5	3,5
<b>CZT1000A00</b>	Avocado panel 150 L	1500x750x565	4x32x60	5,3
<b>CZS1000A00</b>	Avocado panel 150 R	1500x750x565	4x32x60	5,3
<b>CZQ1000A00</b>	Avocado panel 160 L	1600x750x565	4x36x60	6,2
<b>CZI1000A00</b>	Avocado panel 160 R	1600x750x565	4x36x60	6,2
<b>B28000000N</b>	Avocado panelkit	---	49x11x5	1,3

Order No.	RECOMMENDED PRODUCTS	Dimensions (mm)	Size of packaging (cm)	Gross weight (kg)
<b>X01305</b>	Bathtub waste set B 57 R/R, chrome	---	14x8x38	0,8
<b>X01377</b>	Bathtub waste set ClickClack 57 R/R, chrome	---	14x8x38	0,7



# BeHappy II Corner bathtubs



A bathtub with washbasin within the space for a classic bathtub



Precisely proportioned three-piece screen for comfortable showering

Part of the BeHappy II concept – matching design for the entire bathroom

## The most space-efficient solution for a modern bathroom

On the space of a classic bathtub, you can bathe and shower comfortably, and wash your hands too.

### Don't miss it

- 1.** Legs (support) are not included with the product and must be bought separately.
- 2.** It is necessary to order a waste set (operated by a Bowden cable or Click-Clack system) with a length of 570 mm. Cannot be used together with an overflow filler.
- 3.** A panelkit must be ordered for the front panel.
- 4.** Can be complemented with the VS3 100 bath screen (for bathtubs 150–160 cm) and the VS3 115 bath screen (for bathtubs 170 cm).
- 5.** Be sure to correctly differentiate between the left- and right-hand variants – see the drawing.

Accessories → 360

Bath screens → 538

Taps → 388

Extras → 458

BeHappy washbasin → 18

1851  
2001  
2151

VOLUME

22 kg  
24 kg  
25 kg

WEIGHT

L/R

L/R OPTION

30

30-YEAR  
WARRANTY

## BeHappy II

Bathtub colour



WHITE

Panel colour



WHITE

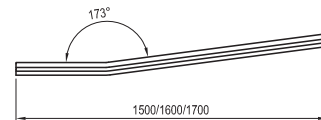
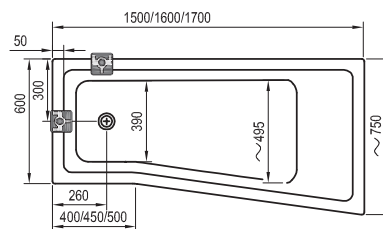
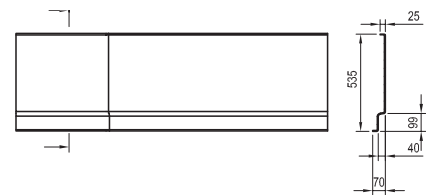
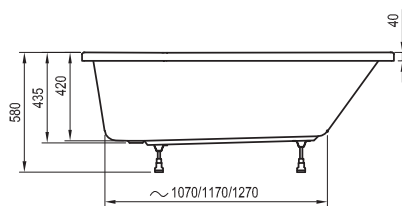
Order No.	BATHTUB	Dimensions (mm)	Size of packaging (cm)	Gross weight (kg)
<b>C981000000</b>	BeHappy II bathtub 150x75 L	1500x750x435	155x77x48	20,8
<b>C991000000</b>	BeHappy II bathtub 150x75 R	1500x750x435	155x77x48	20,8
<b>C961000000</b>	BeHappy II bathtub 160x75 L	1600x750x435	165x77x48	21,4
<b>C971000000</b>	BeHappy II bathtub 160x75 R	1600x750x435	165x77x48	21,4
<b>C941000000</b>	BeHappy II bathtub 170x75 L	1700x750x435	175x77x48	21,4
<b>C951000000</b>	BeHappy II bathtub 170x75 R	1700x750x435	175x77x48	21,4

Order No.	PANELS AND SUPPORTS	Dimensions (mm)	Size of packaging (cm)	Gross weight (kg)
<b>CY94000000</b>	BeHappy II support	---	66x11x5	3,6
<b>CZ98100A00</b>	BeHappy II front panel 150 L	1500x750x535	152x77x56	4,4
<b>CZ99100A00</b>	BeHappy II front panel 150 R	1500x750x535	152x77x56	4,2
<b>CZ96100A00</b>	BeHappy II front panel 160 L	1600x750x535	162x77x56	4,7
<b>CZ97100A00</b>	BeHappy II front panel 160 R	1600x750x535	162x77x56	4,7
<b>CZ94100A00</b>	BeHappy II front panel 170 L	1700x750x535	172x77x56	4,9
<b>CZ95100A00</b>	BeHappy II front panel 170 R	1700x750x535	172x77x56	4,9
<b>B28100000N</b>	10°, BeHappy II, Chrome panelkit	---	72x11x5	1,5









Order No.	RECOMMENDED PRODUCTS	Dimensions (mm)	Size of packaging (cm)	Gross weight (kg)
<b>X01377</b>	Bathtub waste set ClickClack 57 R/R, chrome	---	14x8x38	0,7
<b>795P0100Z1</b>	VS3 100	---	37x5x142	14,1
<b>795P0U00Z1</b>	VS3 100	---	37x5x142	14,1
<b>795S0100Z1</b>	VS3 115	---	42x5x142	16,0



Warranty: 30 years - The warranty is contingent on the buyer using original RAVAK supports (legs) intended for the given type of bathtub in accordance with the assembly manual! Products are delivered within 14 days as standard.




# ravak® Bathtub accessories

## Bathtub overflow filler

	Name	Order No.	Amount per package
	Bathtub waste set with overflow filling 57 B S/R, chrome	X01438	1
	Bathtub waste set with overflow filling 57 B S/R, white	X01954	1
	Bathtub waste set with overflow filling 57 B S/R, black	X01956	1
	Bathtub waste set with overflow filling 80 B S/R, chrome	X01504	1
	Bathtub waste set with overflow filling 80 B S/R, white	X01955	1
	Bathtub waste set with overflow filling 80 B S/R, black	X01957	1
	Bathtub waste set with overflow filling 57 ClickClack S/R, chrome	X01440	1
	Bathtub waste set with overflow filling 80 ClickClack S/R, chrome	X01505	1






# ravak® Bathtub accessories

## Classic bathtub waste traps with overflow












	Name	Order No.	Amount per package
	Bathtub waste set B 57 R/R, chrome	X01305	1
	Bathtub waste set B 57 R/R, matt white	X01843	1
	Bathtub waste set B 57 R/R, black	X01745	1
	Bathtub waste set B 57 R/R, Graphite Brushed	X01844	1
	Bathtub waste set B 57 R/R, Rose Gold Brushed	X01845	1
	Bathtub waste set B 80 R/R, chrome	X01318	1
	Bathtub waste set B 80 R/R, matt white	X01847	1
	Bathtub waste set B 80 R/R, black	X01846	1
	Bathtub waste set B 80 R/R, Graphite Brushed	X01848	1
	Bathtub waste set B 80 R/R, Rose Gold Brushed	X01849	1

## ravak® Bathtub accessories

### Classic bathtub waste traps with overflow

	Name	Order No.	Amount per package
	Bathtub waste set B 57 S/R, chrome	X01507	1
	Bathtub waste set B 80 S/R, chrome	X01506	1
	Bathtub waste set ClickClack 57 R/R, chrome	X01377	1
	Bathtub waste set, ClickClack 80 R/R, chrome	X01472	1
	Bathtub waste set ClickClack 57 R/R, black	X01746	1

## Cover strips

	Name	Order No.	Amount per package	
<p>Seals joints of up to 6 mm. It can be complemented with a set containing 2 end caps (L/R) and 2 corner connectors.</p>		Cover strip 0.6/110, white	XB441100001	1
		Cover strip 0.6/200, white	XB442000001	1
<p>Includes 2 end caps (L/R) and 2 corner connectors.</p>		Cover strip set 0.6, white	B440000001	1
<p>Seals joints of up to 10 mm and can be complemented with an end cap. Corners can be created by cutting at a 45° angle.</p>		Cover strip 1.0/110, white	XB451100001	1
		Cover strip 1.0/200, white	XB452000001	1
		Cover strip end cap 1.0, white	XB430001001	1
<p>Seals joints of up to 11 mm. It can be complemented with a set containing 2 end caps (L/R) and 2 corner connectors.</p>		Cover strip 1.1/110, white	XB461100001	1
		Cover strip 1.1/200, white	XB462000001	1
<p>Includes 2 end caps (L/R) and 2 corner connectors.</p>		Cover strip set 1.1, white	B460000001	1
	RAVAK Professional silicone sealant 310 ml, white	X01200	1	
	RAVAK Professional silicone sealant 310 ml, transparent	X01201	1	

# Bath screens





**GLASS PROTECTION**  
The glass is protected by RAVAK AntiCalc® surface treatment technology.



**Comfortable showering in a bathtub**

Bath screens ensure showering while standing is comfortable.

**Keep the bathroom dry**

Bath screens prevent water from splashing onto the floor, keeping the bathroom dry and safe after a shower. A bathtub with a bath screen or doors is appreciated not only by adults but especially by children, who love splashing around.

**Modern design and quality materials**

Refined manufacturing processes and material from the best suppliers guarantee our products are of the highest quality.

**Wide range**

The widest range of products on the market – for rectangular and corner bathtubs, with various opening or folding options, and a wide selection of panels.

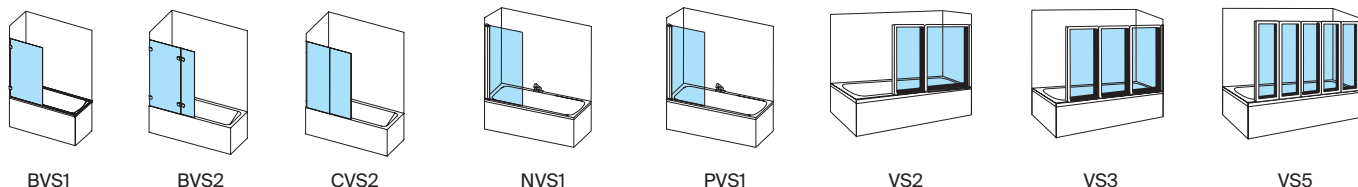
**Very simple to install**

Installing a bath screen is very simple and can be done by almost anyone. It is secured with just a few screws into the wall, making it possible to fit even in an existing bathroom.

**Atypical solution**

We are also able to produce all bath screens in atypical sizes and designs tailored to your needs.

Bath screens and doors



Bath screens for rectangular bathtubs > 366

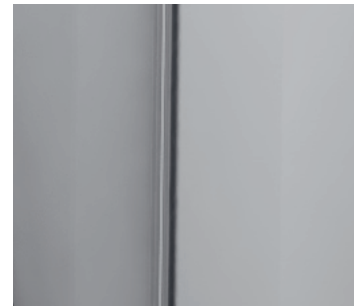


Bath screens for corner bathtubs > 382

**BVS1** One-piece fixed bath screen



Chrome-plated brass clamps



Perfect watertightness

**Clean, modern design**

Just glass and chrome – nothing to disturb the beauty of your bathroom.

**Don't miss it**

- 1.** To get a complete product, it is necessary to order both parts: the glass panel and the B SET BVS1.
- 2.** Suitable for all rectangular bathtubs.
- 3.** The bath screen is not foldable.
- 4.** BVS1 height - 1500 mm. Can be made in non-standard sizes and with non-standard panels.

Bathtubs → 302

Taps → 538

Shower enclosures → 18

Washbasins → 388

Furniture → 458



GLASS THICKNESS



LIFESPAN TEST 30 YEARS



L/R OPTION 180°



GLASS PROTECTION ANTICALC

# BVS1

## Finish

## Standard panel material



TRANSPARENT

## Non-standard panel material



MATELUX



MATRIX



GRAPHITE

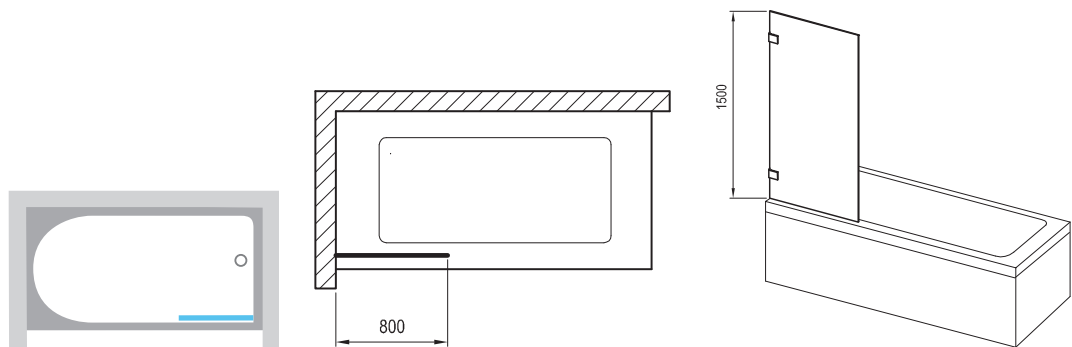


TRANSPARENT

Height  
1500 mm

Order No.	Type	Frame	Panel	Product dimensions (mm)	Size of packaging (cm)	Gross weight (kg)
<b>7U840A00Z1</b>	BVS1 80	-	transparent	800	69x4x152	26,1
<b>D01000A070</b>	B SET	chrome	-	---	9x12x28	1,6

Products are delivered within 14 days as standard.



# **BVS2** Two-piece bath screen



Classic, robust chrome-plated hinges



High-quality chrome-plated clamps with perfect watertightness

### **Clean, modern design**

Just glass and chrome – nothing to disturb the beauty of your bathroom.

#### **Don't miss it**

- 1.** To get a complete product, it is necessary to order both parts: the glass panel and the B SET BVS2 (left- or right-hand design).
- 2.** Suitable for all rectangular bathtubs. The tempered glass is 8 mm thick in the fixed section and 6 mm in the movable section.
- 3.** The movable section of the bath screen opens outwards.
- 4.** BVS2 height - 1500 mm. Can be made in non-standard sizes and with non-standard panels.
- 5.** Left- and right-hand version.

Bathtubs → 302

Taps → 538

Shower enclosures → 18

Washbasins → 388

Furniture → 458



GLASS THICKNESS



LIFESPAN TEST 30 YEARS



L/R OPTION



LIFTING MECHANISM



GLASS PROTECTION ANTICALC

# BVS2

Finish

Standard panel material

Non-standard panel material

Height 1500 mm



TRANSPARENT



MATELUX



MATRIX



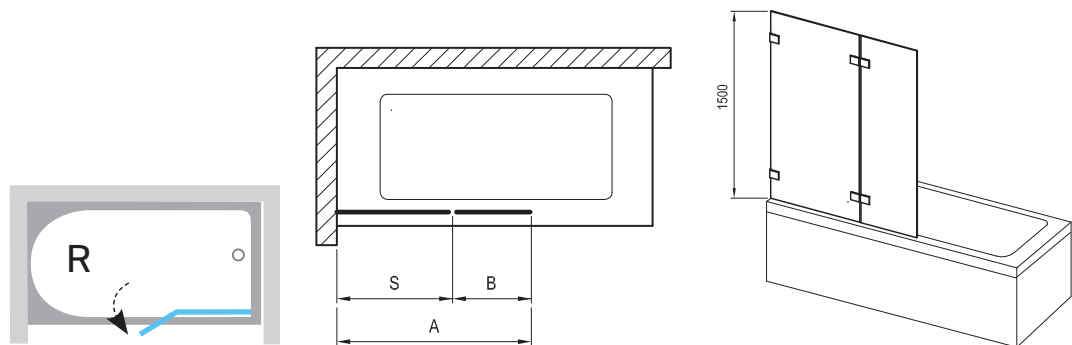
GRAPHITE



TRANSPARENT

Order No.	Type	Frame	Panel	Dimensions (mm)			Size of packaging (cm)	Gross weight (kg)
				„A“	„B“	„S“		
<b>7ULA0A00Z1</b>	BVS2 100 L	-	transparent	995-1005	300	700	69x4x152	32,8
<b>D01000A072</b>	B SET	chrome	-				9x12x28	2,8
<b>7UPA0A00Z1</b>	BVS2 100 R	-	transparent	995-1005	300	700	69x4x152	32,8
<b>D01000A071</b>	B SET	chrome	-				9x12x28	2,8

Products are delivered within 14 days as standard.



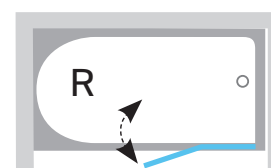
# CVS2 Two-piece movable bath screen



Perfect watertightness



Practical rotating column



The screen can open both inwards and outwards

## Elegant and practical

Modern bath screen with a practical outer panel that can be moved in or out to facilitate both bathtub access and cleaning.

### Don't miss it

- 1.** The package also includes a design screen support bar.
- 2.** Suitable for all rectangular bathtubs.
- 3.** The movable section of the bath screen can open both inwards and outwards.
- 4.** CVS2 height - 1500 mm. Can be made in non-standard sizes and with non-standard panels.
- 5.** Left- and right-hand version.

Bathtubs → 302

Taps → 538

Shower enclosures → 18

Washbasins → 388

Furniture → 458



GLASS THICKNESS



L/R OPTION



LIFTING MECHANISM



GLASS PROTECTION ANTICALC



CONCEPTS

# CVS2

### Finish



BRIGHT ALU



SATIN



MATT WHITE



BLACK

### Standard panel material



TRANSPARENT

### Non-standard panel material



GRAPHITE



GRAPE



MATELUX

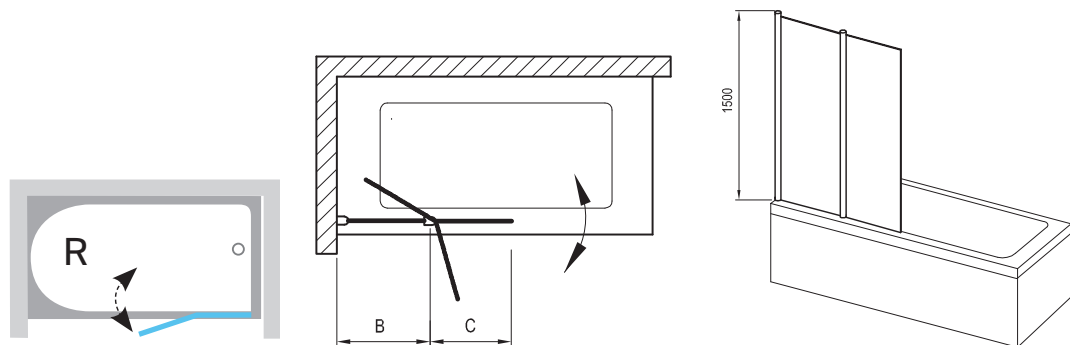


MATRIX

Height  
1500 mm

Order No.	Type	Frame	Panel	Dimensions (mm)		Size of packaging (cm)	Gross weight (kg)
				„B“	„C“		
<b>7QLA0U00Z1</b>	CVS2 100 L	satin	transparent	539	461	98x6x153	26,8
<b>7QLA0C00Z1</b>	CVS2 100 L	bright alu	transparent	539	461	98x6x153	26,8
<b>7QLA0E00Z1</b>	CVS2 100 L	matt white	transparent	539	461	98x6x153	26,8
<b>7QLA0300Z1</b>	CVS2 100 L	black	transparent	539	461	98x6x153	26,8
<b>7QRA0U00Z1</b>	CVS2 100 R	satin	transparent	539	461	98x6x153	26,8
<b>7QRA0C00Z1</b>	CVS2 100 R	bright alu	transparent	539	461	98x6x153	26,8
<b>7QRA0E00Z1</b>	CVS2 100 R	matt white	transparent	539	461	98x6x153	26,8
<b>7QRA0300Z1</b>	CVS2 100 R	black	transparent	539	461	98x6x153	26,8

Products are delivered within 14 days as standard.



# NVS1 One-piece fixed bath screen



Perfect watertightness



Easy to maintain – no hard-to-reach areas

## Clean, modern design

Minimal metal profiles and plenty of pure glass.

### Don't miss it

1. The bath screen is not foldable.
2. Suitable for all rectangular bathtubs.
3. Left- and right-hand version.

Bathtubs → 302

Taps → 538

Shower enclosures → 18

Washbasins → 388

Furniture → 458



GLASS THICKNESS



L/R OPTION 180°



GLASS PROTECTION ANTICALC

# NVS1

## Finish



BRIGHT ALU



SATIN



MATT WHITE



BLACK

## Standard panel material



TRANSPARENT



GRAPE



MATELUX



MATRIX

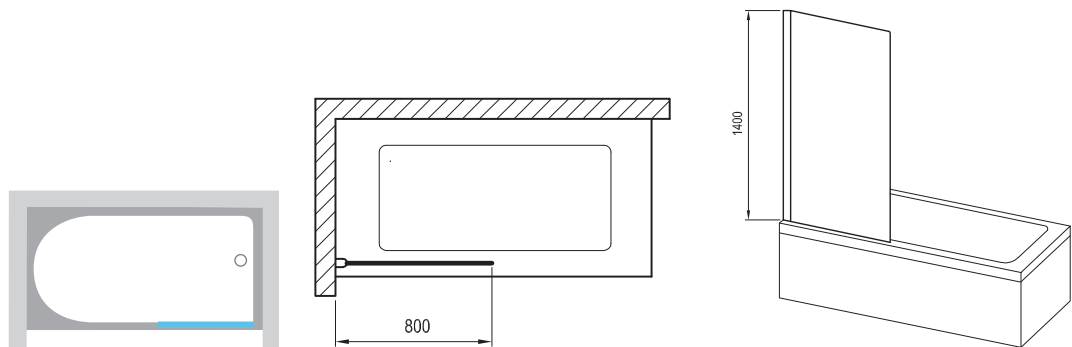


TRANSPARENT

Height  
1400 mm

Order No.	Type	Frame	Panel	Product dimensions (mm)	Size of packaging (cm)	Gross weight (kg)
<b>70840E00Z1</b>	NVS1 80	matt white	transparent	800-825	81x4x143	20,3
<b>70840300Z1</b>	NVS1 80	black	transparent	800-825	81x4x143	20,3
<b>70840C00Z1</b>	NVS1 80	bright alu	transparent	800-825	81x4x143	20,3
<b>70840U00Z1</b>	NVS1 80	satın	transparent	800-825	81x4x143	20,3

Products are delivered within 14 days as standard.



**PVS1** One-piece fixed bath screen



Perfect watertightness



Easy to maintain – no hard-to-reach areas

**Clean, modern design**

Minimal metal profiles and plenty of pure glass.

**Don't miss it**

- 1.** The bath screen is not foldable.
- 2.** Suitable for all rectangular bathtubs.
- 3.** PVS1 height - 1400 mm.
- 4.** Can be made in non-standard sizes and with non-standard panels.

Bathtubs → 302

Taps → 538

Shower enclosures → 18

Washbasins → 388

Furniture → 458



GLASS THICKNESS



L/R OPTION 180°



GLASS PROTECTION ANTICALC

# PVS1

## Finish



BRIGHT ALU



SATIN



WHITE



BLACK

## Standard panel material



TRANSPARENT

## Non-standard panel material



MATELUX



MATRIX



GRAPE

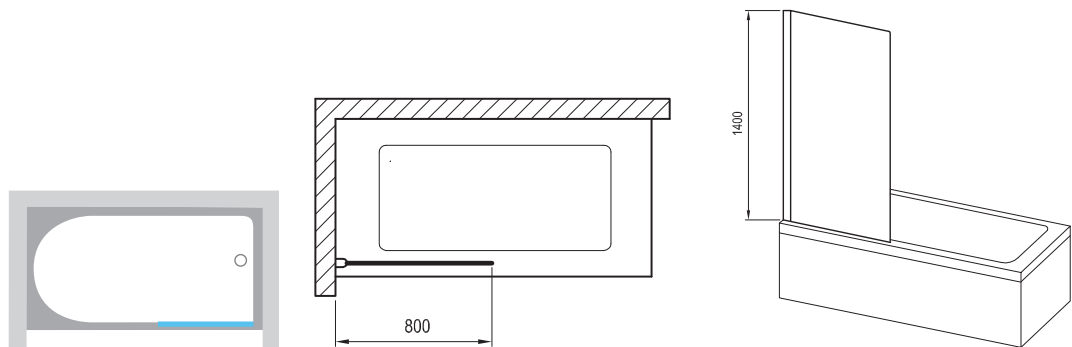


TRANSPARENT

Height  
1400 mm

Order No.	Type	Frame	Panel	Product dimensions (mm)	Size of packaging (cm)	Gross weight (kg)
<b>79840100Z1</b>	PVS1 80	white	transparent	800	77x4x152	19,4
<b>79840C00Z1</b>	PVS1 80	bright alu	transparent	800	77x4x152	19,4
<b>79840U00Z1</b>	PVS1 80	satın	transparent	800	77x4x152	19,4
<b>79840300Z1</b>	PVS1 80	black	transparent	800	77x4x152	19,4

Products are delivered within 14 days as standard.



**VS2** Two-piece folding bath screen



Perfect watertightness



The screen can be fully folded against the wall

**Everlasting frame structure**

The frame of the screen is made of thick-walled aluminium and comes with a high-quality surface finish.

**Don't miss it**

- 1.** Suitable for all rectangular bathtubs.
- 2.** Safety glass panel: 3 mm; Transparent, Grape. Plastic panel: Rain.
- 3.** VS2 height - 1400 mm.
- 4.** Can be made in non-standard sizes and with non-standard panels.

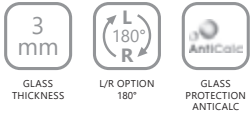
Bathtubs → 302

Taps → 538

Shower enclosures → 18

Washbasins → 388

Furniture → 458



**Finish**



**Standard panel material**



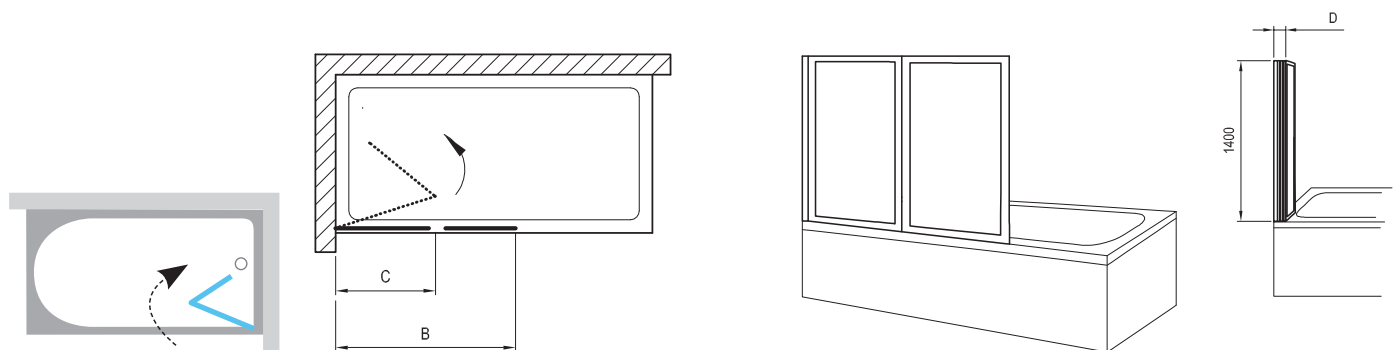
**Non-standard panel material**



**Height  
1400 mm**

Order No.	Type	Frame	Panel	Dimensions (mm)			Size of packaging (cm)	Gross weight (kg)
				„B“	„C“	„D“		
<b>796M010041</b>	VS2 105	white	rain	1050	556	71	57x5x142	8,2
<b>796M0100Z1</b>	VS2 105	white	transparent	1050	556	71	57x5x142	14,5
<b>796M0100ZG</b>	VS2 105	white	grape	1050	556	71	57x5x142	14,5
<b>796M0U0041</b>	VS2 105	satın	rain	1050	556	71	57x5x142	8,2
<b>796M0U00Z1</b>	VS2 105	satın	transparent	1050	556	71	57x5x142	14,5
<b>796M0U00ZG</b>	VS2 105	satın	grape	1050	556	71	57x5x142	14,5

Products are delivered within 14 days as standard.



**VS3** Three-piece folding bath screen



Perfect watertightness



The screen can be fully folded against the wall

**Everlasting frame structure**

The frame of the screen is made of thick-walled aluminium and comes with a high-quality surface finish.

**Don't miss it**

- 1.** Suitable for all rectangular bathtubs.
- 2.** Safety glass panel: 3 mm; Transparent, Grape. Plastic panel: Rain.
- 3.** VS2 height - 1400 mm. Can be made in non-standard sizes and with non-standard panels.
- 4.** When combining with the BeHappy II bathtub, use VS3 100 (for bathtub sizes 150 cm and 160 cm) or VS3 115 (for bathtub size 170 cm).

Bathtubs → 302

Taps → 538

Shower enclosures → 18

Washbasins → 388

Furniture → 458



### Finish



### Standard panel material



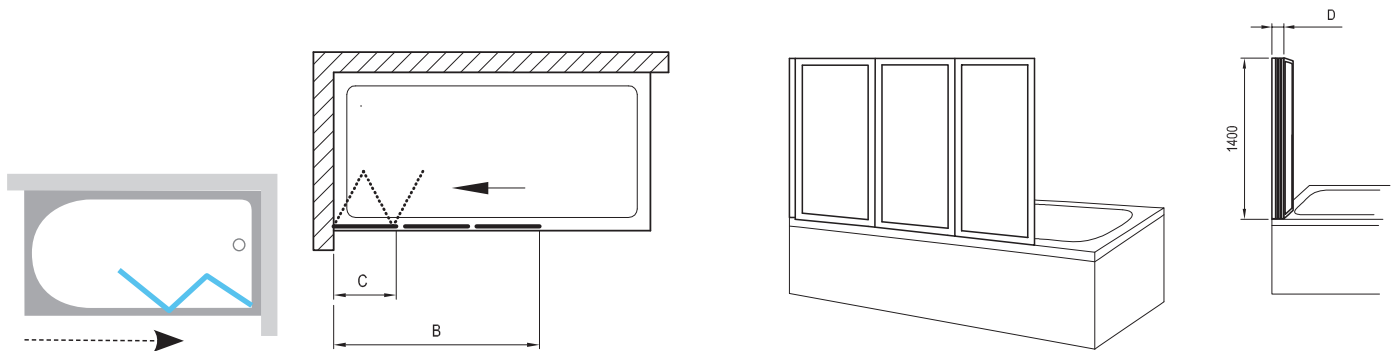
### Non-standard panel material



Height  
1400 mm

Order No.	Type	Frame	Panel	Dimensions (mm)			Size of packaging (cm)	Gross weight (kg)
				„B“	„C“	„D“		
<b>795P010041</b>	VS3 100	white	rain	1000	368	119	37x5x142	8,3
<b>795P0100Z1</b>	VS3 100	white	transparent	1000	368	119	37x5x142	14,1
<b>795P0U0041</b>	VS3 100	satın	rain	1000	368	119	37x5x142	8,3
<b>795P0U00Z1</b>	VS3 100	satın	transparent	1000	418	119	37x5x142	14,1
<b>795S010041</b>	VS3 115	white	rain	1150	418	119	42x5x142	9,1
<b>795S0100Z1</b>	VS3 115	white	transparent	1150	418	119	42x5x142	16,0
<b>795S0U0041</b>	VS3 115	satın	rain	1150	418	119	42x5x142	9,1
<b>795S0U00Z1</b>	VS3 115	satın	transparent	1150	468	119	42x5x142	16,0
<b>795V010041</b>	VS3 130	white	rain	1300	468	119	48x8x142	9,9
<b>795V0100Z1</b>	VS3 130	white	transparent	1300	468	119	48x8x142	17,7
<b>795V0100ZG</b>	VS3 130	white	grape	1300	468	119	48x8x142	17,7
<b>795V0U0041</b>	VS3 130	satın	rain	1300	468	119	48x8x142	9,9
<b>795V0U00Z1</b>	VS3 130	satın	transparent	1300	468	119	48x8x142	17,7
<b>795V0U00ZG</b>	VS3 130	satın	grape	1300	468	119	48x8x142	17,7

Products are delivered within 14 days as standard.



**VS5** Five-piece folding bath screen



Perfect watertightness



Folds to the wall – takes up only 22 cm

**Everlasting frame structure**

The frame of the screen is made of thick-walled aluminium and comes with a high-quality surface finish.

**Don't miss it**

**1.** Suitable for all rectangular bathtubs.

**2.** Plastic panel: Rain

**3.** Product height VS5 - 1330 mm.

**4.** Can be made in non-standard sizes and with non-standard panels.

Bathtubs → 302

Taps → 538

Shower enclosures → 18

Washbasins → 388

Furniture → 458



L/R OPTION  
180°

# VS5

## Finish



WHITE

## Standard panel material



RAIN

## Non-standard panel material



PEARL

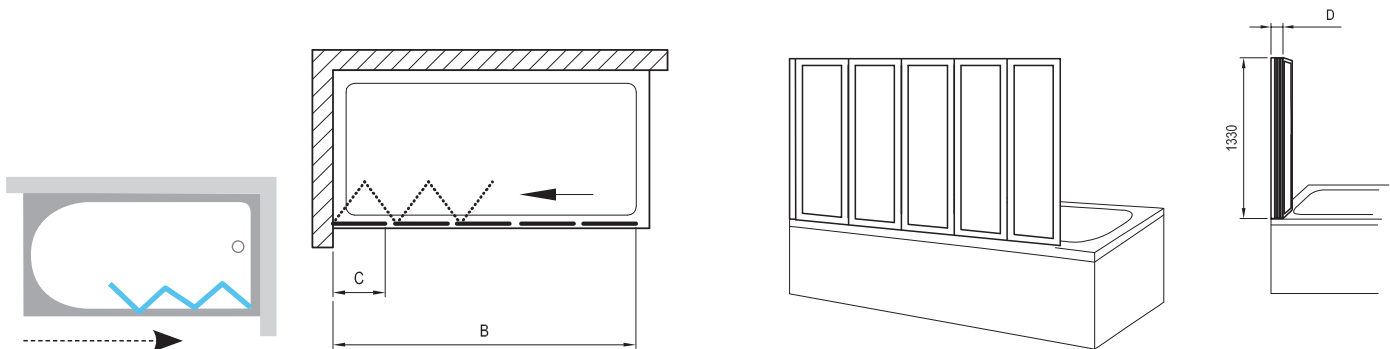


RAIN

Height  
1330 mm

Order No.	Type	Frame	Panel	Dimensions (mm)			Size of packaging (cm)	Gross weight (kg)
				„B“	„C“	„D“		
<b>794E010041</b>	VS5	white	rain	1135	260	105	28x9x136	8,9

Products are delivered within 14 days as standard.



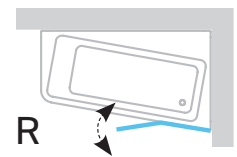
# 10CVS2 Two-piece bath screen for 10° bathtubs



Perfect watertightness



Practical rotating column



The rotating section can open both inwards and outwards

## Special bath screen for 10° corner bathtub

Bath screen specially designed for 10° bathtubs to allow comfortable showering and prevent water from splashing onto the floor.

### Don't miss it

1. Designed exclusively for use with 10° asymmetrical (corner) bathtubs.
2. The movable section of the bath screen can open both inwards and outwards.
3. 10CVS2 height - 1500 mm. Can be made in non-standard sizes and with non-standard panels.
4. Includes a stylish screen support bar.

Bathtubs → 302

Taps → 538

Shower enclosures → 18

Washbasins → 388

Furniture → 458



GLASS THICKNESS



L/R OPTION



LIFTING MECHANISM



GLASS PROTECTION ANTICALC

# 10CVS2

## Finish



BRIGHT ALU



SATIN



WHITE

## Standard panel material



TRANSPARENT

## Non-standard panel material

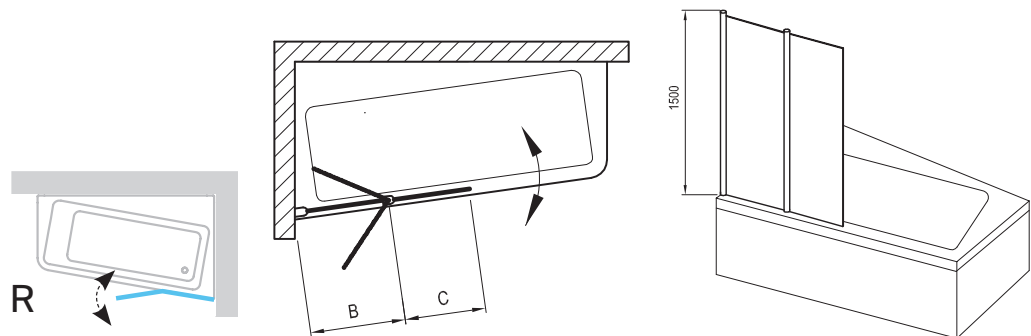


TRANSPARENT

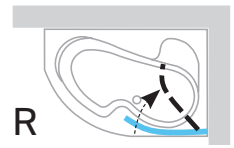
Height  
1500 mm

Order No.	Type	Frame	Panel	Dimensions (mm)			Size of packaging (cm)	Gross weight (kg)
				Dimensions (mm)	„B“	„C“		
<b>7QLA0103Z1</b>	10CVS2 100 L	white	transparent	1000	539	461	98x6x153	26,9
<b>7QLA0U03Z1</b>	10CVS2 100 L	satin	transparent	1000	539	461	98x6x153	26,9
<b>7QLA0C03Z1</b>	10CVS2 100 L	bright alu	transparent	1000	539	461	98x6x153	26,9
<b>7QRA0103Z1</b>	10CVS2 100 R	white	transparent	1000	539	461	98x6x153	26,9
<b>7QRA0U03Z1</b>	10CVS2 100 R	satin	transparent	1000	539	461	98x6x153	26,9
<b>7QRA0C03Z1</b>	10CVS2 100 R	bright alu	transparent	1000	539	461	98x6x153	26,9

Products are delivered within 14 days as standard.



# CVSK1 One-piece bath screen for Rosa bathtubs



Can be folded inwards, into the bathtub area



Perfect watertightness



Practical rotating column

## Elegant bath screen for ROSA bathtubs

Enables comfortable showering in any Rosa bathtub.

### Don't miss it

1. Designed exclusively for all Rosa bathtubs.
2. The bath screen can open both inwards and outwards.
3. Cannot be made in non-standard sizes and with non-standard panels.
4. CVSK1 height - 1500 mm.
5. Left- and right-hand version.

Bathtubs → 302

Taps → 538

Shower enclosures → 18

Washbasins → 388

Furniture → 458



GLASS THICKNESS



L/R OPTION



LIFTING MECHANISM



GLASS PROTECTION ANTICALC

# CVSK1

## Finish



BRIGHT ALU



SATIN



MATT WHITE



BLACK

## Standard panel material

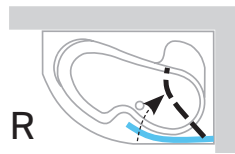


TRANSPARENT

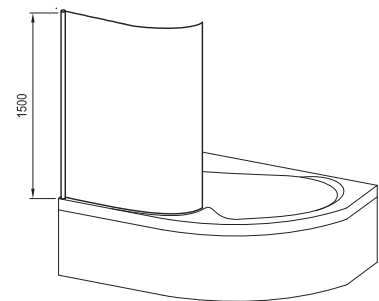
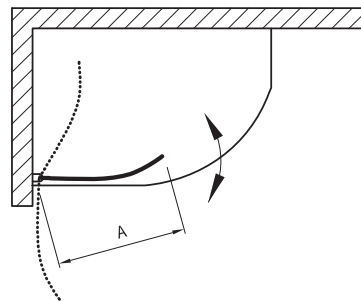
Height  
1500 mm

Order No.	Type	Frame	Panel	Dimensions (mm)		Size of packaging (cm)	Gross weight (kg)
				„B“	Height		
<b>7QLM0U00Y1</b>	CVSK1 Rosa 140/150 L	satin	transparent	860	1500	84x5x156	25,7
<b>7QLM0C00Y1</b>	CVSK1 Rosa 140/150 L	bright alu	transparent	860	1500	84x5x156	25,7
<b>7QLM0E00Y1</b>	CVSK1 Rosa 140/150 L	matt white	transparent	860	1500	84x5x156	25,7
<b>7QLM0300Y1</b>	CVSK1 Rosa 140/150 L	black	transparent	860	1500	84x5x156	25,7
<b>7QRM0U00Y1</b>	CVSK1 Rosa 140/150 R	satin	transparent	860	1500	84x5x156	23,0
<b>7QRM0C00Y1</b>	CVSK1 Rosa 140/150 R	bright alu	transparent	860	1500	84x5x156	23,0
<b>7QRM0E00Y1</b>	CVSK1 Rosa 140/150 R	matt white	transparent	860	1500	84x5x156	23,0
<b>7QRM0300Y1</b>	CVSK1 Rosa 140/150 R	black	transparent	860	1500	84x5x156	23,0
<b>7QLS0U00Y1</b>	CVSK1 Rosa 160/170 L	satin	transparent	1010	1500	100x5x156	29,2
<b>7QLS0C00Y1</b>	CVSK1 Rosa 160/170 L	bright alu	transparent	1010	1500	100x5x156	29,2
<b>7QLS0E00Y1</b>	CVSK1 Rosa 160/170 L	matt white	transparent	1010	1500	100x5x156	29,2
<b>7QLS0300Y1</b>	CVSK1 Rosa 160/170 L	black	transparent	1010	1500	100x5x156	29,2
<b>7QRS0U00Y1</b>	CVSK1 Rosa 160/170 R	satin	transparent	1010	1500	100x5x156	24,7
<b>7QRS0C00Y1</b>	CVSK1 Rosa 160/170 R	bright alu	transparent	1010	1500	100x5x156	24,7
<b>7QRS0E00Y1</b>	CVSK1 Rosa 160/170 R	matt white	transparent	1010	1500	100x5x156	24,7
<b>7QRS0300Y1</b>	CVSK1 Rosa 160/170 R	black	transparent	1010	1500	100x5x156	24,7

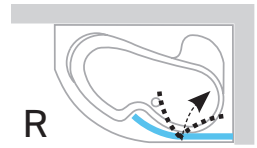
Products are delivered within 14 days as standard.



R



# VSK2 Two-piece bath screen for Rosa bathtubs



The outer panel can be folded inwards



Perfect watertightness



The frame of the screen is made of thick-walled aluminium and comes with a high-quality surface finish

## Framed bath screen for ROSA bathtubs

Enables comfortable showering in any Rosa bathtub.

### Don't miss it

1. Designed exclusively for all Rosa bathtubs.
2. Safety glass panel: 3 mm; Transparent. Plastic panel: Rain.
3. VSK2 Rosa height - 1500 mm. Can be made in non-standard sizes and with non-standard panels.
4. A short or long screen support bar is available for the bath screen. The long screen support bar cannot be used with the Rosa 95 bathtub.
5. Left- and right-hand version.

Bathtubs → 302

Taps → 538

Shower enclosures → 18

Washbasins → 388

Furniture → 458

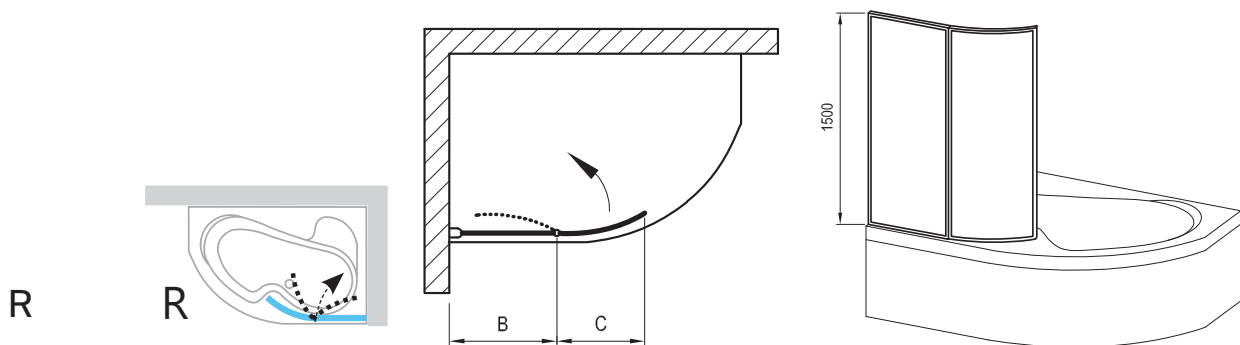
Finish	Standard panel material	Non-standard panel material	Height 1500 mm
WHITE	TRANSPARENT  RAIN	PEARL  TRANSPARENT  RAIN	

Order No.	Type	Frame	Panel	Dimensions (mm)		Size of packaging (cm)	Gross weight (kg)
				„B“	„C“		
<b>76L7010041</b>	VSK2 Rosa 140 L	white	rain	440	445	46x8x153	6,5
<b>76P7010041</b>	VSK2 Rosa 140 R	white	rain	440	445	46x8x153	6,5
<b>76L70100Z1</b>	VSK2 Rosa 140 L	white	transparent	440	445	46x8x153	13,2
<b>76P70100Z1</b>	VSK2 Rosa 140 R	white	transparent	440	445	46x8x153	13,2
<b>76L8010041</b>	VSK2 Rosa 150 L	white	rain	470	445	48x8x153	6,7
<b>76P8010041</b>	VSK2 Rosa 150 R	white	rain	470	445	48x8x153	6,8
<b>76L80100Z1</b>	VSK2 Rosa 150 L	white	transparent	470	445	48x8x153	13,6
<b>76P80100Z1</b>	VSK2 Rosa 150 R	white	transparent	470	445	48x8x153	13,7
<b>76P9010041</b>	VSK2 Rosa 160 R	white	rain	525	445	54x8x153	7,0
<b>76L9010041</b>	VSK2 Rosa 160 L	white	rain	525	445	54x8x153	7,0
<b>76L90100Z1</b>	VSK2 Rosa 160 L	white	transparent	525	445	54x8x153	14,2
<b>76P90100Z1</b>	VSK2 Rosa 160 R	white	transparent	525	445	54x8x153	14,3
<b>76LB010041</b>	VSK2 Rosa 170 L	white	rain	625	445	65x8x153	7,5
<b>76PB010041</b>	VSK2 Rosa 170 R	white	rain	625	445	65x8x153	7,5
<b>76LB0100Z1</b>	VSK2 Rosa 170 L	white	transparent	625	445	65x8x153	15,5
<b>76PB0100Z1</b>	VSK2 Rosa 170 R	white	transparent	625	445	65x8x153	15,5

Products are delivered within 14 days as standard.

## Screen supports VSK2

Order No.	Type	Frame	Product dimensions (mm)	Size of packaging (cm)	Gross weight (kg)
<b>B110000002</b>	VSK2 Bath screen support short N22, white	white		7x5x185	1,0
<b>B120000002</b>	VSK2 Bath screen support long N22, white	white		7x5x106	1,2



# Washbasins



**5** 5-YEAR WARRANTY

**CONCEPTS**  
A perfectly harmonious whole



**Trendy countertop washbasins**

Wide selection of countertop washbasins in various shapes and sizes – the most natural solution for every modern bathroom



**Slim design**

The thin-walled ceramic design reflects the latest trends, giving the bathroom a visually light and airy feel



**Interconnected concepts**

Some of our washbasins are part of a concept, meaning you can coordinate their design with the rest of your bathroom equipment

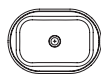
**5-year warranty**

Thanks to modern technologies and multi-stage quality control, we can offer a 5-year warranty on all RAVAK washbasins

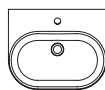
**Countertop washbasins**



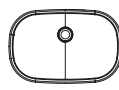
Cast marble  
Moon > 410



Cast marble  
Solo > 414



Ceramic  
Ceramic Slim > 416

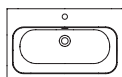


Ceramic  
Ceramic > 420

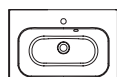


Ceramic  
Uni Slim / Uni > 422

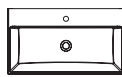
**Wall- or vanity-mounted washbasins**



Ceramic  
Chrome > 427



Cast marble  
Chrome > 428



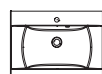
Cast marble  
Natural > 430



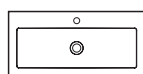
Ceramic  
Comfort > 434



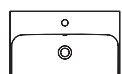
Ceramic  
Balance > 436



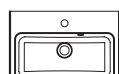
Cast marble  
Classic II > 438



Cast marble  
Clear > 442



Ceramic  
Ellen > 444

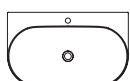


Cast marble  
BeHappy II > 446

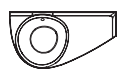


Ceramic  
Veda Slim > 448

**Wall-mounted washbasins**



Ceramic  
Yard > 390



Cast marble  
Avocado > 450

# ravak® Ceramic washbasins – thin-walled

## Yard Wall-mounted washbasins



Collection of five washbasins in six colour shades



Installation directly on the wall using a steel bracket



Can be combined with Yard open furniture in matching colours

### Everything at hand, but out of sight

Yard doesn't let things overwhelm you. You simply hide everything behind the edge of the washbasin on a recessed storage surface. The design by Vrtiška & Žák helps reduce visual clutter.

#### Don't miss it

1. Thin-walled ceramic washbasins. Available with or without a hole for a washbasin tap.
2. Designed for installation using a bracket, furniture or countertop.
3. Without overflow – requires a fixed waste plug.
4. Bracket in polished stainless steel, white or black finish.

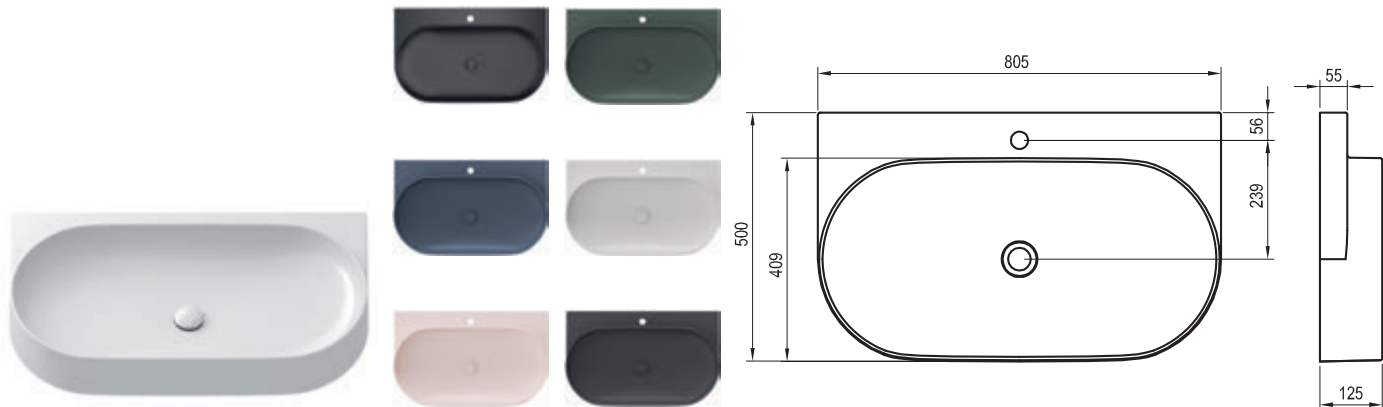
Accessories → 460

Taps → 538

Extras → 672

Furniture → 458

Detergents → 650



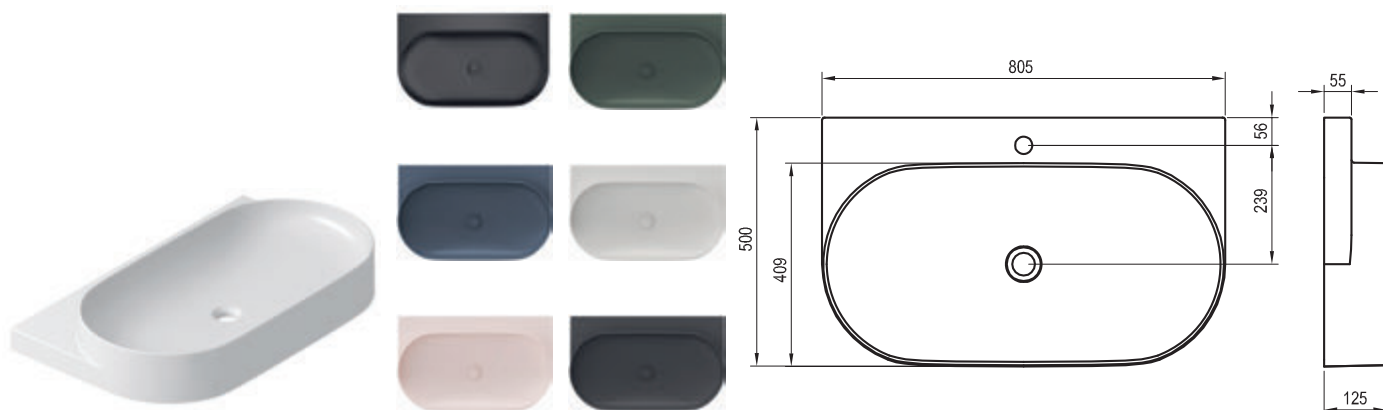
Order No.	Type	Dimensions (mm)	Size of packaging (cm)	Gross weight (kg)
<b>XJX01280002</b>	Yard 80 washbasin, with hole for tap, without overflow, white	805x500x125	84x53x15	17,5
<b>XJX0D280002</b>	Yard 80 washbasin, with hole for tap, without overflow, matt black	805x500x125	84x53x15	17,5
<b>XJX0E280001</b>	Yard 80 washbasin, with hole for tap, without overflow, matt white	805x500x125	84x53x15	17,5
<b>XJX08280000</b>	Yard 80 washbasin, with hole for tap, without overflow, Grey Green	805x500x125	84x53x15	17,5
<b>XJX07280000</b>	Yard 80 washbasin, with hole for tap, without overflow, Deepsea Blue *	805x500x125	84x53x15	17,5
<b>XJX0O280000</b>	Yard 80 washbasin, with hole for tap, without overflow, Smoke Grey	805x500x125	84x53x15	17,5
<b>XJX0G280000</b>	Yard 80 washbasin, with hole for tap, without overflow, Alabaster Pink	805x500x125	84x53x15	17,5
<b>XJX03280002</b>	Yard 80 washbasin, with hole for tap, without overflow, anthracite	805x500x125	84x53x15	17,5

\*) Product is being prepared



Order No.	Type	Dimensions (mm)	Size of packaging (cm)	Gross weight (kg)
<b>X01788</b>	Yard 80 bracket, stainless steel	575x380x70	60x40x9	3,5
<b>X01778</b>	Yard 80 bracket, white	575x380x70	60x40x9	3,5
<b>X01783</b>	Yard 80 bracket, black	575x380x70	60x40x9	3,5

# ravak® Ceramic washbasins – thin-walled



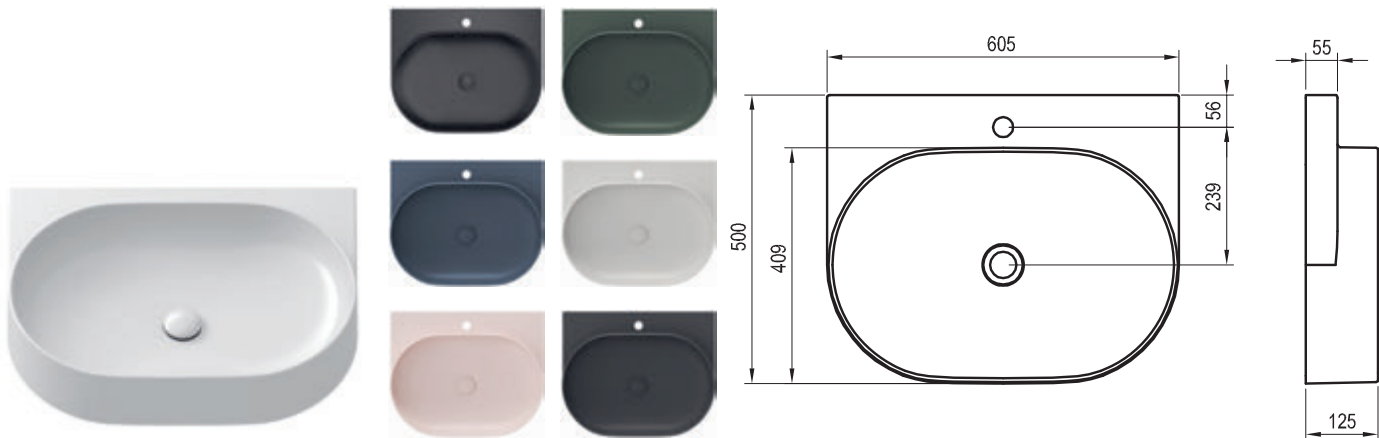
Order No.	Type	Dimensions (mm)	Size of packaging (cm)	Gross weight (kg)
<b>XJX01080000</b>	Yard 80 washbasin, without hole for tap, without overflow, white	805x500x125	84x53x15	17,5
<b>XJX0D080000</b>	Yard 80 washbasin, without hole for tap, without overflow, matt black	805x500x125	84x53x15	17,5
<b>XJX0E080000</b>	Yard 80 washbasin, without hole for tap, without overflow, matt white	805x500x125	84x53x15	17,5
<b>XJX08080000</b>	Yard 80 washbasin, without hole for tap, without overflow, Grey Green	805x500x125	84x53x15	17,5
<b>XJX07080000</b>	Yard 80 washbasin, without hole for tap, without overflow, Deepsea Blue *	805x500x125	84x53x15	17,5
<b>XJX0O080000</b>	Yard 80 washbasin, without hole for tap, without overflow, Smoke Grey	805x500x125	84x53x15	17,5
<b>XJX0G080000</b>	Yard 80 washbasin, without hole for tap, without overflow, Alabaster Pink	805x500x125	84x53x15	17,5
<b>XJX03080000</b>	Yard 80 washbasin, without hole for tap, without overflow, anthracite	805x500x125	84x53x15	17,5

\*) Product is being prepared



Order No.	Type	Dimensions (mm)	Size of packaging (cm)	Gross weight (kg)
<b>X01788</b>	Yard 80 bracket, stainless steel	575x380x70	60x40x9	3,5
<b>X01778</b>	Yard 80 bracket, white	575x380x70	60x40x9	3,5
<b>X01783</b>	Yard 80 bracket, black	575x380x70	60x40x9	3,5

Waste plugs and traps for washbasins can be found on page 452/455.



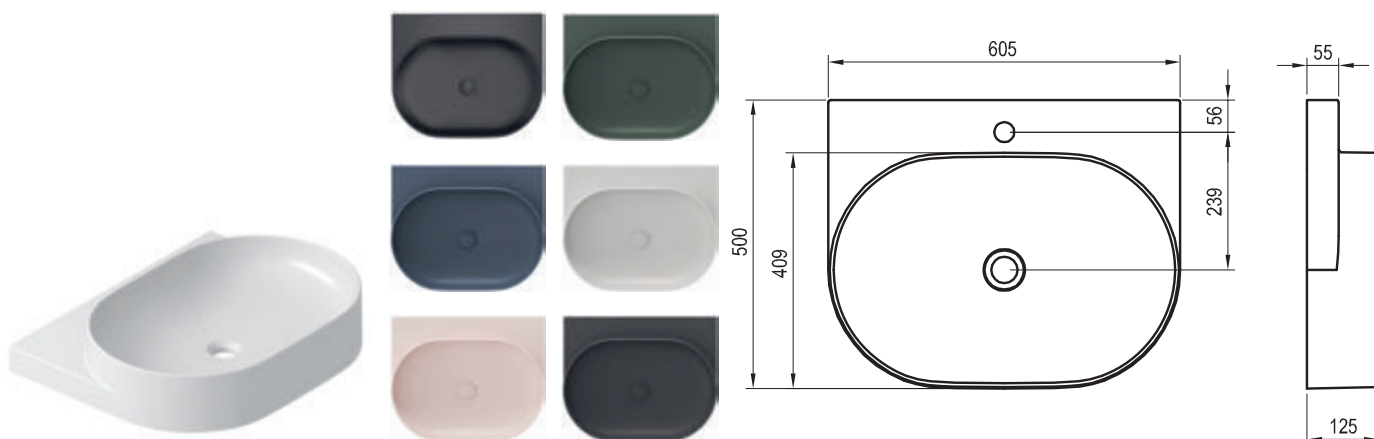
Order No.	Type	Dimensions (mm)	Size of packaging (cm)	Gross weight (kg)
<b>XJX01260002</b>	Yard 60 washbasin, with hole for tap, without overflow, white	605x500x125	64x53x15	12,9
<b>XJX0D260002</b>	Yard 60 washbasin, with hole for tap, without overflow, matt black	605x500x125	64x53x15	12,9
<b>XJX0E260001</b>	Yard 60 washbasin, with hole for tap, without overflow, matt white	605x500x125	64x53x15	12,9
<b>XJX08260000</b>	Yard 60 washbasin, with hole for tap, without overflow, Grey Green	605x500x125	64x53x15	12,9
<b>XJX07260000</b>	Yard 60 washbasin, with hole for tap, without overflow, Deepsea Blue *	605x500x125	64x53x15	12,9
<b>XJX0O260000</b>	Yard 60 washbasin, with hole for tap, without overflow, Smoke Grey	605x500x125	64x53x15	12,9
<b>XJX0G260000</b>	Yard 60 washbasin, with hole for tap, without overflow, Alabaster Pink	605x500x125	64x53x15	12,9
<b>XJX03260002</b>	Yard 60 washbasin, with hole for tap, without overflow, anthracite	605x500x125	64x53x15	12,9

\*) Product is being prepared



Order No.	Type	Dimensions (mm)	Size of packaging (cm)	Gross weight (kg)
<b>X01787</b>	Yard 60 bracket, stainless steel	375x380x70	40x40x9	2,7
<b>X01777</b>	Yard 60 bracket, white	375x380x70	40x40x9	2,7
<b>X01782</b>	Yard 60 bracket, black	375x380x70	40x40x9	2,7

# ravak® Ceramic washbasins – thin-walled



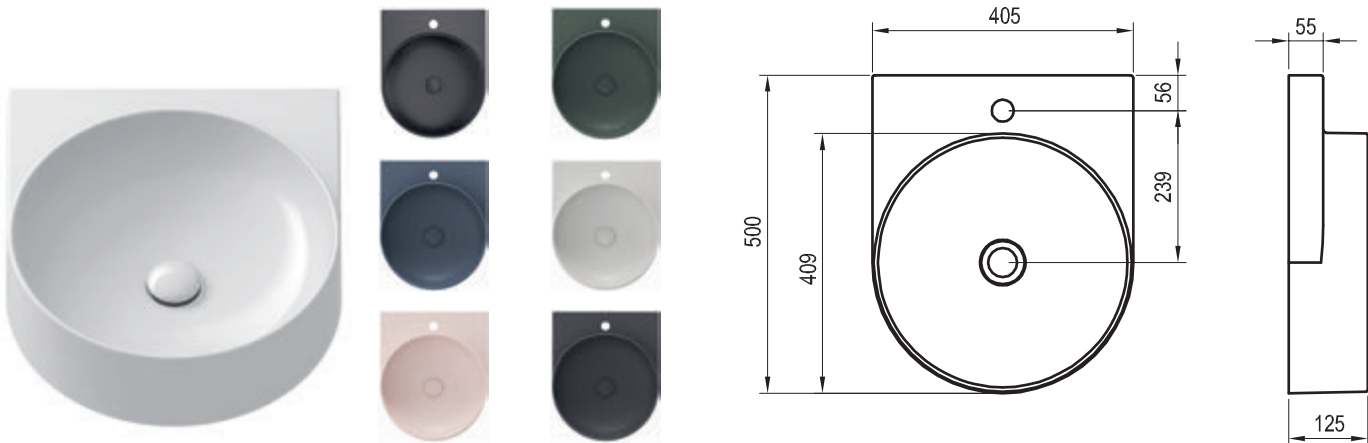
Order No.	Type	Dimensions (mm)	Size of packaging (cm)	Gross weight (kg)
<b>XJX01060000</b>	Yard 60 washbasin, without hole for tap, without overflow, white	605x500x125	64x53x15	12,9
<b>XJX0D060000</b>	Yard 60 washbasin, without hole for tap, without overflow, matt black	605x500x125	64x53x15	12,9
<b>XJX0E060000</b>	Yard 60 washbasin, without hole for tap, without overflow, matt white	605x500x125	64x53x15	12,9
<b>XJX08060000</b>	Yard 60 washbasin, without hole for tap, without overflow, Grey Green	605x500x125	64x53x15	12,9
<b>XJX07060000</b>	Yard 60 washbasin, without hole for tap, without overflow, Deepsea Blue *	605x500x125	64x53x15	12,9
<b>XJX00060000</b>	Yard 60 washbasin, without hole for tap, without overflow, Smoke Grey	605x500x125	64x53x15	12,9
<b>XJX0G060000</b>	Yard 60 washbasin, without hole for tap, without overflow, Alabaster Pink	605x500x125	64x53x15	12,9
<b>XJX03060000</b>	Yard 60 washbasin, without hole for tap, without overflow, anthracite	605x500x125	64x53x15	12,9

\*) Product is being prepared



Order No.	Type	Dimensions (mm)	Size of packaging (cm)	Gross weight (kg)
<b>X01787</b>	Yard 60 bracket, stainless steel	375x380x70	40x40x9	2,7
<b>X01777</b>	Yard 60 bracket, white	375x380x70	40x40x9	2,7
<b>X01782</b>	Yard 60 bracket, black	375x380x70	40x40x9	2,7

Waste plugs and traps for washbasins can be found on page 452/455.



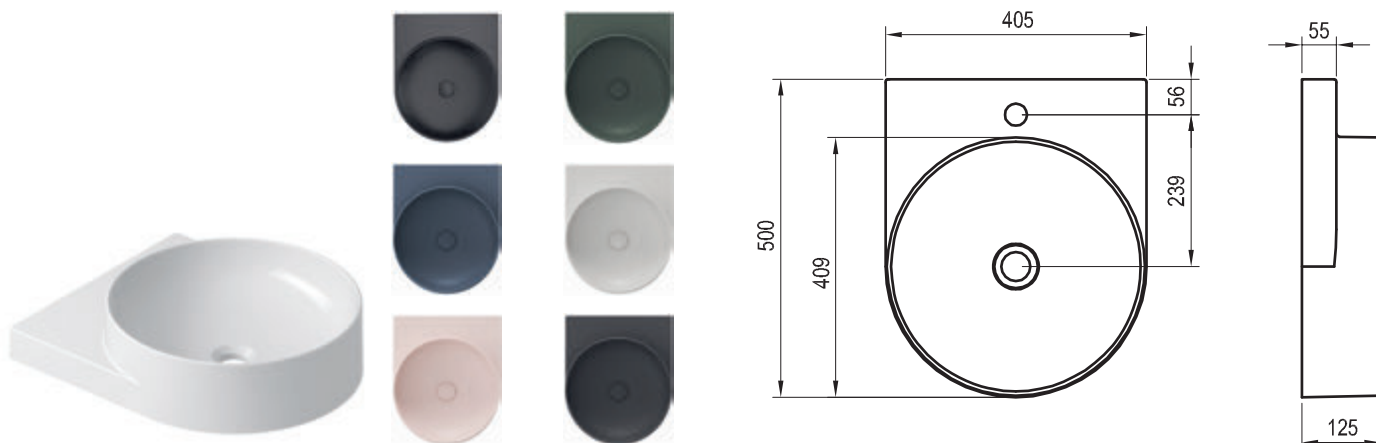
Order No.	Type	Dimensions (mm)	Size of packaging (cm)	Gross weight (kg)
<b>XJX01240002</b>	Yard 40 washbasin, with hole for tap, without overflow, white	405x500x125	44x53x15	8,8
<b>XJX0D240002</b>	Yard 40 washbasin, with hole for tap, without overflow, matt black	405x500x125	44x53x15	8,8
<b>XJX0E240001</b>	Yard 40 washbasin, with hole for tap, without overflow, matt white	405x500x125	44x53x15	8,8
<b>XJX08240000</b>	Yard 40 washbasin, with hole for tap, without overflow, Grey Green	405x500x125	44x53x15	8,8
<b>XJX07240000</b>	Yard 40 washbasin, with hole for tap, without overflow, Deepsea Blue *	405x500x125	44x53x15	8,8
<b>XJX0O240000</b>	Yard 40 washbasin, with hole for tap, without overflow, Smoke Grey	405x500x125	44x53x15	8,8
<b>XJX0G240000</b>	Yard 40 washbasin, with hole for tap, without overflow, Alabaster Pink	405x500x125	44x53x15	8,8
<b>XJX03240002</b>	Yard 40 washbasin, with hole for tap, without overflow, anthracite	405x500x125	44x53x15	8,8

\*) Product is being prepared



Order No.	Type	Dimensions (mm)	Size of packaging (cm)	Gross weight (kg)
<b>XO1786</b>	Yard 40 bracket, stainless steel	178x382x70	20x40x9	1,9
<b>XO1776</b>	Yard 40 bracket, white	178x382x70	20x40x9	1,9
<b>XO1781</b>	Yard 40 bracket, black	178x382x70	20x40x9	1,9

# ravak® Ceramic washbasins – thin-walled



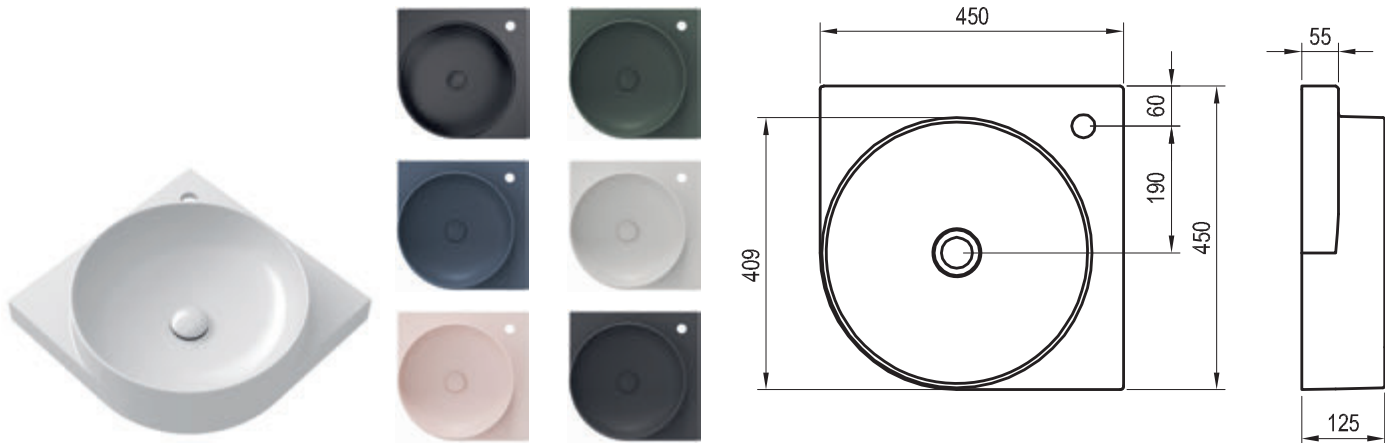
Order No.	Type	Dimensions (mm)	Size of packaging (cm)	Gross weight (kg)
<b>XJX01040000</b>	Yard 40 washbasin, without hole for tap, without overflow, white	405x500x125	44x53x15	8,8
<b>XJX0D040000</b>	Yard 40 washbasin, without hole for tap, without overflow, matt black	405x500x125	44x53x15	8,8
<b>XJX0E040000</b>	Yard 40 washbasin, without hole for tap, without overflow, matt white	405x500x125	44x53x15	8,8
<b>XJX08040000</b>	Yard 40 washbasin, without hole for tap, without overflow, Grey Green	405x500x125	44x53x15	8,8
<b>XJX07040000</b>	Yard 40 washbasin, without hole for tap, without overflow, Deepsea Blue *	405x500x125	44x53x15	8,8
<b>XJX00040000</b>	Yard 40 washbasin, without hole for tap, without overflow, Smoke Grey	405x500x125	44x53x15	8,8
<b>XJX0G040000</b>	Yard 40 washbasin, without hole for tap, without overflow, Alabaster Pink	405x500x125	44x53x15	8,8
<b>XJX03040000</b>	Yard 40 washbasin, without hole for tap, without overflow, anthracite	405x500x125	44x53x15	8,8

\*) Product is being prepared



Order No.	Type	Dimensions (mm)	Size of packaging (cm)	Gross weight (kg)
<b>X01786</b>	Yard 40 bracket, stainless steel	178x382x70	20x40x9	1,9
<b>X01776</b>	Yard 40 bracket, white	178x382x70	20x40x9	1,9
<b>X01781</b>	Yard 40 bracket, black	178x382x70	20x40x9	1,9

Waste plugs and traps for washbasins can be found on page 452/455.



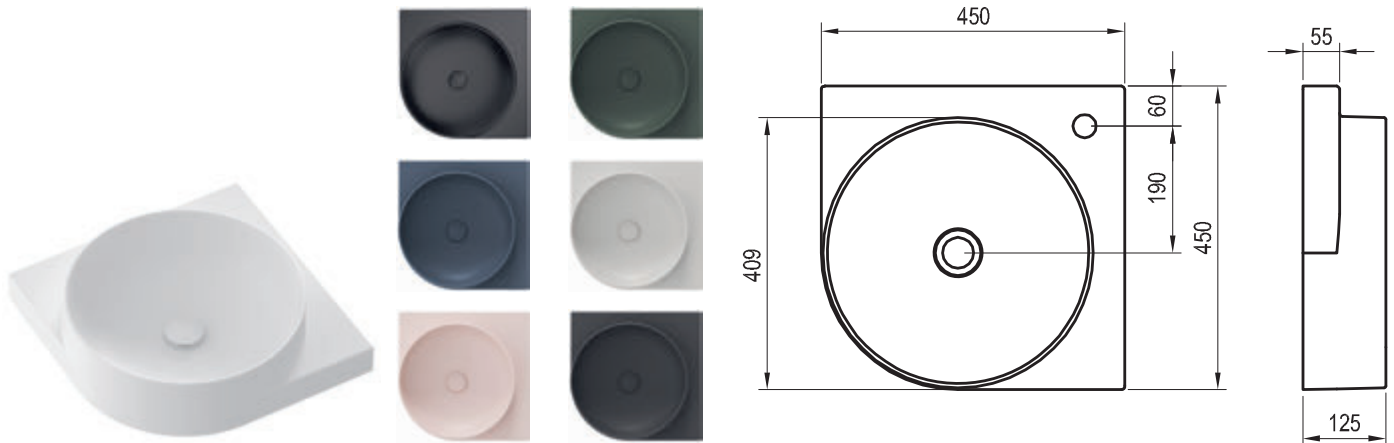
Order No.	Type	Dimensions (mm)	Size of packaging (cm)	Gross weight (kg)
<b>XJX01245000</b>	Yard 45 C washbasin, with hole for tap, without overflow, white	450x450x125	48x48x15	8,4
<b>XJX0D245000</b>	Yard 45 C washbasin, with hole for tap, without overflow, matt black	450x450x125	48x48x15	8,4
<b>XJX0E245001</b>	Yard 45 C washbasin, with hole for tap, without overflow, matt white	450x450x125	48x48x15	8,4
<b>XJX08245000</b>	Yard 45 C washbasin, with hole for tap, without overflow, Grey Green	450x450x125	48x48x15	8,4
<b>XJX07245000</b>	Yard 45 C washbasin, with hole for tap, without overflow, Deepsea Blue *	450x450x125	48x48x15	8,4
<b>XJX0O245000</b>	Yard 45 C washbasin, with hole for tap, without overflow, Smoke Grey	450x450x125	48x48x15	8,4
<b>XJX0G245000</b>	Yard 45 C washbasin, with hole for tap, without overflow, Alabaster Pink	450x450x125	48x48x15	8,4
<b>XJX03245000</b>	Yard 45 C washbasin, with hole for tap, without overflow, anthracite	450x450x125	48x48x15	8,4

\*) Product is being prepared



Order No.	Type	Dimensions (mm)	Size of packaging (cm)	Gross weight (kg)
<b>XO1785</b>	Yard 45 C bracket, stainless steel	341x341x70	36x36x9	2,5
<b>XO1775</b>	Yard 45 C bracket, white	341x341x70	36x36x9	1,6
<b>XO1780</b>	Yard 45 C bracket, black	341x341x70	36x36x9	2,5

# ravak® Ceramic washbasins – thin-walled



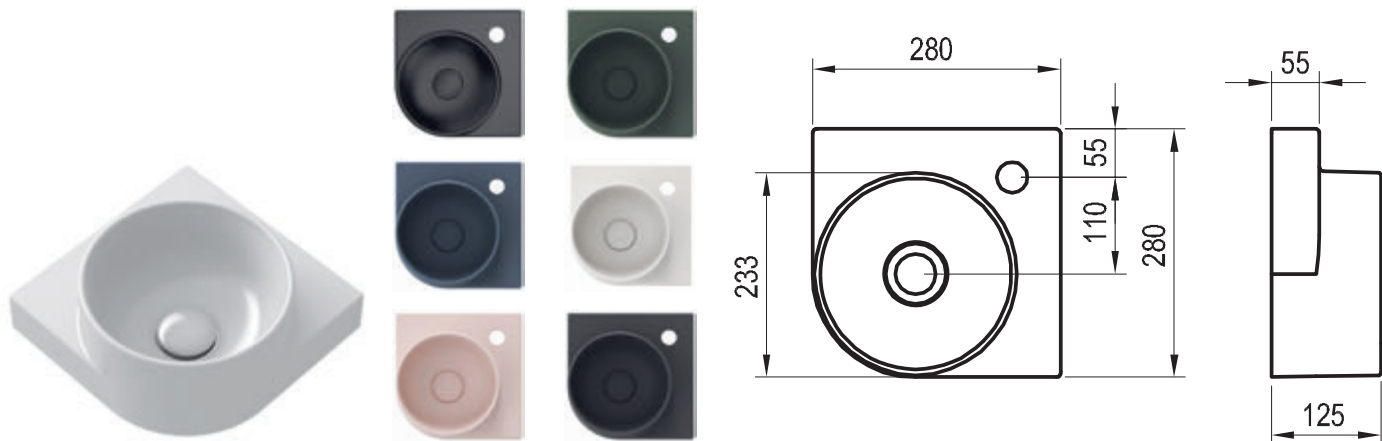
Order No.	Type	Dimensions (mm)	Size of packaging (cm)	Gross weight (kg)
<b>XJX01045000</b>	Yard 45 C washbasin, without hole for tap, without overflow, white	450x450x125	48x48x15	8,4
<b>XJX0D045000</b>	Yard 45 C washbasin, without hole for tap, without overflow, matt black	450x450x125	48x48x15	8,4
<b>XJX0E045000</b>	Yard 45 C washbasin, without hole for tap, without overflow, matt white	450x450x125	48x48x15	8,4
<b>XJX08045000</b>	Yard 45 C washbasin, without hole for tap, without overflow, Grey Green	450x450x125	48x48x15	8,4
<b>XJX07045000</b>	Yard 45 C washbasin, without hole for tap, without overflow, Deepsea Blue *	450x450x125	48x48x15	8,4
<b>XJX0O045000</b>	Yard 45 C washbasin, without hole for tap, without overflow, Smoke Grey	450x450x125	48x48x15	8,4
<b>XJX0G045000</b>	Yard 45 C washbasin, without hole for tap, without overflow, Alabaster Pink	450x450x125	48x48x15	8,4
<b>XJX03045000</b>	Yard 45 C washbasin, without hole for tap, without overflow, anthracite	450x450x125	48x48x15	8,4

\*) Product is being prepared



Order No.	Type	Dimensions (mm)	Size of packaging (cm)	Gross weight (kg)
<b>X01785</b>	Yard 45 C bracket, stainless steel	341x341x70	36x36x9	2,5
<b>X01775</b>	Yard 45 C bracket, white	341x341x70	36x36x9	1,6
<b>X01780</b>	Yard 45 C bracket, black	341x341x70	36x36x9	2,5

Waste plugs and traps for washbasins can be found on page 452/455.



Order No.	Type	Dimensions (mm)	Size of packaging (cm)	Gross weight (kg)
<b>XJX01228000</b>	Yard 28 C small washbasin, with hole for tap, without overflow, white	280x280x125	31x31x15	4,9
<b>XJX0D228000</b>	Yard 28 C small washbasin, with hole for tap, without overflow, matt black	280x280x125	31x31x15	4,9
<b>XJX0E228001</b>	Yard 28 C small washbasin, with hole for tap, without overflow, matt white	280x280x125	31x31x15	4,9
<b>XJX08228000</b>	Yard 28 C small washbasin, with hole for tap, without overflow, Grey Green	280x280x125	31x31x15	4,9
<b>XJX07228000</b>	Yard 28 C small washbasin, with hole for tap, without overflow, Deepsea Blue *	280x280x125	31x31x15	4,9
<b>XJX0O228000</b>	Yard 28 C small washbasin, with hole for tap, without overflow, Smoke Grey	280x280x125	31x31x15	4,9
<b>XJX0G228000</b>	Yard 28 C small washbasin, with hole for tap, without overflow, Alabaster Pink	280x280x125	31x31x15	4,9
<b>XJX03228000</b>	Yard 28 C small washbasin, with hole for tap, without overflow, anthracite	280x280x125	31x31x15	4,9

\*) Product is being prepared



Order No.	Type	Dimensions (mm)	Size of packaging (cm)	Gross weight (kg)
<b>XO1784</b>	Yard 28 C bracket, stainless steel	221x221x70	24x24x9	1,6
<b>XO1774</b>	Yard 28 C bracket, white	221x221x70	24x24x9	1,6
<b>XO1779</b>	Yard 28 C bracket, black	221x221x70	24x24x9	1,6

# Lite



A wide range of options for any space



Recessed waste plug – designed with precision in every detail



Available in versions for deck-mounted and concealed taps

## Harmony of beauty and function

This collection combines minimalist design with maximum functionality. The different sizes of washing spaces and storage areas create the perfect balance between style and comfort.

### Don't miss it

- 1.** Washbasins made of cast marble (mixture of ground dolomite and polyester resin).
- 2.** Designed for installation on the vanity unit or on the wall.
- 3.** Without overflow – requires a fixed waste plug.
- 4.** Available with or without a hole for a washbasin tap.

Accessories → 452

Furniture → 464

Taps → 538

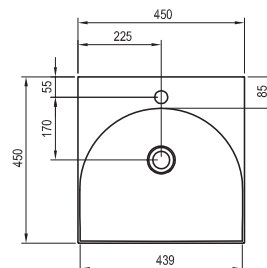
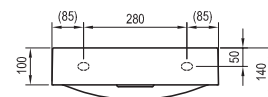
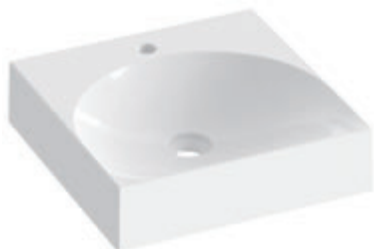
Accessories → 672

Cleaning products → 693

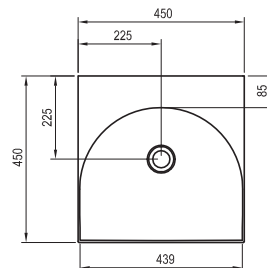
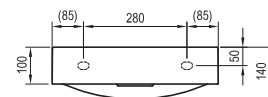
5

5-YEAR  
WARRANTY

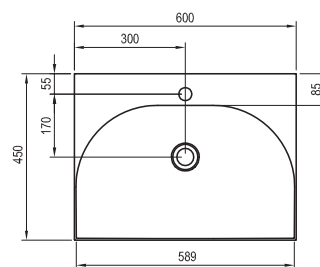
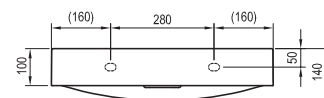
Lite



Order No.	Type	Dimensions (mm)	Size of packaging (cm)	Gross weight (kg)
<b>XJX01245002</b>	Lite 45 washbasin, with hole for tap, without overflow	450x450x140	52x16x47	12,9



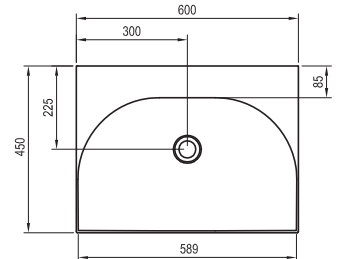
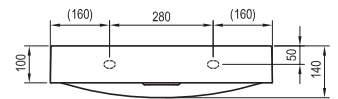
Order No.	Type	Dimensions (mm)	Size of packaging (cm)	Gross weight (kg)
<b>XJX01345000</b>	Lite 45 washbasin, without hole for tap, without overflow	450x450x140	52x16x47	12,9



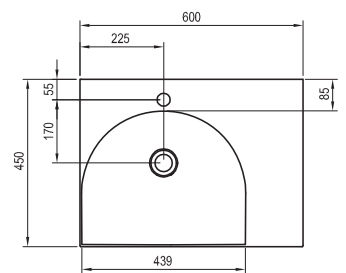
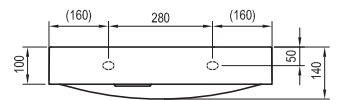
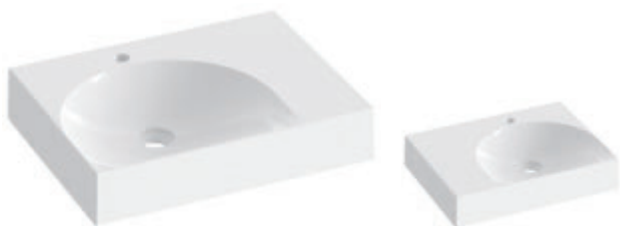
Order No.	Type	Dimensions (mm)	Size of packaging (cm)	Gross weight (kg)
<b>XJX01260004</b>	Lite 60 washbasin, with hole for tap, without overflow	600x450x140	62x19x54	16,9

Products are delivered within 14 days as standard.

# ravak® Cast marble washbasins



Order No.	Type	Dimensions (mm)	Size of packaging (cm)	Gross weight (kg)
<b>XJX01360000</b>	Lite 60 washbasin, without hole for tap, without overflow	600x450x140	62x19x54	16,9

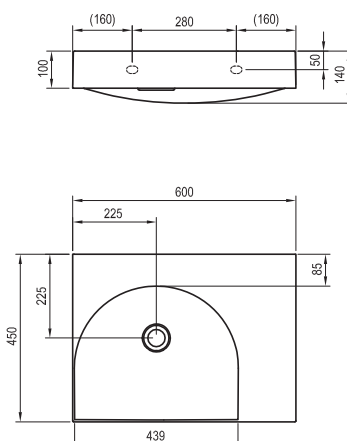
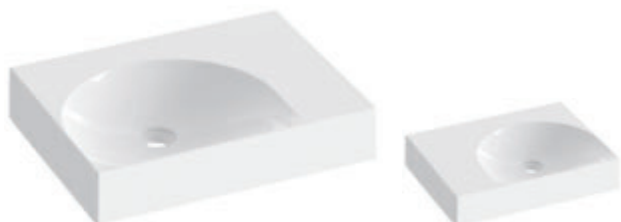


Order No.	Type	Dimensions (mm)	Size of packaging (cm)	Gross weight (kg)
<b>XJXP1260000</b>	Lite 60/45 R washbasin, with hole for tap, without overflow	600x450x140	62x19x54	16,3
<b>XJXL1260000</b>	Lite 60/45 L washbasin, with hole for tap, without overflow	600x450x140	62x19x54	16,3

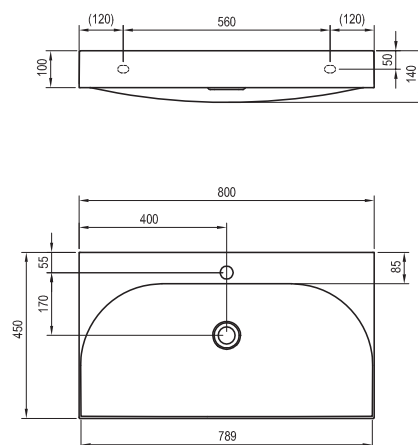
5

5-YEAR  
WARRANTY

Lite

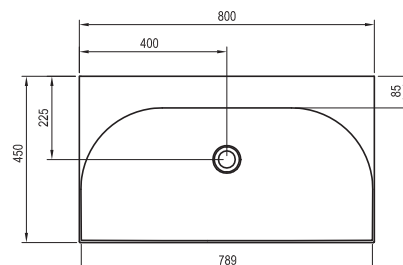
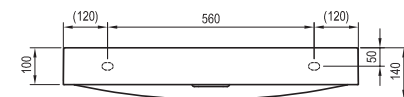


Order No.	Type	Dimensions (mm)	Size of packaging (cm)	Gross weight (kg)
<b>XJXP1360000</b>	Lite 60/45 R washbasin, without hole for tap, without overflow	600x450x140	62x19x54	16,3
<b>XJXL1360000</b>	Lite 60/45 L washbasin, without hole for tap, without overflow	600x450x140	62x19x54	16,3

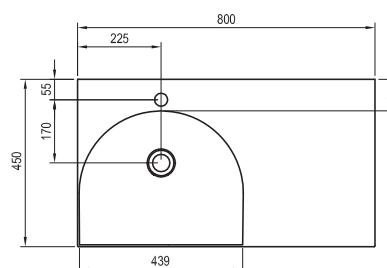
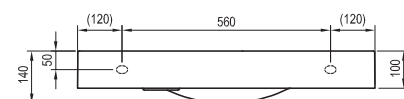


Order No.	Type	Dimensions (mm)	Size of packaging (cm)	Gross weight (kg)
<b>XJX01280005</b>	Lite 80 washbasin, with hole for tap, without overflow	800x450x140	81x19x54	21,1

# ravak® Cast marble washbasins



Order No.	Type	Dimensions (mm)	Size of packaging (cm)	Gross weight (kg)
<b>XJX01380001</b>	Lite 80 washbasin, without hole for tap, without overflow	800x450x140	81x19x54	21,1

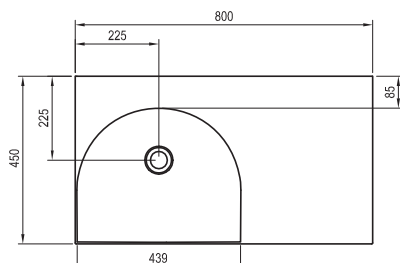
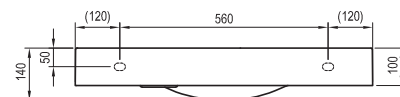


Order No.	Type	Dimensions (mm)	Size of packaging (cm)	Gross weight (kg)
<b>XJXP1280000</b>	Lite 80/45 R washbasin, with hole for tap, without overflow	800x450x140	81x19x54	20,5
<b>XJXL1280000</b>	Lite 80/45 L washbasin, with hole for tap, without overflow	800x450x140	81x19x54	20,5

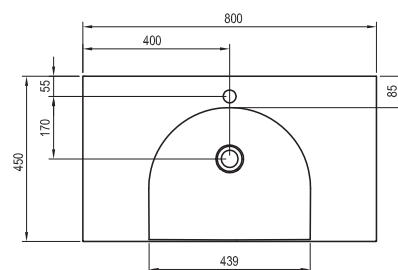
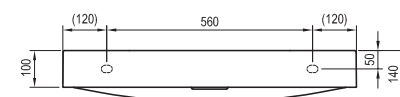
5

5-YEAR  
WARRANTY

Lite

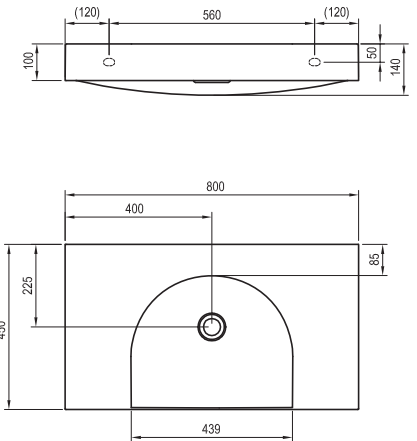


Order No.	Type	Dimensions (mm)	Size of packaging (cm)	Gross weight (kg)
<b>XJXP1380000</b>	Lite 80/45 R washbasin, without hole for tap, without overflow	800x450x140	81x19x54	20,5
<b>XJXL1380000</b>	Lite 80/45 L washbasin, without hole for tap, without overflow	800x450x140	81x19x54	20,5

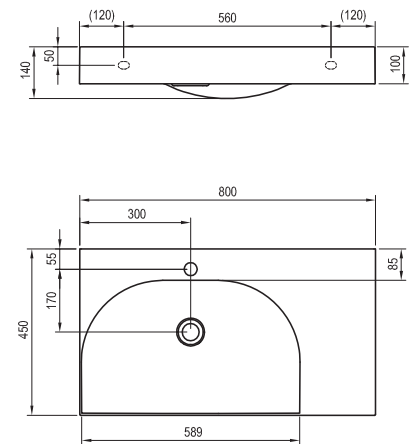


Order No.	Type	Dimensions (mm)	Size of packaging (cm)	Gross weight (kg)
<b>XJX01280004</b>	Lite 80/45 S washbasin, with hole for tap, without overflow	800x450x140	81x19x54	20,5

# ravak® Cast marble washbasins

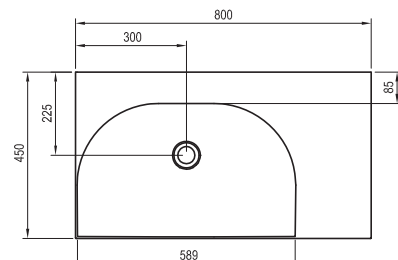


Order No.	Type	Dimensions (mm)	Size of packaging (cm)	Gross weight (kg)
<b>XJX01380000</b>	Lite 80/45 S washbasin, without hole for tap, without overflow	800x450x140	81x19x54	20,5

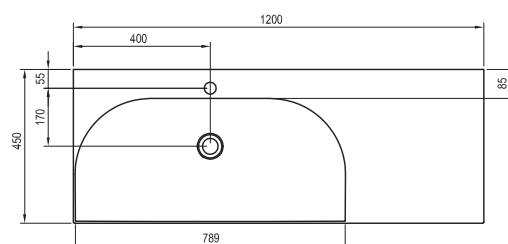
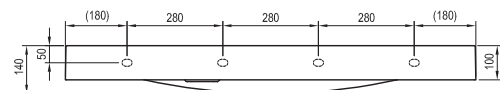


Order No.	Type	Dimensions (mm)	Size of packaging (cm)	Gross weight (kg)
<b>XJXP1280001</b>	Lite 80/60 R washbasin, with hole for tap, without overflow	800x450x140	81x19x54	21,4
<b>XJXL1280001</b>	Lite 80/60 L washbasin, with hole for tap, without overflow	800x450x140	81x19x54	21,4

Products are delivered within 14 days as standard.

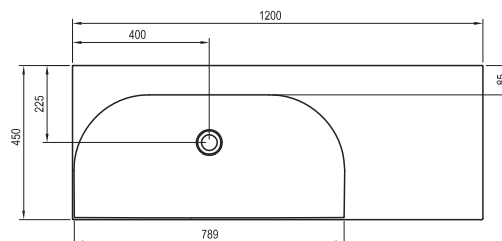
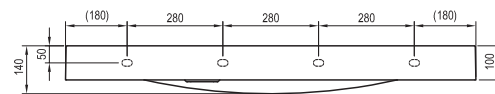


Order No.	Type	Dimensions (mm)	Size of packaging (cm)	Gross weight (kg)
<b>XJXP1380001</b>	Lite 80/60 R washbasin, without hole for tap, without overflow	800x450x140	81x19x54	21,4
<b>XJXL1380001</b>	Lite 80/60 L washbasin, without hole for tap, without overflow	800x450x140	81x19x54	21,4

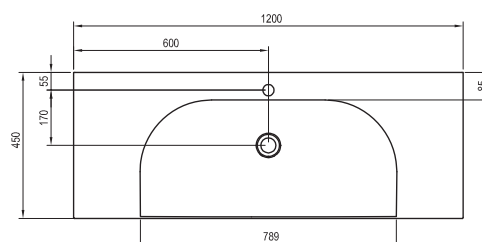
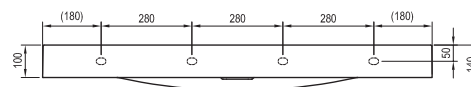


Order No.	Type	Dimensions (mm)	Size of packaging (cm)	Gross weight (kg)
<b>XJXP1212000</b>	Lite 120/80 R washbasin, with hole for tap, without overflow	1200x450x140	124x19x54	30,6
<b>XJXL1212000</b>	Lite 120/80 L washbasin, with hole for tap, without overflow	1200x450x140	124x19x54	30,6

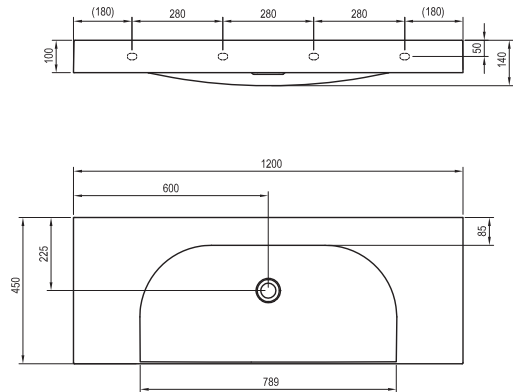
# ravak® Cast marble washbasins



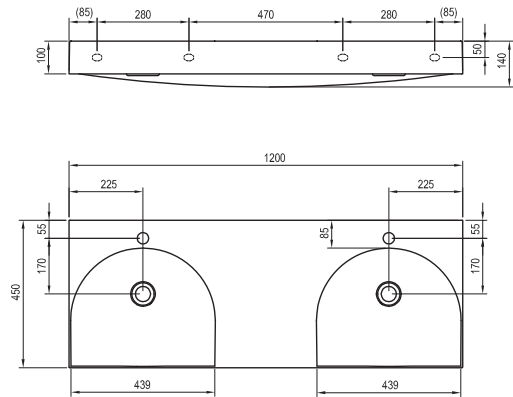
Order No.	Type	Dimensions (mm)	Size of packaging (cm)	Gross weight (kg)
<b>XJXP1312000</b>	Lite 120/80 R washbasin, without hole for tap, without overflow	1200x450x140	124x19x54	30,6
<b>XJXL1312000</b>	Lite 120/80 L washbasin, without hole for tap, without overflow	1200x450x140	124x19x54	30,6



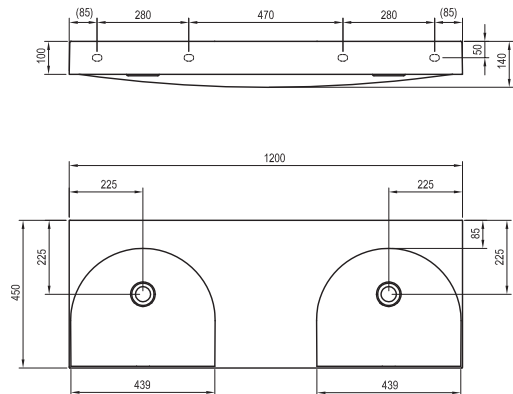
Order No.	Type	Dimensions (mm)	Size of packaging (cm)	Gross weight (kg)
<b>XJX01212000</b>	Lite 120/80 S washbasin, with hole for tap, without overflow	1200x450x140	124x19x54	30,6



Order No.	Type	Dimensions (mm)	Size of packaging (cm)	Gross weight (kg)
<b>XJX01312000</b>	Lite 120/80 S washbasin, without hole for tap, without overflow	1200x450x140	124x19x54	30,6



Order No.	Type	Dimensions (mm)	Size of packaging (cm)	Gross weight (kg)
<b>XJX01212001</b>	Lite 120 double washbasin, with holes for taps, without overflow	1200x450x140	124x19x54	30,0



Order No.	Type	Dimensions (mm)	Size of packaging (cm)	Gross weight (kg)
<b>XJX01312001</b>	Lite 120 double washbasin, without holes for taps, without overflow	1200x450x140	124x19x54	30,0

# ravak® Cast marble washbasins

## Moon Standalone washbasins



reddot award 2018  
winner



Winner of three design awards



Freedom to position the taps – on the countertop or on the wall

design nosal<sup>®</sup>

Original design from the studio of Czech designer K. Nosál

### Range of possibilities for all

The circular washbasin is simple yet practical. The oval model offers a wider washing or shelf space. The cut-off model can be mounted along a wall. The irregular circular washbasin is like a piece of art.

#### Don't miss it

1. Washbasins made of cast marble (mixture of ground dolomite and polyester resin).
2. Designed for installation on the countertop.
3. Without overflow – requires a fixed waste plug.

Accessories

→ 452

Taps

→ 538

Extras

→ 672

Furniture

→ 458

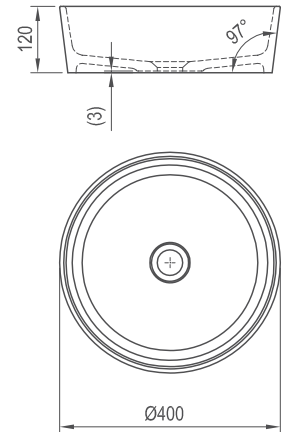
Detergents

→ 693

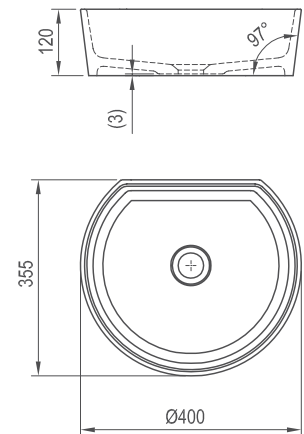
5

5-YEAR  
WARRANTY

Moon



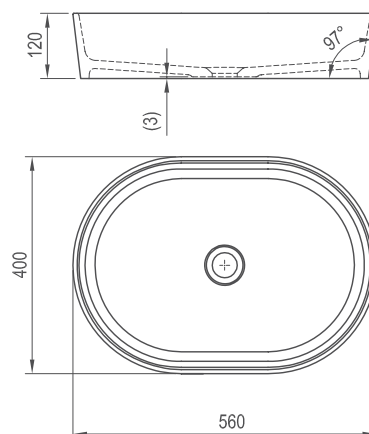
Order No.	Type	Dimensions (mm)	Size of packaging (cm)	Gross weight (kg)
<b>XJN01300000</b>	Moon 1 washbasin, without hole for tap, without overflow	Ø 400x120	42x14x42	7,0
<b>X01439</b>	Washbasin waste plug, fixed, chrome	Ø 68x104-119	7,5x7,5x14,5	0,3
<b>X01799</b>	Washbasin waste plug, fixed, matt white		7,5x7,5x14,5	0,3
<b>X01762</b>	Washbasin waste plug, fixed, black	Ø 68x104-119	7,5x7,5x14,5	0,4
<b>X01371</b>	Washbasin waste trap, chrome	Ø 50x140-240x360	15x7x36	0,8
<b>X01747</b>	Washbasin waste trap, black	Ø 50x140-240x360	15x7x36	0,9
<b>X01612</b>	Furniture washbasin waste trap	Ø 70x170-240x210-510	20x9x40	0,3
<b>X01800</b>	Washbasin waste trap, matt white		15x7x36	0,8



Order No.	Type	Dimensions (mm)	Size of packaging (cm)	Gross weight (kg)
<b>XJN01300001</b>	Moon 1C washbasin, without hole for tap, without overflow	400x355x120	42x14x42	7,3
<b>X01439</b>	Washbasin waste plug, fixed, chrome	Ø 68x104-119	7,5x7,5x14,5	0,3
<b>X01799</b>	Washbasin waste plug, fixed, matt white		7,5x7,5x14,5	0,3
<b>X01762</b>	Washbasin waste plug, fixed, black	Ø 68x104-119	7,5x7,5x14,5	0,4
<b>X01371</b>	Washbasin waste trap, chrome	Ø 50x140-240x360	15x7x36	0,8
<b>X01747</b>	Washbasin waste trap, black	Ø 50x140-240x360	15x7x36	0,9
<b>X01612</b>	Furniture washbasin waste trap	Ø 70x170-240x210-510	20x9x40	0,3
<b>X01800</b>	Washbasin waste trap, matt white		15x7x36	0,8

Products are delivered within 14 days as standard.

# ravak® Cast marble washbasins



Order No.	Type	Dimensions (mm)	Size of packaging (cm)	Gross weight (kg)
<b>XJN01300002</b>	Moon 2 washbasin, without hole for tap, without overflow	560x400x120	58x14x42	9,8
<b>X01439</b>	Washbasin waste plug, fixed, chrome	Ø 68x104-119	7,5x7,5x14,5	0,3
<b>X01799</b>	Washbasin waste plug, fixed, matt white		7,5x7,5x14,5	0,3
<b>X01762</b>	Washbasin waste plug, fixed, black	Ø 68x104-119	7,5x7,5x14,5	0,4
<b>X01371</b>	Washbasin waste trap, chrome	Ø 50x140-240x360	15x7x36	0,8
<b>X01747</b>	Washbasin waste trap, black	Ø 50x140-240x360	15x7x36	0,9
<b>X01612</b>	Furniture washbasin waste trap	Ø 70x170-240x210-510	20x9x40	0,3
<b>X01800</b>	Washbasin waste trap, matt white		15x7x36	0,8



Products are delivered within 14 days as standard.



# ravak® Cast marble washbasin

## Solo Standalone washbasin



Winner of three design awards



Coordinated with the Solo freestanding bathtub

design nosal<sup>®</sup>

Original design from the studio of Czech designer K. Nosál

### New bathroom aesthetic

A washbasin that combines proven rectangular and oval shapes to create a new aesthetic in the bathroom.

#### Don't miss it

1. Washbasin made of cast marble (mixture of ground dolomite and polyester resin).
2. Designed for installation on the countertop.
3. Without overflow – requires a fixed waste plug.

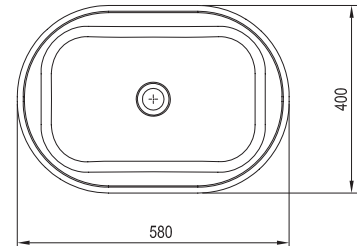
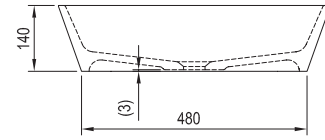
Accessories → 452

Taps → 538

Extras → 672

Furniture → 458

Detergents → 693



Order No.	Type	Dimensions (mm)	Size of packaging (cm)	Gross weight (kg)
<b>XJX01358000</b>	Solo 58 washbasin, without hole for tap, without overflow	580x400x140	60x15x42	13,8
<b>X01439</b>	Washbasin waste plug, fixed, chrome	Ø 68x104-119	7,5x7,5x14,5	0,3
<b>X01799</b>	Washbasin waste plug, fixed, matt white		7,5x7,5x14,5	0,3
<b>X01762</b>	Washbasin waste plug, fixed, black	Ø 68x104-119	7,5x7,5x14,5	0,4
<b>X01371</b>	Washbasin waste trap, chrome	Ø 50x140-240x360	15x7x36	0,8
<b>X01747</b>	Washbasin waste trap, black	Ø 50x140-240x360	15x7x36	0,9
<b>X01800</b>	Washbasin waste trap, matt white		15x7x36	0,8
<b>X01612</b>	Furniture washbasin waste trap	Ø 70x170-240x210-510	20x9x40	0,3

# Ceramic Slim

 Standalone washbasins

Subtle design



Version with shelf facing the room



Version with shelf by the wall

## Natural curves in a thin-walled design

The rounded shapes pleasantly balance the austerity of right angles in the bathroom.

### Don't miss it

1. Washbasins are made of ceramic, designed for installation on a countertop or vanity unit.
2. Wall and Shelf washbasins have an integrated tap hole.
3. Washbasins Ceramic Slim R and Ceramic Slim O do not have an overflow. We recommend using a fixed waste plug.

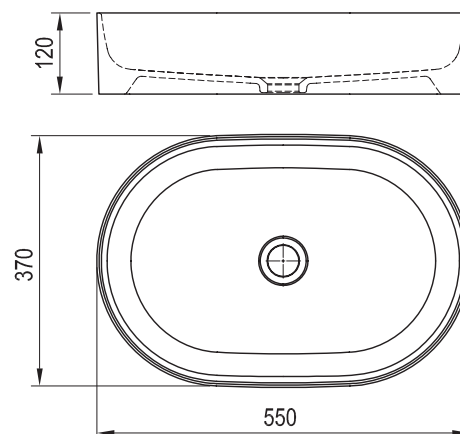
Accessories → 452

Taps → 538

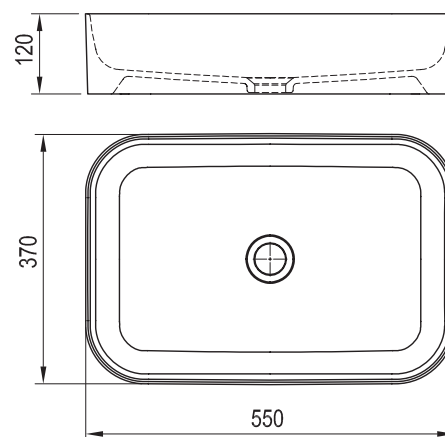
Extras → 672

Furniture → 458

Detergents → 693

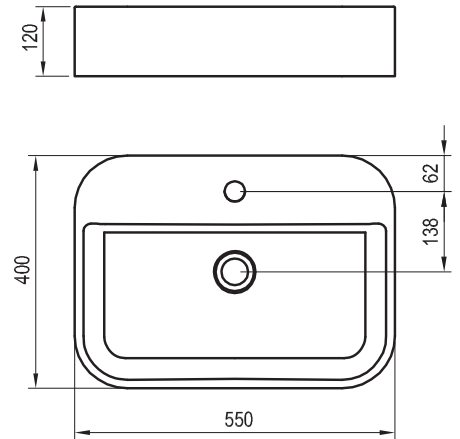


Order No.	Type	Dimensions (mm)	Size of packaging (cm)	Gross weight (kg)
<b>XJX01155001</b>	Ceramic Slim O 55 washbasin, without hole for tap, without overflow, white	550x370x120	59x13x41	9,0
<b>XJX0D155000</b>	Ceramic Slim O 55 washbasin, without hole for tap, without overflow, matt black	550x370x120	59x13x41	9,0
<b>X01439</b>	Washbasin waste plug, fixed, chrome	Ø 68x104-119	7,5x7,5x14,5	0,3
<b>X01919</b>	Flat washbasin waste plug, fixed, ceramic, white	70 mm	7,5x7,5x14,5	0,3
<b>X01921</b>	Flat washbasin waste plug, fixed, ceramic, matt black	70 mm	7,5x7,5x14,5	0,3
<b>X01371</b>	Washbasin waste trap, chrome	Ø 50x140-240x360	15x7x36	0,8
<b>X01747</b>	Washbasin waste trap, black	Ø 50x140-240x360	15x7x36	0,9
<b>X01800</b>	Washbasin waste trap, matt white		15x7x36	0,8
<b>X01612</b>	Furniture washbasin waste trap	Ø 70x170-240x210-510	20x9x40	0,3

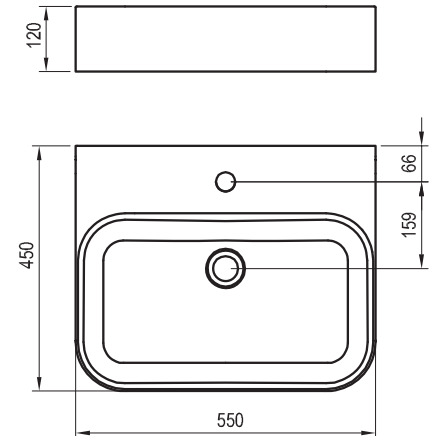


Order No.	Type	Dimensions (mm)	Size of packaging (cm)	Gross weight (kg)
<b>XJX01155002</b>	Ceramic Slim R 55 washbasin, without hole for tap, without overflow, white	550x370x120	59x13x41	10,4
<b>XJX0D155001</b>	Ceramic Slim R 55 washbasin, without hole for tap, without overflow, matt black	550x370x120	59x13x41	10,4
<b>X01439</b>	Washbasin waste plug, fixed, chrome	Ø 68x104-119	7,5x7,5x14,5	0,3
<b>X01919</b>	Flat washbasin waste plug, fixed, ceramic, white	70 mm	7,5x7,5x14,5	0,3
<b>X01921</b>	Flat washbasin waste plug, fixed, ceramic, matt black	70 mm	7,5x7,5x14,5	0,3
<b>X01371</b>	Washbasin waste trap, chrome	Ø 50x140-240x360	15x7x36	0,8
<b>X01747</b>	Washbasin waste trap, black	Ø 50x140-240x360	15x7x36	0,9
<b>X01612</b>	Furniture washbasin waste trap	Ø 70x170-240x210-510	20x9x40	0,3

# ravak® Ceramic washbasins



Order No.	Type	Dimensions (mm)	Size of packaging (cm)	Gross weight (kg)
<b>XJX01155005</b>	Ceramic Slim Shelf R 55 washbasin, with hole for tap, with overflow, white	550x400x120	60x44x14	12,2
<b>X01373</b>	Washbasin waste plug, ClickClack, chrome	Ø 62x104-119	7,5x7,5x14,5	0,4
<b>X01748</b>	Washbasin waste plug, ClickClack, black	Ø 62x104-119	7,5x7,5x14,5	0,4
<b>X01836</b>	Washbasin waste plug, ClickClack, matt white		7,5x7,5x14,5	0,4
<b>X01371</b>	Washbasin waste trap, chrome	Ø 50x140-240x360	15x7x36	0,8
<b>X01747</b>	Washbasin waste trap, black	Ø 50x140-240x360	15x7x36	0,9
<b>X01800</b>	Washbasin waste trap, matt white		15x7x36	0,8
<b>X01612</b>	Furniture washbasin waste trap	Ø 70x170-240x210-510	20x9x40	0,3



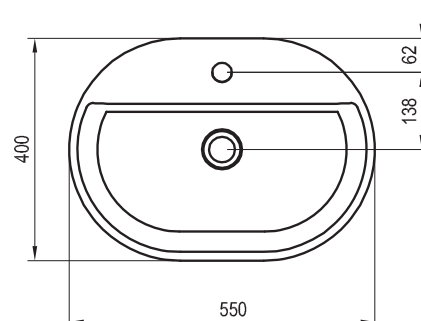
Order No.	Type	Dimensions (mm)	Size of packaging (cm)	Gross weight (kg)
<b>XJX01155006</b>	Ceramic Slim Wall R 55 washbasin, with hole for tap, with overflow, white	550x450x120	60x49x14	14,5
<b>X01373</b>	Washbasin waste plug, ClickClack, chrome	Ø 62x104-119	7,5x7,5x14,5	0,4
<b>X01748</b>	Washbasin waste plug, ClickClack, black	Ø 62x104-119	7,5x7,5x14,5	0,4
<b>X01836</b>	Washbasin waste plug, ClickClack, matt white		7,5x7,5x14,5	0,4
<b>X01371</b>	Washbasin waste trap, chrome	Ø 50x140-240x360	15x7x36	0,8
<b>X01747</b>	Washbasin waste trap, black	Ø 50x140-240x360	15x7x36	0,9
<b>X01800</b>	Washbasin waste trap, matt white		15x7x36	0,8
<b>X01612</b>	Furniture washbasin waste trap	Ø 70x170-240x210-510	20x9x40	0,3

Products are delivered within 14 days as standard.

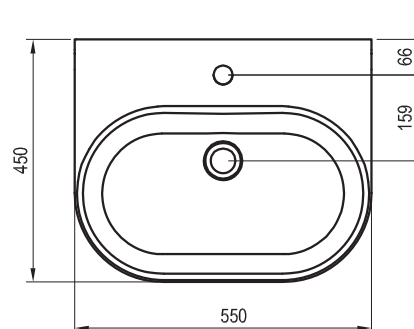
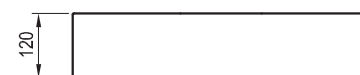
5

5-YEAR  
WARRANTY

## Ceramic Slim



Order No.	Type	Dimensions (mm)	Size of packaging (cm)	Gross weight (kg)
<b>XJX01155003</b>	Ceramic Slim Shelf O 55 washbasin, with hole for tap, with overflow, white	550x400x120	60x44x14	9,9
<b>X01373</b>	Washbasin waste plug, ClickClack, chrome	Ø 62x104-119	7,5x7,5x14,5	0,4
<b>X01748</b>	Washbasin waste plug, ClickClack, black	Ø 62x104-119	7,5x7,5x14,5	0,4
<b>X01836</b>	Washbasin waste plug, ClickClack, matt white		7,5x7,5x14,5	0,4
<b>X01371</b>	Washbasin waste trap, chrome	Ø 50x140-240x360	15x7x36	0,8
<b>X01747</b>	Washbasin waste trap, black	Ø 50x140-240x360	15x7x36	0,9
<b>X01800</b>	Washbasin waste trap, matt white		15x7x36	0,8
<b>X01612</b>	Furniture washbasin waste trap	Ø 70x170-240x210-510	20x9x40	0,3



Order No.	Type	Dimensions (mm)	Size of packaging (cm)	Gross weight (kg)
<b>XJX01155004</b>	Ceramic Slim Wall O 55 washbasin, with hole for tap, with overflow, white	550x450x120	60x49x14	11,9
<b>X01373</b>	Washbasin waste plug, ClickClack, chrome	Ø 62x104-119	7,5x7,5x14,5	0,4
<b>X01748</b>	Washbasin waste plug, ClickClack, black	Ø 62x104-119	7,5x7,5x14,5	0,4
<b>X01836</b>	Washbasin waste plug, ClickClack, matt white		7,5x7,5x14,5	0,4
<b>X01371</b>	Washbasin waste trap, chrome	Ø 50x140-240x360	15x7x36	0,8
<b>X01747</b>	Washbasin waste trap, black	Ø 50x140-240x360	15x7x36	0,9
<b>X01800</b>	Washbasin waste trap, matt white		15x7x36	0,8
<b>X01612</b>	Furniture washbasin waste trap	Ø 70x170-240x210-510	20x9x40	0,3

Products are delivered within 14 days as standard.

**ravak®** Ceramic washbasins

## **Ceramic** Standalone washbasins



In two versions

design **nosal®**

Original design

### **Durable craftsmanship**

For those who love classic shapes.

#### **Don't miss it**

- 1.** Ceramic washbasins.
- 2.** Designed for installation on the countertop.
- 3.** Without overflow – requires a fixed waste plug.

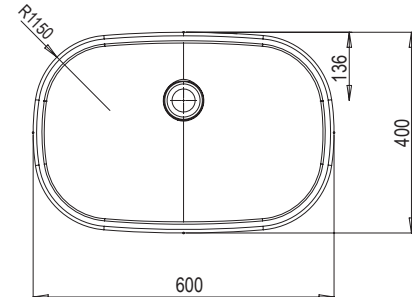
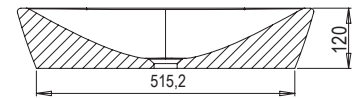
Accessories → 452

Taps → 538

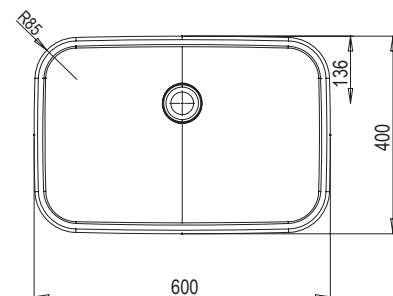
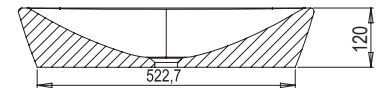
Extras → 672

Furniture → 458

Detergents → 693



Order No.	Type	Dimensions (mm)	Size of packaging (cm)	Gross weight (kg)
<b>XJX01160001</b>	Ceramic O 60 washbasin, without hole for tap, without overflow, white	600x400x120	61x42x15	12,5
<b>X01439</b>	Washbasin waste plug, fixed, chrome	Ø 68x104-119	7,5x7,5x14,5	0,3
<b>X01919</b>	Flat washbasin waste plug, fixed, ceramic, white	70 mm	7,5x7,5x14,5	0,3
<b>X01921</b>	Flat washbasin waste plug, fixed, ceramic, matt black	70 mm	7,5x7,5x14,5	0,3
<b>X01371</b>	Washbasin waste trap, chrome	Ø 50x140-240x360	15x7x36	0,8
<b>X01747</b>	Washbasin waste trap, black	Ø 50x140-240x360	15x7x36	0,9
<b>X01800</b>	Washbasin waste trap, matt white		15x7x36	0,8
<b>X01612</b>	Furniture washbasin waste trap	Ø 70x170-240x210-510	20x9x40	0,3



Order No.	Type	Dimensions (mm)	Size of packaging (cm)	Gross weight (kg)
<b>XJX01160002</b>	Ceramic R 60 washbasin, without hole for tap, without overflow, white	600x400x120	61x42x15	13,0
<b>X01439</b>	Washbasin waste plug, fixed, chrome	Ø 68x104-119	7,5x7,5x14,5	0,3
<b>X01919</b>	Flat washbasin waste plug, fixed, ceramic, white	70 mm	7,5x7,5x14,5	0,3
<b>X01921</b>	Flat washbasin waste plug, fixed, ceramic, matt black	70 mm	7,5x7,5x14,5	0,3
<b>X01371</b>	Washbasin waste trap, chrome	Ø 50x140-240x360	15x7x36	0,8
<b>X01747</b>	Washbasin waste trap, black	Ø 50x140-240x360	15x7x36	0,9
<b>X01800</b>	Washbasin waste trap, matt white		15x7x36	0,8
<b>X01612</b>	Furniture washbasin waste trap	Ø 70x170-240x210-510	20x9x40	0,3

# Uni Slim and Uni Standalone washbasins



Harmony of elegant shapes



## Thin-walled design and a well-known classic

Its delicate, precisely defined edges convey an air of subtlety and freshness, while the timeless design pays homage to the classic tradition of ceramic products and never disappoints.

### Don't miss it

1. Ceramic washbasins.
2. The Slim version has thin walls.
3. Designed for installation on the countertop.
4. Without overflow – requires a fixed waste plug.

Accessories → 452

Taps → 538

Extras → 672

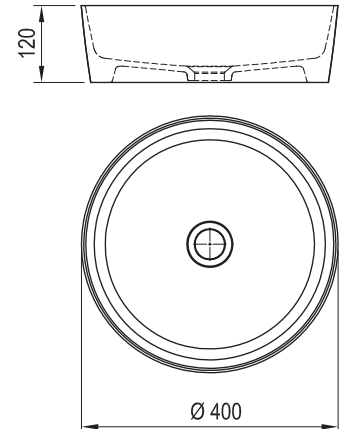
Furniture → 458

Detergents → 693

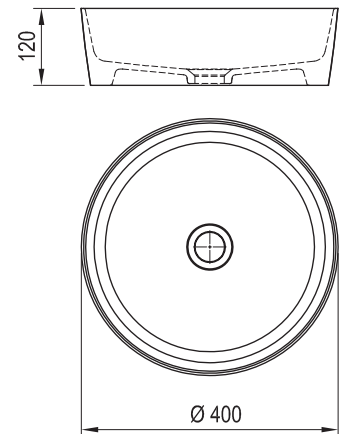
5

5-YEAR  
WARRANTY

## Uni Slim and Uni



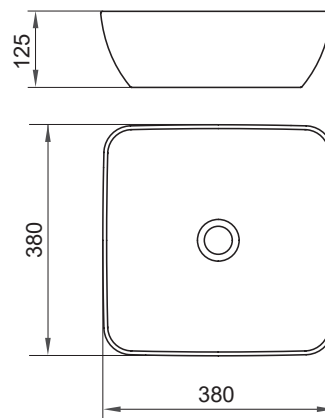
Order No.	Type	Dimensions (mm)	Size of packaging (cm)	Gross weight (kg)
<b>XJX01140002</b>	Uni Slim 40 washbasin, without hole for tap, without overflow, white	Ø 400x120	44x13x44	6,3
<b>X01439</b>	Washbasin waste plug, fixed, chrome	Ø 68x104-119	7,5x7,5x14,5	0,3
<b>X01919</b>	Flat washbasin waste plug, fixed, ceramic, white	70 mm	7,5x7,5x14,5	0,3
<b>X01921</b>	Flat washbasin waste plug, fixed, ceramic, matt black	70 mm	7,5x7,5x14,5	0,3
<b>X01371</b>	Washbasin waste trap, chrome	Ø 50x140-240x360	15x7x36	0,8
<b>X01747</b>	Washbasin waste trap, black	Ø 50x140-240x360	15x7x36	0,9
<b>X01800</b>	Washbasin waste trap, matt white		15x7x36	0,8
<b>X01612</b>	Furniture washbasin waste trap	Ø 70x170-240x210-510	20x9x40	0,3



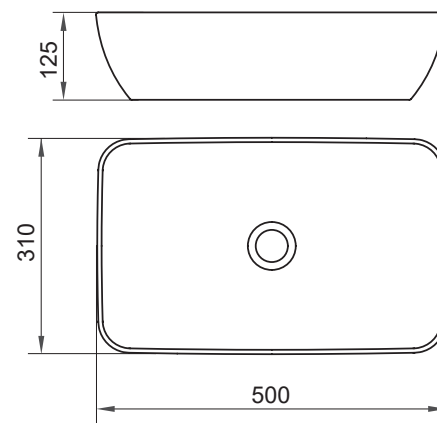
Order No.	Type	Dimensions (mm)	Size of packaging (cm)	Gross weight (kg)
<b>XJX01140001</b>	Uni 40 washbasin, without hole for tap, without overflow, white	Ø 400x120	44x13x44	7,2
<b>X01439</b>	Washbasin waste plug, fixed, chrome	Ø 68x104-119	7,5x7,5x14,5	0,3
<b>X01919</b>	Flat washbasin waste plug, fixed, ceramic, white	70 mm	7,5x7,5x14,5	0,3
<b>X01921</b>	Flat washbasin waste plug, fixed, ceramic, matt black	70 mm	7,5x7,5x14,5	0,3
<b>X01371</b>	Washbasin waste trap, chrome	Ø 50x140-240x360	15x7x36	0,8
<b>X01747</b>	Washbasin waste trap, black	Ø 50x140-240x360	15x7x36	0,9
<b>X01800</b>	Washbasin waste trap, matt white		15x7x36	0,8
<b>X01612</b>	Furniture washbasin waste trap	Ø 70x170-240x210-510	20x9x40	0,3

Products are delivered within 14 days as standard.

# ravak® Ceramic washbasins



Order No.	Type	Dimensions (mm)	Size of packaging (cm)	Gross weight (kg)
<b>XJX01138001</b>	Uni Slim S 38 washbasin, without hole for tap, without overflow, white	380x380x125	39x13x39	7,0
<b>X01439</b>	Washbasin waste plug, fixed, chrome	Ø 68x104-119	7,5x7,5x14,5	0,3
<b>X01919</b>	Flat washbasin waste plug, fixed, ceramic, white	70 mm	7,5x7,5x14,5	0,3
<b>X01921</b>	Flat washbasin waste plug, fixed, ceramic, matt black	70 mm	7,5x7,5x14,5	0,3
<b>X01371</b>	Washbasin waste trap, chrome	Ø 50x140-240x360	15x7x36	0,8
<b>X01747</b>	Washbasin waste trap, black	Ø 50x140-240x360	15x7x36	0,9
<b>X01800</b>	Washbasin waste trap, matt white		15x7x36	0,8



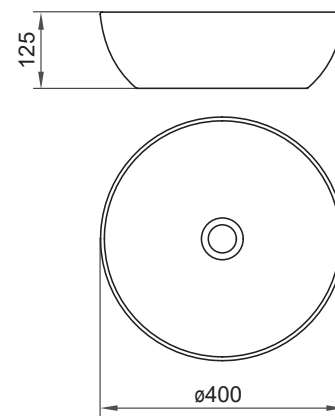
Order No.	Type	Dimensions (mm)	Size of packaging (cm)	Gross weight (kg)
<b>XJX01150001</b>	Uni Slim R 50 washbasin, without hole for tap, without overflow, white	500x310x125	51x13x32	7,9
<b>XJX03150000</b>	Uni Slim R 50 washbasin, without hole for tap, without overflow, black	500x310x125	51x13x32	8,4
<b>XJX0D150000</b>	Uni Slim R 50 washbasin, without hole for tap, without overflow, matt black	500x310x125	51x13x32	8,4
<b>X01439</b>	Washbasin waste plug, fixed, chrome	Ø 68x104-119	7,5x7,5x14,5	0,3
<b>X01919</b>	Flat washbasin waste plug, fixed, ceramic, white	70 mm	7,5x7,5x14,5	0,3
<b>X01921</b>	Flat washbasin waste plug, fixed, ceramic, matt black	70 mm	7,5x7,5x14,5	0,3
<b>X01371</b>	Washbasin waste trap, chrome	Ø 50x140-240x360	15x7x36	0,8
<b>X01747</b>	Washbasin waste trap, black	Ø 50x140-240x360	15x7x36	0,9

Products are delivered within 14 days as standard.

5

5-YEAR  
WARRANTY

## Uni Slim



Order No.	Type	Dimensions (mm)	Size of packaging (cm)	Gross weight (kg)
<b>XJX01140003</b>	Uni Slim B 40 washbasin, without hole for tap, without overflow, white	Ø 400x125	44x13x44	7,2
<b>X01439</b>	Washbasin waste plug, fixed, chrome	Ø 68x104-119	7,5x7,5x14,5	0,3
<b>X01919</b>	Flat washbasin waste plug, fixed, ceramic, white	70 mm	7,5x7,5x14,5	0,3
<b>X01921</b>	Flat washbasin waste plug, fixed, ceramic, matt black	70 mm	7,5x7,5x14,5	0,3
<b>X01371</b>	Washbasin waste trap, chrome	Ø 50x140-240x360	15x7x36	0,8
<b>X01747</b>	Washbasin waste trap, black	Ø 50x140-240x360	15x7x36	0,9
<b>X01800</b>	Washbasin waste trap, matt white		15x7x36	0,8

Products are delivered within 14 days as standard.



# Chrome

Wall- or vanity-mounted washbasins



Part of Chrome: the broadest bathroom concept on the market



Large storage area

design **nosál**®

Original design from the studio of Czech designer K. Nosál

## From small washbasin to double washbasin

The Chrome washbasins offer a comprehensive portfolio – from large double washbasins, through several sizes of classic washbasins in various designs, to small washbasins typically intended for toilets.

### Don't miss it

- 1.** Chrome Slim K 60, 70, and 80 washbasins are made of ceramic in a slim design with a rim of just 15 mm and feature a slotted overflow.
- 2.** The Chrome Slim 60, 70, 80 washbasins and the double washbasin 120 are made of cast marble (a mixture of ground dolomite and polyester resin).
- 3.** Cast marble washbasins are designed for installation on the vanity unit or on the wall. Ceramic washbasins are designed for installation on the vanity unit only.
- 4.** Chrome 400 small washbasin without overflow – requires a fixed waste plug.
- 5.** Chrome Slim 60, 70, 80 and 120 cast washbasins are available in a slim design with a rim of just 18 mm.

Accessories → 452

Taps → 596

Accessories → 680

Furniture → 484

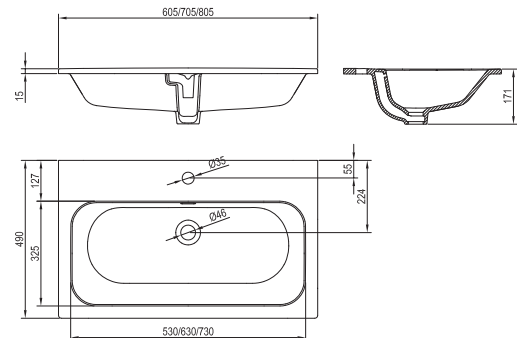
Cleaning products → 693

5

5-YEAR  
WARRANTY

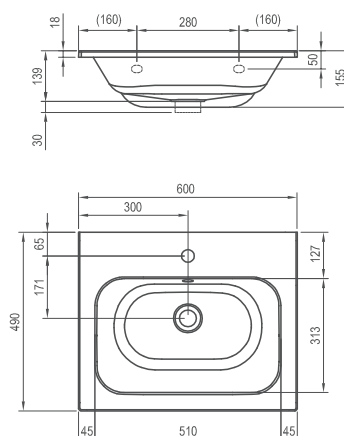
CONCEPTS

Chrome

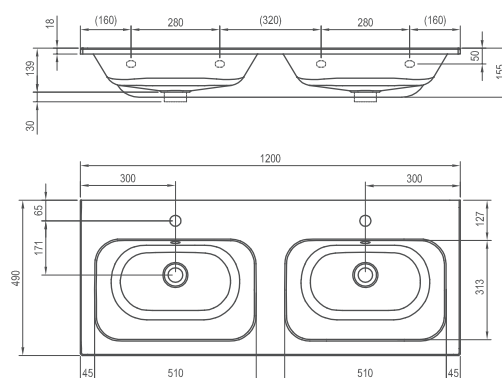


Order No.	Type	Dimensions (mm)	Size of packaging (cm)	Gross weight (kg)
<b>XJX01160008</b>	Chrome Slim 60 washbasin, ceramic, with hole for tap, with overflow, white	600x490x158	63x52x21	11,5
<b>XJX01170002</b>	Chrome Slim 70 washbasin, ceramic, with hole for tap, with overflow, white	700x490x158	73x52x21	11,5
<b>XJX01180002</b>	Chrome Slim 80 washbasin, ceramic, with hole for tap, with overflow, white	800x490x158	83x52x21	14,0
<b>X01437</b>	Washbasin waste plug, ClickClack, low, chrome	Ø 62x77-92	7x7x11	0,3
<b>X01373</b>	Washbasin waste plug, ClickClack, chrome	Ø 62x104-119	7,5x7,5x14,5	0,4
<b>X01748</b>	Washbasin waste plug, ClickClack, black	Ø 62x104-119	7,5x7,5x14,5	0,4
<b>X01836</b>	Washbasin waste plug, ClickClack, matt white		7,5x7,5x14,5	0,4
<b>X01612</b>	Furniture washbasin waste trap	Ø 70x170-240x210-510	20x9x40	0,3
<b>X01371</b>	Washbasin waste trap, chrome	Ø 50x140-240x360	15x7x36	0,8

# ravak® Cast marble and ceramic washbasins



Order No.	Type	Dimensions (mm)	Size of packaging (cm)	Gross weight (kg)
<b>XJG01160001</b>	Chrome Slim 60 washbasin, with hole for tap, with overflow	600x490x188	62x19x54	15,6
<b>XJG01170001</b>	Chrome Slim 70 washbasin, with hole for tap, with overflow	700x490x188	71x19x54	19,0
<b>XJG01180001</b>	Chrome Slim 80 washbasin, with hole for tap, with overflow	800x490x188	81x19x54	22,0
<b>X01437</b>	Washbasin waste plug, ClickClack, low, chrome	Ø 62x77-92	7x7x11	0,3
<b>X01373</b>	Washbasin waste plug, ClickClack, chrome	Ø 62x104-119	7,5x7,5x14,5	0,4
<b>X01748</b>	Washbasin waste plug, ClickClack, black	Ø 62x104-119	7,5x7,5x14,5	0,4
<b>X01836</b>	Washbasin waste plug, ClickClack, matt white		7,5x7,5x14,5	0,4
<b>X01612</b>	Furniture washbasin waste trap	Ø 70x170-240x210-510	20x9x40	0,3
<b>X01747</b>	Washbasin waste trap, black	Ø 50x140-240x360	15x7x36	0,9
<b>X01800</b>	Washbasin waste trap, matt white		15x7x36	0,8



Order No.	Type	Dimensions (mm)	Size of packaging (cm)	Gross weight (kg)
<b>XJG01112001</b>	Chrome Slim 120 double washbasin, with holes for taps, with overflow	1200x490x188	124x19x54	33,0
<b>X01437</b>	Washbasin waste plug, ClickClack, low, chrome	Ø 62x77-92	7x7x11	0,3
<b>X01373</b>	Washbasin waste plug, ClickClack, chrome	Ø 62x104-119	7,5x7,5x14,5	0,4
<b>X01748</b>	Washbasin waste plug, ClickClack, black	Ø 62x104-119	7,5x7,5x14,5	0,4
<b>X01612</b>	Furniture washbasin waste trap	Ø 70x170-240x210-510	20x9x40	0,3
<b>X01836</b>	Washbasin waste plug, ClickClack, matt white		7,5x7,5x14,5	0,4
<b>X01747</b>	Washbasin waste trap, black	Ø 50x140-240x360	15x7x36	0,9
<b>X01800</b>	Washbasin waste trap, matt white		15x7x36	0,8

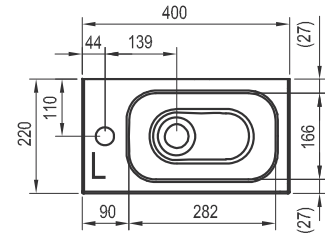
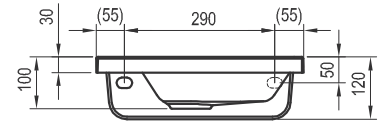
Products are delivered within 14 days as standard.

5

5-YEAR  
WARRANTY

CONCEPTS

# Chrome



Order No.	Type	Dimensions (mm)	Size of packaging (cm)	Gross weight (kg)
<b>XJGL1100000</b>	Chrome 40 L small washbasin, with hole for tap, without overflow	400x220x120	63x19x19	5,6
<b>XJGP1100000</b>	Chrome 40 R small washbasin, with hole for tap, without overflow	400x220x120	63x19x19	5,6
<b>X01439</b>	Washbasin waste plug, fixed, chrome	Ø 68x104-119	7,5x7,5x14,5	0,3
<b>X01799</b>	Washbasin waste plug, fixed, ceramic, white	Ø 67x99	7,5x7,5x14,5	0,3
<b>X01762</b>	Washbasin waste plug, fixed, black	Ø 68x104-119	7,5x7,5x14,5	0,4
<b>X01436</b>	Washbasin U-bend waste trap, chrome	Ø 45x160-190x360	4x12x34	0,4
<b>X01371</b>	Washbasin waste trap, chrome	Ø 50x140-240x360	15x7x36	0,8
<b>X01747</b>	Washbasin waste trap, black	Ø 50x140-240x360	15x7x36	0,9
<b>X01800</b>	Washbasin waste trap, matt white		15x7x36	0,8



## ravak® Cast marble washbasins

# Natural

 Wall- or vanity-mounted washbasins

Large washing area with a shared shelf space



For combination with Natural furniture

### Modern look

Suits any bathroom, with all elements forming a practical and tasteful whole.

#### Don't miss it

1. Washbasins made of cast marble (mixture of ground dolomite and polyester resin).
2. Designed for installation on the vanity unit or on the wall.
3. Without overflow – requires a fixed waste plug.

Accessories → 452

Taps → 538

Extras → 672

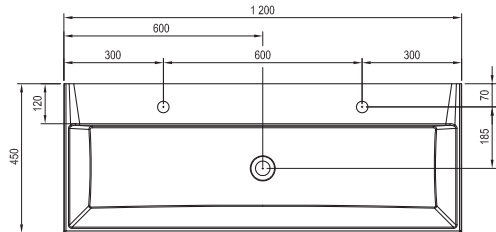
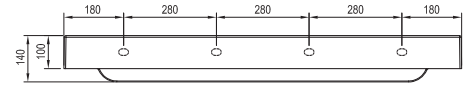
Furniture → 488

Detergents → 693

5

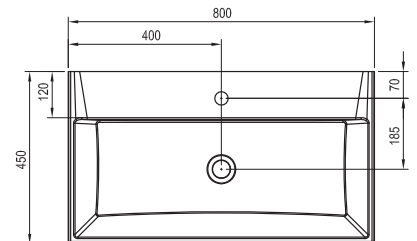
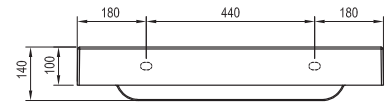
5-YEAR  
WARRANTY

Natural



Order No.	Type	Dimensions (mm)	Size of packaging (cm)	Gross weight (kg)
<b>XJO01212000</b>	Natural Duo 120 washbasin, with holes for taps, without overflow	1200x450x140	122x16x47	34,4
<b>X01439</b>	Washbasin waste plug, fixed, chrome	Ø 68x104-119	7,5x7,5x14,5	0,3
<b>X01799</b>	Washbasin waste plug, fixed, ceramic, white	Ø 67x99	7,5x7,5x14,5	0,3
<b>X01762</b>	Washbasin waste plug, fixed, black	Ø 68x104-119	7,5x7,5x14,5	0,4
<b>X01371</b>	Washbasin waste trap, chrome	Ø 50x140-240x360	15x7x36	0,8
<b>X01747</b>	Washbasin waste trap, black	Ø 50x140-240x360	15x7x36	0,9
<b>X01800</b>	Washbasin waste trap, matt white		15x7x36	0,8
<b>X01612</b>	Furniture washbasin waste trap	Ø 70x170-240x210-510	20x9x40	0,3

# ravak® Cast marble washbasins

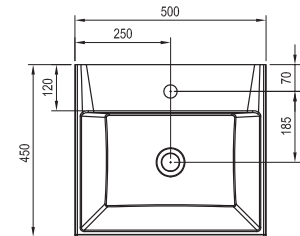
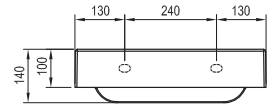


Order No.	Type	Dimensions (mm)	Size of packaging (cm)	Gross weight (kg)
<b>XJO01280000</b>	Natural 80 washbasin, with hole for tap, without overflow	800x450x140	82x16x47	23,7
<b>X01439</b>	Washbasin waste plug, fixed, chrome	Ø 68x104-119	7,5x7,5x14,5	0,3
<b>X01799</b>	Washbasin waste plug, fixed, ceramic, white	Ø 67x99	7,5x7,5x14,5	0,3
<b>X01762</b>	Washbasin waste plug, fixed, black	Ø 68x104-119	7,5x7,5x14,5	0,4
<b>X01371</b>	Washbasin waste trap, chrome	Ø 50x140-240x360	15x7x36	0,8
<b>X01747</b>	Washbasin waste trap, black	Ø 50x140-240x360	15x7x36	0,9
<b>X01800</b>	Washbasin waste trap, matt white		15x7x36	0,8
<b>X01612</b>	Furniture washbasin waste trap	Ø 70x170-240x210-510	20x9x40	0,3

5

5-YEAR  
WARRANTY

Natural



Order No.	Type	Dimensions (mm)	Size of packaging (cm)	Gross weight (kg)
<b>XJO01250000</b>	Natural 50 washbasin, with hole for tap, without overflow	500x450x140	52x16x47	15,8
<b>X01439</b>	Washbasin waste plug, fixed, chrome	Ø 68x104-119	7,5x7,5x14,5	0,3
<b>X01799</b>	Washbasin waste plug, fixed, ceramic, white	Ø 67x99	7,5x7,5x14,5	0,3
<b>X01762</b>	Washbasin waste plug, fixed, black	Ø 68x104-119	7,5x7,5x14,5	0,4
<b>X01371</b>	Washbasin waste trap, chrome	Ø 50x140-240x360	15x7x36	0,8
<b>X01747</b>	Washbasin waste trap, black	Ø 50x140-240x360	15x7x36	0,9
<b>X01800</b>	Washbasin waste trap, matt white		15x7x36	0,8
<b>X01612</b>	Furniture washbasin waste trap	Ø 70x170-240x210-510	20x9x40	0,3

# Comfort

Comfort II vanity-mounted washbasins



Large shelf space



To be combined with Comfort II furniture

## Slim washbasin rim

The strikingly slim rims of the washbasin leave more room for washing.

### Don't miss it

1. Ceramic washbasins.
2. Designed for installation on the vanity unit.
3. Without overflow – requires a fixed waste plug (recommended to combine with X01723 washbasin waste trap with fixed waste plug).

Comfort furniture → 492

Taps → 538

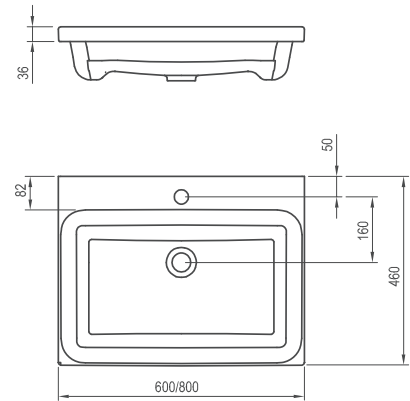
Extras → 672

Detergents → 693

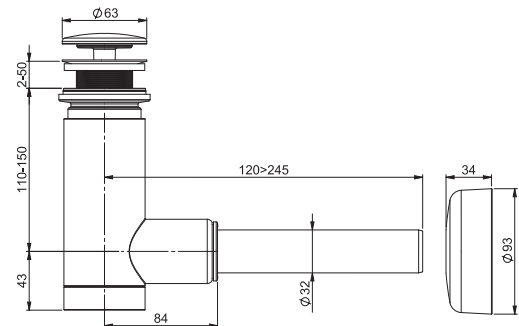
5

5-YEAR  
WARRANTY

Comfort



Order No.	Type	Dimensions (mm)	Size of packaging (cm)	Gross weight (kg)
<b>XJX01260001</b>	Comfort 60 washbasin, with hole for tap, without overflow, white	600x460x160	64x50x16	14,7
<b>XJX01280001</b>	Comfort 80 washbasin, with hole for tap, without overflow, white	800x460x160	84x50x16	16,7
<b>X000001818</b>	SD Comfort II 60, white/white	600x460x500	64,1x56,1x50,5	27,0
<b>X000001819</b>	SD Comfort II 80, white/white	800x460x500	84,1x56,1x50,5	31,0
<b>X000001825</b>	Comfort II handle 01, chrome	190x40x17	25x3,5x5,5	0,1
<b>X000001826</b>	Comfort II handle 01, white	190x40x17	25x3,5x5,5	0,1
<b>X000001827</b>	Comfort II handle 01, black	190x40x17	25x3,5x5,5	0,1



Order No.	Type	Dimensions (mm)	Size of packaging (cm)	Gross weight (kg)
<b>X01723</b>	Washbasin waste trap with fixed outlet, chrome	Ø 70x155-243x245	25,2x18x10	0,6

# Balance

Balance II vanity-mounted washbasins



Large shelf space



To be combined with Balance II furniture

## Gentle shapes

The gently shaped washbasin facilitates both its use and cleaning.

### Don't miss it

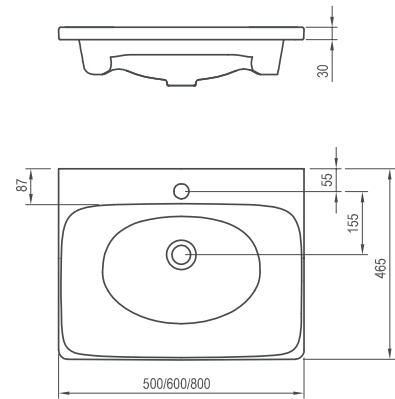
1. Ceramic washbasins.
2. Designed for installation on the vanity unit.
3. Without overflow – requires a fixed waste plug (recommended to combine with X01723 washbasin waste trap with fixed waste plug).

Balance furniture → 496

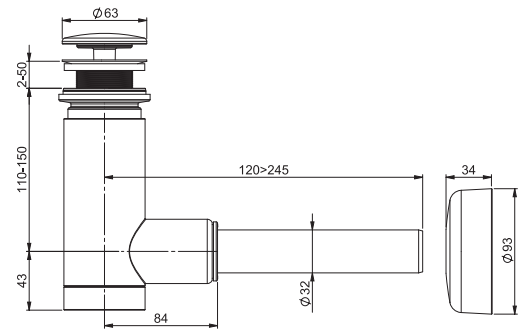
Taps → 538

Extras → 672

Detergents → 693



Order No.	Type	Dimensions (mm)	Size of packaging (cm)	Gross weight (kg)
<b>XJX01250000</b>	Balance 50 washbasin, with hole for tap, without overflow, white	500x465x160	54x50x16	9,9
<b>XJX01260000</b>	Balance 60 washbasin, with hole for tap, without overflow, white	600x465x160	64x50x16	10,8
<b>XJX01280000</b>	Balance 80 washbasin, with hole for tap, without overflow, white	800x465x160	84x50x16	14,8
<b>X000001813</b>	SD Balance II 50, white/white	500x465x500	54,1x56,1x50,5	25,0
<b>X000001814</b>	SD Balance II 60, white/white	600x465x500	64,1x56,1x50,5	29,0
<b>X000001815</b>	SD Balance II 80, white/white	800x465x500	84,1x56,1x50,5	34,0
<b>X000001822</b>	Balance II handle 01, chrome	168x26x8	16,8x8x2,6	0,1
<b>X000001823</b>	Balance II handle 01, white	168x26x8	16,8x8x2,6	0,1
<b>X000001824</b>	Balance II handle 01, black	168x26x8	16,8x8x2,6	0,1



Order No.	Type	Dimensions (mm)	Size of packaging (cm)	Gross weight (kg)
<b>X01723</b>	Washbasin waste trap with fixed outlet, chrome	Ø 70x155-243x245	25,2x18x10	0,6

## **Classic II** Wall- or vanity-mounted washbasins



Part of the Classic II concept



Large shelf space

design **nosál**®

Original design from the studio of Czech designer K. Nosál

### **A simple classic**

The washbasins have a classic shape that suits any modern bathroom. Across the wide range of sizes, a unifying style is created by simple forms and perfectly straight edges on the storage surfaces.

#### **Don't miss it**

- 1.** Washbasins made of cast marble (mixture of ground dolomite and polyester resin).
- 2.** Designed for installation on the Classic II vanity unit or wall.
- 3.** Classic II 400 small washbasin can be mounted on a vanity unit or on the wall using brackets.
- 4.** Classic 400 small washbasin without overflow – requires a fixed waste plug.

Classic II furniture → 500

Taps → 538

Extras → 672

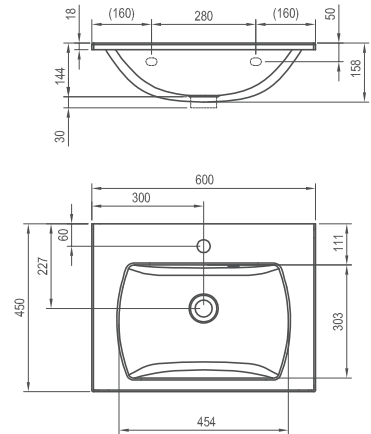
Accessories → 452

Detergents → 693

5

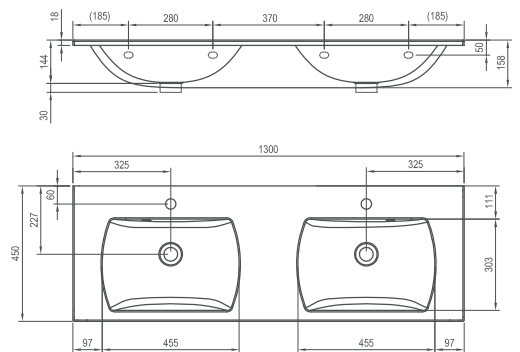
5-YEAR  
WARRANTY

## Classic II

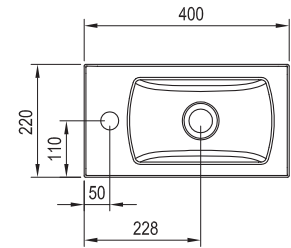
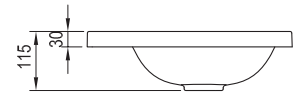


Order No.	Type	Dimensions (mm)	Size of packaging (cm)	Gross weight (kg)
<b>XJX01160004</b>	Classic II Slim 60 washbasin, with hole for tap, with overflow	600x450x174	62x19x49	16,7
<b>XJX01170001</b>	Classic II Slim 70 washbasin, with hole for tap, with overflow	700x450x174	72x19x49	18,8
<b>XJX01180001</b>	Classic II Slim 80 washbasin, with hole for tap, with overflow	800x450x174	82x19x49	21,6
<b>X01437</b>	Washbasin waste plug, ClickClack, low, chrome	Ø 62x77-92	7x7x11	0,3
<b>X01373</b>	Washbasin waste plug, ClickClack, chrome	Ø 62x104-119	7,5x7,5x14,5	0,4
<b>X01748</b>	Washbasin waste plug, ClickClack, black	Ø 62x104-119	7,5x7,5x14,5	0,4
<b>X01836</b>	Washbasin waste plug, ClickClack, matt white		7,5x7,5x14,5	0,4
<b>X01612</b>	Furniture washbasin waste trap	Ø 70x170- 240x210-510	20x9x40	0,3
<b>X01371</b>	Washbasin waste trap, chrome	Ø 50x140-240x360	15x7x36	0,8
<b>X01747</b>	Washbasin waste trap, black	Ø 50x140-240x360	15x7x36	0,9
<b>X01800</b>	Washbasin waste trap, matt white		15x7x36	0,8

# RAVAK® Cast marble washbasins



Order No.	Type	Dimensions (mm)	Size of packaging (cm)	Gross weight (kg)
<b>XJX01113001</b>	Classic II Slim 130 double washbasin, with holes for taps, with overflow	1300x450x174	134x19x49	34,4
<b>X01437</b>	Washbasin waste plug, ClickClack, low, chrome	Ø 62x77-92	7x7x11	0,3
<b>X01373</b>	Washbasin waste plug, ClickClack, chrome	Ø 62x104-119	7,5x7,5x14,5	0,4
<b>X01748</b>	Washbasin waste plug, ClickClack, black	Ø 62x104-119	7,5x7,5x14,5	0,4
<b>X01836</b>	Washbasin waste plug, ClickClack, matt white		7,5x7,5x14,5	0,4
<b>X01612</b>	Furniture washbasin waste trap	Ø 70x170-240x210-510	20x9x40	0,3
<b>X01371</b>	Washbasin waste trap, chrome	Ø 50x140-240x360	15x7x36	0,8
<b>X01747</b>	Washbasin waste trap, black	Ø 50x140-240x360	15x7x36	0,9
<b>X01800</b>	Washbasin waste trap, matt white		15x7x36	0,8



Order No.	Type	Dimensions (mm)	Size of packaging (cm)	Gross weight (kg)
<b>XJX01140004</b>	Classic II 40 small washbasin, with hole for tap, without overflow	400x220x115	43x19x19	4,1
<b>B14000100P</b>	Classic washbasin 40 brackets	210x120x20	43x10x3	1,1
<b>X01437</b>	Washbasin waste plug, ClickClack, low, chrome	Ø 62x77-92	7x7x11	0,3
<b>X01373</b>	Washbasin waste plug, ClickClack, chrome	Ø 62x104-119	7,5x7,5x14,5	0,4
<b>X01748</b>	Washbasin waste plug, ClickClack, black	Ø 62x104-119	7,5x7,5x14,5	0,4
<b>X01836</b>	Washbasin waste plug, ClickClack, matt white		7,5x7,5x14,5	0,4
<b>X01436</b>	Washbasin U-bend waste trap, chrome	Ø 45x160-190x360	4x12x34	0,4
<b>X01371</b>	Washbasin waste trap, chrome	Ø 50x140-240x360	15x7x36	0,8
<b>X01747</b>	Washbasin waste trap, black	Ø 50x140-240x360	15x7x36	0,9
<b>X01800</b>	Washbasin waste trap, matt white		15x7x36	0,8

# ravak® Cast marble washbasins

## Clear Clear II vanity-mounted washbasins



Designed to be combined with Clear II furniture



Large shelf space

### Slender washbasin

Depth of only 38 cm for narrow bathrooms where every centimetre counts. The 80 cm and 100 cm widths still provide full comfort for washing.

#### Don't miss it

1. Washbasins made of cast marble (mixture of ground dolomite and polyester resin).
2. Designed for installation on the Clear II vanity unit.
3. Without overflow – requires a fixed waste plug.

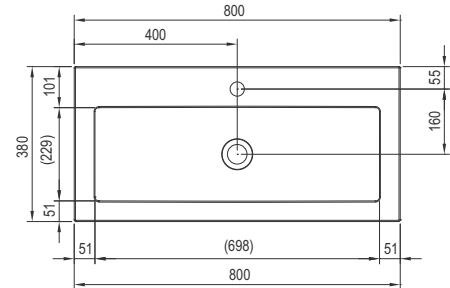
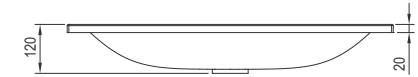
Clear furniture → 504

Taps → 538

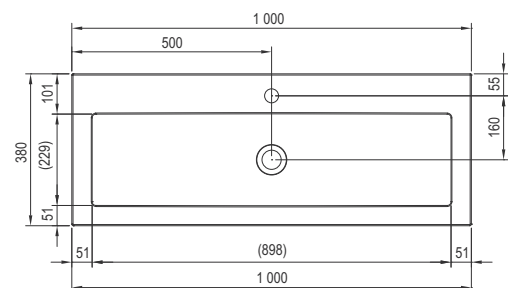
Extras → 672

Accessories → 452

Detergents → 693



Order No.	Type	Dimensions (mm)	Size of packaging (cm)	Gross weight (kg)
<b>XJJ01180000</b>	Clear 80 washbasin, with hole for tap, without overflow	800x380x120	82x14x40	8,8
<b>X01439</b>	Washbasin waste plug, fixed, chrome	Ø 68x104-119	7,5x7,5x14,5	0,3
<b>X01799</b>	Washbasin waste plug, fixed, matt white		7,5x7,5x14,5	0,3
<b>X01762</b>	Washbasin waste plug, fixed, black	Ø 68x104-119	7,5x7,5x14,5	0,4
<b>X01371</b>	Washbasin waste trap, chrome	Ø 50x140-240x360	15x7x36	0,8
<b>X01747</b>	Washbasin waste trap, black	Ø 50x140-240x360	15x7x36	0,9
<b>X01800</b>	Washbasin waste trap, matt white		15x7x36	0,8
<b>X01612</b>	Furniture washbasin waste trap	Ø 70x170-240x210-510	20x9x40	0,3



Order No.	Type	Dimensions (mm)	Size of packaging (cm)	Gross weight (kg)
<b>XJJ01110000</b>	Clear 100 washbasin, with hole for tap, without overflow	1000x380x120	102x14x40	10,8
<b>X01439</b>	Washbasin waste plug, fixed, chrome	Ø 68x104-119	7,5x7,5x14,5	0,3
<b>X01799</b>	Washbasin waste plug, fixed, matt white		7,5x7,5x14,5	0,3
<b>X01762</b>	Washbasin waste plug, fixed, black	Ø 68x104-119	7,5x7,5x14,5	0,4
<b>X01371</b>	Washbasin waste trap, chrome	Ø 50x140-240x360	15x7x36	0,8
<b>X01747</b>	Washbasin waste trap, black	Ø 50x140-240x360	15x7x36	0,9
<b>X01800</b>	Washbasin waste trap, matt white		15x7x36	0,8
<b>X01612</b>	Furniture washbasin waste trap	Ø 70x170-240x210-510	20x9x40	0,3

# Ellen



Large storage area



The practical rim prevents water from overflowing

## Elegant with plenty of storage space

A high-quality ceramic washbasin with an overflow, designed for direct wall mounting.

### Don't miss it

- 1.** The oval shape of the washbasin combines a wide washing surface and ideal depth, providing plenty of space for your hands.
- 2.** The washbasin rim helps prevent water from dripping on the floor, keeping the surrounding area drier and cleaner.
- 3.** It is easy to clean and does not leave visible stains from water drops on the smooth surface.
- 4.** The mounting kit (connection plugs, screws, etc.) including the overflow cover is included in the package.

Accessories → 452

Taps → 538

Accessories → 672

Cleaning products → 693



Order No.	Type	Dimensions (mm)	Size of packaging (cm)	Gross weight (kg)
<b>XJX01160005</b>	Ellen 60 washbasin, with hole for tap, with overflow, white	600x450x160	51x20x64	15,6
<b>X01437</b>	Washbasin waste plug, ClickClack, low, chrome	Ø 62x77-92	7x7x11	0,3
<b>X01373</b>	Washbasin waste plug, ClickClack, chrome	Ø 62x104-119	7,5x7,5x14,5	0,4
<b>X01748</b>	Washbasin waste plug, ClickClack, black	Ø 62x104-119	7,5x7,5x14,5	0,4
<b>X01836</b>	Washbasin waste plug, ClickClack, matt white		7,5x7,5x14,5	0,4
<b>X01436</b>	Washbasin U-bend waste trap, chrome	Ø 45x160-190x360	4x12x34	0,4
<b>X01371</b>	Washbasin waste trap, chrome	Ø 50x140-240x360	15x7x36	0,8
<b>X01747</b>	Washbasin waste trap, black	Ø 50x140-240x360	15x7x36	0,9
<b>X01800</b>	Washbasin waste trap, matt white		15x7x36	0,8

**ravak®** Cast marble washbasins

## **BeHappy II** Wall- or vanity-mounted washbasins



Part of the BeHappy concept

design **nosál**®

Large shelf space

Original design from the studio of Czech designer K. Nosál

### **Ingeniously designed**

Even a small bathroom can provide plenty of space. The BeHappy II corner washbasin can easily fit not only in the corner of a bathroom, but also above a bathtub of the same name.

#### **Don't miss it**

- 1.** Washbasins made of cast marble (mixture of ground dolomite and polyester resin).
- 2.** Corner washbasin designed for wall installation.
- 3.** The right or left corner version is ideal for combination with the BeHappy bathtub of the same orientation.

Accessories → 452

Taps → 538

Extras → 672

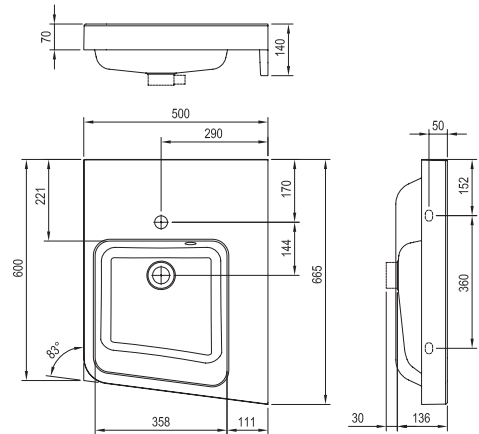
Furniture → 458

BeHappy bathtub → 358

**5**5-YEAR  
WARRANTY**L/R**

L/R OPTION

# BeHappy II



Order No.	Type	Dimensions (mm)	Size of packaging (cm)	Gross weight (kg)
<b>XJAL1100001</b>	BeHappy II 66,5 L washbasin, with hole for tap, with overflow	500x665x140	52x15x68	19,7
<b>XJAP1100001</b>	BeHappy II 66,5 R washbasin, with hole for tap, with overflow	500x665x140	52x15x68	19,7
<b>X01437</b>	Washbasin waste plug, ClickClack, low, chrome	Ø 62x77-92	7x7x11	0,3
<b>X01436</b>	Washbasin U-bend waste trap, chrome	Ø 45x160-190x360	4x12x34	0,4

**ravak®** Ceramic washbasin

## **Veda Slim** Veda vanity-mounted washbasin



For combination with a vanity unit of the same name

### **Surprisingly spacious**

Extremely comfortable washing, thanks to subtle rims and increased depth.

---

#### **Don't miss it**

- 1.** Small ceramic washbasin.
- 2.** Thin-walled design.
- 3.** Designed for mounting onto a vanity unit.
- 4.** Without overflow – requires a fixed waste plug.

Veda furniture → 508

Taps → 538

Extras → 672

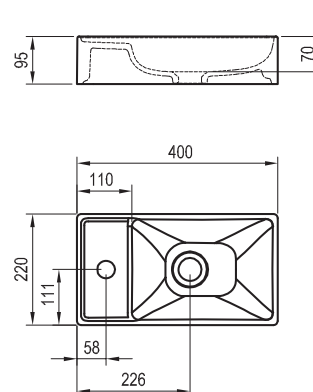
Accessories → 452

Detergents → 693

5

5-YEAR  
WARRANTY

## Veda Slim



Order No.	Type	Dimensions (mm)	Size of packaging (cm)	Gross weight (kg)
<b>XJX01240000</b>	Veda Slim 40 small washbasin, with hole for tap, without overflow, white	400x220x95	42x24x11	4,6
<b>X01439</b>	Washbasin waste plug, fixed, chrome	Ø 68x104-119	7,5x7,5x14,5	0,3
<b>X01919</b>	Flat washbasin waste plug, fixed, ceramic, white	70 mm	7,5x7,5x14,5	0,3
<b>X01921</b>	Flat washbasin waste plug, fixed, ceramic, matt black	70 mm	7,5x7,5x14,5	0,3
<b>X01436</b>	Washbasin U-bend waste trap, chrome	Ø 45x160-190x360	4x12x34	0,4

**ravak®** Cast marble washbasin

## **Avocado** Wall-mounted washbasin



Part of the Avocado concept

Large shelf space

### **Clever solution for small bathrooms**

Thanks to its rounded shape, the washbasin is accessible even when placed above a bathtub, making it comfortable to use even in a small bathroom.

#### **Don't miss it**

- 1.** Washbasins made of cast marble (mixture of ground dolomite and polyester resin).
- 2.** Designed for installation on the wall.
- 3.** In left- or right-hand design.
- 4.** The right version of the washbasin is used in the pictures and technical drawing.

Accessories → 452

Taps → 538

Extras → 672

Furniture → 458

Bathtubs → 356

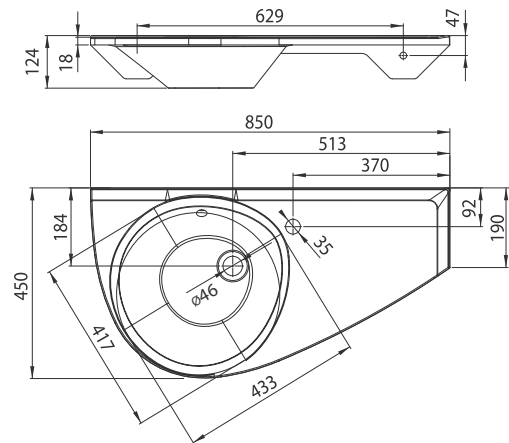
5

5-YEAR  
WARRANTY

L/R

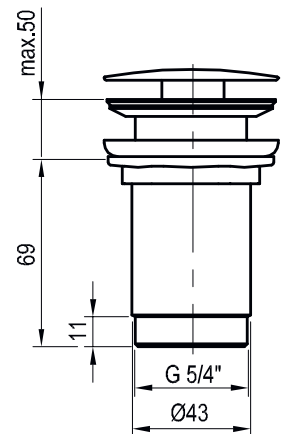
L/R OPTION

Avocado



Order No.	Type	Dimensions (mm)	Size of packaging (cm)	Gross weight (kg)
<b>XJ1L1100000</b>	Avocado 85 L washbasin, with hole for tap, with overflow	850x450x124	87x14x48	13,6
<b>XJ1P1100000</b>	Avocado 85 R washbasin, with hole for tap, with overflow	850x450x124	87x14x48	13,3
<b>X01437</b>	Washbasin waste plug, ClickClack, low, chrome	Ø 62x77-92	7x7x11	0,3
<b>X01373</b>	Washbasin waste plug, ClickClack, chrome	Ø 62x104-119	7,5x7,5x14,5	0,4
<b>X01436</b>	Washbasin U-bend waste trap, chrome	Ø 45x160-190x360	4x12x34	0,4
<b>X01371</b>	Washbasin waste trap, chrome	Ø 50x140-240x360	15x7x36	0,8

# ravak® Washbasin accessories



Order No.	Type	Size of packaging (cm)	Gross weight (kg)
<b>X01695</b>	Washbasin waste plug, fixed, ceramic, white	7,5x7,5x14,5	0,3



Order No.	Type	Size of packaging (cm)	Gross weight (kg)
<b>X01919</b>	Flat washbasin waste plug, fixed, ceramic, white	7,5x7,5x14,5	0,3
<b>X01920</b>	Flat washbasin waste plug, fixed, ceramic, matt white	7,5x7,5x14,5	0,3
<b>X01921</b>	Flat washbasin waste plug, fixed, ceramic, matt black	7,5x7,5x14,5	0,3
<b>X03068</b>	Flat washbasin waste plug, fixed, ceramic, anthracite	7,5x7,5x14,5	0,3
<b>X03069</b>	Flat washbasin waste plug, fixed, ceramic, Deepsea Blue	7,5x7,5x14,5	0,3
<b>X03070</b>	Flat washbasin waste plug, fixed, ceramic, Grey Green	7,5x7,5x14,5	0,3
<b>X03071</b>	Flat washbasin waste plug, fixed, ceramic, Smoke Grey	7,5x7,5x14,5	0,3
<b>X03072</b>	Flat washbasin waste plug, fixed, ceramic, Alabaster Pink	7,5x7,5x14,5	0,3

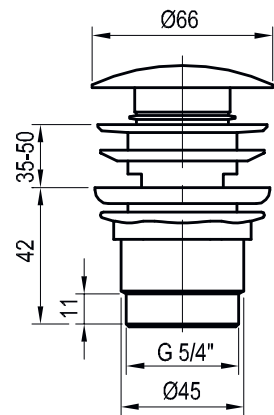
Products are delivered within 14 days as standard.

# Washbasin accessories



Illustrative photo

Order No.	Type	Size of packaging (cm)	Gross weight (kg)
<b>X03048</b>	Washbasin waste plug, ClickClack/fixed, Graphite Brushed	7,5x7,5x14,5	0,3
<b>X01841</b>	Washbasin waste plug, ClickClack/fixed, Rose Gold Brushed	7,5x7,5x14,5	0,3
<b>X03051</b>	Washbasin waste plug, ClickClack/fixed, Gold Brushed	7,5x7,5x14,5	0,3



Order No.	Type	Size of packaging (cm)	Gross weight (kg)
<b>X01437</b>	Washbasin waste plug, ClickClack, low, chrome	7x7x11	0,3

# ravak® Washbasin accessories

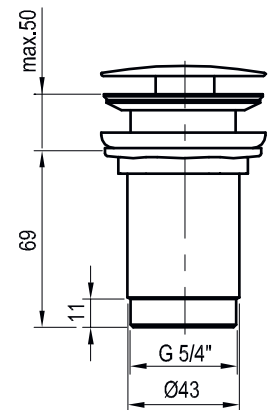


3

3-YEAR  
WARRANTY

CuZn

METAL  
DESIGN



Order No.	Type	Size of packaging (cm)	Gross weight (kg)
<b>X01439</b>	Washbasin waste plug, fixed, chrome	7,5x7,5x14,5	0,3
<b>X01799</b>	Washbasin waste plug, fixed, matt white	7,5x7,5x14,5	0,3
<b>X01762</b>	Washbasin waste plug, fixed, black	7,5x7,5x14,5	0,4

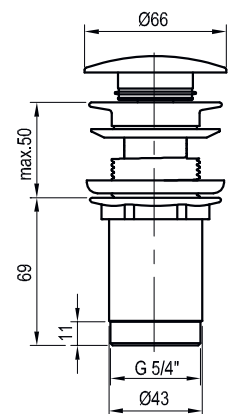


3

3-YEAR  
WARRANTY

CuZn

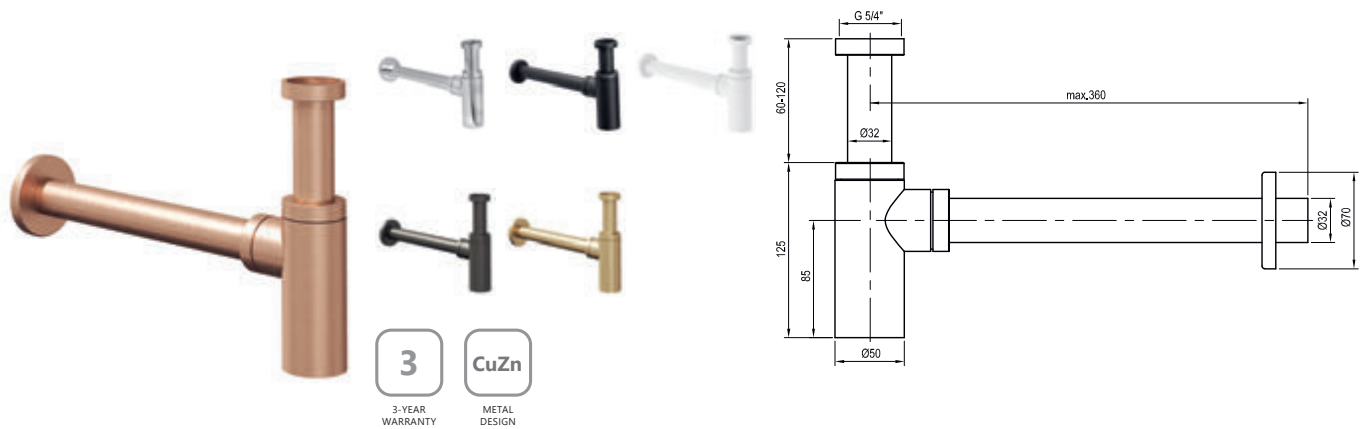
METAL  
DESIGN



Order No.	Type	Size of packaging (cm)	Gross weight (kg)
<b>X01373</b>	Washbasin waste plug, ClickClack, chrome	7,5x7,5x14,5	0,4
<b>X01836</b>	Washbasin waste plug, ClickClack, matt white	7,5x7,5x14,5	0,4
<b>X01748</b>	Washbasin waste plug, ClickClack, black	7,5x7,5x14,5	0,4

Products are delivered within 14 days as standard.

# Washbasin accessories



Order No.	Type	Size of packaging (cm)	Gross weight (kg)
<b>X01371</b>	Washbasin waste trap, chrome	15x7x36	0,8
<b>X01800</b>	Washbasin waste trap, matt white	15x7x36	0,8
<b>X01747</b>	Washbasin waste trap, black	15x7x36	0,9
<b>X01834</b>	Washbasin waste trap, Graphite Brushed	15x7x36	0,9
<b>X01842</b>	Washbasin waste trap, Rose Gold Brushed	15x7x36	1,2
<b>X03052</b>	Washbasin waste trap, Gold Brushed	15x7x36	1,2



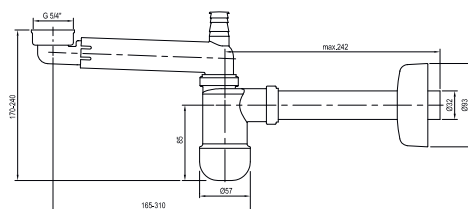
Order No.	Type	Size of packaging (cm)	Gross weight (kg)
<b>X01436</b>	Washbasin U-bend waste trap, chrome	4x12x34	0,4

# ravak® Washbasin accessories



2

2-YEAR WARRANTY



Order No.	Type	Size of packaging (cm)	Gross weight (kg)
<b>X01612</b>	Furniture washbasin waste trap	20x9x40	0,3

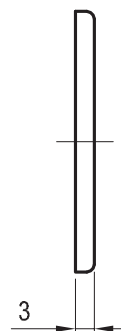
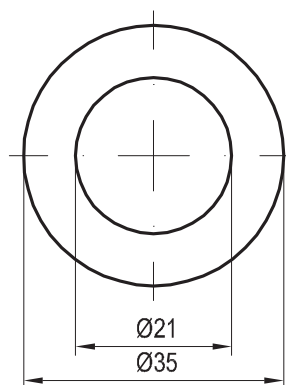


3

3-YEAR WARRANTY

CuZn

METAL DESIGN



Order No.	Type	Size of packaging (cm)	Gross weight (kg)
<b>X01807</b>	Washbasin overflow cover, matt white	10x10x5	0,8
<b>X01808</b>	Washbasin overflow cover, matt black	10x10x5	0,8
<b>X01832</b>	Washbasin overflow cover, Graphite Brushed	10x10x5	0,0
<b>X01833</b>	Washbasin overflow cover, Rose Gold Brushed	10x10x5	0,0

The chrome cover is part of the cast washbasins with an overflow.

Products are delivered within 14 days as standard.



# Furniture





5-YEAR WARRANTY



CONCEPTS



ANTI-MOISTURE FINISH



**Long-lasting in humid environments**

Our furniture is made from specially impregnated boards using AMT (Anti-Moisture Treatment) technology, making it durable even in the humid bathroom environment



**Quality metal fittings**

Drawers and doors are equipped with an automatic soft-closing system. The entire metal mechanism is tested for 100,000 cycles to ensure long-lasting durability



**Interconnected concepts**

Some of our furniture is a part of a concept, meaning you can coordinate its design with the rest of your bathroom equipment

**Full-extension drawers for 100% accessibility**

Thanks to the special drawer extension system, the entire interior is accessible – nothing is hidden at the back

**Delivered assembled**

We deliver furniture fully assembled – saving you time and hassle

Bathroom furniture



L and I countertops for countertop washbasins > 470



Mirrors > 472



Yard > 460



Lite > 464



Step > 476



Formy > 480



Chrome II > 484



Natural > 488



Comfort II > 492



Balance II > 496



Classic II > 500

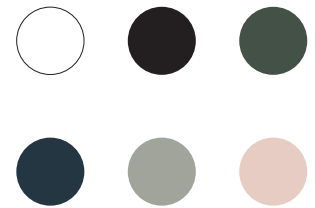


Clear II > 504



Veda > 508

# Yard



In six colour options that match the washbasins



Extra smart detail – the towel has its place



The shelves provide enough space for everything you need

## Organize your space with ease

The open Yard furniture perfectly mirrors the shape of the ceramic washbasin for which it is designed. With its simple yet precise craftsmanship, it creates an airy, standalone piece together with the washbasin.

### Don't miss it

1. Design by Vrtiška & Žák studio.
2. No bracket is required when combining a washbasin with furniture.
3. Combination of metal structure and wooden shelves in the same colour.
4. Furniture designed only for Yard washbasins.

Yard washbasins → 390

Taps → 538

Accessories → 672

Cleaning products → 693

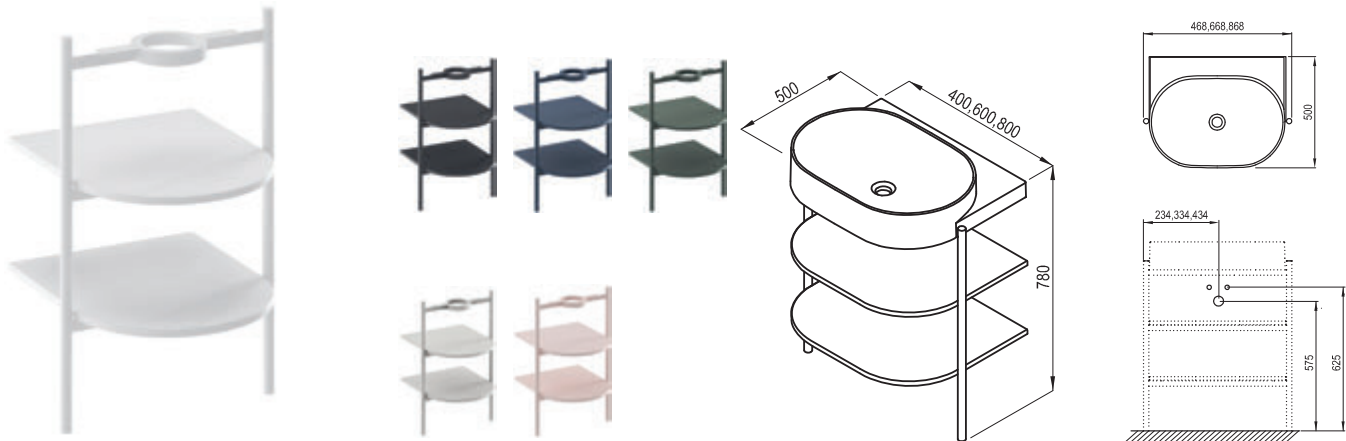
5

5-YEAR  
WARRANTY

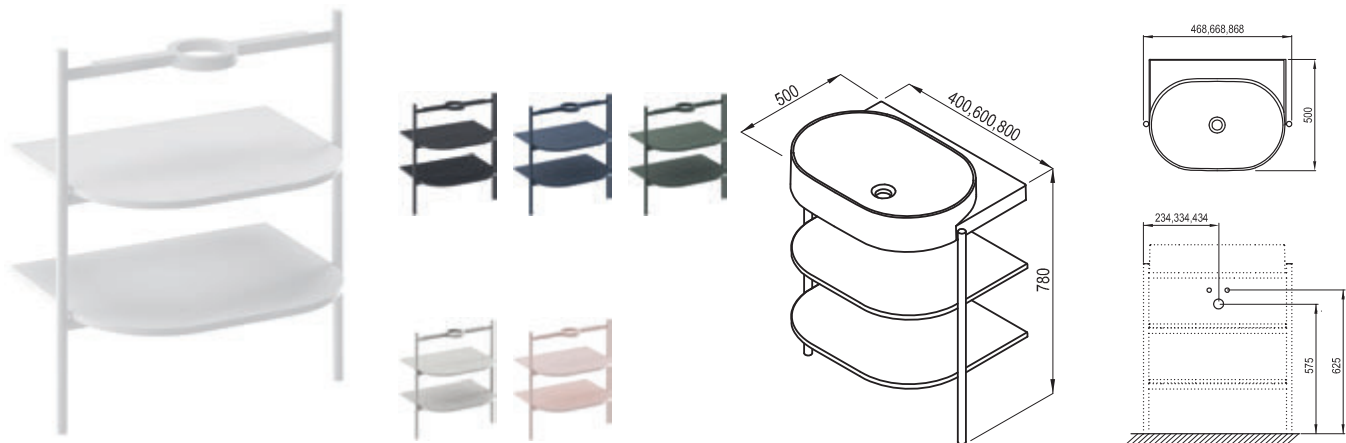
Finish

MATT  
WHITEMATT  
BLACKDEEPEA  
BLUEGREY  
GREENSMOKE  
GREYALABASTER  
PINK

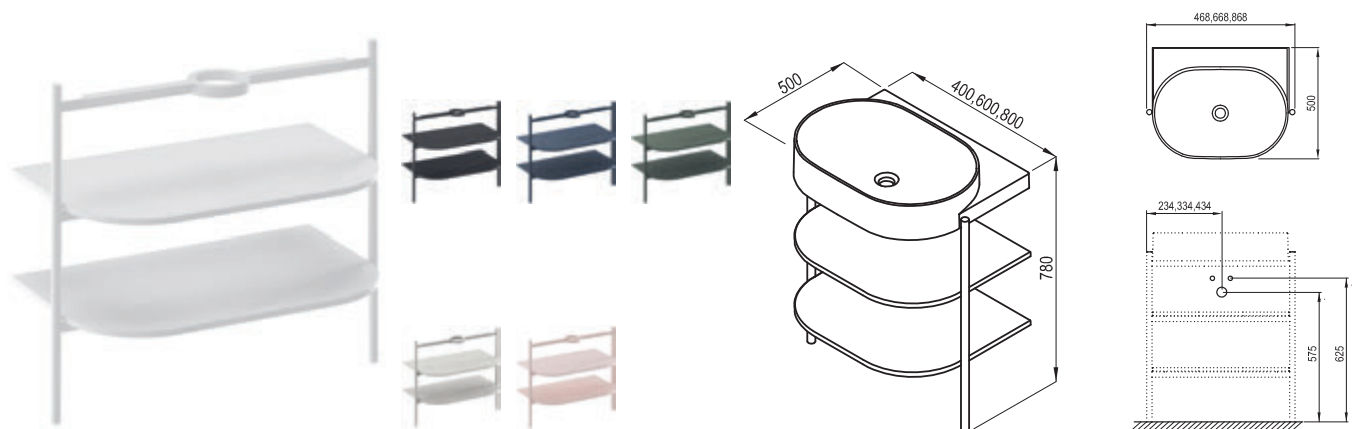
Yard



Order No.	Type	Dimensions (mm)	Size of packaging (cm)	Gross weight (kg)
<b>D80000E004</b>	CS Yard 40, matt white	468x495x765	49x17,5x79	11,2
<b>D80000D004</b>	CS Yard 40, matt black	468x495x765	49x17,5x79	11,2
<b>D800007004</b>	CS Yard 40, Deepsea Blue	468x495x765	49x17,5x79	11,2
<b>D800008004</b>	CS Yard 40, Grey Green	468x495x765	49x17,5x79	11,2
<b>D800000004</b>	CS Yard 40, Smoke Grey	468x495x765	49x17,5x79	11,2
<b>D80000G004</b>	CS Yard 40, Alabaster Pink	468x495x765	49x17,5x79	11,2



Order No.	Type	Dimensions (mm)	Size of packaging (cm)	Gross weight (kg)
<b>D80000E005</b>	CS Yard 60, matt white	668x495x765	71x17,5x79	15,2
<b>D80000D005</b>	CS Yard 60, matt black	668x495x765	71x17,5x79	15,2
<b>D800007005</b>	CS Yard 60, Deepsea Blue	668x495x765	71x17,5x79	15,2
<b>D800008005</b>	CS Yard 60, Grey Green	668x495x765	71x17,5x79	15,2
<b>D800000005</b>	CS Yard 60, Smoke Grey	668x495x765	71x17,5x79	15,2
<b>D80000G005</b>	CS Yard 60, Alabaster Pink	668x495x765	71x17,5x79	15,2



Order No.	Type	Dimensions (mm)	Size of packaging (cm)	Gross weight (kg)
<b>D80000E006</b>	CS Yard 80, matt white	868x495x765	91x17,5x79	18,8
<b>D80000D006</b>	CS Yard 80, matt black	868x495x765	91x17,5x79	18,8
<b>D800007006</b>	CS Yard 80, Deepsea Blue	868x495x765	91x17,5x79	18,8
<b>D800008006</b>	CS Yard 80, Grey Green	868x495x765	91x17,5x79	18,8
<b>D800000006</b>	CS Yard 80, Smoke Grey	868x495x765	91x17,5x79	18,8
<b>D80000G006</b>	CS Yard 80, Alabaster Pink	868x495x765	91x17,5x79	18,8



# Lite



Wide selection in six attractive colours for every bathroom



The edges of the furniture, at an angle of 45°, align perfectly



Smooth opening, silent closing

## When design meets practicality

The combination of visual lightness, functional simplicity and precise craftsmanship brings a unique solution for every space.

### Don't miss it

- 1.** Combinations of furniture and washbasins: The symmetrical furniture variant is compatible with all washbasins. The asymmetrical furniture variant is compatible only with the asymmetrical washbasin version.
- 2.** Available in straight and asymmetrical versions. The asymmetrical version is only available in sizes 80 and 120.
- 3.** Full-colour furniture design, i.e. including interior spaces.
- 4.** The furniture is delivered assembled.

Lite washbasins → 400

Taps → 538

Accessories → 672

Cleaning products → 693

5

5-YEAR  
WARRANTY

Finish

GLOSS  
WHITEMATT  
BLACK

DEEPSA BLUE



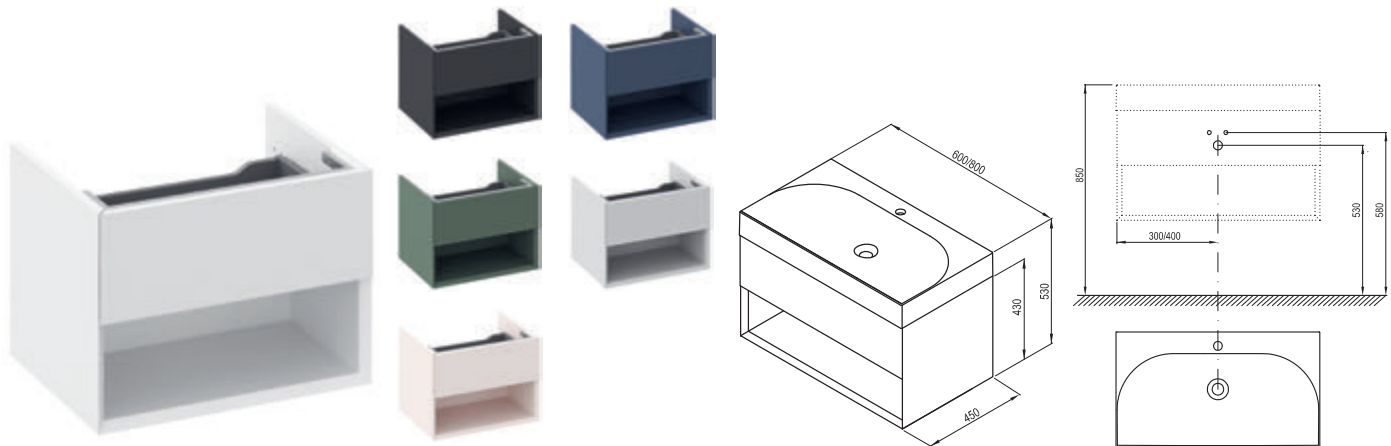
SMOKE GREY



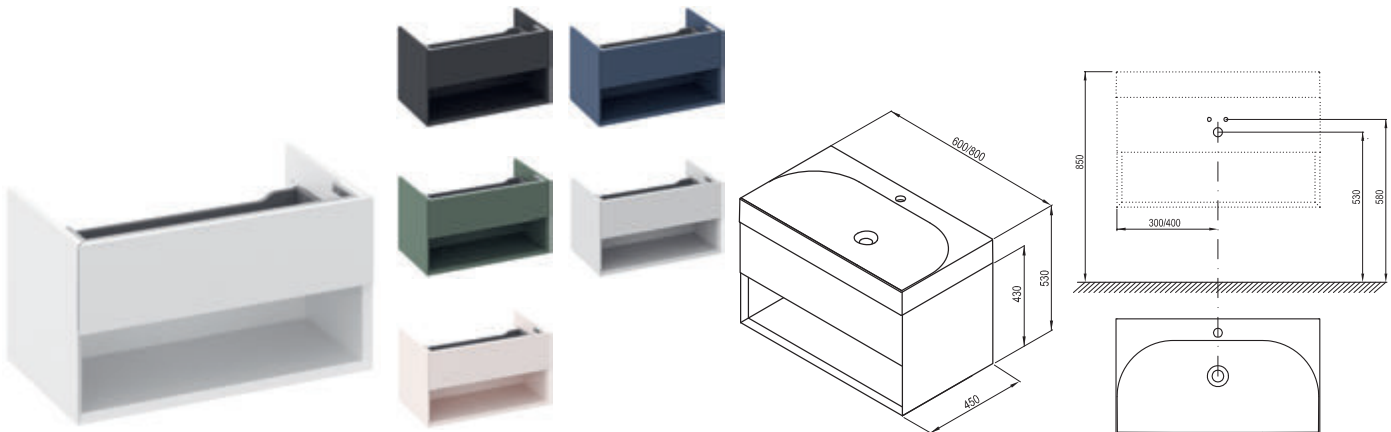
GREY GREEN

ALABASTER  
PINK

Lite

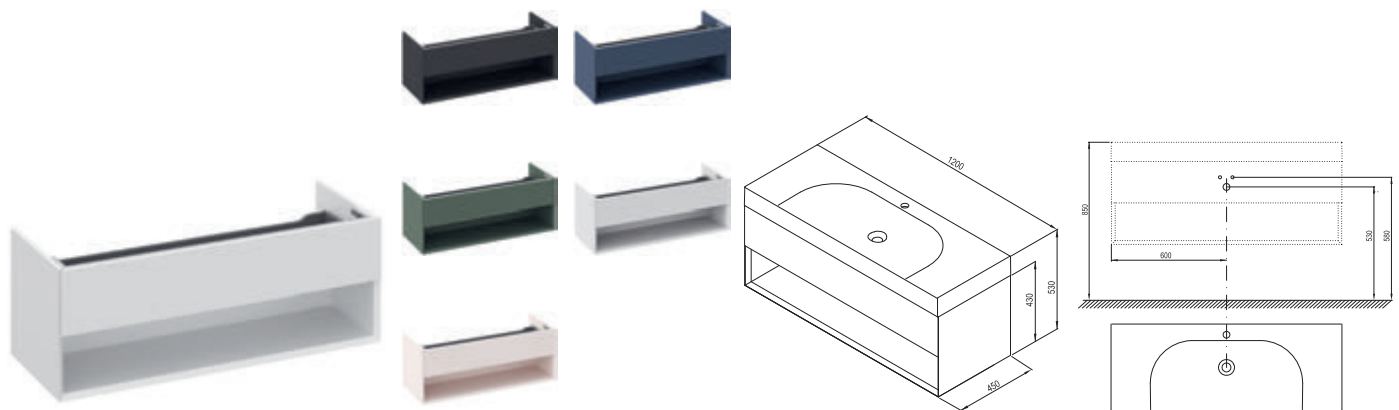


Order No.	Type	Dimensions (mm)	Size of packaging (cm)	Gross weight (kg)
X000001855	SD Lite 60, white	600x450x430	64,5x49,5x47,5	22,5
X000001856	SD Lite 60, matt black	600x450x430	64,5x49,5x47,5	22,5
X000001857	SD Lite 60, Deepsea Blue	600x450x430	64,5x49,5x47,5	22,5
X000001858	SD Lite 60, Grey Green	600x450x430	64,5x49,5x47,5	22,5
X000001859	SD Lite 60, Smoke Grey	600x450x430	64,5x49,5x47,5	22,5
X000001860	SD Lite 60, Alabaster Pink	600x450x430	64,5x49,5x47,5	22,5



Order No.	Type	Dimensions (mm)	Size of packaging (cm)	Gross weight (kg)
X000001861	SD Lite 80, white	800x450x430	84,5x49,5x47,5	26,0
X000001862	SD Lite 80, matt black	800x450x430	84,5x49,5x47,5	26,0
X000001863	SD Lite 80, Deepsea Blue	800x450x430	84,5x49,5x47,5	26,0
X000001864	SD Lite 80, Grey Green	800x450x430	84,5x49,5x47,5	26,0
X000001865	SD Lite 80, Smoke Grey	800x450x430	84,5x49,5x47,5	26,0
X000001866	SD Lite 80, Alabaster Pink	800x450x430	84,5x49,5x47,5	26,0

Products are delivered within 14 days as standard.



Order No.	Type	Dimensions (mm)	Size of packaging (cm)	Gross weight (kg)
<b>X000001867</b>	SD Lite 120, white	1200x450x430	124,5x49,5x47,5	34,5
<b>X000001868</b>	SD Lite 120, matt black	1200x450x430	124,5x49,5x47,5	34,5
<b>X000001869</b>	SD Lite 120, Deepsea Blue	1200x450x430	124,5x49,5x47,5	34,5
<b>X000001870</b>	SD Lite 120, Grey Green	1200x450x430	124,5x49,5x47,5	34,5
<b>X000001871</b>	SD Lite 120, Smoke Grey	1200x450x430	124,5x49,5x47,5	34,5
<b>X000001872</b>	SD Lite 120, Alabaster Pink	1200x450x430	124,5x49,5x47,5	34,5

5

5-YEAR  
WARRANTY

Finish

GLOSS  
WHITEMATT  
BLACK

DEEPSEA BLUE



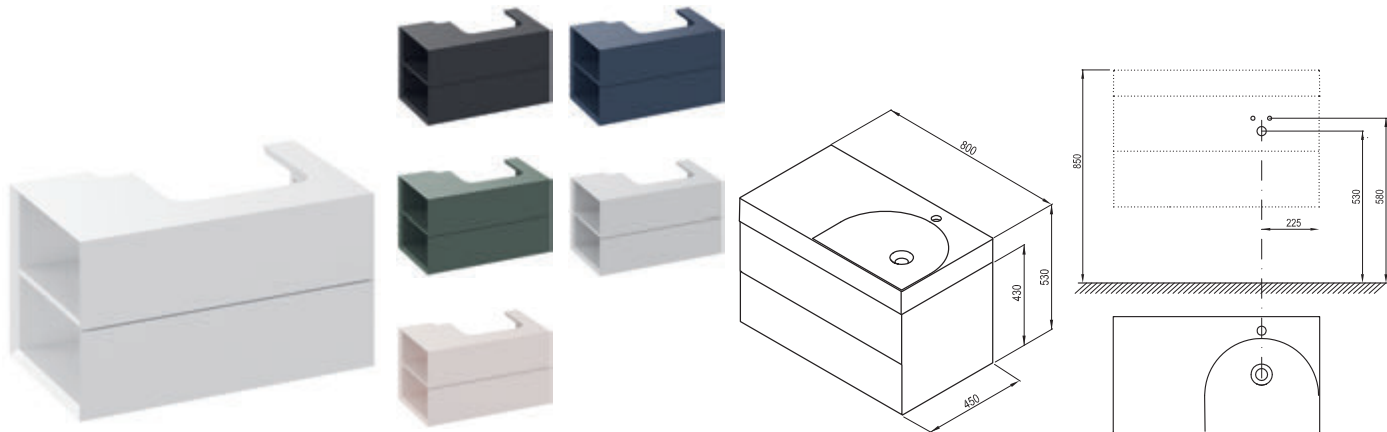
SMOKE GREY



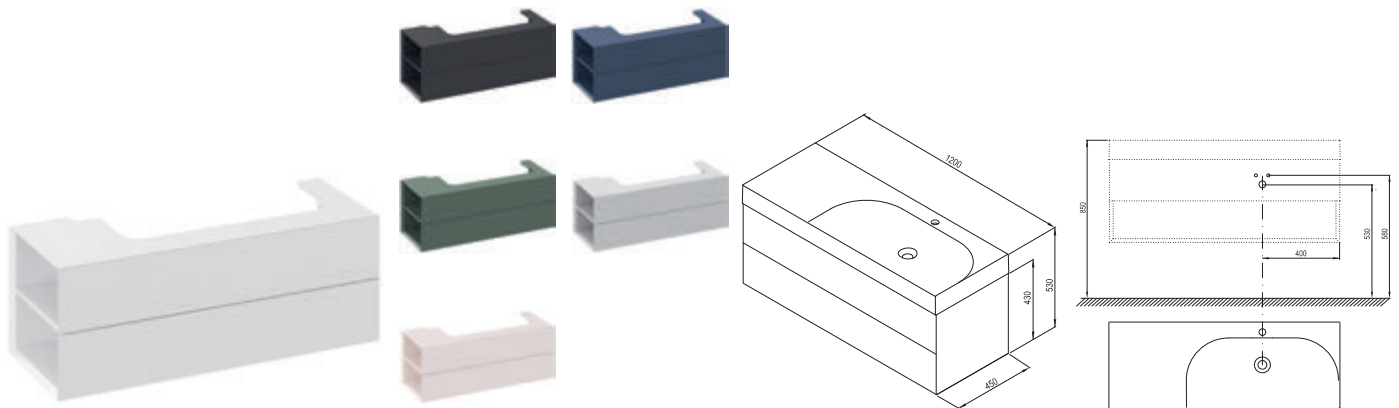
GREY GREEN

ALABASTER  
PINK

Lite



Order No.	Type	Dimensions (mm)	Size of packaging (cm)	Gross weight (kg)
X000001873	SD Lite 80 L, white	800x450x430	84,5x49,5x47,5	33,0
X000001885	SD Lite 80 R, white	800x450x430	84,5x49,5x47,5	33,0
X000001874	SD Lite 80 L, matt black	800x450x430	84,5x49,5x47,5	33,0
X000001886	SD Lite 80 R, matt black	800x450x430	84,5x49,5x47,5	33,0
X000001875	SD Lite 80 L, Deepsea Blue	800x450x430	84,5x49,5x47,5	33,0
X000001887	SD Lite 80 R, Deepsea Blue	800x450x430	84,5x49,5x47,5	33,0
X000001876	SD Lite 80 L, Grey Green	800x450x430	84,5x49,5x47,5	33,0
X000001888	SD Lite 80 R, Grey Green	800x450x430	84,5x49,5x47,5	33,0
X000001877	SD Lite 80 L, Smoke Grey	800x450x430	84,5x49,5x47,5	33,0
X000001889	SD Lite 80 R, Smoke Grey	800x450x430	84,5x49,5x47,5	33,0
X000001878	SD Lite 80 L, Alabaster Pink	800x450x430	84,5x49,5x47,5	33,0
X000001890	SD Lite 80 R, Alabaster Pink	800x450x430	84,5x49,5x47,5	33,0



Order No.	Type	Dimensions (mm)	Size of packaging (cm)	Gross weight (kg)
<b>X000001879</b>	SD Lite 120 L, white	1200x450x430	124,5x49,5x47,5	47,0
<b>X000001891</b>	SD Lite 120 R, white	1200x450x430	124,5x49,5x47,5	47,0
<b>X000001880</b>	SD Lite 120 L, matt black	1200x450x430	124,5x49,5x47,5	47,0
<b>X000001892</b>	SD Lite 120 R, matt black	1200x450x430	124,5x49,5x47,5	47,0
<b>X000001881</b>	SD Lite 120 L, Deepsea Blue	1200x450x430	124,5x49,5x47,5	47,0
<b>X000001893</b>	SD Lite 120 R, Deepsea Blue	1200x450x430	124,5x49,5x47,5	47,0
<b>X000001882</b>	SD Lite 120 L, Grey Green	1200x450x430	124,5x49,5x47,5	47,0
<b>X000001894</b>	SD Lite 120 R, Grey Green	1200x450x430	124,5x49,5x47,5	47,0
<b>X000001883</b>	SD Lite 120 L, Smoke Grey	1200x450x430	124,5x49,5x47,5	47,0
<b>X000001895</b>	SD Lite 120 R, Smoke Grey	1200x450x430	124,5x49,5x47,5	47,0
<b>X000001884</b>	SD Lite 120 L, Alabaster Pink	1200x450x430	124,5x49,5x47,5	47,0
<b>X000001896</b>	SD Lite 120 R, Alabaster Pink	1200x450x430	124,5x49,5x47,5	47,0

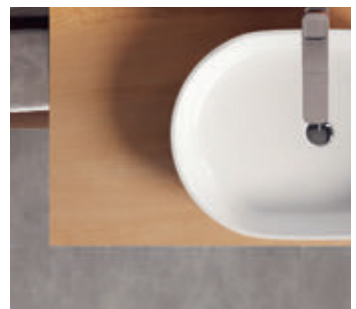


# L + I countertops

Countertops for standalone washbasins



L countertop



I countertop

Genuine wood veneer – natural look

## Modern solution for giving your bathroom an airy look

One shape in two colours and three sizes.

### Don't miss it

**1.**  
The furniture is delivered assembled.

**2.**  
L countertops have a pre-drilled hole for installing the waste plug.

**3.**  
I countertops don't have a pre-drilled hole for installing the waste plug.

L and I countertops come with mounting brackets.

L countertops are not compatible with Uni Slim B washbasins.

Standalone washbasins → 410

Taps → 538

Extras → 672

Bathtubs → 302

Detergents → 693

5

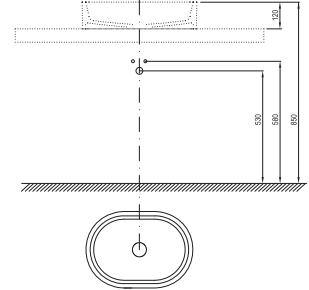
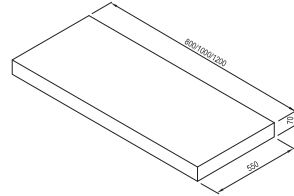
5-YEAR  
WARRANTYANTI-  
MOISTURE  
FINISH

Finish

GLOSS  
WHITEOAK  
VENEER

Standard panel material

# L + I countertops



Order No.	Type	Dimensions (mm)	Size of packaging (cm)	Gross weight (kg)
<b>X00000839</b>	Countertop I 80, white	800x550x70	85x60x12	15,0
<b>X00000840</b>	Countertop I 100, white	1000x550x70	105x60x12	17,5
<b>X00000841</b>	Countertop I 120, white	1200x550x70	125x60x12	19,0
<b>X00000842</b>	Countertop I 80, oak *	800x550x70	85x60x12	15,0
<b>X00000843</b>	Countertop I 100, oak *	1000x550x70	105x60x12	17,5
<b>X00000844</b>	Countertop I 120, oak *	1200x550x70	125x60x12	19,0

\*) Valid while stocks last.  
Products are delivered within 14 days as standard.

# Mirrors



Wide range of dimensions



All variants available with lighting

## Thoughtful offer

The right shape, size, frame colour, or mirror lighting can unify the design of any bathroom.

### Don't miss it

1. All mirrors are installed by hanging on the wall. They are ready to be connected to an external switch (230 V, 50 Hz) and include a transformer (24 V).
2. Oblong, Luna, and Orbit mirrors have an outer directional LED backlight around the perimeter behind the mirror. Strip mirrors have LED lighting integrated at the top of the frame.
3. Light colour: 4000 K (neutral)  
Degree of protection: IP 44
4. Luminous flux:  
Oblong 2070/2250/2430 lm  
Luna 975/1209/1482/1716 lm  
Orbit 1074/1356/1611/1893 lm  
Strip 207/360/450/540 lm
5. Power:  
Oblong 20,7/22,5/24,5 W  
Luna 12/14,9/18,2/21,1 W  
Orbit 10,7/13,6/16,1/18,9 W  
Strip 2,7/3,6/4,5/5,4 W

Furniture → 458

Washbasins → 388

Taps → 538

Bathtubs → 302

Detergents → 693

5

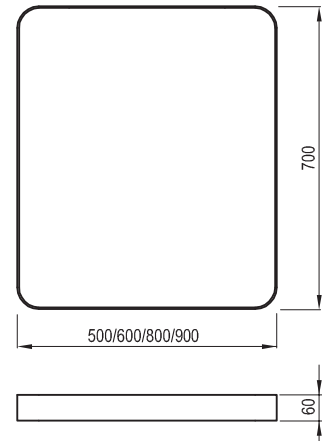
5-YEAR  
WARRANTY

WHITE

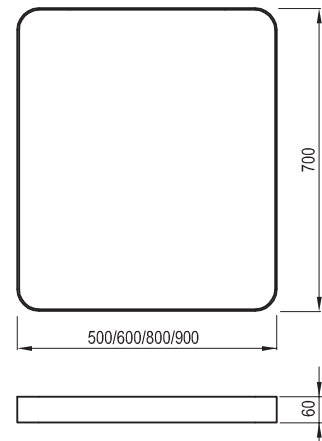


BLACK

# Mirrors

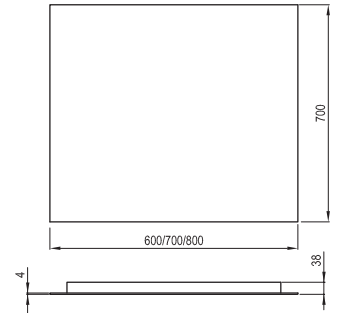


Order No.	Type	Dimensions (mm)	Size of packaging (cm)	Gross weight (kg)
<b>X000001565</b>	Strip mirror 50x70 with LED lighting, white	500x700x60	56x8x76	10,0
<b>X000001566</b>	Strip mirror 60x70 with LED lighting, white	600x700x60	66x8x76	12,0
<b>X000001567</b>	Strip mirror 80x70 with LED lighting, white	800x700x60	86x8x76	14,6
<b>X000001568</b>	Strip mirror 90x70 with LED lighting, white	900x700x60	96x8x76	16,9

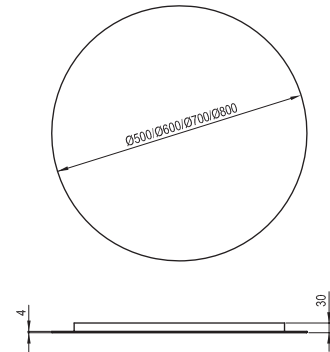


Order No.	Type	Dimensions (mm)	Size of packaging (cm)	Gross weight (kg)
<b>X000001569</b>	Strip mirror 50x70 with LED lighting, black	500x700x60	56x8x76	10,0
<b>X000001570</b>	Strip mirror 60x70 with LED lighting, black	600x700x60	66x8x76	12,0
<b>X000001571</b>	Strip mirror 80x70 with LED lighting, black	800x700x60	86x8x76	14,6
<b>X000001572</b>	Strip mirror 90x70 with LED lighting, black	900x700x60	96x8x76	16,9

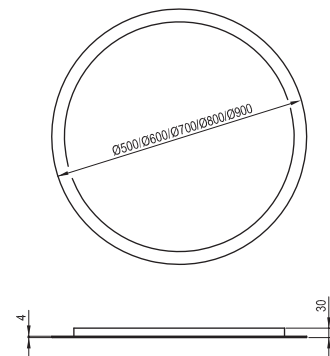
Mirror installation requirements: Electrical supply with a minimum cable length of 50 cm connected to an external switch. The power supply must be protected by a 30 mA residual-current device (RCD).  
Products are delivered within 14 days as standard.



Order No.	Type	Dimensions (mm)	Size of packaging (cm)	Gross weight (kg)
<b>X000001562</b>	Oblong mirror 60x70 with LED lighting	600x700x38	66x6x76	9,8
<b>X000001563</b>	Oblong mirror 70x70 with LED lighting	700x700x38	76x6x76	11,2
<b>X000001564</b>	Oblong mirror 80x70 with LED lighting	800x700x38	86x6x76	12,5



Order No.	Type	Dimensions (mm)	Size of packaging (cm)	Gross weight (kg)
<b>X000001577</b>	Luna mirror 50 with LED lighting	Ø 500x30	56x6x56	5,5
<b>X000001578</b>	Luna mirror 60 with LED lighting	Ø 600x30	66x6x66	7,4
<b>X000001579</b>	Luna mirror 70 with LED lighting	Ø 700x30	76x6x76	9,6
<b>X000001580</b>	Luna mirror 80 with LED lighting	Ø 800x30	86x6x86	12,4



Order No.	Type	Dimensions (mm)	Size of packaging (cm)	Gross weight (kg)
<b>X000001573</b>	Orbit mirror 50 with LED lighting	Ø 500x30	56x6x56	5,4
<b>X000001574</b>	Orbit mirror 60 with LED lighting	Ø 600x30	66x6x66	7,5
<b>X000001575</b>	Orbit mirror 70 with LED lighting	Ø 700x30	76x6x76	9,6
<b>X000001576</b>	Orbit mirror 80 with LED lighting	Ø 800x30	86x6x86	12,5

# Step



LED lighting in the top of the mirror cabinet



Practical double-sided mirror



Genuine wood veneer – natural look

## Modern solution with maximum storage space

Subtle frame and a design in the style of overlapping boards define the delicate, clean character of the furniture set.

### Don't miss it

1. The furniture is delivered assembled. Soft and quiet closing of the drawer and door.
2. SD Step has a pre-drilled hole for installing a waste plug and features one fully extendable drawer.
3. SB Step can be rotated according to the required door opening direction. It includes one wooden and four glass shelves.
4. Step mirror cabinet includes LED lighting designed for connection to an external switch (230 V, 50 Hz) and is supplied with a transformer (24 V).
5. Light colour: 6000-6500 K  
Luminous flux: 3600 lm  
Degree of protection: IP 44  
Power: 13.2 W

Standalone washbasins → 410

Taps → 538

Extras → 672

Bathtubs → 302

Detergents → 693

5

5-YEAR  
WARRANTYANTI-  
MOISTURE  
FINISH

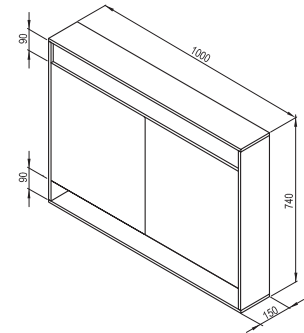
Body finish

GLOSS  
WHITE

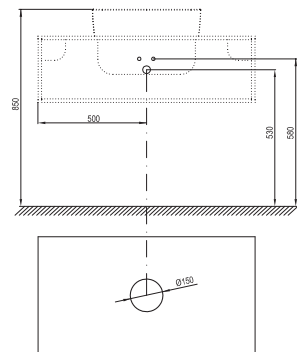
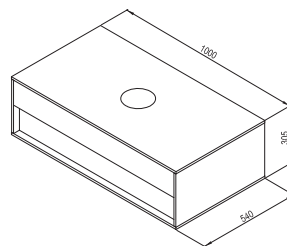
Door finish

GLOSS  
WHITEOAK  
VENEER

Step



Order No.	Type	Dimensions (mm)	Size of packaging (cm)	Gross weight (kg)
<b>X000001421</b>	MC Step 100, white	1000x150x740	105x20x79	22,7



Order No.	Type	Dimensions (mm)	Size of packaging (cm)	Gross weight (kg)
<b>X000001417</b>	SD Step 100, white/oak	1000x540x305	105x59x35	35,7
<b>X000001429</b>	SD Step 100, white/white	1000x540x305	105x59x35	35,7

Mirror installation requirements: Electrical supply with a minimum cable length of 50 cm connected to an external switch. The power supply must be protected by a 30 mA residual-current device (RCD).  
Products are delivered within 14 days as standard.



5

5-YEAR WARRANTY



ANTI-MOISTURE FINISH

Body finish



GLOSS WHITE

Door finish

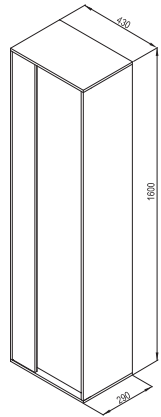


GLOSS WHITE



OAK VENEER

# Step



Order No.	Type	Dimensions (mm)	Size of packaging (cm)	Gross weight (kg)
X000001419	SB Step 43, white/oak	430x290x1600	48x34x165	32,4
X000001430	SB Step 43, white/white	430x290x1600	48x34x165	32,4



Products are delivered within 14 days as standard.

# Formy



Genuine oak or walnut veneer



Smooth and seamless look thanks to the absence of handles

design nosal<sup>©</sup>

Original design from the studio of Czech designer K. Nosál

## Ideal way to combine a countertop washbasin and storage space

Despite its practicality and large storage capacity, Formy furniture does not appear bulky or visually overwhelm the bathroom.

### Don't miss it

- 1.** The furniture is delivered assembled.
- 2.** Pre-drilled hole for installing the waste plug.
- 3.** SD and SB cabinets feature a tip-on opening mechanism.
- 4.** Soft and quiet closing of drawers and doors.
- 5.** SD Formy 800 vanity unit with one drawer. SD Formy 1000/1200 vanity unit with two drawers.

Standalone washbasins → 410

Taps → 538

Extras → 672

Bathtubs → 302

Detergents → 693



5-YEAR WARRANTY



ANTI-MOISTURE FINISH

Finish



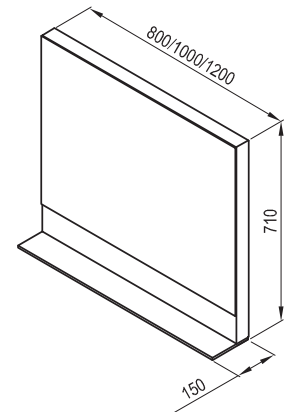
GLOSS WHITE



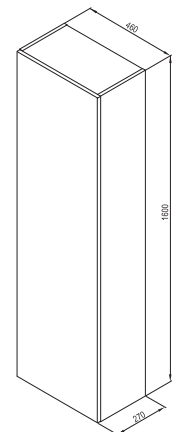
OAK VENEER



WALNUT VENEER

**Formy**

Order No.	Type	Dimensions (mm)	Size of packaging (cm)	Gross weight (kg)
<b>X000001044</b>	Formy mirror 80, white	800x150x710	86x77x10	30,0
<b>X000000983</b>	Formy mirror 100, white	1000x150x710	106x77x10	37,0
<b>X000001045</b>	Formy mirror 120, white	1200x150x710	126x77x10	44,0
<b>X000001046</b>	Formy mirror 80, oak	800x150x710	86x77x10	30,0
<b>X000001047</b>	Formy mirror 100, oak	1000x150x710	106x77x10	37,0
<b>X000001048</b>	Formy mirror 120, oak	1200x150x710	126x77x10	44,0
<b>X000001049</b>	Formy mirror 80, walnut	800x150x710	86x77x10	30,0
<b>X000001050</b>	Formy mirror 100, walnut	1000x150x710	106x77x10	37,0
<b>X000000984</b>	Formy mirror 120, walnut	1200x150x710	126x77x10	44,0



Order No.	Type	Dimensions (mm)	Size of packaging (cm)	Gross weight (kg)
<b>X000001260</b>	SB Formy 46, white	460x270x1600	52x33x166	28,5
<b>X000001261</b>	SB Formy 46, oak	460x270x1600	52x33x166	28,5
<b>X000001262</b>	SB Formy 46, walnut	460x270x1600	52x33x166	28,5



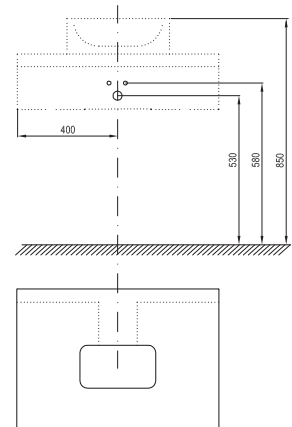
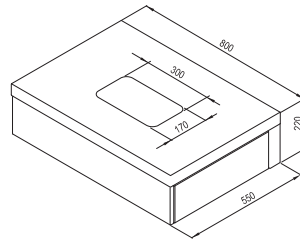
5

5-YEAR  
WARRANTYANTI-  
MOISTURE  
FINISH

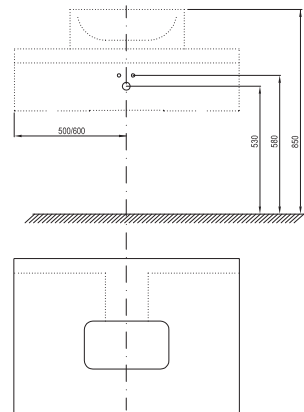
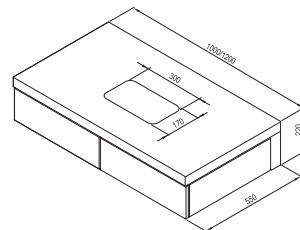
Finish

GLOSS  
WHITEOAK  
VENEERWALNUT  
VENEER

Formy



Order No.	Type	Dimensions (mm)	Size of packaging (cm)	Gross weight (kg)
X000001029	SD Formy 80, white	800x550x220	86x28x61	37,0
X000001032	SD Formy 80, oak	800x550x220	86x28x61	37,0
X000001035	SD Formy 80, walnut	800x550x220	86x28x61	37,0



Order No.	Type	Dimensions (mm)	Size of packaging (cm)	Gross weight (kg)
X000001030	SD Formy 100, white	1000x550x220	106x28x61	46,0
X000001033	SD Formy 100, oak	1000x550x220	106x28x61	46,0
X000001036	SD Formy 100, walnut	1000x550x220	106x28x61	46,0
X000001031	SD Formy 120, white	1200x550x220	126x28x61	56,0
X000001034	SD Formy 120, oak	1200x550x220	126x28x61	56,0
X000001037	SD Formy 120, walnut	1200x550x220	126x28x61	56,0

Products are delivered within 14 days as standard.

# Chrome II



Enough space to store everything you need



Part of Chrome: the broadest bathroom concept on the market

design nosal<sup>©</sup>

Original design from the studio of Czech designer K. Nosál

## The broadest range of bathroom equipment in matching design

The Chrome vanity unit range includes everything from spacious units for double washbasins, to models for three sizes of classic washbasins, and to compact options for small washbasins typically found in toilets.

### Don't miss it

1. The furniture is delivered assembled.
2. For SD Chrome II 40, the body and door must be ordered separately.
3. The SD Chrome II 120 vanity unit features an integrated, low drawer with an independent opening mechanism on the right side.
4. Soft and quiet closing of drawers and doors.
5. Handles are available in chrome, black, and white.

Washbasins → 426

Taps → 596

Accessories → 680

Bathtubs → 334

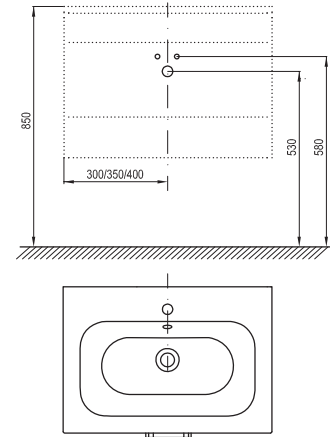
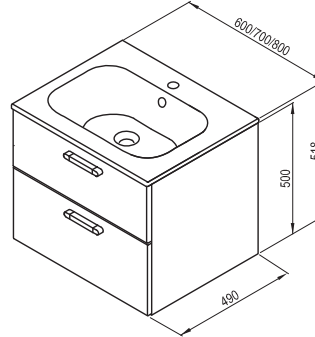
Shower enclosures → 88



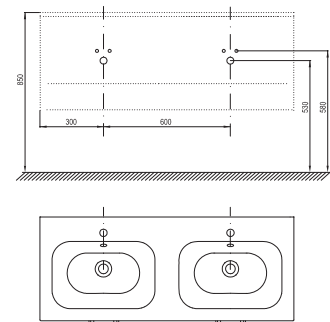
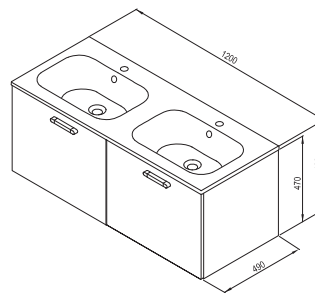
Handle finish



# Chrome II



Order No.	Type	Dimensions (mm)	Size of packaging (cm)	Gross weight (kg)
X000001772	SD Chrome II 60, white, handle 152 mm, chrome	600x490x500	64x53x54	27,0
X000001744	SD Chrome II 60, white, handle 152 mm, black	600x490x500	64x53x54	27,0
X000001776	SD Chrome II 60, white, handle 152 mm, white	600x490x500	64x53x54	27,0
X000001773	SD Chrome II 70, white, handle 152 mm, chrome	700x490x500	74x53x54	30,5
X000001745	SD Chrome II 70, white, handle 152 mm, black	700x490x500	74x53x54	30,5
X000001777	SD Chrome II 70, white, handle 152 mm, white	700x490x500	74x53x54	30,5
X000001774	SD Chrome II 80, white, handle 152 mm, chrome	800x490x500	84x53x54	32,5
X000001746	SD Chrome II 80, white, handle 152 mm, black	800x490x500	84x53x54	32,5
X000001778	SD Chrome II 80, white, handle 152 mm, white	800x490x500	84x53x54	32,5



Order No.	Type	Dimensions (mm)	Size of packaging (cm)	Gross weight (kg)
X000001775	SD Chrome II 120, white, handle 152 mm, chrome	1200x490x470	54x56x126	51,5
X000001779	SD Chrome II 120, white, handle 152 mm, white	1200x490x470	54x56x126	51,5
X000001747	SD Chrome II 120, white, handle 152 mm, black	1200x490x470	54x56x126	51,5





5-YEAR WARRANTY



ANTI-MOISTURE FINISH



CONCEPTS

Finish



GLOSS WHITE

Handle finish



CHROME

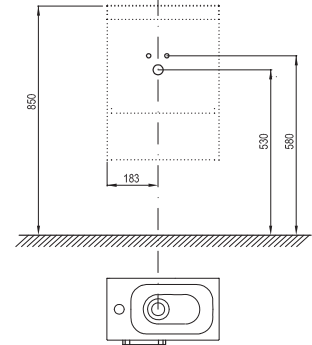
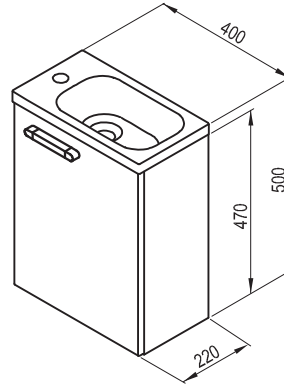


BLACK

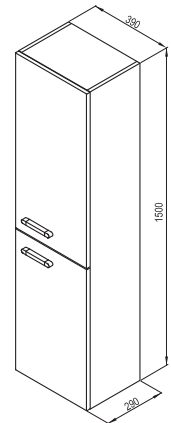


WHITE

# Chrome II



Order No.	Type	Dimensions (mm)	Size of packaging (cm)	Gross weight (kg)
<b>X000000538</b>	SD Chrome II 40 body, white, handle 152 mm, chrome	400x204x470	54x42x127	6,0
<b>X000001750</b>	SD Chrome II 40 body, white, handle 152 mm, black	400x204x470	54x42x127	6,0
<b>X000001782</b>	SD Chrome II 40 body, white, handle 152 mm, white	400x204x470	54x42x127	6,0
<b>X000000540</b>	SD Chrome II 40 door L, white	400x16x470	54x39x3,5	3,0
<b>X000000541</b>	SD Chrome II 40 door R, white	400x16x470	54x39x3,5	3,0



Order No.	Type	Dimensions (mm)	Size of packaging (cm)	Gross weight (kg)
<b>X000000542</b>	SB Chrome 39 L, white, handle 152 mm, chrome	390x290x1500	54x42x127	27,5
<b>X000000543</b>	SB Chrome 39 R, white, handle 152 mm, chrome	390x290x1500	44x42x127	27,5
<b>X000001748</b>	SB Chrome II 39 L, white, handle 152 mm, black	390x290x1500	44x42x127	26,5
<b>X000001749</b>	SB Chrome II 39 R, white, handle 152 mm, black	390x290x1500	44x42x127	26,5
<b>X000001780</b>	SB Chrome II 39 L, white, handle 152 mm, white	390x290x1500	44x42x127	26,5
<b>X000001781</b>	SB Chrome II 39 R, white, handle 152 mm, white	390x290x1500	44x42x127	26,5

# Natural



Ample storage capacity



Washbasin vanity units with a depth of only 45 cm

Mirror with integrated light

## Room for your creativity

Gives you room to create your own combinations of open surfaces and enclosed storage spaces.

### Don't miss it

**1.**  
The furniture is delivered assembled.

**2.**  
SD and SB cabinets feature a tip-on opening mechanism.

**3.**  
Simply without handles. Just press lightly on the Natural cabinets and the doors and drawers open and close by themselves.

Light colour: 4000-4200 K  
Luminous flux: 540/760/1380 lm  
Degree of protection: IP 21

Power:  
4,5/7,5/11,5 W

Washbasins → 430

Taps → 538

Extras → 672

Bathtubs → 302

Shower enclosures → 18

**5**

5-YEAR WARRANTY

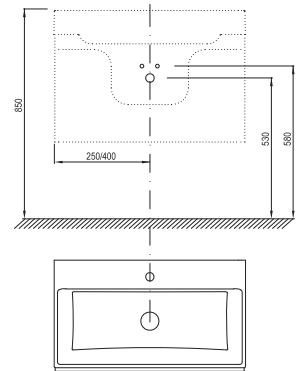
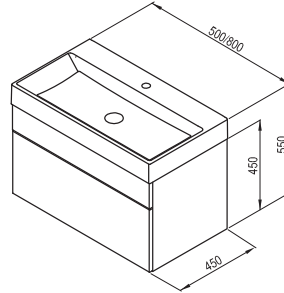


ANTI-MOISTURE FINISH

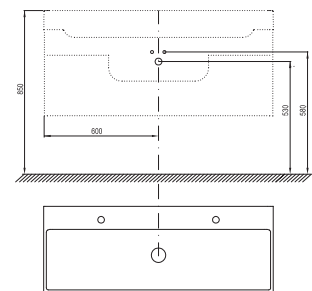
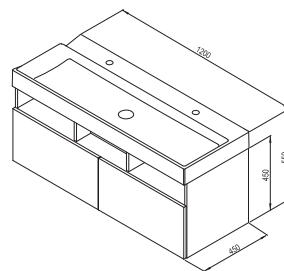
Finish



GLOSS WHITE

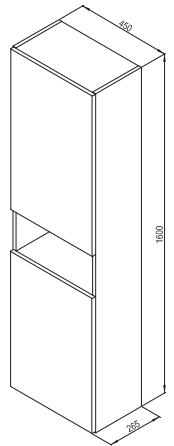
**Natural**

Order No.	Type	Dimensions (mm)	Size of packaging (cm)	Gross weight (kg)
<b>X000001051</b>	SD Natural 50, white	500x450x450	56x51x51	30,0
<b>X000001052</b>	SD Natural 80, white	800x450x450	86x51x51	37,0



Order No.	Type	Dimensions (mm)	Size of packaging (cm)	Gross weight (kg)
<b>X000001053</b>	SD Natural 120, white	1200x450x450	126x51x51	60,0

# ravak® Bathroom furniture



Order No.	Type	Dimensions (mm)	Size of packaging (cm)	Gross weight (kg)
<b>X000001789</b>	SB Natural 45, white	450x265x1600	165x31,5x50	28,9

5

5-YEAR  
WARRANTY



ANTI-  
MOISTURE  
FINISH

Finish



GLOSS  
WHITE

**Natural**



# Comfort II



Metal towel holder – style and convenience at your fingertips



Choice of handle in chrome, black or white



Tall cabinets in two depth options – 16 and 32 cm

## Unmatched versatility

Combining a countertop with any ceramic countertop washbasin, or a vanity unit with a Comfort range vanity-unit washbasin, allows you to create a myriad of solutions to suit every need.

### Don't miss it

- 1.** The handle is not included in the product. You need to order 2 handles for the cabinet and 1 for the tall cabinet.
- 2.** The holes for the handles are pre-drilled.
- 3.** For use with a Comfort washbasin or Comfort countertop. When combined with the washbasin, a washbasin waste trap with fixed plug (Order No. X01723) must be used.
- 4.** The countertops do not have a pre-drilled hole for installing the waste plug, allowing flexible placement of the washbasin and tap.
- 5.** To install the countertop without a vanity unit, or when using a Comfort 120 countertop with a single vanity unit, a bracket must be used.

Comfort washbasins → 434

Taps → 538

Accessories → 672

Cleaning products → 693

Shower enclosures → 18



5-YEAR WARRANTY



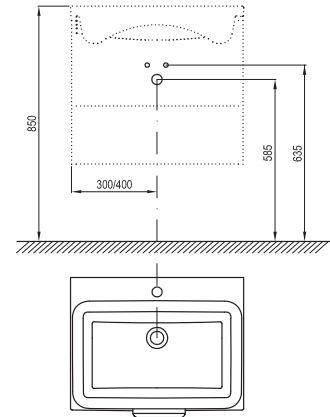
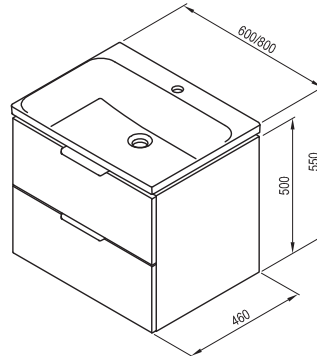
ANTI-MOISTURE FINISH

Finish

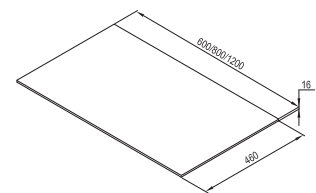


GLOSS WHITE

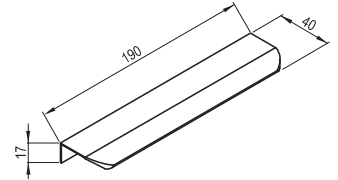
# Comfort II



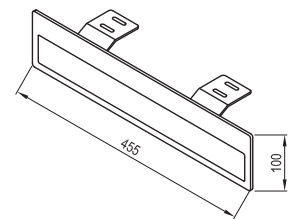
Order No.	Type	Dimensions (mm)	Size of packaging (cm)	Gross weight (kg)
<b>X000001818</b>	SD Comfort II 60, white/white	600x460x500	64,1x56,1x50,5	27,0
<b>X000001819</b>	SD Comfort II 80, white/white	800x460x500	84,1x56,1x50,5	31,0
<b>X000001825</b>	Comfort II handle 01, chrome	190x40x17	25x3,5x5,5	0,1
<b>X000001826</b>	Comfort II handle 01, white	190x40x17	25x3,5x5,5	0,1
<b>X000001827</b>	Comfort II handle 01, black	190x40x17	25x3,5x5,5	0,1
<b>XJX01260001</b>	Comfort 60 washbasin, with hole for tap, without overflow, white	600x460x160	64x50x16	14,7
<b>XJX01280001</b>	Comfort 80 washbasin, with hole for tap, without overflow, white	800x460x160	84x50x16	16,7
<b>X01723</b>	Washbasin waste trap with fixed outlet, chrome	Ø 70x155-243x245	25,2x18x10	0,6



Order No.	Type	Dimensions (mm)	Size of packaging (cm)	Gross weight (kg)
<b>X000001379</b>	Comfort countertop 60, white	600x465x16	64,5x5,3x51	4,7
<b>X000001380</b>	Comfort countertop 80, white	800x465x16	84,5x5,3x51	6,4
<b>X000001381</b>	Comfort countertop 120, white	1200x465x16	124,5x5,3x51	9,2
<b>X000001375</b>	Balance/Comfort countertop 120 bracket	200x360x110	37,5x5x13,5	3,0
<b>X000001384</b>	Comfort towel holder, white	5x100x455	47x8,5x15	2,0



Order No.	Type	Dimensions (mm)	Size of packaging (cm)	Gross weight (kg)
<b>X000001825</b>	Comfort II handle 01, chrome	190x40x17	25x3,5x5,5	0,1
<b>X000001826</b>	Comfort II handle 01, white	190x40x17	25x3,5x5,5	0,1
<b>X000001827</b>	Comfort II handle 01, black	190x40x17	25x3,5x5,5	0,1



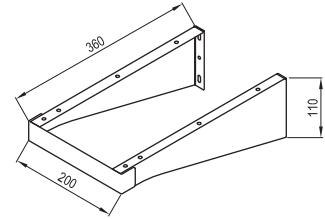
Order No.	Type	Dimensions (mm)	Size of packaging (cm)	Gross weight (kg)
<b>X000001384</b>	Comfort towel holder, white	5x100x455	47x8,5x15	2,0

**5**5-YEAR  
WARRANTYANTI-  
MOISTURE  
FINISH

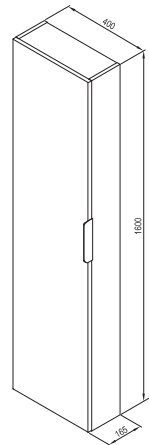
Finish

GLOSS  
WHITE

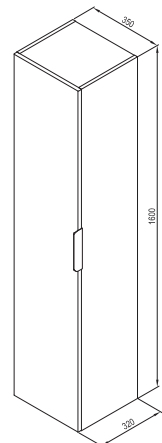
# Comfort II



Order No.	Type	Dimensions (mm)	Size of packaging (cm)	Gross weight (kg)
<b>X000001375</b>	Balance/Comfort countertop 120 bracket	200x360x110	37,5x5x13,5	3,0



Order No.	Type	Dimensions (mm)	Size of packaging (cm)	Gross weight (kg)
<b>X000001820</b>	SB Comfort II 40, white/white	400x165x1600	164,5x21,5x44,5	25,0



Order No.	Type	Dimensions (mm)	Size of packaging (cm)	Gross weight (kg)
<b>X000001821</b>	SB Comfort II 35, white/white	350x320x1600	164,5x36,5x39,5	29,4

Products are delivered within 14 days as standard.

# Balance II



Metal towel holder – an elegant detail for your comfort



Subtle touch that matches – handles in chrome, black and white



Extra slim tall cabinet – only 17 cm

## Unmatched versatility

Combining a countertop with any ceramic countertop washbasin, or a vanity unit with a Balance range vanity-unit washbasin, allows you to create a myriad of solutions to suit every need.

### Don't miss it

- 1.** The handle is not included in the product. You need to order 2 handles for the cabinet and 1 for the tall cabinet.
- 2.** The holes for the handles are pre-drilled.
- 3.** For use with a Balance washbasin or Balance countertop. When combined with the washbasin, a washbasin waste trap with fixed plug (Order No. X01723) must be used.
- 4.** The countertops do not have a pre-drilled hole for installing the waste plug, allowing flexible placement of the washbasin and tap.
- 5.** To install the countertop without a vanity unit, or when using a Balance 120 countertop with a single vanity unit, a bracket must be used.

Balance washbasins → 436

Taps → 538

Accessories → 672

Cleaning products → 693

Shower enclosures → 18



5-YEAR WARRANTY



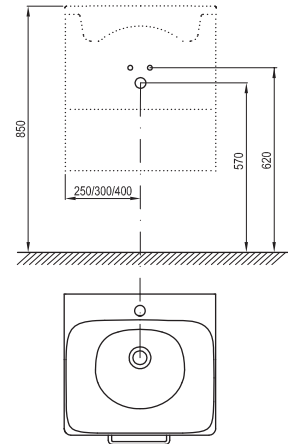
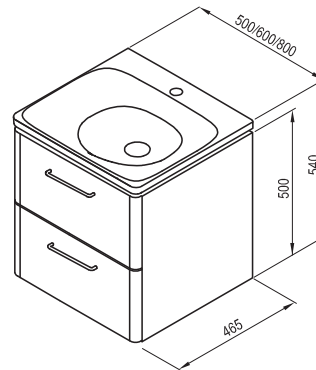
ANTI-MOISTURE FINISH

Finish

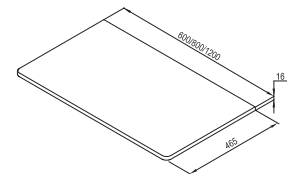


GLOSS WHITE

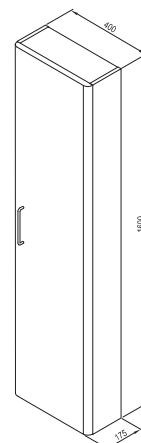
# Balance II



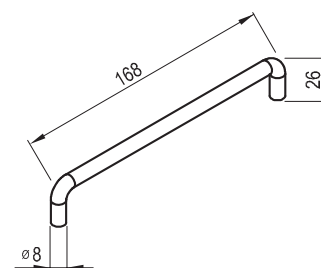
Order No.	Type	Dimensions (mm)	Size of packaging (cm)	Gross weight (kg)
X000001813	SD Balance II 50, white/white	500x465x500	54,1x56,1x50,5	25,0
X000001814	SD Balance II 60, white/white	600x465x500	64,1x56,1x50,5	29,0
X000001815	SD Balance II 80, white/white	800x465x500	84,1x56,1x50,5	34,0
X000001822	Balance II handle 01, chrome	168x26x8	16,8x8x2,6	0,1
X000001823	Balance II handle 01, white	168x26x8	16,8x8x2,6	0,1
X000001824	Balance II handle 01, black	168x26x8	16,8x8x2,6	0,1
XJX01250000	Balance 50 washbasin, with hole for tap, without overflow, white	500x465x160	54x50x16	9,9
XJX01260000	Balance 60 washbasin, with hole for tap, without overflow, white	600x465x160	64x50x16	10,8
XJX01280000	Balance 80 washbasin, with hole for tap, without overflow, white	800x465x160	84x50x16	14,8
X01723	Washbasin waste trap with fixed outlet, chrome	Ø 70x155-243x245	25,2x18x10	0,6



Order No.	Type	Dimensions (mm)	Size of packaging (cm)	Gross weight (kg)
X000001370	Balance countertop 60, white	600x465x16	64,5x5,3x51	4,7
X000001371	Balance countertop 80, white	800x465x16	84,5x5,3x51	6,4
X000001372	Balance countertop 120, white	1200x465x16	124,5x5,3x51	9,2
X000001375	Balance/Comfort countertop 120 bracket	200x360x110	37,5x5x13,5	3,0
X000001817	Balance II towel holder, white	465x78	47x8,5x15	2,0



Order No.	Type	Dimensions (mm)	Size of packaging (cm)	Gross weight (kg)
<b>X000001816</b>	SB Balance II 40, white/white	400x175x1600	164,5x21,5x44,5	25,0
<b>X000001822</b>	Balance II handle 01, chrome	168x26x8	16,8x8x2,6	0,1
<b>X000001823</b>	Balance II handle 01, white	168x26x8	16,8x8x2,6	0,1
<b>X000001824</b>	Balance II handle 01, black	168x26x8	16,8x8x2,6	0,1



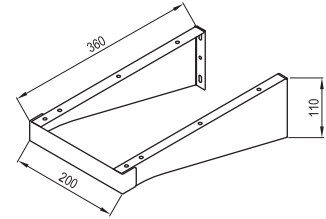
Order No.	Type	Dimensions (mm)	Size of packaging (cm)	Gross weight (kg)
<b>X000001822</b>	Balance II handle 01, chrome	168x26x8	16,8x8x2,6	0,1
<b>X000001823</b>	Balance II handle 01, white	168x26x8	16,8x8x2,6	0,1
<b>X000001824</b>	Balance II handle 01, black	168x26x8	16,8x8x2,6	0,1

**5**5-YEAR  
WARRANTYANTI-  
MOISTURE  
FINISH

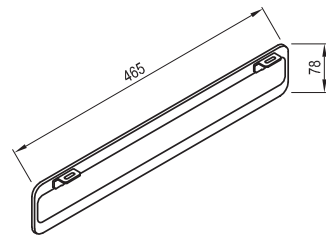
Finish

GLOSS  
WHITE

# Balance II



Order No.	Type	Dimensions (mm)	Size of packaging (cm)	Gross weight (kg)
<b>X000001375</b>	Balance/Comfort countertop 120 bracket	200x360x110	37,5x5x13,5	3,0



Order No.	Type	Dimensions (mm)	Size of packaging (cm)	Gross weight (kg)
<b>X000001817</b>	Balance II towel holder, white	465x78	47x8,5x15	2,0

# Classic II



Mirror cabinet with lighting



Part of Classic II: the broadest bathroom concept on the market

design nosal<sup>©</sup>

Original design from the studio of Czech designer K. Nosál

## Classic in the best sense of the word

Simple, classic design of cabinets with integrated handles and a wide range of sizes.

### Don't miss it

- 1.** The furniture is delivered assembled.  
Silent and slow closing of the drawers and doors.
- 2.** MC Classic II mirror cabinet with double-sided mirror on the door (inside and outside). Two glass shelves (4 mm thick) inside the cabinet.
- 3.** MC Classic II mirror cabinet includes LED lighting designed for connection to an external switch (230 V, 50 Hz) and is supplied with a transformer (24 V).
- 4.** Light colour: 6000-6500 K  
Luminous flux: 3600 lm  
Degree of protection: IP 44
- 5.** Power: 7,2/9,0/10,4 W

Washbasins

→ 438

Taps

→ 612

Extras

→ 672

Bathtubs

→ 336

Shower enclosures

→ 18



5-YEAR WARRANTY



ANTI-MOISTURE FINISH



CONCEPTS

Body finish



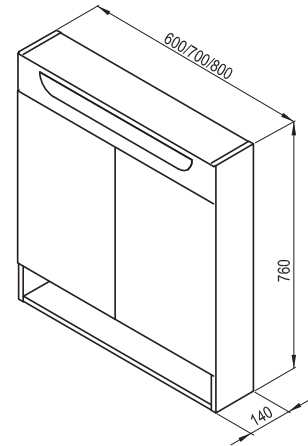
GLOSS WHITE

Door finish

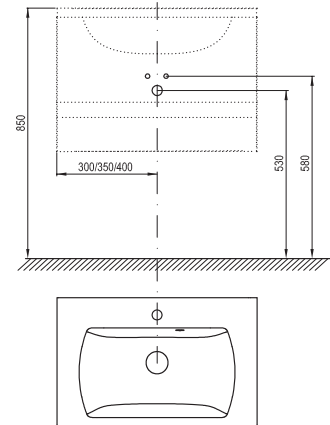
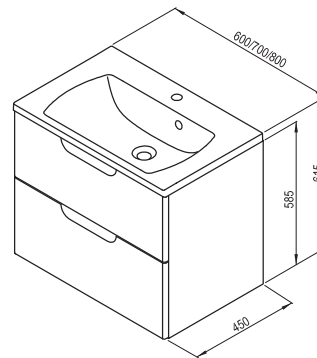


GLOSS WHITE / GREY

# Classic II

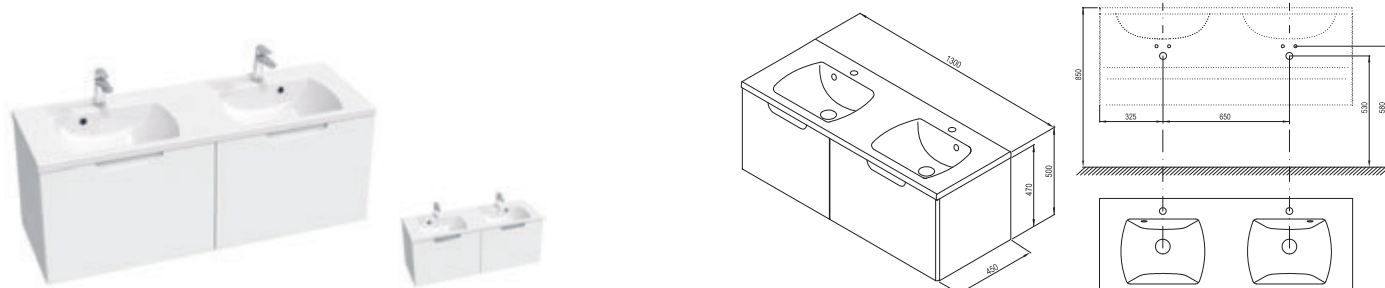


Order No.	Type	Dimensions (mm)	Size of packaging (cm)	Gross weight (kg)
X000001469	MC Classic II 60, white	600x140x760	64x18x11,6	13,6
X000001470	MC Classic II 70, white	700x140x760	74x18x80	15,9
X000001471	MC Classic II 80, white	800x140x760	84x18x80	21,5



Order No.	Type	Dimensions (mm)	Size of packaging (cm)	Gross weight (kg)
X000001476	SD Classic II 60, white/white	600x450x585	64x53x64	24,5
X000001477	SD Classic II 60, white/grey	600x450x585	64x53x64	22,5
X000001478	SD Classic II 70, white/white	700x450x585	74x53x64	27,0
X000001479	SD Classic II 700, white/grey	700x450x585	74x53x64	25,0
X000001480	SD Classic II 80, white/white	800x450x585	84x53x64	29,5
X000001481	SD Classic II 80, white/grey	800x450x585	84x53x64	29,5

Mirror installation requirements: Electrical supply with a minimum cable length of 50 cm connected to an external switch. The power supply must be protected by a 30 mA residual-current device (RCD). Products are delivered within 14 days as standard.



Order No.	Type	Dimensions (mm)	Size of packaging (cm)	Gross weight (kg)
<b>X000001482</b>	SD Classic II 130, white/white	1300x450x470	134x53x51	46,0
<b>X000001483</b>	SD Classic II 130, white/grey	1300x450x470	134x53x51	46,0



Order No.	Type	Dimensions (mm)	Size of packaging (cm)	Gross weight (kg)
<b>X000001472</b>	SB Classic II 40 L, white/white	400x260x1600	44x30x164	27,5
<b>X000001473</b>	SB Classic II 40 L, white/grey	400x260x1600	44x30x164	26,5
<b>X000001474</b>	SB Classic II 40 R, white/white	400x260x1600	44x30x164	27,5
<b>X000001475</b>	SB Classic II 40 R, white/grey	400x260x1600	44x30x164	27,5

**5**

5-YEAR WARRANTY



ANTI-MOISTURE FINISH



CONCEPTS

Body finish



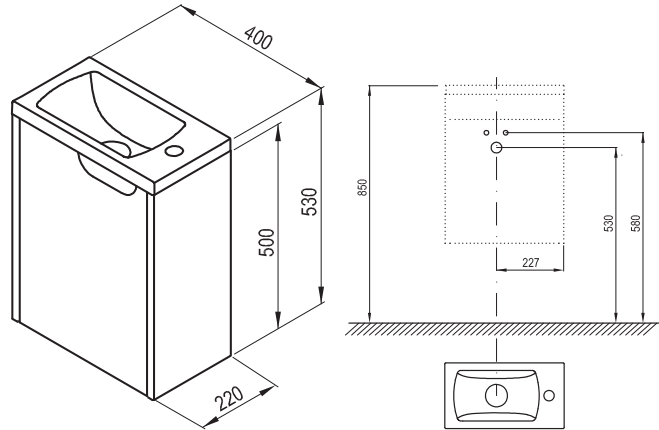
GLOSS WHITE

Door finish



GLOSS WHITE / GREY

# Classic II



Order No.	Type	Dimensions (mm)	Size of packaging (cm)	Gross weight (kg)
<b>X000001484</b>	SD Classic II 40 L, white/white	400x220x500	44x26x54	9,5
<b>X000001486</b>	SD Classic II 40 R, white/white	400x220x500	44x26x54	9,5



# Clear II



Thin handle for an elegant look



Mirror with integrated lighting



Bright and organized interior space

## Pure expression of luxury

Luxury is pure beauty. This is the philosophy of the designers of the Clear II bathroom cabinets with the characteristic 45° bevelled edges and a trendy horizontal line.

### Don't miss it

1. The furniture is delivered assembled. Soft and quiet closing of the drawer and door.
2. The drawer of the SD vanity unit includes an additional integrated low drawer with a separate pull-out. The SB cabinet is equipped with an internal drawer.
3. The mirror includes LED lighting designed for connection to an external switch (230 V, 50 Hz) and is supplied with a transformer (24 V).
4. Light colour: 6000-6700 K  
Luminous flux: 605/790 lm  
Degree of protection: IP 44  
Power: 7.3/9.5 W.

Washbasins → 442

Taps → 538

Accessories → 672

Bathtubs → 302

Shower enclosures → 18

**5**

5-YEAR WARRANTY



ANTI-MOISTURE FINISH

Body finish

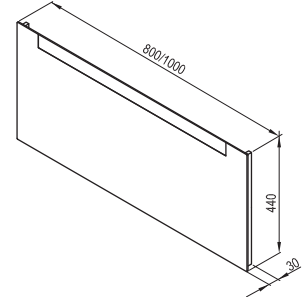


GLOSS WHITE

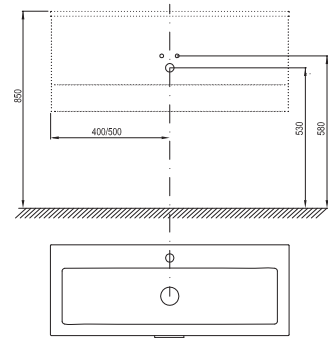
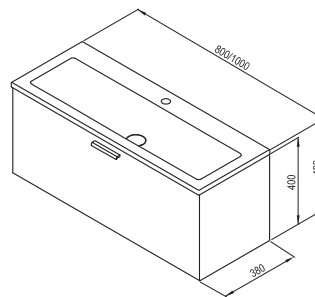
Door finish



GLOSS WHITE

**Clear II**

Order No.	Type	Dimensions (mm)	Size of packaging (cm)	Gross weight (kg)
<b>X000000765</b>	Clear mirror 80 with LED lighting	800x30x440	84x7x48	6,0
<b>X000000766</b>	Clear mirror 100 with LED lighting	1000x30x440	104x7x48	7,0



Order No.	Type	Dimensions (mm)	Size of packaging (cm)	Gross weight (kg)
<b>X000001642</b>	SD Clear II 80, white/white	800x380x400	84x42x44	29,0
<b>X000001643</b>	SD Clear II 100, white/white	1000x380x400	104x42x44	34,0



5

5-YEAR WARRANTY



ANTI-MOISTURE FINISH

Body finish



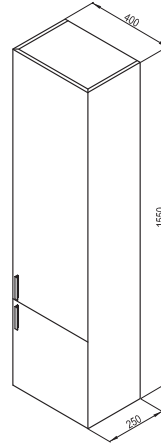
GLOSS WHITE

Door finish



GLOSS WHITE

# Clear II



Order No.	Type	Dimensions (mm)	Size of packaging (cm)	Gross weight (kg)
X000001644	SB Clear II 40 R, white/white	400x250x1550	44x39x159	33,0
X000001649	SB Clear II 40 L, white/white	400x250x1550	44x39x159	33,0



# Veda



Tip-on opening system, clean surface not disturbed by a handle



Depth of a mere 22 cm

## Storage space even in the toilet

Wall-hung vanity unit for the small washbasin of the same name.

### Don't miss it

- 1.** The furniture is delivered assembled.
- 2.** Includes tip-on door opening mechanism.
- 3.** The door is included and can be mounted for left-hand or right-hand opening.

Veda small washbasin → 448

Taps → 538

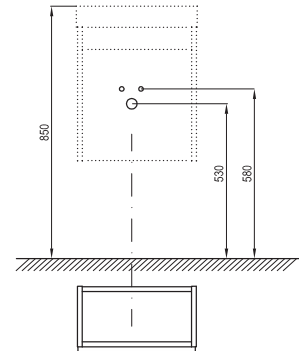
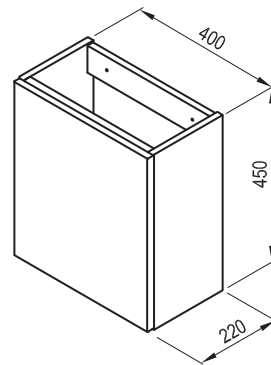
Extras → 672

Bathtubs → 302

Shower enclosures → 18

**5**5-YEAR  
WARRANTYANTI-  
MOISTURE  
FINISH

Finish

GLOSS  
WHITE**Veda**

Order No.	Type	Dimensions (mm)	Size of packaging (cm)	Gross weight (kg)
<b>X000001386</b>	SD Veda 40, white	400x220x450	43x24x53	11,7
<b>XJX01240000</b>	Veda Slim 40 small washbasin, with hole for tap, without overflow, white	400x220x95	42x24x11	4,6

# Toilets and bidets



**10** 10-YEAR WARRANTY

**CONCEPTS**  
A perfectly harmonious whole



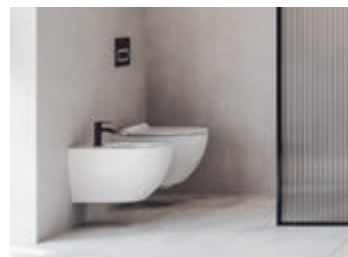
**Interconnected concepts**

Our toilets and bidets are part of coordinated concepts, meaning you can match them stylistically with the rest of your bathroom equipment



**Full set of accessories**

Complete functionality is provided by installation systems, flush buttons available in a choice of colours and designs, and easily removable seats with a soft-close system

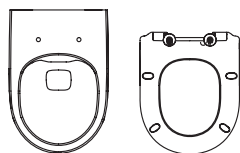


**Practicality**

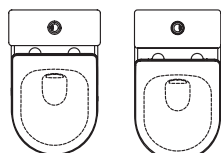
The wall-hung system allows for easy mopping underneath the product, while the concealed mounting simplifies maintenance. The removable seat ensures thorough cleaning of the entire toilet

**10-year warranty**

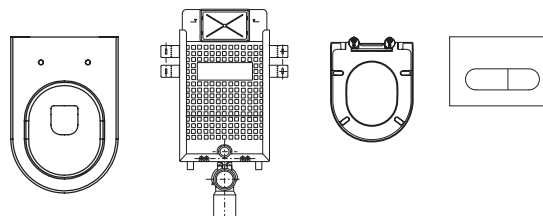
Thanks to modern technologies and multi-stage quality control, we can offer a 10-year warranty on all RAVAK toilets and bidets



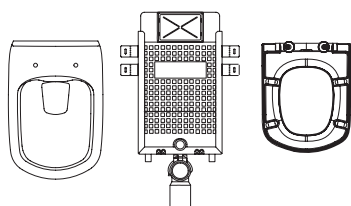
Vita toilet > 512



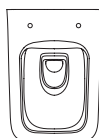
Monoblock toilets > 516



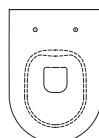
Uni Chrome toilets and accessories > 520



Classic toilets and accessories > 524



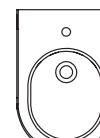
Natural toilet > 528



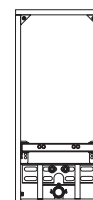
Flow toilet > 530



Endo toilet > 532



Uni Chrome bidet and accessories > 534



# Vita toilet



RimOff with rimless flushing technology



Concealed mounting for a clean look and simple maintenance



SoftClose mechanism

## Minimalist design for your bathroom and toilet room

The Vita RimOff toilet offers practical hygiene benefits. It also features a modern, elegant design that fits perfectly into any bathroom or toilet room.

### Don't miss it

- 1.** Concealed mounting using the holes for the seat.
- 2.** Easy removal of the seat in one movement.
- 3.** Seat available in slim black or white finish.
- 4.** The seat is not included in the package.
- 5.** Two designs of installation system – W for wet installation and G for dry installation.

Bidet → 534

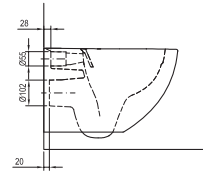
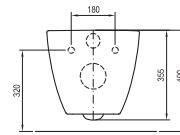
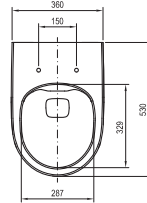
Taps → 538

Small washbasin → 448

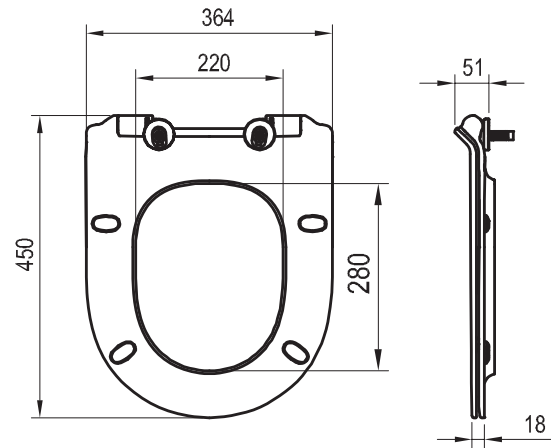
Accessories → 672

Detergents → 693

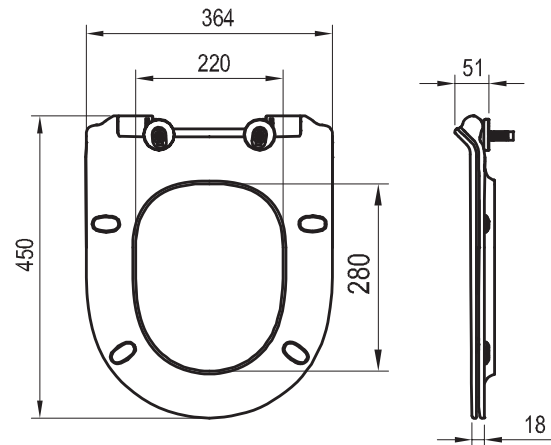
# Vita RimOff toilet



Order No.	Type	Dimensions (mm)	Size of packaging (cm)	Gross weight (kg)
<b>X01860</b>	Vita RimOff toilet, wall-hung, white	360x530x350	38x52x38	22,0

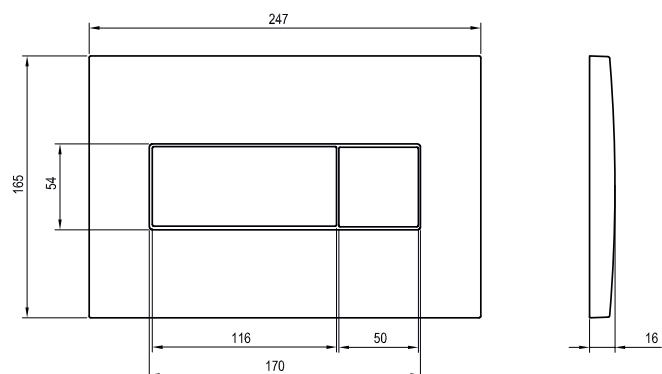


Order No.	Type	Dimensions (mm)	Size of packaging (cm)	Gross weight (kg)
<b>X01861</b>	Vita Slim toilet seat, white	364x450x51	47,5x38x8,5	2,3

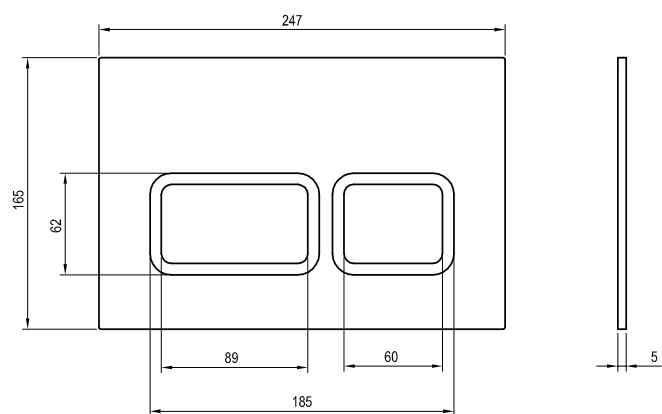


Order No.	Type	Dimensions (mm)	Size of packaging (cm)	Gross weight (kg)
<b>X01862</b>	Vita Slim toilet seat, black	364x450x51	47,5x38x8,5	2,3

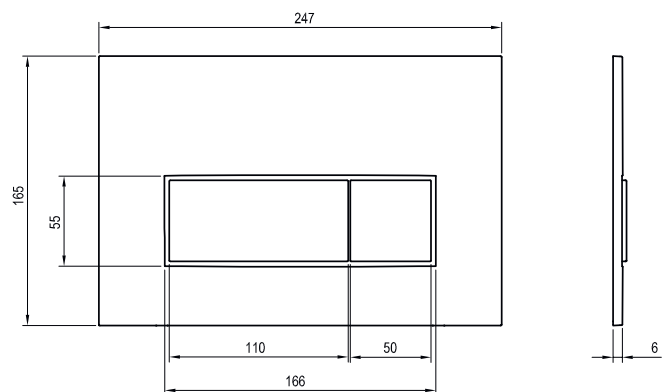
Products are delivered within 14 days as standard.  
 10-year warranty on toilet bowls; 3-year warranty on toilet seats; 3-year warranty on flush buttons; 10-year warranty on fixed parts of installation system; 3-year warranty on replaceable parts of installation system.



Order No.	Type	Dimensions (mm)	Size of packaging (cm)	Gross weight (kg)
<b>X01457</b>	Uni toilet flush button, white	247x165x16	25x17x4	0,4
<b>X01456</b>	Uni toilet flush button, satin	247x165x16	25x17x4	0,4



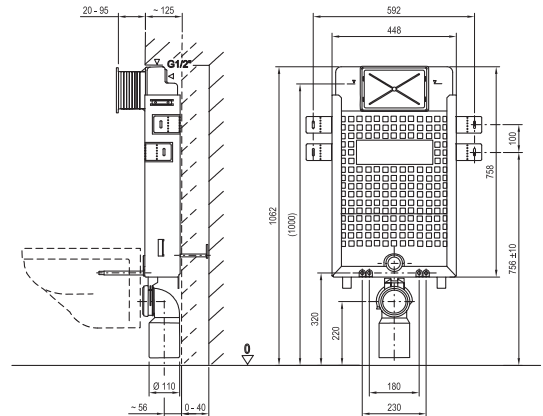
Order No.	Type	Dimensions (mm)	Size of packaging (cm)	Gross weight (kg)
<b>X01739</b>	Twin toilet flush button, satin	247x165x5	25x17x4	1,4



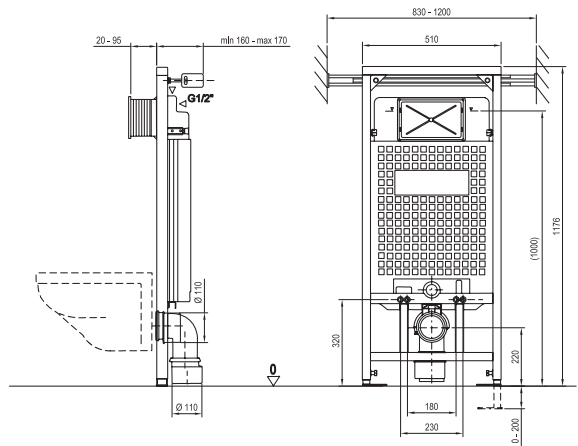
Order No.	Type	Dimensions (mm)	Size of packaging (cm)	Gross weight (kg)
<b>X01744</b>	Uni Slim toilet flush button, black	247x165x6	25x17x4	0,4

Products are delivered within 14 days as standard.  
 10-year warranty on toilet bowls; 3-year warranty on toilet seats; 3-year warranty on flush buttons; 10-year warranty on fixed parts of installation system; 3-year warranty on replaceable parts of installation system.

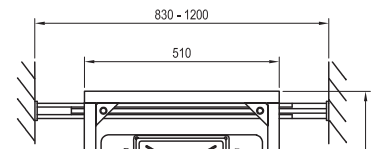
# Vita RimOff toilet



Order No.	Type	Dimensions (mm)	Size of packaging (cm)	Gross weight (kg)
<b>X01702</b>	Toilet installation system W II/1000 for solid wall	448x1062x145-220	47,5x14x104,5	10,0



Order No.	Type	Dimensions (mm)	Size of packaging (cm)	Gross weight (kg)
<b>X01703</b>	Toilet installation system G II/1120 for plasterboard	510x1176x180-265	52x14,5x113	13,9



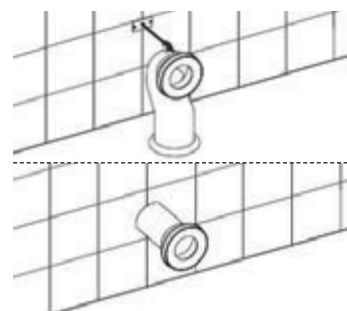
Order No.	Type	Dimensions (mm)	Size of packaging (cm)	Gross weight (kg)
<b>X01460</b>	Support for system G	830-1200x50x50	80x7x7	3,1

Products are delivered within 14 days as standard.  
 10-year warranty on toilet bowls; 3-year warranty on toilet seats; 3-year warranty on flush buttons; 10-year warranty on fixed parts of installation system; 3-year warranty on replaceable parts of installation system.

# Optima toilet



RimOff with rimless flushing technology



Vario waste allowing horizontal or vertical connection



SoftClose mechanism

## Modern toilet with a traditional design

The Optima monoblock toilet combines the benefits of modern toilets with a traditional, practical design, ideal for smaller spaces without the need for structural alterations.

### Don't miss it

- 1.** The package includes toilet, cistern, flush button, seat, and filling and draining system.
- 2.** The tank and lid are securely fixed by a screw connection on the drain valve with a button.
- 3.** Slim seat with SoftClose mechanism.
- 4.** Easy removal of the seat in one movement.
- 5.** Possibility of hidden water connection and hidden anchoring of the toilet to the floor.

Bidet → 534

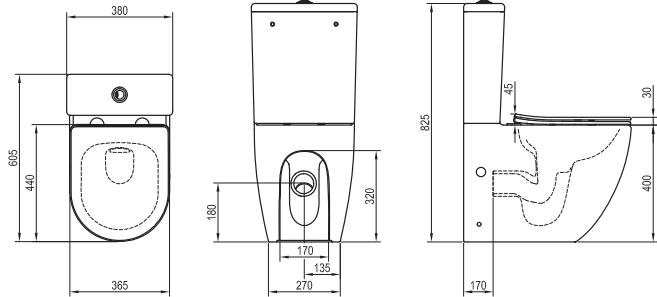
Taps → 538

Small washbasin → 448

Accessories → 672

Detergents → 693

# Optima RimOff monoblock toilet

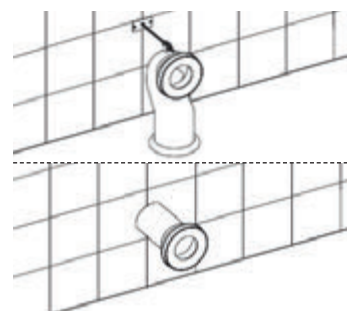


Order No.	Type	Dimensions (mm)	Size of packaging (cm)	Gross weight (kg)
<b>X01870</b>	Optima RimOff monoblock toilet set, white	605x385x825	74x43x43	59,7

# Elegant toilet



RimOff with rimless flushing technology



Vario waste allowing horizontal or vertical connection



SoftClose mechanism

## Modern function and look in a traditional design

The Elegant monoblock toilet combines the benefits of modern toilets with a traditional, practical design, ideal for smaller spaces without the need for structural alterations.

### Don't miss it

- 1.** The package includes toilet, cistern, flush button, seat, and filling and draining system.
- 2.** The tank and lid are securely fixed by a screw connection on the drain valve with a button.
- 3.** Easy removal of the seat in one movement.
- 4.** Slim seat with SoftClose mechanism.
- 5.** Possibility of hidden water connection and hidden anchoring of the toilet to the floor.

Bidet → 534

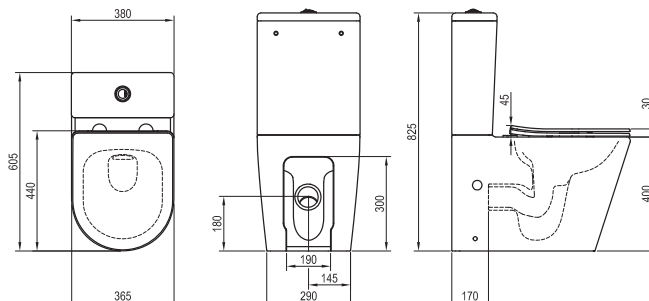
Taps → 538

Small washbasin → 448

Accessories → 672

Detergents → 693

# Elegant RimOff monoblock toilet



Order No.	Type	Dimensions (mm)	Size of packaging (cm)	Gross weight (kg)
<b>X01872</b>	Elegant RimOff monoblock toilet set, white	605x385x825	74x43x43	55,6

# Uni Chrome toilet



RimOff with rimless flushing technology



Invisible mounting for simpler maintenance



SoftClose mechanism

## Uniquely clean shape

Its design adds elegance to any interior.

### Don't miss it

- 1.** Concealed mounting using the holes for the seat.
- 2.** Easy removal of the seat in one movement.
- 3.** Seat available in slim and standard designs.
- 4.** Two designs of installation system – W for wet installation and G for dry installation.
- 5.** Support for the G module, designed for quick installation into a bathroom recess or a bathroom unit.

Bidet → 534

Taps → 538

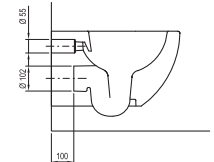
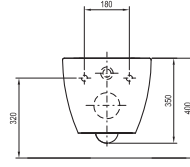
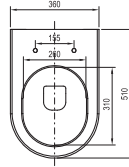
Small washbasin → 429

Extras → 680

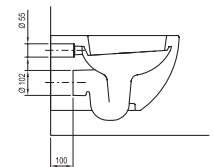
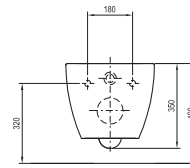
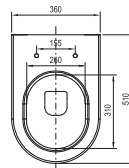
Detergents → 693



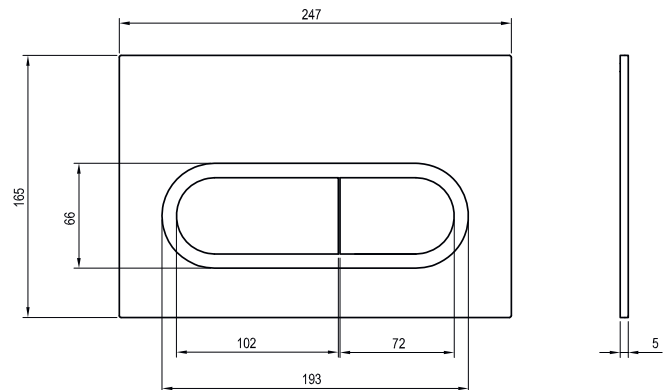
# Uni Chrome toilet



Order No.	Type	Dimensions (mm)	Size of packaging (cm)	Gross weight (kg)
<b>X01535</b>	Uni Chrome RimOff toilet, wall-hung, white	360x510x350	40x40x53	26,0
<b>X01794</b>	Uni Chrome RimOff toilet, wall-hung, black	360x510x350	40x40x53	26,0

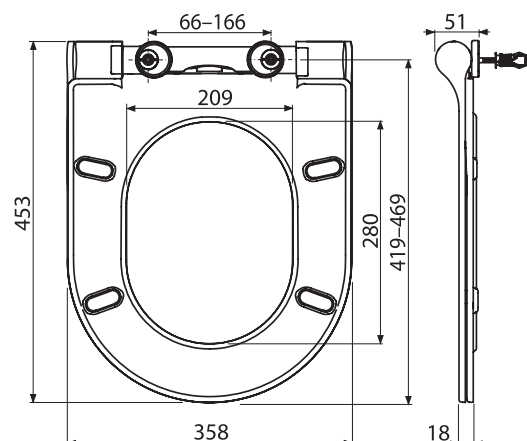


Order No.	Type	Dimensions (mm)	Size of packaging (cm)	Gross weight (kg)
<b>X01516</b>	Uni Chrome Rim toilet, wall-hung, white	360x510x350	40x40x53	25,0

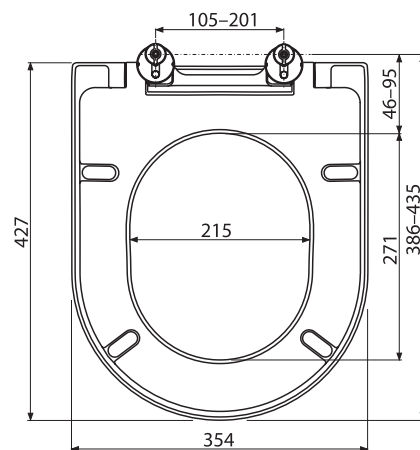


Order No.	Type	Dimensions (mm)	Size of packaging (cm)	Gross weight (kg)
<b>X01455</b>	Chrome toilet flush button, white	247x165x5	25x17x4	1,4
<b>X01454</b>	Chrome toilet flush button, satin	247x165x5	25x17x4	1,0
<b>X01797</b>	Chrome toilet flush button, black	247x165x5	25x17x4	1,4

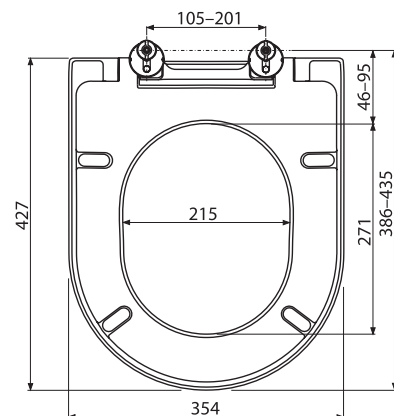
Products are delivered within 14 days as standard.  
 10-year warranty on toilet bowls; 3-year warranty on toilet seats; 3-year warranty on flush buttons; 10-year warranty on fixed parts of installation system; 3-year warranty on replaceable parts of installation system.



Order No.	Type	Dimensions (mm)	Size of packaging (cm)	Gross weight (kg)
<b>X01550</b>	Uni Chrome Slim toilet seat, white	358x453x51	47,5x38x8,5	3,0



Order No.	Type	Dimensions (mm)	Size of packaging (cm)	Gross weight (kg)
<b>X01549</b>	Uni Chrome toilet seat, white	354x427x50	43,5x35,5x5,3	2,4

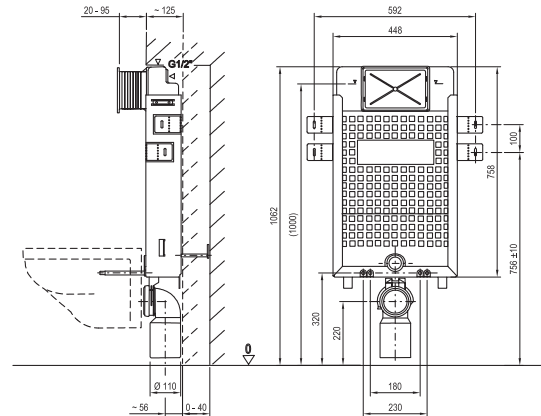


Order No.	Type	Dimensions (mm)	Size of packaging (cm)	Gross weight (kg)
<b>X01795</b>	Uni Chrome Flat toilet seat, black	360x455x61,5	47,5x38x8	2,8

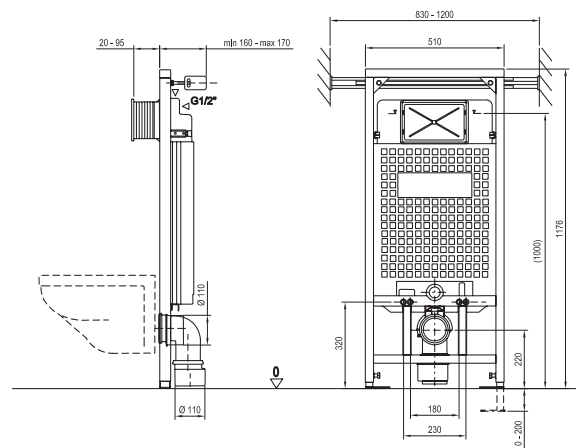
Products are delivered within 14 days as standard.  
 10-year warranty on toilet bowls; 3-year warranty on toilet seats; 3-year warranty on flush buttons; 10-year warranty on fixed parts of installation system; 3-year warranty on replaceable parts of installation system.



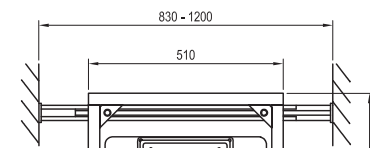
# Uni Chrome toilet



Order No.	Type	Dimensions (mm)	Size of packaging (cm)	Gross weight (kg)
<b>X01702</b>	Toilet installation system W II/1000 for solid wall	448x1062x145-220	47,5x14x104,5	10,0



Order No.	Type	Dimensions (mm)	Size of packaging (cm)	Gross weight (kg)
<b>X01703</b>	Toilet installation system G II/1120 for plasterboard	510x1176x180-265	52x14,5x113	13,9



Order No.	Type	Dimensions (mm)	Size of packaging (cm)	Gross weight (kg)
<b>X01460</b>	Support for system G	830-1200x50x50	80x7x7	3,1

Products are delivered within 14 days as standard.  
 10-year warranty on toilet bowls; 3-year warranty on toilet seats; 3-year warranty on flush buttons; 10-year warranty on fixed parts of installation system; 3-year warranty on replaceable parts of installation system.

# Classic toilet



RimOff with rimless flushing technology



Concealed mounting for simpler maintenance



SoftClose mechanism

## Toilet design perfectly aligned with the Classic II concept

The shape of the toilet follows the design language of the Classic II concept, creating a harmonious whole.

### Don't miss it

1. Concealed mounting using the holes for the seat.
2. Easy removal of the seat in one movement.
3. Seat available in slim and standard designs.
4. Two designs of installation system – W for wet installation and G for dry installation.
5. Support for the G installation system, designed for quick installation into a bathroom recess or a bathroom unit.

Small washbasin → 441

Taps → 612

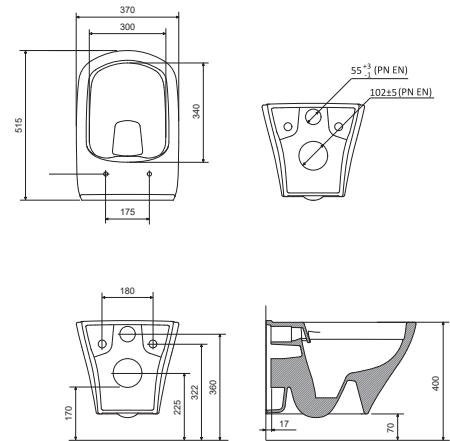
Furniture → 500

Bathtubs → 336

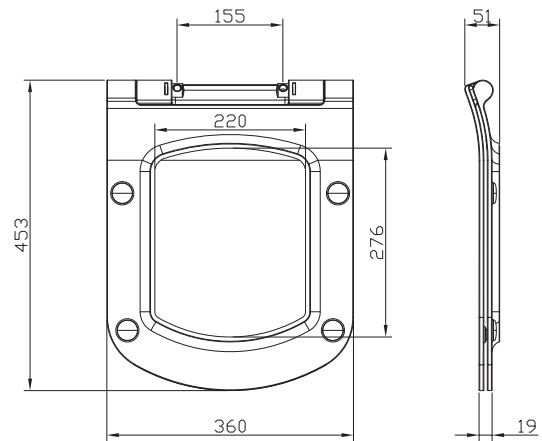
Detergents → 693



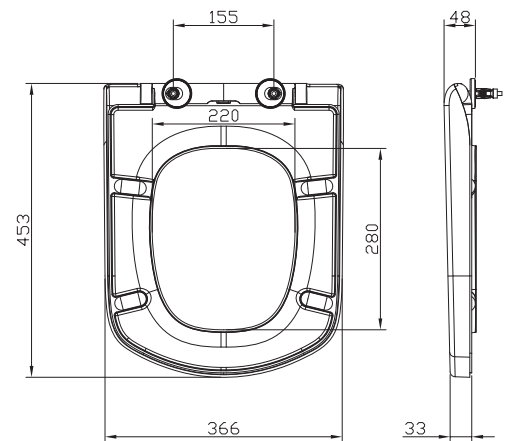
# Classic toilet



Order No.	Type	Dimensions (mm)	Size of packaging (cm)	Gross weight (kg)
<b>X01671</b>	Classic RimOff toilet, wall-hung, white	370x515x350	38x38x53	22,1

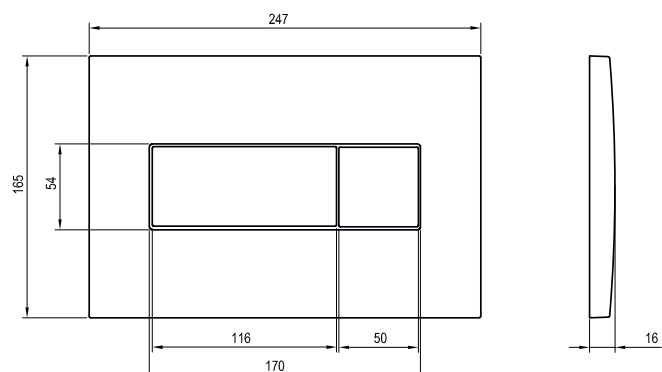


Order No.	Type	Dimensions (mm)	Size of packaging (cm)	Gross weight (kg)
<b>X01673</b>	Classic Slim toilet seat, white	360x453x51	43x38x6	3,2

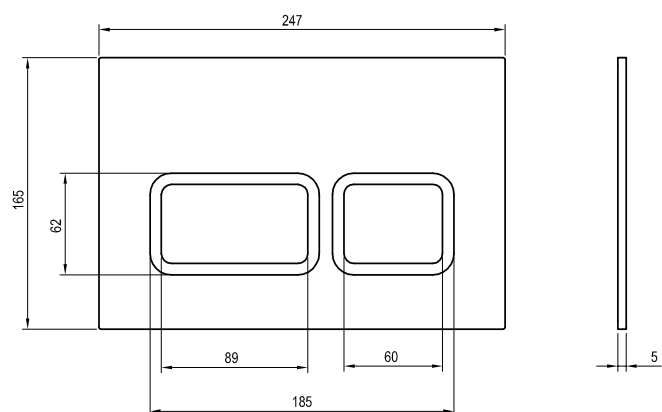


Order No.	Type	Dimensions (mm)	Size of packaging (cm)	Gross weight (kg)
<b>X01672</b>	Classic toilet seat, white	366x453x48	43x38x6	2,7

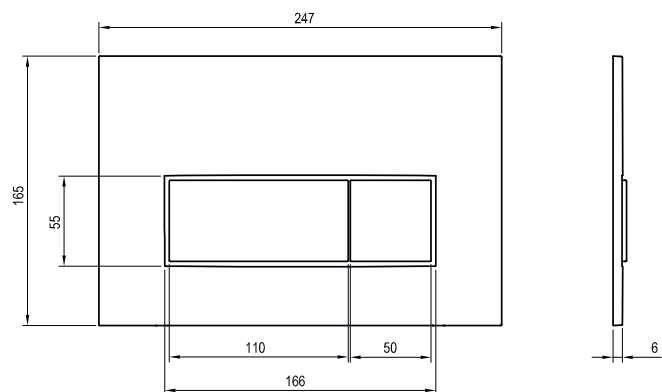
Products are delivered within 14 days as standard.  
 10-year warranty on toilet bowls; 3-year warranty on toilet seats; 3-year warranty on flush buttons; 10-year warranty on fixed parts of installation system; 3-year warranty on replaceable parts of installation system.



Order No.	Type	Dimensions (mm)	Size of packaging (cm)	Gross weight (kg)
<b>X01457</b>	Uni toilet flush button, white	247x165x16	25x17x4	0,4
<b>X01456</b>	Uni toilet flush button, satin	247x165x16	25x17x4	0,4



Order No.	Type	Dimensions (mm)	Size of packaging (cm)	Gross weight (kg)
<b>X01739</b>	Twin toilet flush button, satin	247x165x5	25x17x4	1,4

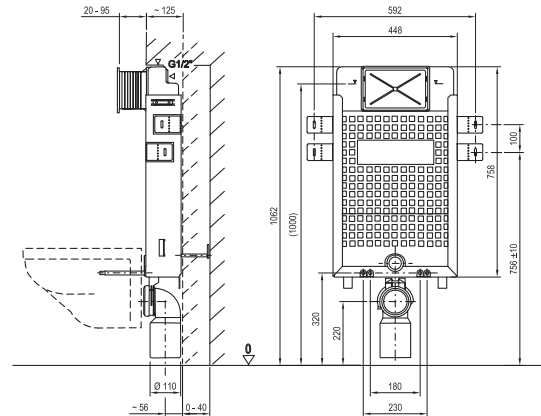


Order No.	Type	Dimensions (mm)	Size of packaging (cm)	Gross weight (kg)
<b>X01744</b>	Uni Slim toilet flush button, black	247x165x6	25x17x4	0,4

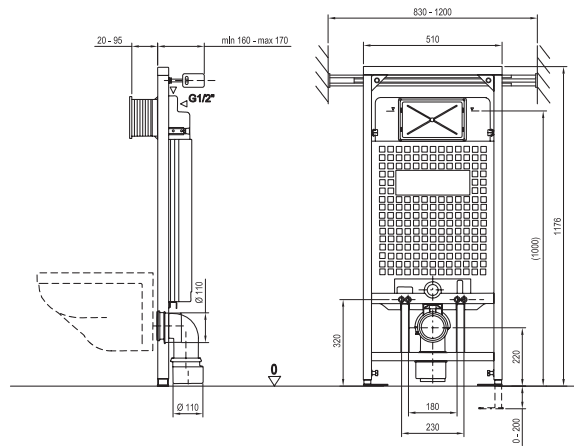
Products are delivered within 14 days as standard.  
 10-year warranty on toilet bowls; 3-year warranty on toilet seats; 3-year warranty on flush buttons; 10-year warranty on fixed parts of installation system; 3-year warranty on replaceable parts of installation system.



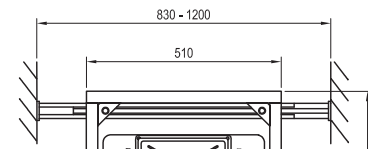
# Classic toilet



Order No.	Type	Dimensions (mm)	Size of packaging (cm)	Gross weight (kg)
<b>X01702</b>	Toilet installation system W II/1000 for solid wall	448x1062x145-220	47,5x14x104,5	10,0



Order No.	Type	Dimensions (mm)	Size of packaging (cm)	Gross weight (kg)
<b>X01703</b>	Toilet installation system G II/1120 for plasterboard	510x1176x180-265	52x14,5x113	13,9



Order No.	Type	Dimensions (mm)	Size of packaging (cm)	Gross weight (kg)
<b>X01460</b>	Support for system G	830-1200x50x50	80x7x7	3,1

Products are delivered within 14 days as standard.  
 10-year warranty on toilet bowls; 3-year warranty on toilet seats; 3-year warranty on flush buttons; 10-year warranty on fixed parts of installation system; 3-year warranty on replaceable parts of installation system.

# Natural toilet



Easy removal of the seat in one movement



Easy cleaning thanks to RimOff technology



Slow closing with SoftClose mechanism

## Natural wall-mounted toilet and soft-close seat

Practical toilet bowl and seat set with an invisible mounting system, preserving a clean shape without visible installation details.

### Don't miss it

- 1.** The toilet seat is included in the package.
- 2.** Easy removal of the seat in one movement.
- 3.** Slim seat with SoftClose mechanism.
- 4.** Concealed mounting using seat holes.

Bidet → 534

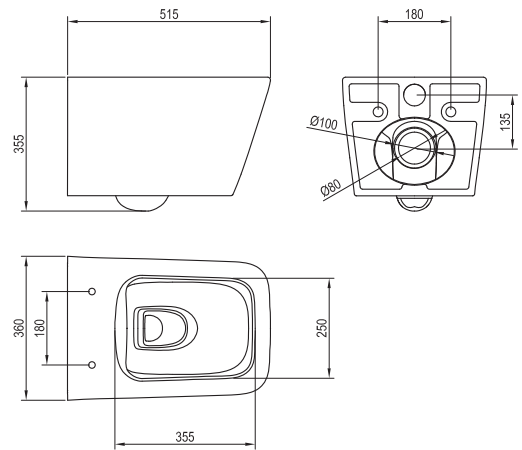
Washbasin → 448

Taps → 538

Accessories → 672

Cleaning products → 693

# Natural toilet



Order No.	Type	Dimensions (mm)	Size of packaging (cm)	Gross weight (kg)
<b>X01984</b>	Natural RimOff toilet set, wall-hung, white	360x515x355	44x52x43	22,0

# Flow toilet



Easy removal of the seat in one movement



Easy cleaning thanks to RimOff technology



Slow closing with SoftClose mechanism

## Flow wall-mounted toilet and soft-close seat

Practical toilet bowl and seat set with an invisible mounting system, preserving a clean shape without visible installation details.

### Don't miss it

- 1.** The toilet seat is included in the package.
- 2.** Easy removal of the seat in one movement.
- 3.** Slim seat with SoftClose mechanism.
- 4.** Concealed mounting using seat holes.

Bidet → 534

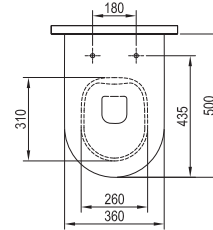
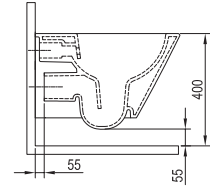
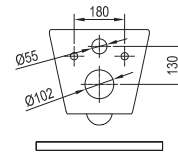
Washbasin → 448

Taps → 538

Accessories → 672

Cleaning products → 693

# Flow toilet



Order No.	Type	Dimensions (mm)	Size of packaging (cm)	Gross weight (kg)
<b>X01985</b>	Flow RimOff toilet set, wall-hung, white	360x500x355	44x52x43	31,0

# Endo toilet



Easy removal of the seat in one movement



Easy cleaning thanks to RimOff technology



Slow closing with SoftClose mechanism

## Simple, elegant toilet with easy installation

Wall-hung toilet with easily accessible mounting pockets for convenient installation and maintenance. Available in white.

### Don't miss it

- 1.** The Endo toilet seat is not included in the package.
- 2.** Simple removal of the seat allows for easy cleaning of hard-to-reach places.
- 3.** An Endo seat with a SoftClose mechanism can be purchased.
- 4.** Easily accessible mounting pockets for simple installation and maintenance.

Bidet

→ 534

Washbasin

→ 448

Taps

→ 538

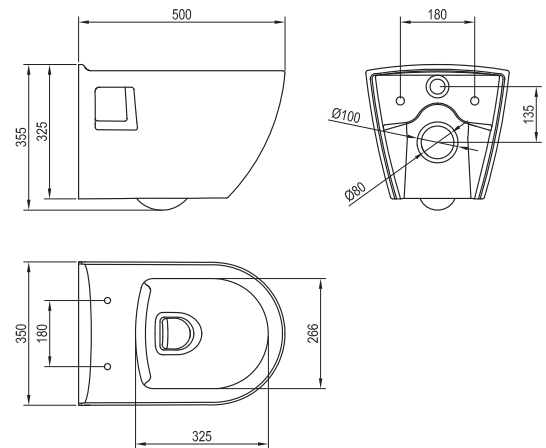
Accessories

→ 672

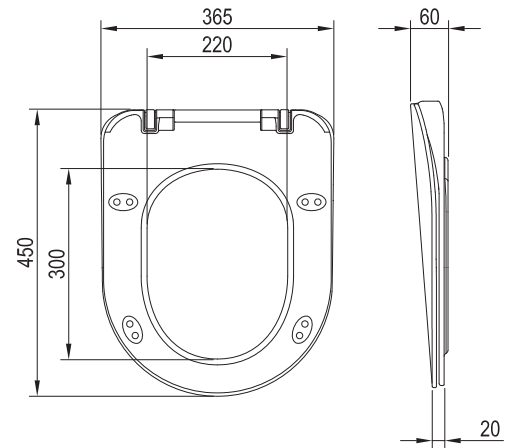
Cleaning products

→ 693

# Endo toilet



Order No.	Type	Dimensions (mm)	Size of packaging (cm)	Gross weight (kg)
<b>X01933</b>	Endo RimOff toilet, wall-hung, white		40x40x53	24,0



Order No.	Type	Dimensions (mm)	Size of packaging (cm)	Gross weight (kg)
<b>X01722</b>	Endo toilet seat, white		47,5x38x8,5	2,3

# Uni Chrome bidet



Invisible mounting for simpler maintenance



Simple installation onto a bidet installation system



Part of the Chrome concept

## Uniquely clean shape

Its design adds elegance to any interior.

### Don't miss it

1. For combination with X01560 bidet waste.
2. For combination with Chrome CR 055.00 bidet tap.
3. Bidet installation system for simple installation.

Taps

→ 538

Toilets

→ 520

small washbasin

→ 429

Extras

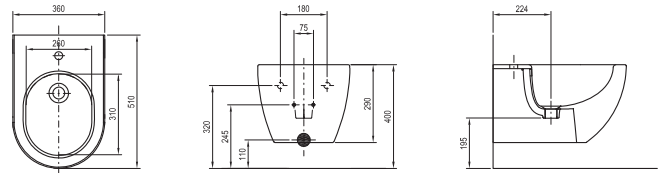
→ 680

Detergents

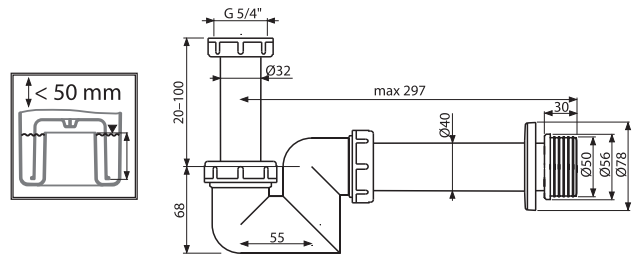
→ 693



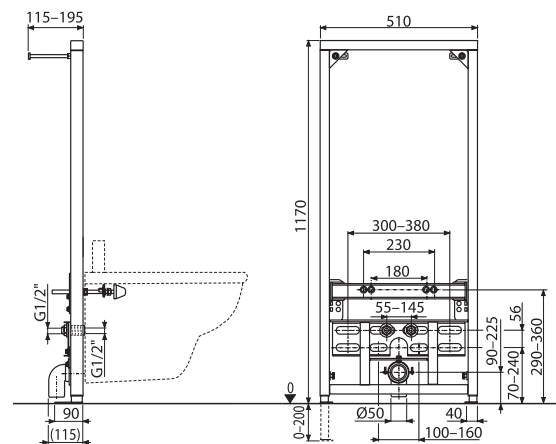
# Uni Chrome bidet



Order No.	Type	Dimensions (mm)	Size of packaging (cm)	Gross weight (kg)
<b>X01517</b>	Uni Chrome bidet, wall-hung, white	360x510x290	40x40x53	21,0
<b>X070453</b>	CR II 056.00CR Bidet tap 135 mm, without pop-up waste	280x180x80	28,5x18x8	1,3



Order No.	Type	Dimensions (mm)	Size of packaging (cm)	Gross weight (kg)
<b>X01560</b>	Bidet waste trap DN 40, white	50x88-168x297	22x17x8	0,2



Order No.	Type	Dimensions (mm)	Size of packaging (cm)	Gross weight (kg)
<b>X01704</b>	Installation system for bidet II/112	510x1170x115-195	52x9x119	12,3

Products are delivered within 14 days as standard.  
10-year warranty on bidets; 10-year warranty on bidet installation system; 3 year warranty on replaceable parts of the installation system.

# Safe toilet



Cutout shape of the washbasin for better access and independence



Easy to operate even without using your palms



Easier access, greater comfort for everyone

## Barrier-free solution – comfort and safety for everyone

A range for people with limited mobility and those with disabilities – functional, safe, and aesthetically clean products designed for comfort in every detail.

### Don't miss it

1. A toilet with a special cutout at the front makes hygiene easier for people with limited mobility or problems bending.
2. Toilet and seat set with SoftClose mechanism.
3. The washbasin cutout allows people in wheelchairs or with walkers to access the washbasin comfortably without having to bend over.
4. Tap with an extended medical lever, specially designed for disabled people, seniors, and those with limited mobility.
5. Easy installation of the toilet using easily accessible holes for mounting screws.

Washbasin accessories → 452

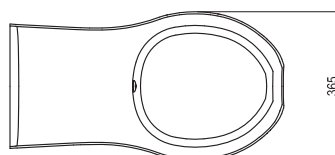
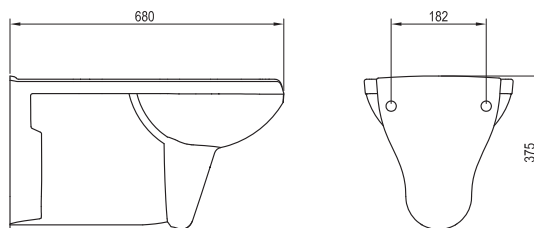
Toilet accessories → 523

Seats → 258

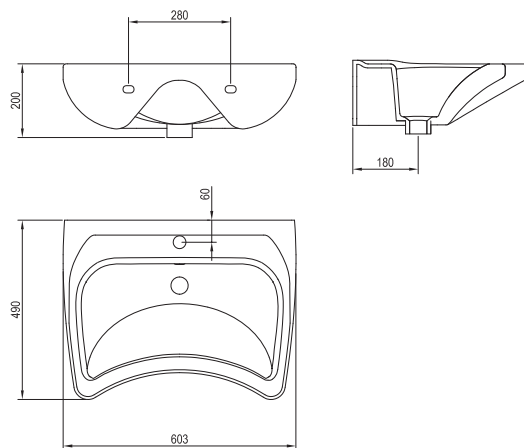
Accessories → 672

Cleaning products → 693

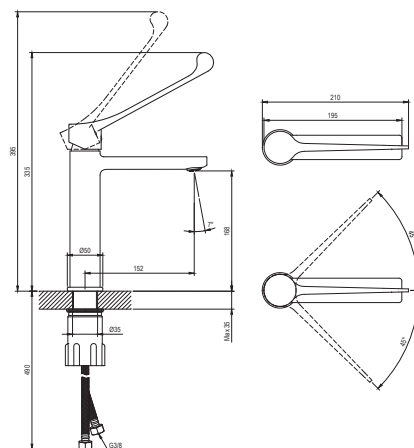
# Safe toilet



Order No.	Type	Dimensions (mm)	Size of packaging (cm)	Gross weight (kg)
<b>X01930</b>	Safe toilet set, wall-hung, white	680x365x375	70x42x45	273



Order No.	Type	Dimensions (mm)	Size of packaging (cm)	Gross weight (kg)
<b>XJX01160006</b>	Safe 60 washbasin, with hole for tap, with overflow, white	603x490x200	62x51x22	19,0



Order No.	Type	Size of packaging (cm)	Gross weight (kg)
<b>X070620</b>	SF 014.00CR Washbasin tap 230 mm, without pop-up waste	35x21x6	1,7

Products are delivered within 14 days as standard.  
 10-year warranty on toilet bowls; 3-year warranty on toilet seats; 3-year warranty on flush buttons; 10-year warranty on fixed parts of installation system; 3-year warranty on replaceable parts of installation system.

# Taps



**5** 5-YEAR WARRANTY

**CONCEPTS**  
A perfectly harmonious whole

**EASYFIX**  
Simple and quick tap installation. Tighten the nut easily by hand



**Award-winning design**

Prestigious international design awards show that our mission to deliver products that are both beautiful and highly functional is a success.

**Interconnected concepts**

The Chrome and Classic ranges are coordinated with their respective concepts, making selection easier.

**Tailor-made care**

For the care of chrome taps, we have developed the specially formulated RAVAK Cleaner Chrome. It gently and effectively removes grease and residues without damaging the tap's surface.

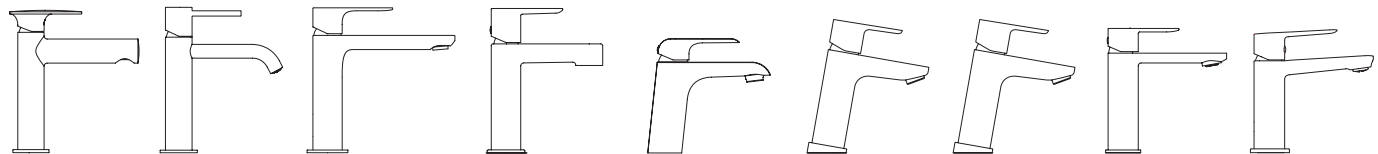


**5-year warranty**

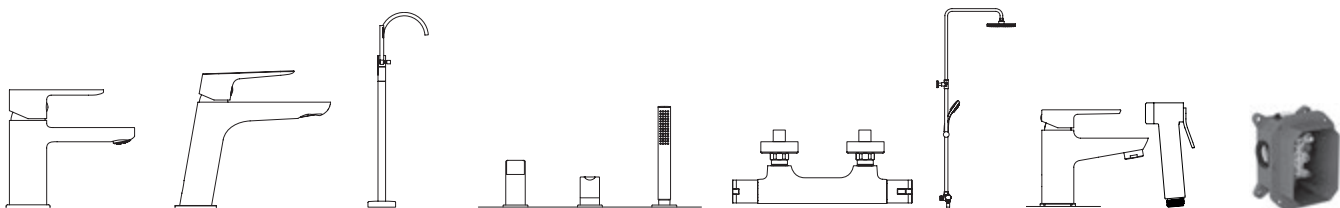
Our taps are made from the highest-quality materials and components, primarily of European origin, and undergo multi-stage quality control during production. That's why all taps come with an extended 5-year warranty.

**Simpler installation**

Washbasin taps come with pre-fitted hoses or the simple EasyFix installation system, while concealed tap bodies feature integrated spirit levels. Every package also includes an installation manual.



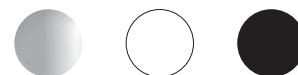
Spring > 540    Espirit > 546    Eleganta > 558    Puri > 568    Flat > 574    10° > 582    10° Free > 588    Chrome II > 596    Life > 604



Solar > 608    Classic > 612    Floor-mounted bathtub taps > 618    Deck-mounted bathtub taps > 622    Thermo + dual shower systems > 626    Taps with bidet shower > 636    R-Box > 640

Taps

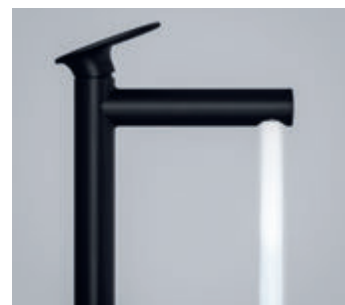
# Spring



Available in chrome, matt white and matt black



The lever fits perfectly in the hand and offers a natural and comfortable grip



EcoFlow function for water saving

## Function and aesthetics in perfect proportions

Spring taps combine practicality with aesthetics. The artistically designed lever with a gentle curve gives the tap a distinctive style and a pleasant feeling when using it.

### Don't miss it

- 1.** Haptic comfort thanks to the precise radius around the entire circumference of the lever. The lever fits perfectly in the hand and offers a natural, comfortable grip without sharp edges.
- 2.** Inside the washbasin taps is an ingenious aerator with the EcoFlow function, which limits the flow to 4.5 litres per minute and enriches it with air.
- 3.** All Spring washbasin taps have a flexible aerator.
- 4.** The ergonomic lever is equipped with the SoftMove function, which ensures smooth operation of every Spring tap.
- 5.** We stand behind the quality of our products. That's why you get an extended five-year warranty on your tap.

Shower accessories → 650

Waste traps / waste plugs → 452

Lite washbasins → 400

Furniture Lite → 464

Cleaning products → 693



5-YEAR WARRANTY ON TAPS



SOFT MOVE



RAVAK CLEANER CHROME

# Spring



FLEXIFLOW



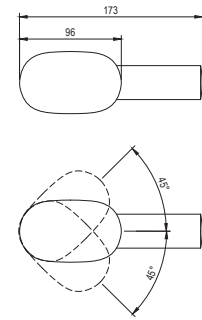
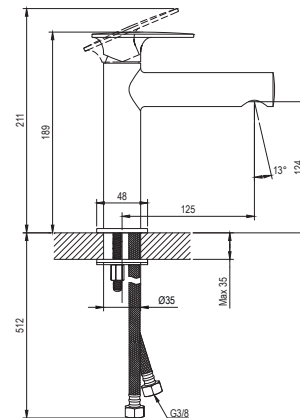
EASYCLEAN



ECOFLOW



I.ACOUSTIC CLASS ≤ 20 dB



Order No.	Type	Design	Flow rate	Size of packaging (cm)	Gross weight (kg)
<b>X070523</b>	SG 012.00CR Washbasin tap 190 mm, without pop-up waste	chrome	4.5	30x22x7	1,7
<b>X070542</b>	SG 012.20BLM Washbasin tap 190 mm, without pop-up waste	matt black	4.5	30x22x7	1,7
<b>X070565</b>	SG 012.10WHM Washbasin tap 190 mm, without pop-up waste	matt white	4.5	30x22x7	1,7



FLEXIFLOW



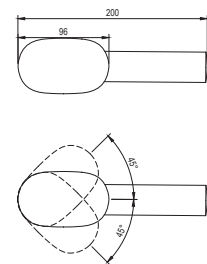
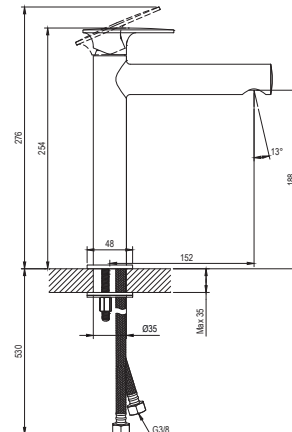
EASYCLEAN



ECOFLOW

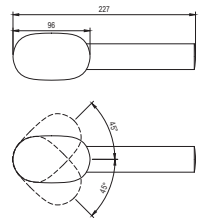
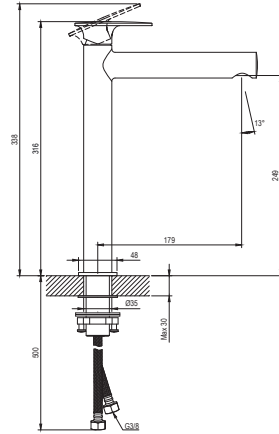


I.ACOUSTIC CLASS ≤ 20 dB

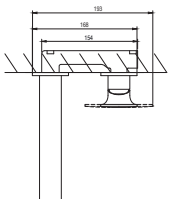
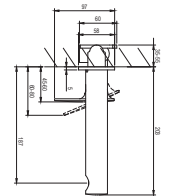


Order No.	Type	Design	Flow rate	Size of packaging (cm)	Gross weight (kg)
<b>X070524</b>	SG 014.00CR Washbasin tap 255 mm, without pop-up waste	chrome	4.5	37x22x7,5	1,9
<b>X070543</b>	SG 014.20BLM Washbasin tap 255 mm, without pop-up waste	matt black	4.5	37x22x7,5	1,9
<b>X070566</b>	SG 014.10WHM Washbasin tap 255 mm, without pop-up waste	matt white	4.5	37x22x7,5	1,9

# ravak® Water taps



Order No.	Type	Design	Flow rate	Size of packaging (cm)	Gross weight (kg)
<b>X070525</b>	SG 015.00CR Washbasin tap 315 mm, without pop-up waste	chrome	4.5	42x26,5x7,5	2,2
<b>X070544</b>	SG 015.20BLM Washbasin tap 315 mm, without pop-up waste	matt black	4.5	42x26,5x7,5	2,2
<b>X070567</b>	SG 015.10WHM Washbasin tap 315 mm, without pop-up waste	matt white	4.5	42x26,5x7,5	2,2



Order No.	Type	Design	Flow rate	Size of packaging (cm)	Gross weight (kg)
<b>X070527</b>	SG 019.00CR.O1 Concealed washbasin tap with basic unit	chrome	4.5	28x18x7,5	2,3
<b>X070546</b>	SG 019.20BLM.O1 Concealed washbasin tap with basic unit	matt black	4.5	28x18x7,5	2,3
<b>X070568</b>	SG 019.10WHM.O1 Concealed washbasin tap with basic unit	matt white	4.5	28x18x7,5	2,3



5-YEAR WARRANTY ON TAPS

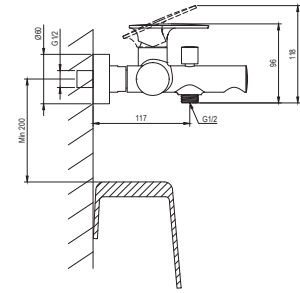
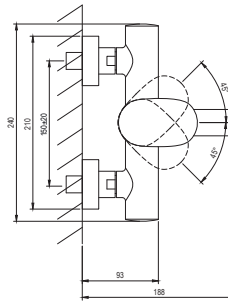


SOFT MOVE



RAVAK CLEANER CHROME

# Spring



EASYCLEAN

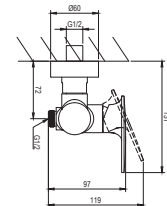
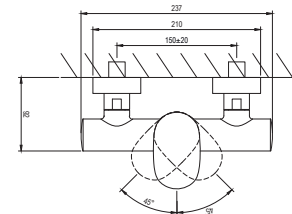


DIVERTER LOCKING

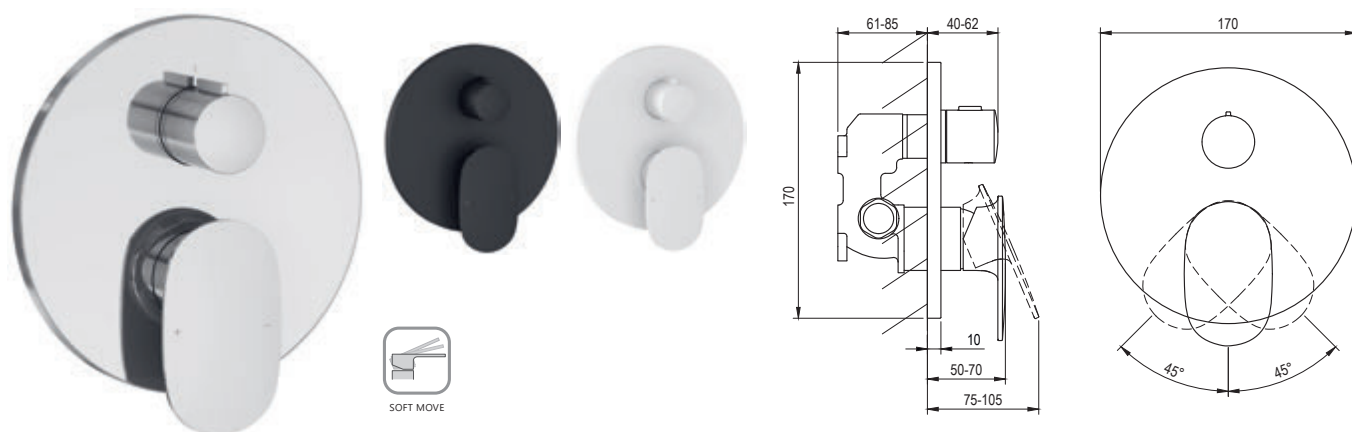
Order No.	Type	Design	Flow rate	Size of packaging (cm)	Gross weight (kg)
<b>X070528</b>	SG 022.00CR Wall-mounted bathtub tap without shower set	chrome	17/18	28x18x10,5	2,2
<b>X070547</b>	SG 022.20BLM Wall-mounted bathtub tap without shower set	matt black	17/18	28x18x10,5	2,3
<b>X070569</b>	SG 022.10WHM Wall-mounted bathtub tap without shower set	matt white	17/18	28x18x10,5	2,2



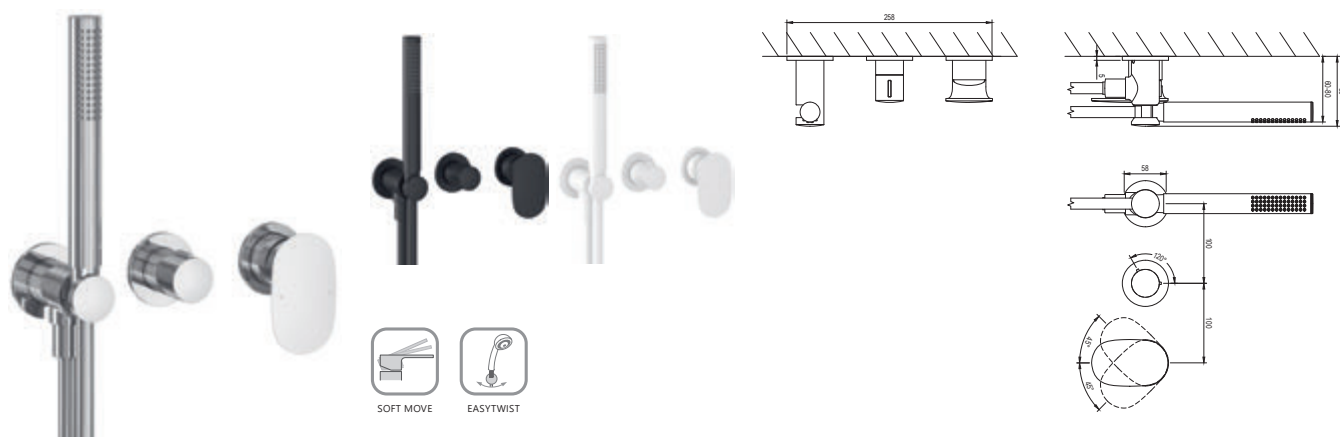
SOFT MOVE



Order No.	Type	Design	Flow rate	Size of packaging (cm)	Gross weight (kg)
<b>X070530</b>	SG 032.00CR Wall-mounted shower tap without shower set	chrome	18	28x18x10,5	1,9
<b>X070549</b>	SG 032.20BLM Wall-mounted shower tap without shower set	matt black	18	28x18x10,5	1,9
<b>X070571</b>	SG 032.10WHM Wall-mounted shower tap without shower set	matt white	18	28x18x10,5	1,9



Order No.	Type	Design	Flow rate	Size of packaging (cm)	Gross weight (kg)
<b>X070533</b>	SG 065.00CR.O2.RB072 2-way concealed tap without basic unit	chrome	22/23,5	21,5x13x18,5	2,2
<b>X070552</b>	SG 065.20BLM.O2.RB072 2-way concealed tap without basic unit	matt black	22/23,5	21,5x13x18,5	2,2
<b>X070574</b>	SG 065.10WHM.O2.RB072 2-way concealed tap without basic unit	matt white	22/23,5	21,5x13x18,5	2,2



Order No.	Type	Design	Flow rate	Size of packaging (cm)	Gross weight (kg)
<b>X070534</b>	SG 065.00CR.O2.+S 2-way concealed tap with basic unit, with shower set	chrome	12/17,5	41x31x7,5	3,2
<b>X070553</b>	SG 065.20BLM.O2.+S 2-way concealed tap with basic unit, with shower set	matt black	12/17,5	41x31x7,5	3,2
<b>X070575</b>	SG 065.10WHM.O2.+S 2-way concealed tap with basic unit, with shower set	matt white	12/17,5	41x31x7,5	3,2



5-YEAR WARRANTY ON TAPS



SOFT MOVE



RAVAK CLEANER CHROME

# Spring



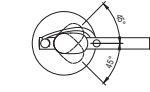
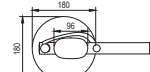
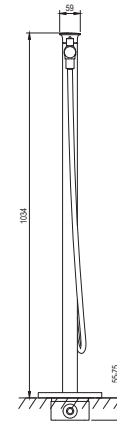
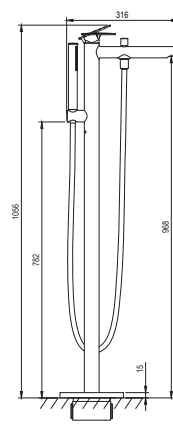
EASYCLEAN



EASYTWIST



DIVERTER LOCKING



Order No.	Type	Design	Flow rate	Size of packaging (cm)	Gross weight (kg)
<b>X070537</b>	SG 080.00CR.RB07A Floor-mounted bathtub tap without basic unit, with shower set	chrome	19,5/14	96x37x14	6,7
<b>X070556</b>	SG 080.20BLM.RB07A Floor-mounted bathtub tap without basic unit, with shower set	matt black	19,5/14	96x37x14	6,8
<b>X070578</b>	SG 080.10WHM.RB07A Floor-mounted bathtub tap without basic unit, with shower set	matt white	19,5/14	96x37x14	6,9



EASYCLEAN



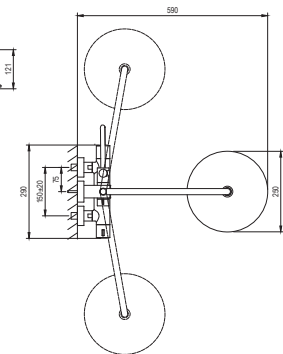
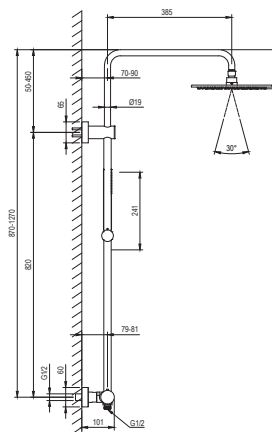
EASYCLEAN



CONSTANT TEMPERATURE



SCALD PROTECTION



Order No.	Type	Design	Flow rate	Size of packaging (cm)	Gross weight (kg)
<b>X070539</b>	SG 091.00CR Thermostatic shower column, adjustable, with shower set	chrome	10,5/13,5	104x45x9,5	7,0
<b>X070558</b>	SG 091.20BLM Thermostatic shower column, adjustable, with shower set	matt black	10,5/13,5	104x45x9,5	7,0
<b>X070579</b>	SG 091.10WHM Thermostatic shower column, adjustable, with shower set	matt white	10,5/13,5	104x45x9,5	7,0

# Espirit



6 colour options



New control method saves hot water and thus energy



The smart aerator reduces water consumption without compromising comfort

## Harmoniously rounded shapes, with nothing to distract

Craftsmanship perfection and utilitarian design, precisely matched to function. The essence of the Espirit tap lies in the shape of a cylinder, elevated to a work of art to be enjoyed by generations to come.

### Don't miss it

1. Deck-mounted washbasin taps have a 25 mm ceramic cartridge and 450 mm long flexible connecting hoses with a G3/8 thread.
2. The taps can be colour-matched with accessories such as washbasin waste plugs and traps, angle valves, bathtub waste sets with Bowden control, and shower tray waste traps.
3. Concealed taps have the code of the compatible R-box in their product name, so you can't go wrong when choosing one.
4. Deck-mounted washbasin taps are also available in the BeCool variant, which saves hot water by letting only cold water flow when the lever is lifted in the middle position.
5. ES 065.00.02.RB07D.+S ES 068.00.03.RB07D.+S taps include a set - hose, hand shower and integrated shower holder.

Shower accessories → 650

Waste traps / Waste plugs → 452

Extras → 672

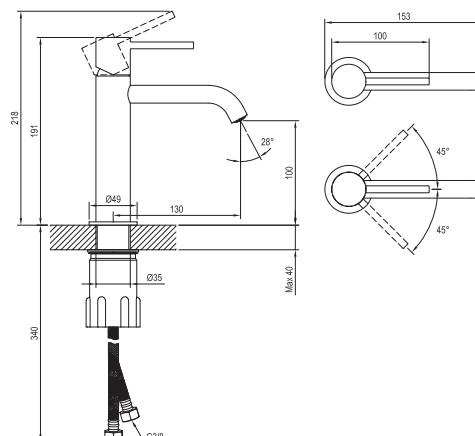
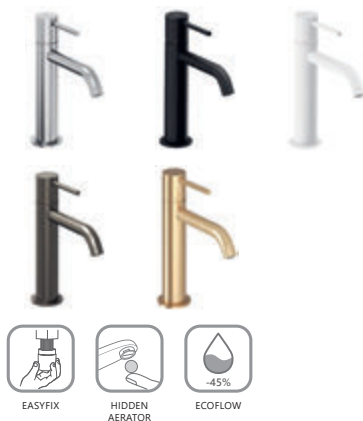
Washbasins → 388

Detergents → 693

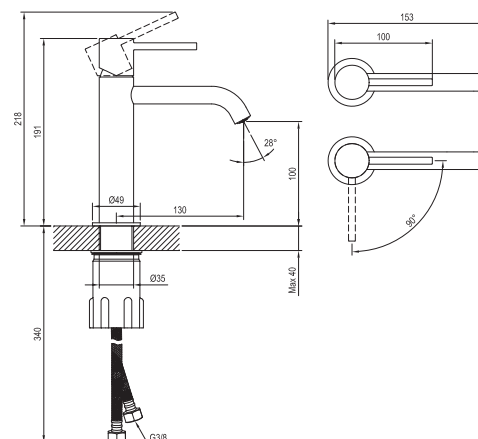
5

5-YEAR  
WARRANTY  
ON TAPS

**Espirit**



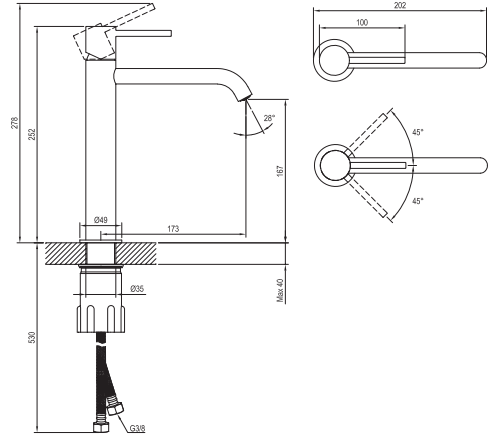
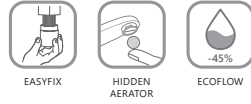
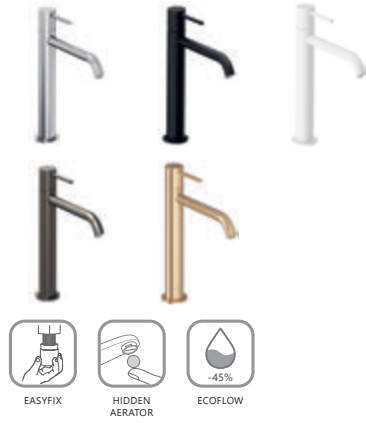
Order No.	Type	Design	Flow rate	Size of packaging (cm)	Gross weight (kg)
<b>X070193</b>	ES 012.00CR Washbasin tap 190 mm, without pop-up waste	Chrome	5	35,3x23x7,4	1,1
<b>X070236</b>	ES 012.10WV Washbasin tap 190 mm, without pop-up waste	White Velvet	5	35,3x23x7,4	1,1
<b>X070273</b>	ES 012.20BLM Washbasin tap 190 mm, without pop-up waste	Black Matt	5	35,3x23x7,4	1,1
<b>X070310</b>	ES 012.20GB Washbasin tap 190 mm, without pop-up waste	Graphite Brushed	5	35,3x23x7,4	1,1
<b>X070347</b>	ES 012.60RGB Washbasin tap 190 mm, without pop-up waste	Rose Gold Brushed	5	35,3x23x7,4	1,1
<b>X070597</b>	ES 012.60GLB Washbasin tap 190 mm, without pop-up waste	Gold Brushed	5	35,3x23x7,4	1,1



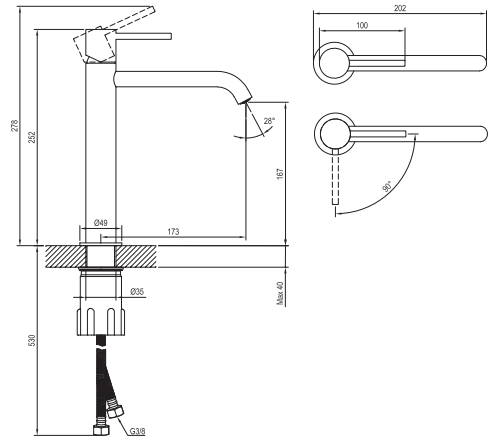
Order No.	Type	Design	Flow rate	Size of packaging (cm)	Gross weight (kg)
<b>X070394</b>	ES 012.01CR Washbasin BeCool tap 190 mm, without pop-up waste	Chrome	5	35,3x23x7,4	1,1
<b>X070395</b>	ES 012.11WV Washbasin BeCool tap 190 mm, without pop-up waste	White Velvet	5	35,3x23x7,4	1,1
<b>X070396</b>	ES 012.21BLM Washbasin BeCool tap 190 mm, without pop-up waste	Black Matt	5	35,3x23x7,4	1,1
<b>X070397</b>	ES 012.21GB Washbasin BeCool tap 190 mm, without pop-up waste	Graphite Brushed	5	35,3x23x7,4	1,1
<b>X070398</b>	ES 012.61RGB Washbasin BeCool tap 190 mm, without pop-up waste	Rose Gold Brushed	5	35,3x23x7,4	1,1
<b>X070617</b>	ES 012.61GLB Washbasin BeCool tap 190 mm, without pop-up waste	Gold Brushed	5	35,3x23x7,4	1,1

Flow rate is given in l/min at a pressure of 0.3 MPa. Products are delivered within 14 days as standard.

# ravak® Water taps



Order No.	Type	Design	Flow rate	Size of packaging (cm)	Gross weight (kg)
<b>X070389</b>	ES 014.00CR Washbasin tap 250 mm, without pop-up waste	Chrome	5	41,3x23x7,4	1,4
<b>X070390</b>	ES 014.10WV Washbasin tap 250 mm, without pop-up waste	White Velvet	5	41,3x23x7,4	1,4
<b>X070392</b>	ES 014.20BLM Washbasin tap 250 mm, without pop-up waste	Black Matt	5	41,3x23x7,4	1,4
<b>X070391</b>	ES 014.20GB Washbasin tap 250 mm, without pop-up waste	Graphite Brushed	5	41,3x23x7,4	1,4
<b>X070393</b>	ES 014.60RGB Washbasin tap 250 mm, without pop-up waste	Rose Gold Brushed	5	41,3x23x7,4	1,4
<b>X070616</b>	ES 014.60GLB Washbasin tap 250 mm, without pop-up waste	Gold Brushed	5	41,3x23x7,4	1,4



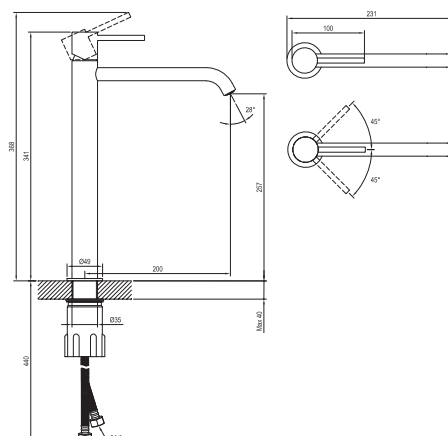
Order No.	Type	Design	Flow rate	Size of packaging (cm)	Gross weight (kg)
<b>X070399</b>	ES 014.01CR Washbasin BeCool tap 250 mm, without pop-up waste	Chrome	5	41,3x23x7,4	1,4
<b>X070400</b>	ES 014.11WV Washbasin BeCool tap 250 mm, without pop-up waste	White Velvet	5	41,3x23x7,4	1,4
<b>X070402</b>	ES 014.21BLM Washbasin BeCool tap 250 mm, without pop-up waste	Black Matt	5	41,3x23x7,4	1,4
<b>X070401</b>	ES 014.21GB Washbasin BeCool tap 250 mm, without pop-up waste	Graphite Brushed	5	41,3x23x7,4	1,4
<b>X070403</b>	ES 014.61RGB Washbasin BeCool tap 250 mm, without pop-up waste	Rose Gold Brushed	5	41,3x23x7,4	1,4
<b>X070618</b>	ES 014.61GLB Washbasin BeCool tap 250 mm, without pop-up waste	Gold Brushed	5	41,3x23x7,4	1,4

Flow rate is given in l/min at a pressure of 0.3 MPa. Products are delivered within 14 days as standard.

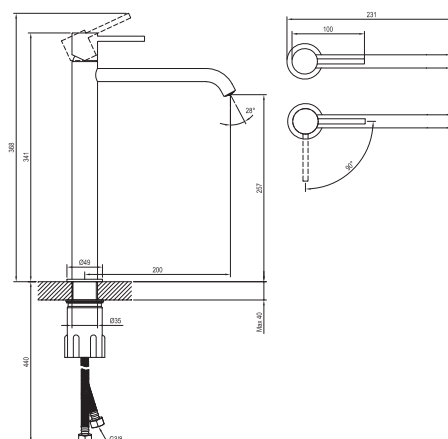
5

5-YEAR  
WARRANTY  
ON TAPS

**Esprit**



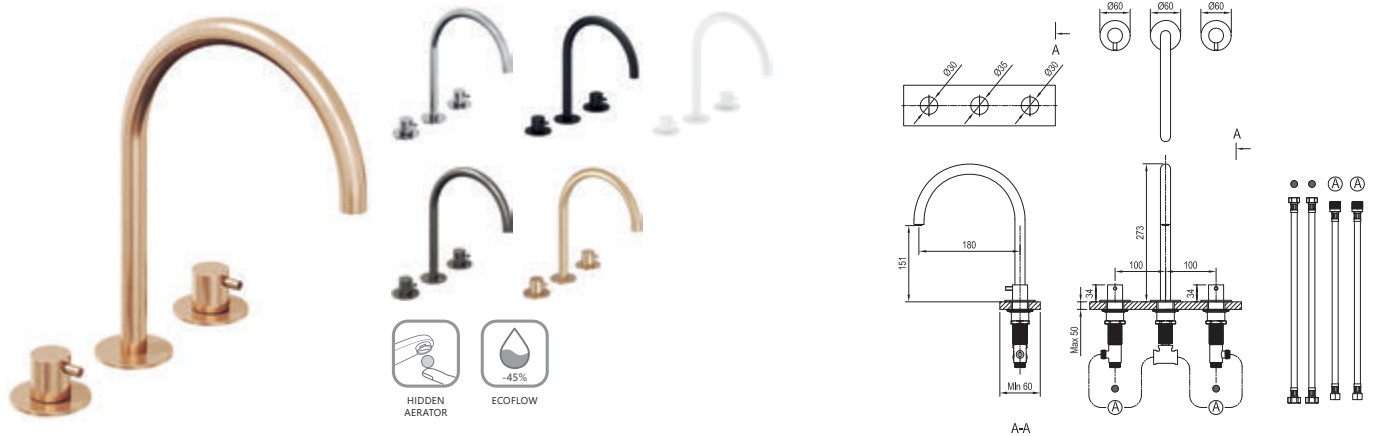
Order No.	Type	Design	Flow rate	Size of packaging (cm)	Gross weight (kg)
<b>X070194</b>	ES 015.00CR Washbasin tap 340 mm, without pop-up waste	Chrome	5	41,3x23x7,4	1,8
<b>X070237</b>	ES 015.10WV Washbasin tap 340 mm, without pop-up waste	White Velvet	5	41,3x23x7,4	1,8
<b>X070274</b>	ES 015.20BLM Washbasin tap 340 mm, without pop-up waste	Black Matt	5	41,3x23x7,4	1,8
<b>X070311</b>	ES 015.20GB Washbasin tap 340 mm, without pop-up waste	Graphite Brushed	5	41,3x23x7,4	1,8
<b>X070348</b>	ES 015.60RGB Washbasin tap 340 mm, without pop-up waste	Rose Gold Brushed	5	41,3x23x7,4	1,8
<b>X070598</b>	ES 015.60GLB Washbasin tap 340 mm, without pop-up waste	Gold Brushed	5	41,3x23x7,4	1,8



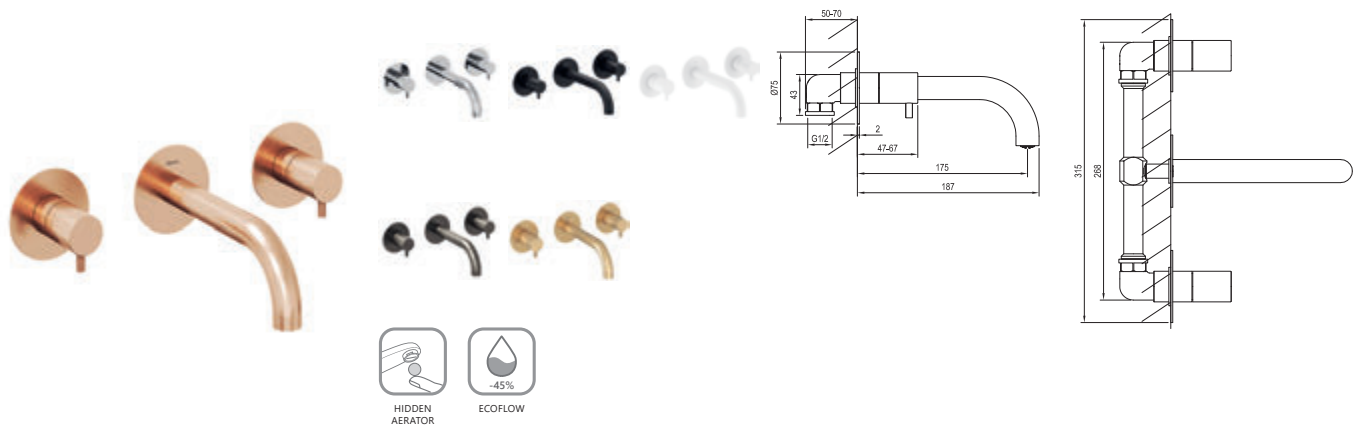
Order No.	Type	Design	Flow rate	Size of packaging (cm)	Gross weight (kg)
<b>X070404</b>	ES 015.01CR Washbasin BeCool tap 340 mm, without pop-up waste	Chrome	5	41,3x23x7,4	1,8
<b>X070405</b>	ES 015.11WV Washbasin BeCool tap 340 mm, without pop-up waste	White Velvet	5	41,3x23x7,4	1,8
<b>X070406</b>	ES 015.21BLM Washbasin BeCool tap 340 mm, without pop-up waste	Black Matt	5	41,3x23x7,4	1,8
<b>X070407</b>	ES 015.21GB Washbasin BeCool tap 340 mm, without pop-up waste	Graphite Brushed	5	41,3x23x7,4	1,8
<b>X070408</b>	ES 015.61RGB Washbasin BeCool tap 340 mm, without pop-up waste	Rose Gold Brushed	5	41,3x23x7,4	1,8
<b>X070561</b>	ES 015.61GLB Washbasin BeCool tap 340 mm, without pop-up waste	Gold Brushed	5	41,3x23x7,4	1,9

Flow rate is given in l/min at a pressure of 0.3 MPa. Products are delivered within 14 days as standard.

# ravak® Water taps

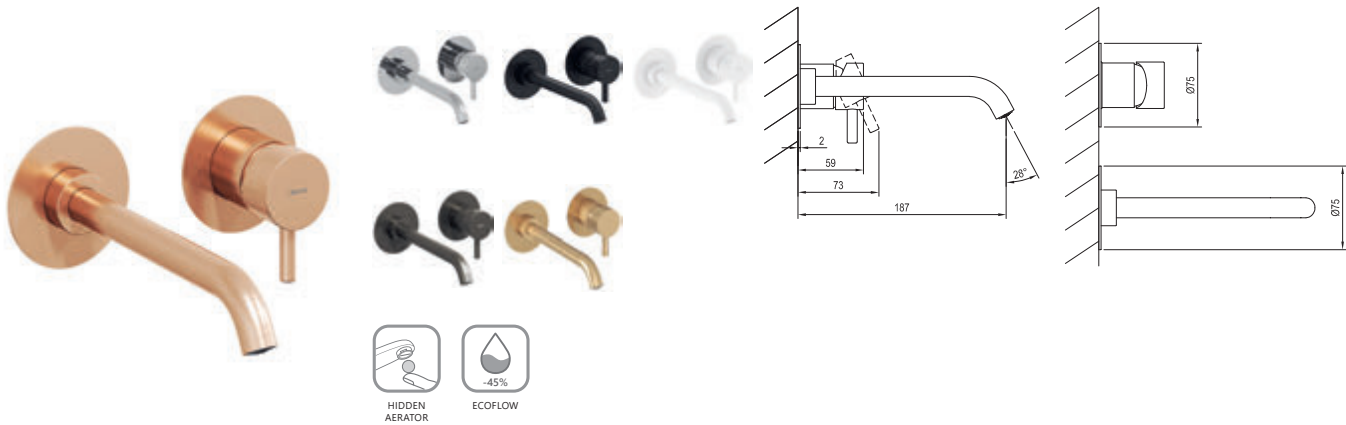


Order No.	Type	Design	Flow rate	Size of packaging (cm)	Gross weight (kg)
<b>X070195</b>	ES 018.00CR 3-hole washbasin tap 270 mm, without pop-up waste	Chrome	5	41,3x23x7,4	2,4
<b>X070238</b>	ES 018.10WV 3-hole washbasin tap 270 mm, without pop-up waste	White Velvet	5	41,3x23x7,4	2,4
<b>X070275</b>	ES 018.20BLM 3-hole washbasin tap 270 mm, without pop-up waste	Black Matt	5	41,3x23x7,4	2,4
<b>X070312</b>	ES 018.20GB 3-hole washbasin tap 270mm, without pop-up waste	Graphite Brushed	5	41,3x23x7,4	2,4
<b>X070349</b>	ES 018.60RGB 3-hole washbasin tap 270 mm, without pop-up waste	Rose Gold Brushed	5	41,3x23x7,4	2,4
<b>X070599</b>	ES 018.60GLB 3-hole washbasin tap 270 mm, without pop-up waste	Gold Brushed	5	41,3x23x7,4	2,4



Order No.	Type	Design	Flow rate	Size of packaging (cm)	Gross weight (kg)
<b>X070196</b>	ES 019.00CR.O1 Concealed washbasin tap with basic unit	Chrome	5	41,3x23x7,4	2,1
<b>X070239</b>	ES 019.10WV.O1 Concealed washbasin tap with basic unit	White Velvet	5	41,3x23x7,4	2,1
<b>X070276</b>	ES 019.20BLM.O1 Concealed washbasin tap with basic unit	Black Matt	5	41,3x23x7,4	2,1
<b>X070313</b>	ES 019.20GB.O1 Concealed washbasin tap with basic unit	Graphite Brushed	5	41,3x23x7,4	2,1
<b>X070350</b>	ES 019.60RGB.O1 Concealed washbasin tap with basic unit	Rose Gold Brushed	5	41,3x23x7,4	2,1
<b>X070600</b>	ES 019.60GLB.O1 Concealed washbasin tap with basic unit	Gold Brushed	5	41,3x23x7,4	2,3

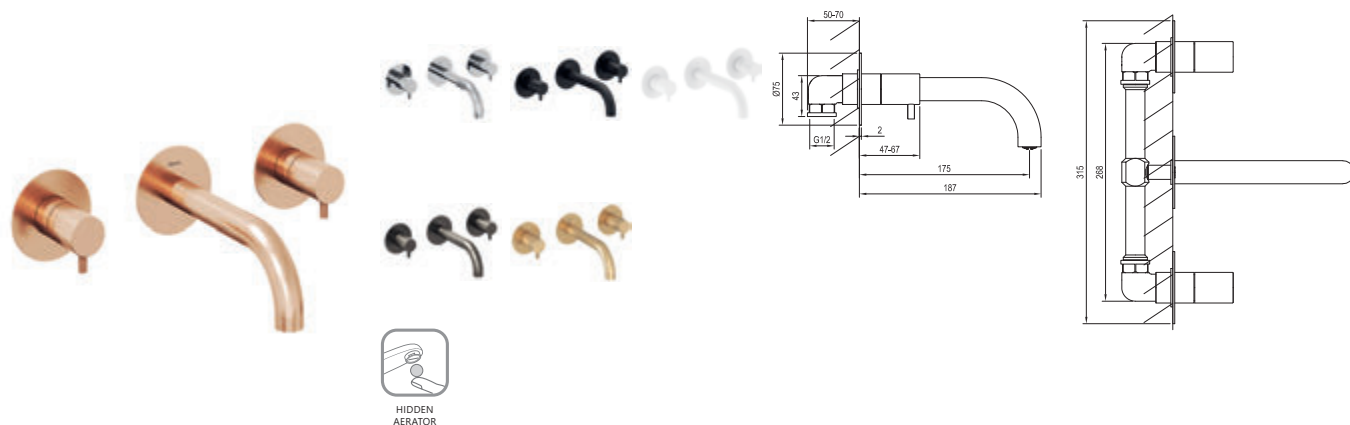
Flow rate is given in l/min at a pressure of 0.3 MPa. Products are delivered within 14 days as standard.



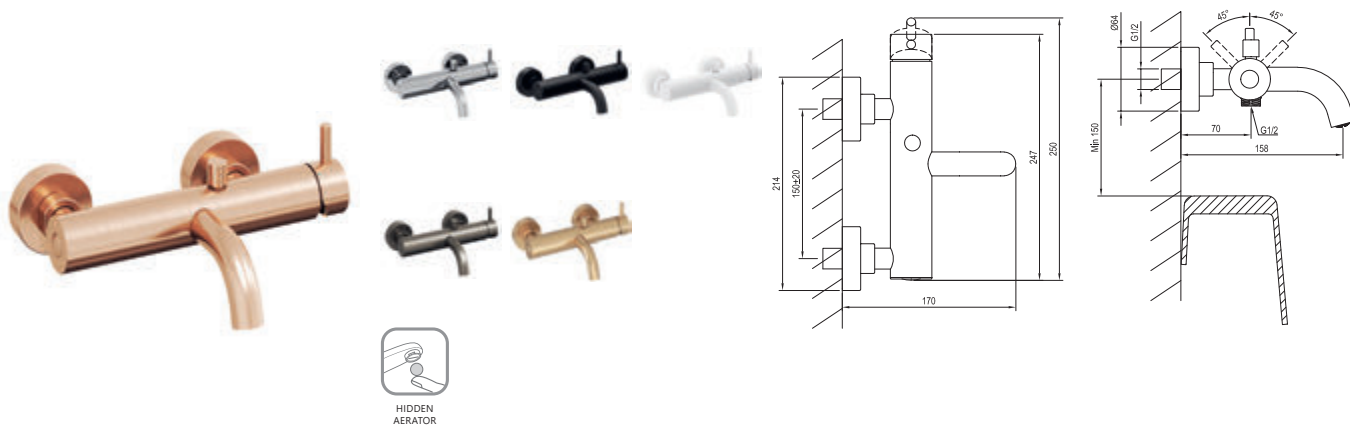
Order No.	Type	Design	Flow rate	Size of packaging (cm)	Gross weight (kg)
<b>X070198</b>	ES 019.00CR.O1.RB07B Concealed washbasin tap without basic unit	Chrome	5	32x22,5x8	0,9
<b>X070241</b>	ES 019.10WV.O1.RB07B Concealed washbasin tap without basic unit	White Velvet	5	32x22,5x8	0,9
<b>X070278</b>	ES 019.20BLM.O1.RB07B Concealed washbasin tap without basic unit	Black Matt	5	32x22,5x8	0,9
<b>X070315</b>	ES 019.20GB.O1.RB07B Concealed washbasin tap without basic unit	Graphite Brushed	5	32x22,5x8	0,9
<b>X070352</b>	ES 019.60RGB.O1.RB07B Concealed washbasin tap without basic unit	Rose Gold Brushed	5	32x22,5x8	0,9
<b>X070602</b>	ES 019.60GLB.O1.RB07B Concealed washbasin tap without basic unit	Gold Brushed	5	32x22,5x8	0,9
<b>X070231</b>	RB 07B.50 R-box Basin, basic unit for concealed washbasin taps	-	-	25,7x11x11,5	1,2



Order No.	Type	Design	Flow rate	Size of packaging (cm)	Gross weight (kg)
<b>X07P797</b>	ES 027.00CR Bath spout	Chrome	-	26x15x7	0,8
<b>X07P798</b>	ES 027.10WV Bath spout	White Velvet	-	26x15x7	0,8
<b>X07P799</b>	ES 027.20BLM Bath spout	Black Matt	-	26x15x7	0,8
<b>X07P800</b>	ES 027.20GB Bath spout	Graphite Brushed	-	26x15x7	0,8
<b>X07P801</b>	ES 027.60RGB Bath spout	Rose Gold Brushed	-	26x15x7	0,8
<b>X07P1236</b>	ES 027.60GLB Bath spout	Gold Brushed	-	26x15x7	0,8

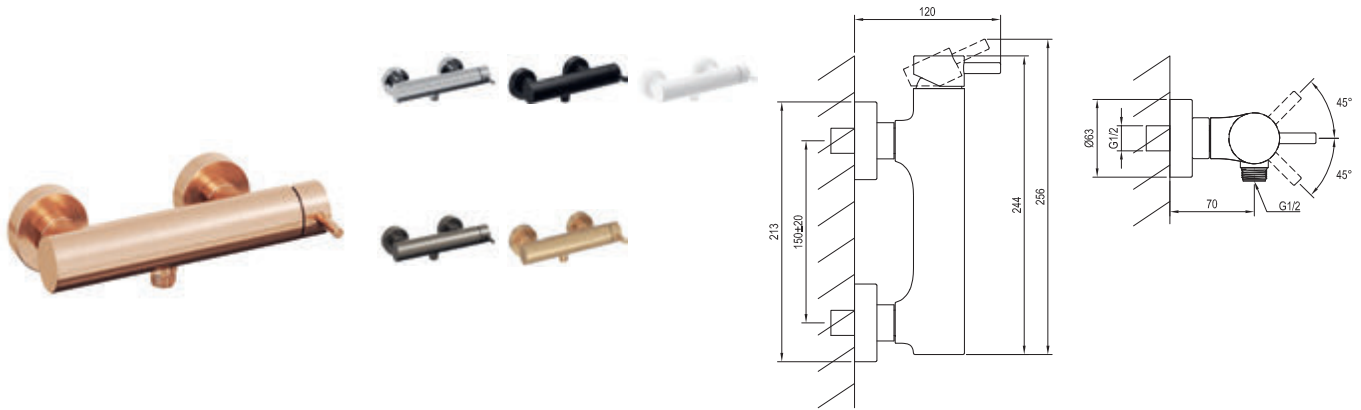


Order No.	Type	Design	Flow rate	Size of packaging (cm)	Gross weight (kg)
<b>X070197</b>	ES 021.00CR.O1 Concealed bathtub tap with basic unit	Chrome	18	41,3x23x7,4	2,1
<b>X070240</b>	ES 021.10WV.O1 Concealed bathtub tap with basic unit	White Velvet	18	41,3x23x7,4	2,1
<b>X070277</b>	ES 021.20BLM.O1 Concealed bathtub tap with basic unit	Black Matt	18	41,3x23x7,4	2,1
<b>X070314</b>	ES 021.20GB.O1 Concealed bathtub tap with basic unit	Graphite Brushed	18	41,3x23x7,4	2,1
<b>X070351</b>	ES 021.60RGB.O1 Concealed bathtub tap with basic unit	Rose Gold Brushed	18	41,3x23x7,4	2,1
<b>X070601</b>	ES 021.60GLB.O1 Concealed bathtub tap with basic unit	Gold Brushed	18	41,3x23x7,4	2,3

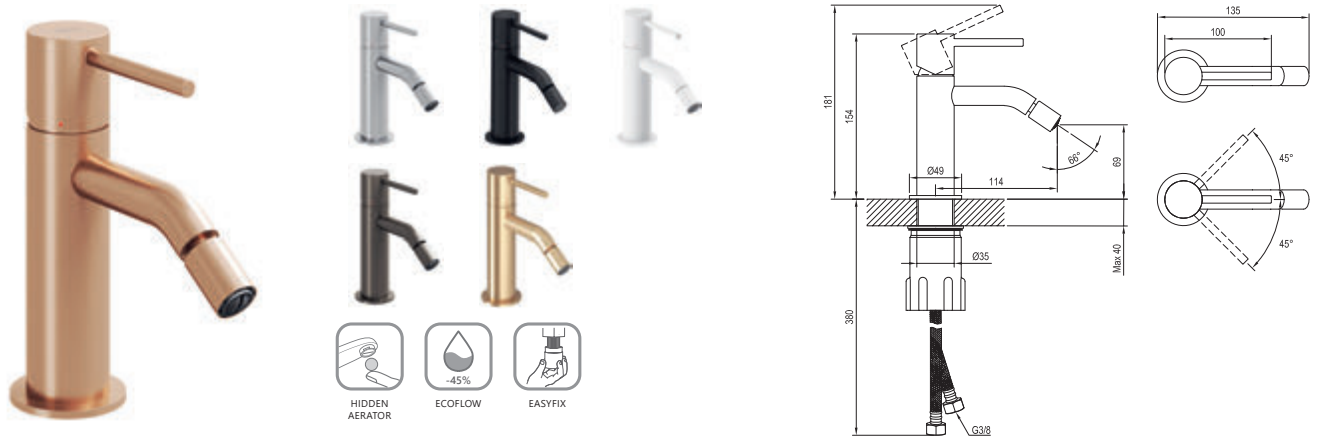


Order No.	Type	Design	Flow rate	Size of packaging (cm)	Gross weight (kg)
<b>X070199</b>	ES 022.00CR Wall-mounted bathtub tap without shower set	Chrome	14/16	27x24,4x7	2,2
<b>X070242</b>	ES 022.10WV Wall-mounted bathtub tap without shower set	White Velvet	14/16	27x24,4x7	2,2
<b>X070279</b>	ES 022.20BLM Wall-mounted bathtub tap without shower set	Black Matt	14/16	27x24,4x7	2,2
<b>X070316</b>	ES 022.20GB Wall-mounted bathtub tap without shower set	Graphite Brushed	14/16	27x24,4x7	2,2
<b>X070353</b>	ES 022.60RGB Wall-mounted bathtub tap without shower set	Rose Gold Brushed	14/16	27x24,4x7	2,2
<b>X070603</b>	ES 022.60GLB Wall-mounted bathtub tap without shower set	Gold Brushed	14/16	27x24,4x7	2,2

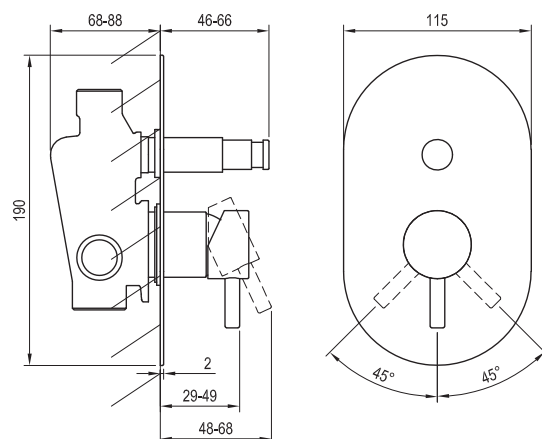
Flow rate values ES 022.XX: bathtub/hand shower  
Flow rate is given in l/min at a pressure of 0.3 MPa. Products are delivered within 14 days as standard.



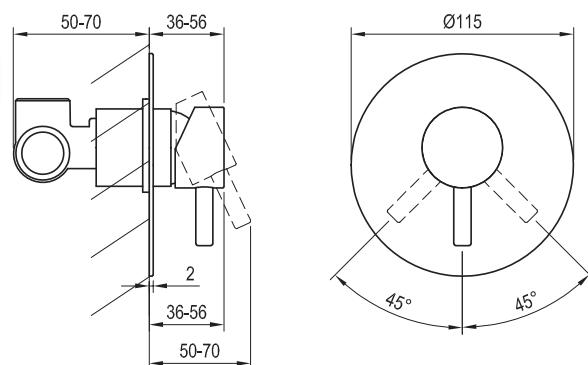
Order No.	Type	Design	Flow rate	Size of packaging (cm)	Gross weight (kg)
X070200	ES 032.00CR Wall-mounted shower tap without shower set	Chrome	24	27x24,4x7	1,9
X070243	ES 032.10WV Wall-mounted shower tap without shower set	White Velvet	24	27x24,4x7	1,9
X070280	ES 032.20BLM Wall-mounted shower tap without shower set	Black Matt	24	27x24,4x7	1,9
X070317	ES 032.20GB Wall-mounted shower tap without shower set	Graphite Brushed	24	27x24,4x7	1,9
X070354	ES 032.60RGB Wall-mounted shower tap without shower set	Rose Gold Brushed	24	27x24,4x7	1,9
X070604	ES 032.60GLB Wall-mounted shower tap without shower set	Gold Brushed	24	27x24,4x7	1,9



Order No.	Type	Design	Flow rate	Size of packaging (cm)	Gross weight (kg)
X070201	ES 056.00CR Bidet tap 154 mm, without pop-up waste	Chrome	5	35,3x23x7,4	1,0
X070244	ES 056.10WV Bidet tap 154 mm, without pop-up waste	White Velvet	5	35,3x23x7,4	1,0
X070281	ES 056.20BLM Bidet tap 154 mm, without pop-up waste	Black Matt	5	35,3x23x7,4	1,0
X070318	ES 056.20GB Bidet tap 154 mm, without pop-up waste	Graphite Brushed	5	35,3x23x7,4	1,0
X070355	ES 056.60RGB Bidet tap 154 mm, without pop-up waste	Rose Gold Brushed	5	35,3x23x7,4	1,0
X070605	ES 056.60GLB Bidet tap 154 mm, without pop-up waste	Gold Brushed	5	35,3x23x7,4	1,0

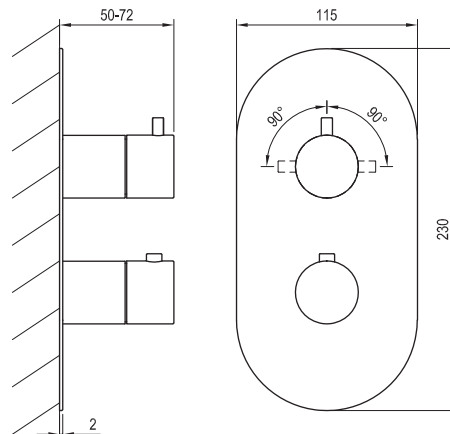


Order No.	Type	Design	Flow rate	Size of packaging (cm)	Gross weight (kg)
<b>X070204</b>	ES 061.00CR.O2 2-way concealed tap with basic unit	Chrome	19/22	19,6x14,2x8,2	1,5
<b>X070247</b>	ES 061.10WV.O2 2-way concealed tap with basic unit	White Velvet	19/22	19,6x14,2x8,2	1,5
<b>X070284</b>	ES 061.20BLM.O2 2-way concealed tap with basic unit	Black Matt	19/22	19,6x14,2x8,2	1,5
<b>X070321</b>	ES 061.20GB.O2 2-way concealed tap with basic unit	Graphite Brushed	19/22	19,6x14,2x8,2	1,5
<b>X070358</b>	ES 061.60RGB.O2 2-way concealed tap with basic unit	Rose Gold Brushed	19/22	19,6x14,2x8,2	1,5
<b>X070608</b>	ES 061.60GLB.O2 2-way concealed tap with basic unit	Gold Brushed	19/22	19,6x14,2x8,2	1,7

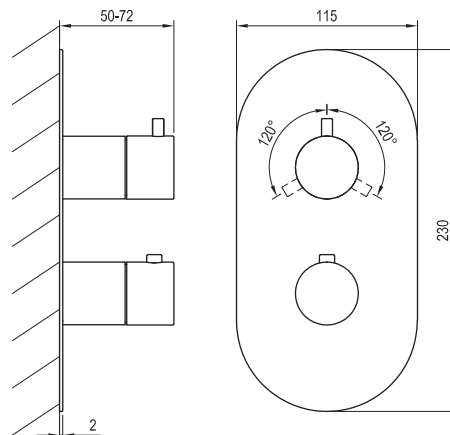


Order No.	Type	Design	Flow rate	Size of packaging (cm)	Gross weight (kg)
<b>X070205</b>	ES 062.00CR.O1 1-way concealed tap with basic unit	Chrome	25	19,6x14,2x8,2	0,8
<b>X070248</b>	ES 062.10WV.O1 1-way concealed tap with basic unit	White Velvet	25	19,6x14,2x8,2	0,8
<b>X070285</b>	ES 062.20BLM.O1 1-way concealed tap with basic unit	Black Matt	25	19,6x14,2x8,2	0,8
<b>X070322</b>	ES 062.20GB.O1 1-way concealed tap with basic unit	Graphite Brushed	25	19,6x14,2x8,2	0,8
<b>X070359</b>	ES 062.60RGB.O1 1-way concealed tap with basic unit	Rose Gold Brushed	25	19,6x14,2x8,2	0,8
<b>X070609</b>	ES 062.60GLB.O1 1-way concealed tap with basic unit	Gold Brushed	25	19,6x14,2x8,2	0,9

Flow rate values ES 061.XX.O2: outlet 1/outlet 2  
Flow rate is given in l/min at a pressure of 0.3 MPa. Products are delivered within 14 days as standard.



Order No.	Type	Design	Flow rate	Size of packaging (cm)	Gross weight (kg)
<b>X070206</b>	ES 063.00CR.O2.RB07C 2-way thermostatic concealed tap without basic unit	Chrome	22/22	26x15x7,5	1,0
<b>X070249</b>	ES 063.10WV.O2.RB07C 2-way thermostatic concealed tap without basic unit	White Velvet	22/22	26x15x7,5	1,0
<b>X070286</b>	ES 063.20BLM.O2.RB07C 2-way thermostatic concealed tap without basic unit	Black Matt	22/22	26x15x7,5	1,0
<b>X070323</b>	ES 063.20GB.O2.RB07C 2-way thermostatic concealed tap without basic unit	Graphite Brushed	22/22	26x15x7,5	1,0
<b>X070360</b>	ES 063.60RGB.O2.RB07C 2-way thermostatic concealed tap without basic unit	Rose Gold Brushed	22/22	26x15x7,5	1,0
<b>X070610</b>	ES 063.60GLB.O2.RB07C 2-way thermostatic concealed tap without basic unit	Gold Brushed	22/22	26x15x7,5	1,2
<b>X070232</b>	RB 07C.50 R-box Termo, basic unit for concealed thermostatic taps	-	-	15,7x17x15,7	2,7



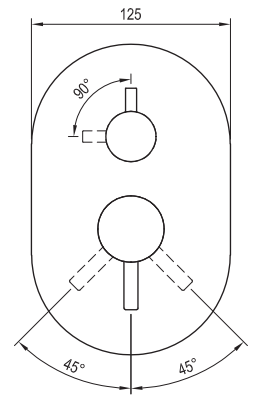
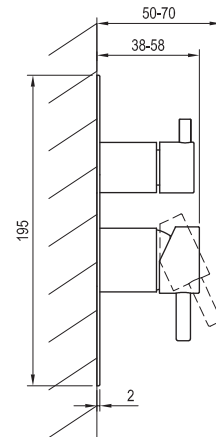
Order No.	Type	Design	Flow rate	Size of packaging (cm)	Gross weight (kg)
<b>X070209</b>	ES 067.00CR.O3.RB07C 3-way thermostatic concealed tap without basic unit	Chrome	22/22/22	26x15x7,5	1,0
<b>X070252</b>	ES 067.10WV.O3.RB07C 3-way thermostatic concealed tap without basic unit	White Velvet	22/22/22	26x15x7,5	1,0
<b>X070289</b>	ES 067.20BLM.O3.RB07C 3-way thermostatic concealed tap without basic unit	Black Matt	22/22/22	26x15x7,5	1,0
<b>X070326</b>	ES 067.20GB.O3.RB07C 3-way thermostatic concealed tap without basic unit	Graphite Brushed	22/22/22	26x15x7,5	1,0
<b>X070363</b>	ES 067.60RGB.O3.RB07C 3-way thermostatic concealed tap without basic unit	Rose Gold Brushed	22/22/22	26x15x7,5	1,0
<b>X070613</b>	ES 067.60GLB.O3.RB07C 3-way thermostatic concealed tap without basic unit	Gold Brushed	22/22/22	26x15x7,5	1,2
<b>X070232</b>	RB 07C.50 R-box Termo, basic unit for concealed thermostatic taps	-	-	15,7x17x15,7	2,7

Flow rate values ES 063.XX.O2.RB07C: outlet 1/outlet 2

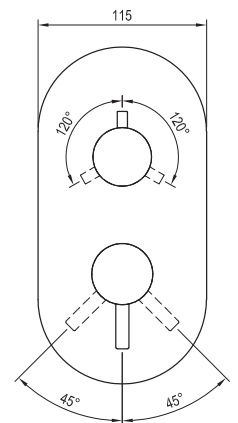
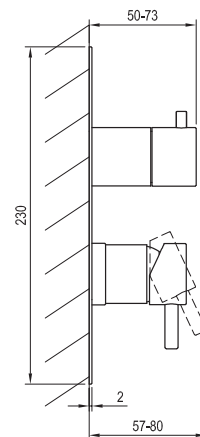
Flow rate values ES 067.XX.O3.RB07C: outlet 1/outlet 2/outlet 3

Flow rate is given in l/min at a pressure of 0.3 MPa. Products are delivered within 14 days as standard.

# ravak® Water taps

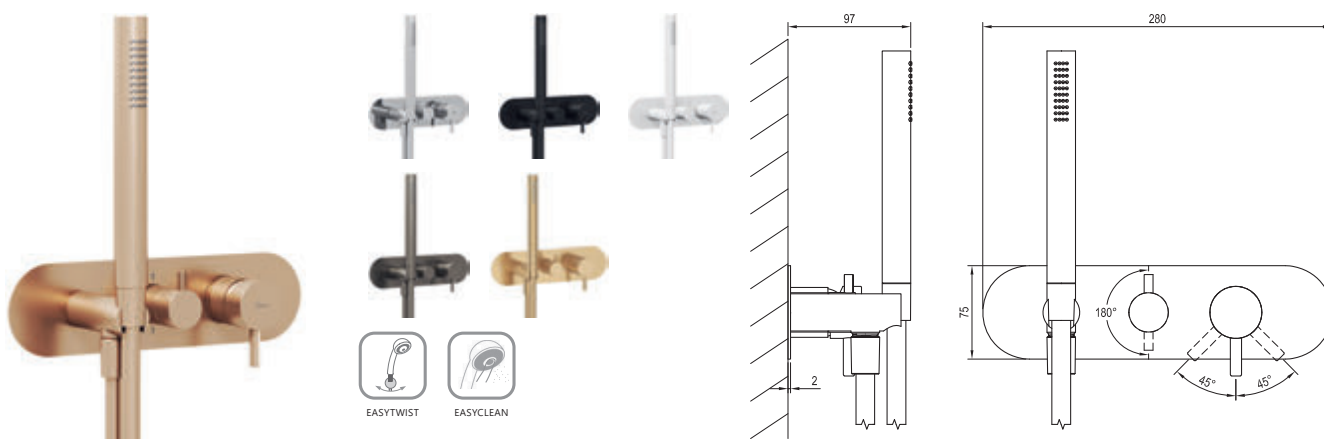


Order No.	Type	Design	Flow rate	Size of packaging (cm)	Gross weight (kg)
<b>X070208</b>	ES 065.00CR.O2.RB07E 2-way concealed tap without basic unit	Chrome	12/12	26x15x7,5	0,8
<b>X070251</b>	ES 065.10WV.O2.RB07E 2-way concealed tap without basic unit	White Velvet	12/12	26x15x7,5	0,8
<b>X070288</b>	ES 065.20BLM.O2.RB07E 2-way concealed tap without basic unit	Black Matt	12/12	26x15x7,5	0,8
<b>X070325</b>	ES 065.20GB.O2.RB07E 2-way concealed tap without basic unit	Graphite Brushed	12/12	26x15x7,5	0,8
<b>X070362</b>	ES 065.60RGB.O2.RB07E 2-way concealed tap without basic unit	Rose Gold Brushed	12/12	26x15x7,5	0,8
<b>X070612</b>	ES 065.60GLB.O2.RB07E 2-way concealed tap without basic unit	Gold Brushed	12/12	26x15x7,5	1,0
<b>X070234</b>	RB 07E.50 R-box Vertical O1/O2, basic unit for concealed taps	-		14,2x14x11,7	1,4

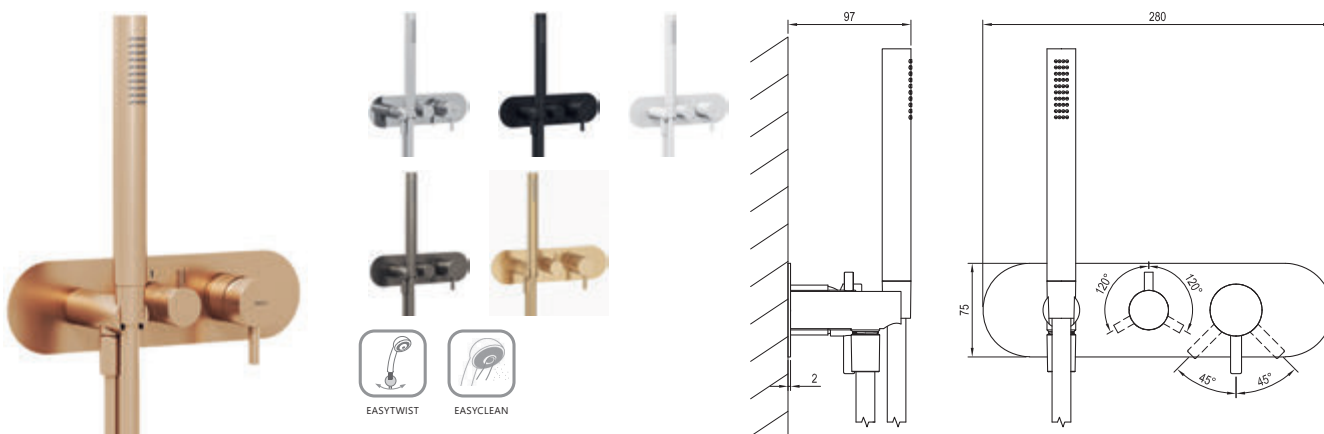


Order No.	Type	Design	Flow rate	Size of packaging (cm)	Gross weight (kg)
<b>X070203</b>	ES 068.00CR.O3.RB07F 3-way concealed tap without basic unit	Chrome	22/22/22	26x15x7,5	1,0
<b>X070246</b>	ES 068.10WV.O3.RB07F 3-way concealed tap without basic unit	White Velvet	22/22/22	26x15x7,5	1,0
<b>X070283</b>	ES 068.20BLM.O3.RB07F 3-way concealed tap without basic unit	Black Matt	22/22/22	26x15x7,5	1,0
<b>X070320</b>	ES 068.20GB.O3.RB07F 3-way concealed tap without basic unit	Graphite Brushed	22/22/22	26x15x7,5	1,0
<b>X070357</b>	ES 068.60RGB.O3.RB07F 3-way concealed tap without basic unit	Rose Gold Brushed	22/22/22	26x15x7,5	1,0
<b>X070607</b>	ES 068.60GLB.O3.RB07F 3-way concealed tap without basic unit	Gold Brushed	22/22/22	26x15x7,5	1,2
<b>X070235</b>	RB 07F.50 R-box Vertical O2/O3, basic unit for concealed taps	-		15,7x17x15,7	2,8

Flow rate values ES 065.XX.O2.RB07E: outlet 1/outlet 2  
 Flow rate values ES 068.XX.O3.RB07F: outlet 1/outlet 2/outlet 3  
 Flow rate is given in l/min at a pressure of 0.3 MPa. Products are delivered within 14 days as standard.



Order No.	Type	Design	Flow rate	Size of packaging (cm)	Gross weight (kg)
X070207	ES 065.00CR.O2.RB07D.+S 2-way concealed tap without basic unit, with shower set	Chrome	10/16	32x22,5x8	1,7
X070250	ES 065.10WV.O2.RB07D.+S 2-way concealed tap without basic unit, with shower set	White Velvet	10/16	32x22,5x8	1,7
X070287	ES 065.20BLM.O2.RB07D.+S 2-way concealed tap without basic unit, with shower set	Black Matt	10/16	32x22,5x8	1,7
X070324	ES 065.20GB.O2.RB07D.+S 2-way concealed tap without basic unit, with shower set	Graphite Brushed	10/16	32x22,5x8	1,7
X070361	ES 065.60RGB.O2.RB07D.+S 2-way concealed tap without basic unit, with shower set	Rose Gold Brushed	10/16	32x22,5x8	1,7
X070611	ES 065.60GLB.O2.RB07D.+S 2-way concealed tap without basic unit, with shower set	Gold Brushed	10/16	32x22,5x8	2,0
X070233	RB 07D.50 R-box Horizontal, basic unit for concealed taps	-		25,7x11x1,5	1,9



Order No.	Type	Design	Flow rate	Size of packaging (cm)	Gross weight (kg)
X070202	ES 068.00CR.O3.RB07D.+S 3-way concealed tap without basic unit, with shower set	Chrome	10/17/16	32x22,5x8	1,7
X070245	ES 068.10WV.O3.RB07D.+S 3-way concealed tap without basic unit, with shower set	White Velvet	10/17/16	32x22,5x8	1,7
X070282	ES 068.20BLM.O3.RB07D.+S 3-way concealed tap without basic unit, with shower set	Black Matt	10/17/16	32x22,5x8	1,7
X070319	ES 068.20GB.O3.RB07D.+S 3-way concealed tap without basic unit, with shower set	Graphite Brushed	10/17/16	32x22,5x8	1,7
X070356	ES 068.60RGB.O3.RB07D.+S 3-way concealed tap without basic unit, with shower set	Rose Gold Brushed	10/17/16	32x22,5x8	1,7
X070606	ES 068.60GLB.O3.RB07D.+S 3-way concealed tap without basic unit, with shower set	Gold Brushed	10/17/16	32x22,5x8	2,0
X070233	RB 07D.50 R-box Horizontal, basic unit for concealed taps	-		25,7x11x1,5	1,9

Flow rate values ES 065.XX.O2.RB07D.+S: hand shower/outlet 2

Flow rate values ES 068.XX.O3.RB07D.+S: hand shower/outlet 2/outlet 3

Flow rate is given in l/min at a pressure of 0.3 MPa. Products are delivered within 14 days as standard.

# Eleganta



5 colour options



New control method saves hot water and thus energy



-45%

The smart aerator reduces water consumption without compromising comfort

## Feel the subtlety and elegance

Eleganta combines craftsmanship with Italian design. The fluidity of water meets the stability of metal, with the gentle rounding of the arm, the firmness of the body, and the distinctive solid lever.

### Don't miss it

- 1.** Deck-mounted washbasin taps have a 25 mm ceramic cartridge and 450 mm long flexible connecting hoses with a G3/8 thread. Washbasin taps feature a CoinSlot aerator for easy installation and removal using a coin.
- 2.** The taps can be colour-matched with accessories such as washbasin waste plugs and traps, angle valves, bathtub waste sets with Bowden control, and shower tray waste traps.
- 3.** Concealed taps have the code of the compatible R-box in their product name, so you can't go wrong when choosing one.
- 4.** Deck-mounted washbasin taps are also available in the BeCool variant, which saves hot water by letting only cold water flow when the lever is lifted in the middle position.
- 5.** EL 065.00.02.RB07D.+S EL 068.00.03.RB07D.+S taps include a set - hose, hand shower and integrated shower holder.

Shower accessories → 650

Waste traps / Waste plugs → 452

Extras → 672

Washbasins → 388

Detergents → 693

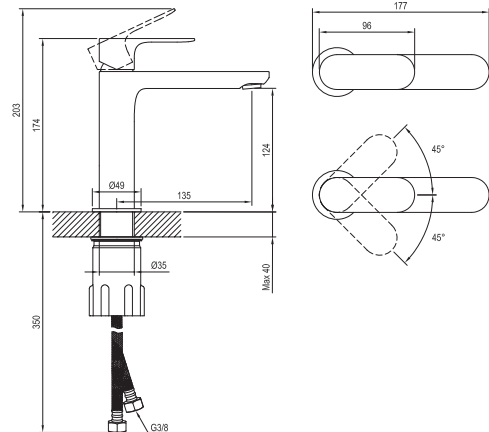
5

5-YEAR  
WARRANTY  
ON TAPS

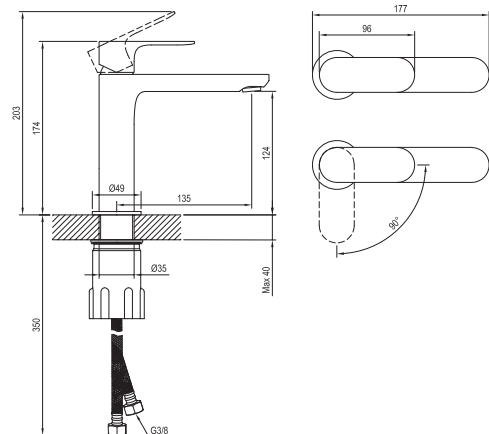


SOFT MOVE

# Eleganta



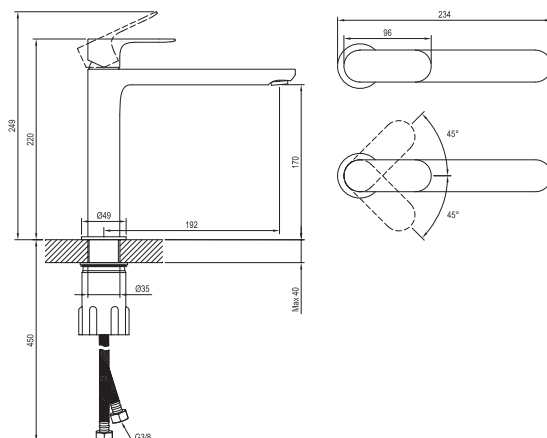
Order No.	Type	Design	Flow rate	Size of packaging (cm)	Gross weight (kg)
<b>X070210</b>	EL 012.00CR Washbasin tap 170 mm, without pop-up waste	Chrome	5	35,3x23x7,4	1,4
<b>X070253</b>	EL 012.10WV Washbasin tap 170 mm, without pop-up waste	White Velvet	5	35,3x23x7,4	1,4
<b>X070290</b>	EL 012.20BLM Washbasin tap 170 mm, without pop-up waste	Black Matt	5	35,3x23x7,4	1,4
<b>X070327</b>	EL 012.20GB Washbasin tap 170 mm, without pop-up waste	Graphite Brushed	5	35,3x23x7,4	1,4
<b>X070364</b>	EL 012.60RGB Washbasin tap 170 mm, without pop-up waste	Rose Gold Brushed	5	35,3x23x7,4	1,4



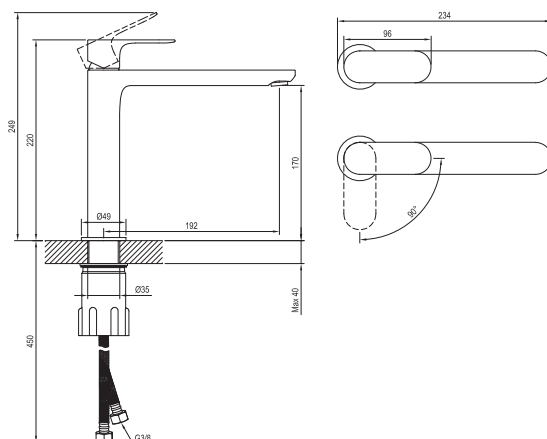
Order No.	Type	Design	Flow rate	Size of packaging (cm)	Gross weight (kg)
<b>X070409</b>	EL 012.01CR Washbasin BeCool tap 170 mm, without pop-up waste	Chrome	5	35,3x23x7,4	1,4
<b>X070410</b>	EL 012.11WV Washbasin BeCool tap 170 mm, without pop-up waste	White Velvet	5	35,3x23x7,4	1,4
<b>X070411</b>	EL 012.21BLM Washbasin BeCool tap 170 mm, without pop-up waste	Black Matt	5	35,3x23x7,4	1,4
<b>X070412</b>	EL 012.21GB Washbasin BeCool tap 170 mm, without pop-up waste	Graphite Brushed	5	35,3x23x7,4	1,4
<b>X070413</b>	EL 012.61RGB Washbasin BeCool tap 170 mm, without pop-up waste	Rose Gold Brushed	5	35,3x23x7,4	1,4

Flow rate is given in l/min at a pressure of 0.3 MPa. Products are delivered within 14 days as standard.

# ravak® Water taps



Order No.	Type	Design	Flow rate	Size of packaging (cm)	Gross weight (kg)
<b>X070384</b>	EL 014.00CR Washbasin tap 220 mm, without pop-up waste	Chrome	5	41,3x23x7,4	1,8
<b>X070385</b>	EL 014.10WV Washbasin tap 220 mm, without pop-up waste	White Velvet	5	41,3x23x7,4	1,8
<b>X070387</b>	EL 014.20BLM Washbasin tap 220 mm, without pop-up waste	Black Matt	5	41,3x23x7,4	1,8
<b>X070386</b>	EL 014.20GB Washbasin tap 220 mm, without pop-up waste	Graphite Brushed	5	41,3x23x7,4	1,8
<b>X070388</b>	EL 014.60RGB Washbasin tap 220 mm, without pop-up waste	Rose Gold Brushed	5	41,3x23x7,4	1,8



Order No.	Type	Design	Flow rate	Size of packaging (cm)	Gross weight (kg)
<b>X070414</b>	EL 014.01CR Washbasin BeCool tap 220 mm, without pop-up waste	Chrome	5	41,3x23x7,4	1,8
<b>X070415</b>	EL 014.11WV Washbasin BeCool tap 220 mm, without pop-up waste	White Velvet	5	41,3x23x7,4	1,8
<b>X070417</b>	EL 014.21BLM Washbasin BeCool tap 220 mm, without pop-up waste	Black Matt	5	41,3x23x7,4	1,8
<b>X070416</b>	EL 014.21GB Washbasin BeCool tap 220 mm, without pop-up waste	Graphite Brushed	5	41,3x23x7,4	1,8
<b>X070418</b>	EL 014.61RGB Washbasin BeCool tap 220 mm, without pop-up waste	Rose Gold Brushed	5	41,3x23x7,4	1,8

Flow rate is given in l/min at a pressure of 0.3 MPa. Products are delivered within 14 days as standard.

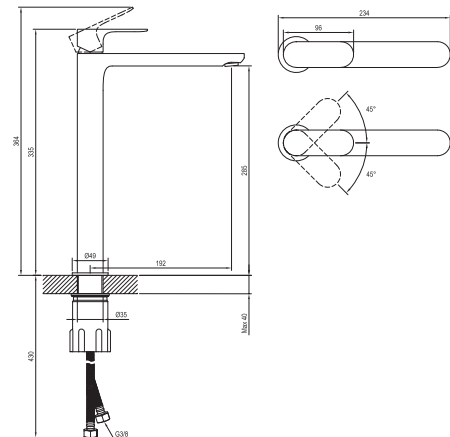
5

5-YEAR  
WARRANTY  
ON TAPS

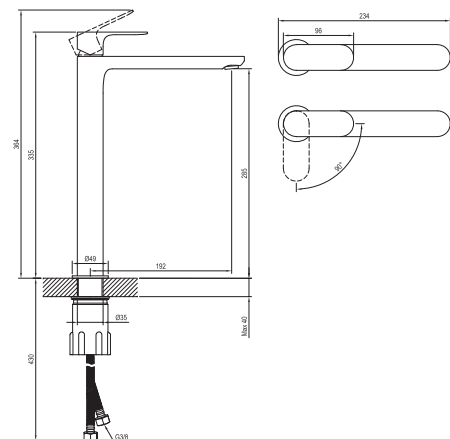


SOFT MOVE

# Eleganta



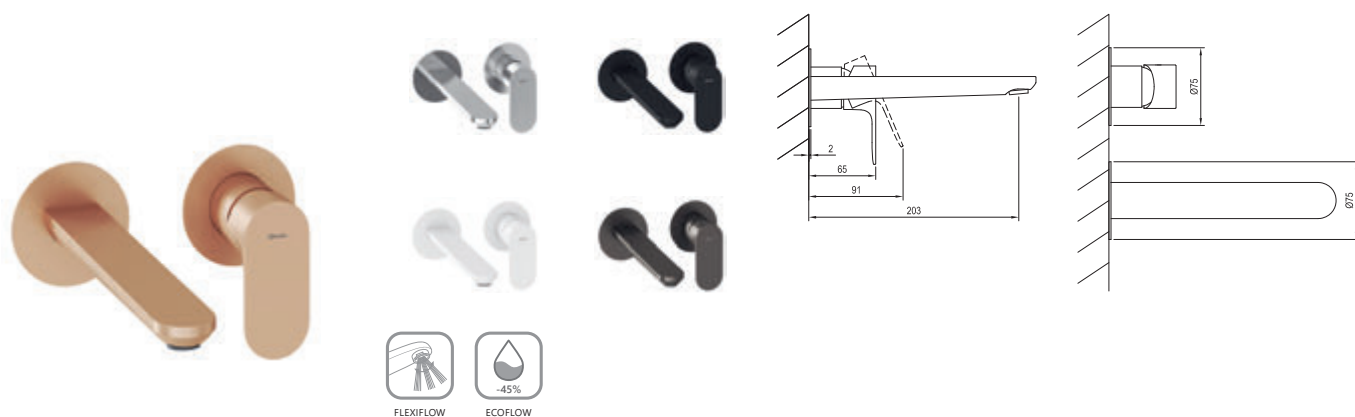
Order No.	Type	Design	Flow rate	Size of packaging (cm)	Gross weight (kg)
<b>X070211</b>	EL 015.00CR Washbasin tap 335 mm, without pop-up waste	Chrome	5	41,3x23x7,4	2,2
<b>X070254</b>	EL 015.10WV Washbasin tap 335 mm, without pop-up waste	White Velvet	5	41,3x23x7,4	2,2
<b>X070291</b>	EL 015.20BLM Washbasin tap 335 mm, without pop-up waste	Black Matt	5	41,3x23x7,4	2,2
<b>X070328</b>	EL 015.20GB Washbasin tap 335 mm, without pop-up waste	Graphite Brushed	5	41,3x23x7,4	2,2
<b>X070365</b>	EL 015.60RGB Washbasin tap 335 mm, without pop-up waste	Rose Gold Brushed	5	41,3x23x7,4	2,2



Order No.	Type	Design	Flow rate	Size of packaging (cm)	Gross weight (kg)
<b>X070419</b>	EL 015.01CR Washbasin BeCool tap 335 mm, without pop-up waste	Chrome	5	41,3x23x7,4	2,2
<b>X070420</b>	EL 015.11WV Washbasin BeCool tap 335 mm, without pop-up waste	White Velvet	5	41,3x23x7,4	2,2
<b>X070421</b>	EL 015.21BLM Washbasin BeCool tap 335 mm, without pop-up waste	Black Matt	5	41,3x23x7,4	2,2
<b>X070422</b>	EL 015.21GB Washbasin BeCool tap 335 mm, without pop-up waste	Graphite Brushed	5	41,3x23x7,4	2,2
<b>X070423</b>	EL 015.61RGB Washbasin BeCool tap 335 mm, without pop-up waste	Rose Gold Brushed	5	41,3x23x7,4	2,2

Flow rate is given in l/min at a pressure of 0.3 MPa. Products are delivered within 14 days as standard.

# ravak® Water taps



Order No.	Type	Design	Flow rate	Size of packaging (cm)	Gross weight (kg)
<b>X070212</b>	EL 019.00CR.O1.RB07B Concealed washbasin tap without basic unit	Chrome	5	32x22,5x8	1,7
<b>X070255</b>	EL 019.10WV.O1.RB07B Concealed washbasin tap without basic unit	White Velvet	5	32x22,5x8	1,7
<b>X070292</b>	EL 019.20BLM.O1.RB07B Concealed washbasin tap without basic unit	Black Matt	5	32x22,5x8	1,7
<b>X070329</b>	EL 019.20GB.O1.RB07B Concealed washbasin tap without basic unit	Graphite Brushed	5	32x22,5x8	1,7
<b>X070366</b>	EL 019.60RGB.O1.RB07B Concealed washbasin tap without basic unit	Rose Gold Brushed	5	32x22,5x8	1,7
<b>X070231</b>	RB 07B.50 R-box Basin, basic unit for concealed washbasin taps	-	-	25,7x11x11,5	1,2



Order No.	Type	Design	Flow rate	Size of packaging (cm)	Gross weight (kg)
<b>X07P802</b>	EL 027.00CR Bath spout	Chrome	-	26x15x7	1,3
<b>X07P803</b>	EL 027.10WV Bath spout	White Velvet	-	26x15x7	1,3
<b>X07P804</b>	EL 027.20BLM Bath spout	Black Matt	-	26x15x7	1,3
<b>X07P805</b>	EL 027.20GB Bath spout	Graphite Brushed	-	26x15x7	1,3
<b>X07P806</b>	EL 027.60RGB Bath spout	Rose Gold Brushed	-	26x15x7	1,3

Flow rate is given in l/min at a pressure of 0.3 MPa. Products are delivered within 14 days as standard.

5

5-YEAR  
WARRANTY  
ON TAPS

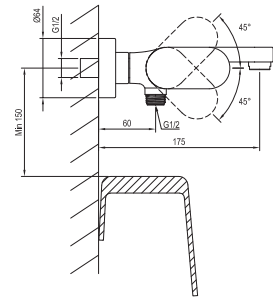
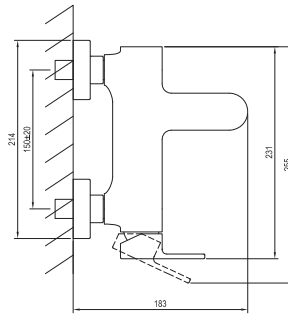


SOFT MOVE

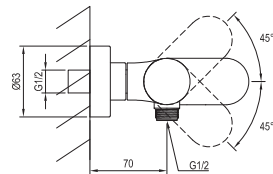
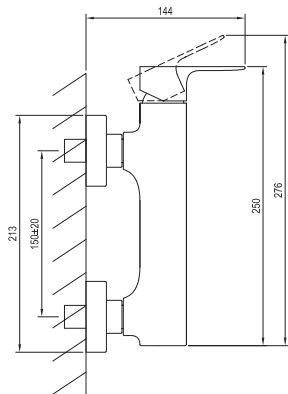
# Eleganta



ECOFLOW

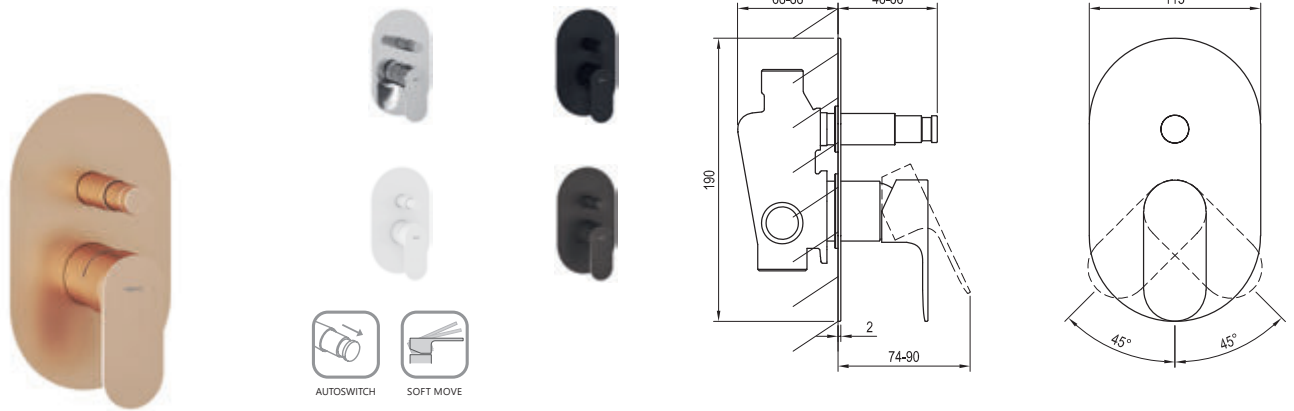


Order No.	Type	Design	Flow rate	Size of packaging (cm)	Gross weight (kg)
<b>X070213</b>	EL 022.00CR Wall-mounted bathtub tap without shower set	Chrome	13/22	27x24,4x7	2,6
<b>X070256</b>	EL 022.10WV Wall-mounted bathtub tap without shower set	White Velvet	13/22	27x24,4x7	2,6
<b>X070293</b>	EL 022.20BLM Wall-mounted bathtub tap without shower set	Black Matt	13/22	27x24,4x7	2,6
<b>X070330</b>	EL 022.20GB Wall-mounted bathtub tap without shower set	Graphite Brushed	13/22	27x24,4x7	2,6
<b>X070367</b>	EL 022.60RGB Wall-mounted bathtub tap without shower set	Rose Gold Brushed	13/22	27x24,4x7	2,6

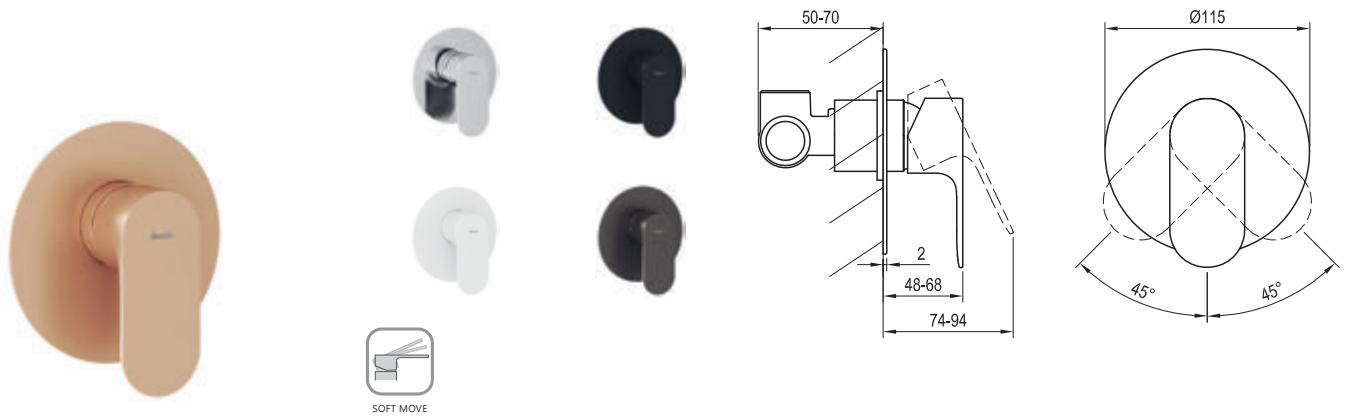


Order No.	Type	Design	Flow rate	Size of packaging (cm)	Gross weight (kg)
<b>X070214</b>	EL 032.00CR Wall-mounted shower tap without shower set	Chrome	25	27x24,4x7	2,0
<b>X070257</b>	EL 032.10WV Wall-mounted shower tap without shower set	White Velvet	25	27x24,4x7	2,0
<b>X070294</b>	EL 032.20BLM Wall-mounted shower tap without shower set	Black Matt	25	27x24,4x7	2,0
<b>X070331</b>	EL 032.20GB Wall-mounted shower tap without shower set	Graphite Brushed	25	27x24,4x7	2,0
<b>X070368</b>	EL 032.60RGB Wall-mounted shower tap without shower set	Rose Gold Brushed	25	27x24,4x7	2,0

Flow rate values EL 022.XX: bathtub/hand shower  
Flow rate is given in l/min at a pressure of 0.3 MPa. Products are delivered within 14 days as standard.



Order No.	Type	Design	Flow rate	Size of packaging (cm)	Gross weight (kg)
<b>X070218</b>	EL 061.00CR.O2 2-way concealed tap with basic unit	Chrome	18/21	19,6x14,2x8,2	1,5
<b>X070261</b>	EL 061.10WV.O2 2-way concealed tap with basic unit	White Velvet	18/21	19,6x14,2x8,2	1,5
<b>X070298</b>	EL 061.20BLM.O2 2-way concealed tap with basic unit	Black Matt	18/21	19,6x14,2x8,2	1,5
<b>X070335</b>	EL 061.20GB.O2 2-way concealed tap with basic unit	Graphite Brushed	18/21	19,6x14,2x8,2	1,5
<b>X070372</b>	EL 061.60RGB.O2 2-way concealed tap with basic unit	Rose Gold Brushed	18/21	19,6x14,2x8,2	1,5



Order No.	Type	Design	Flow rate	Size of packaging (cm)	Gross weight (kg)
<b>X070219</b>	EL 062.00CR.O1 1-way concealed tap with basic unit	Chrome	25	19,6x14,2x8,2	0,8
<b>X070262</b>	EL 062.10WV.O1 1-way concealed tap with basic unit	White Velvet	25	19,6x14,2x8,2	0,8
<b>X070299</b>	EL 062.20BLM.O1 1-way concealed tap with basic unit	Black Matt	25	19,6x14,2x8,2	0,8
<b>X070336</b>	EL 062.20GB.O1 1-way concealed tap with basic unit	Graphite Brushed	25	19,6x14,2x8,2	0,8
<b>X070373</b>	EL 062.60RGB.O1 1-way concealed tap with basic unit	Rose Gold Brushed	25	19,6x14,2x8,2	0,8

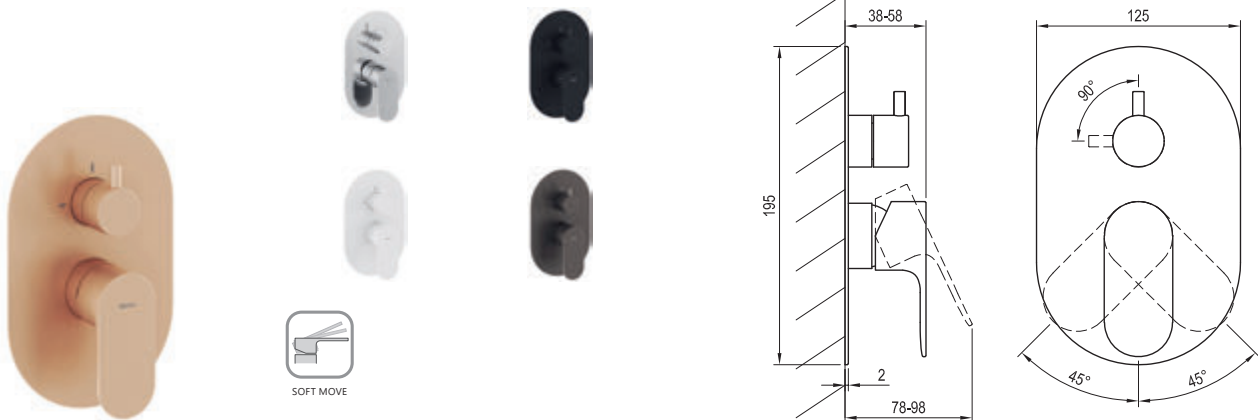
Flow rate values EL 061.XX.O2: outlet 1/outlet 2  
Flow rate is given in l/min at a pressure of 0.3 MPa. Products are delivered within 14 days as standard.



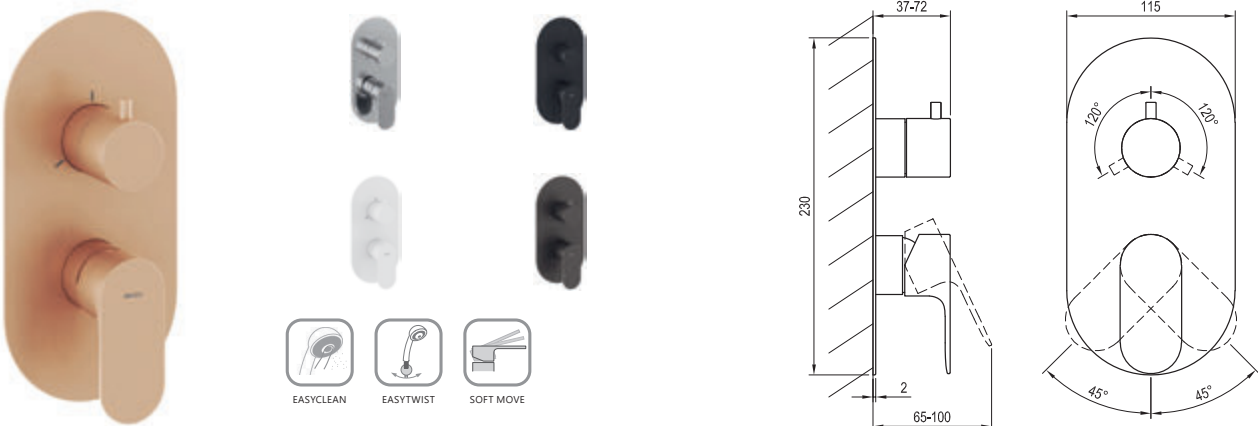
5-YEAR  
WARRANTY  
ON TAPS



SOFT MOVE



Order No.	Type	Design	Flow rate	Size of packaging (cm)	Gross weight (kg)
<b>X070221</b>	EL 065.00CR.O2.RB07E 2-way concealed tap without basic unit	Chrome	12/12	26x15x8	0,9
<b>X070264</b>	EL 065.10WV.O2.RB07E 2-way concealed tap without basic unit	White Velvet	12/12	26x15x8	0,9
<b>X070301</b>	EL 065.20BLM.O2.RB07E 2-way concealed tap without basic unit	Black Matt	12/12	26x15x8	0,9
<b>X070338</b>	EL 065.20GB.O2.RB07E 2-way concealed tap without basic unit	Graphite Brushed	12/12	26x15x8	0,9
<b>X070375</b>	EL 065.60RGB.O2.RB07E 2-way concealed tap without basic unit	Rose Gold Brushed	12/12	26x15x8	0,9
<b>X070234</b>	RB 07E.50 R-box Vertical O1/O2, basic unit for concealed taps	-		14,2x14x11,7	1,4

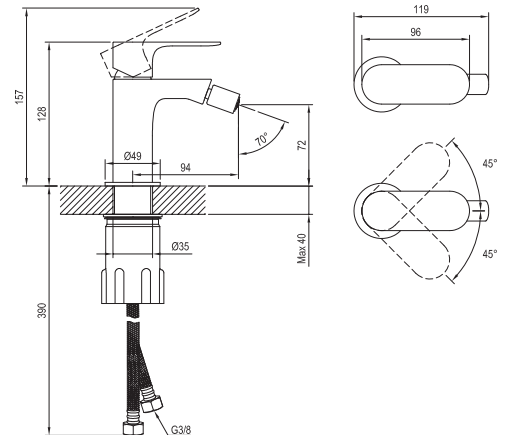


Order No.	Type	Design	Flow rate	Size of packaging (cm)	Gross weight (kg)
<b>X070217</b>	EL 068.00CR.O3.RB07F 3-way concealed tap without basic unit	Chrome	22/22/22	26x15x7,5	1,1
<b>X070260</b>	EL 068.10WV.O3.RB07F 3-way concealed tap without basic unit	White Velvet	22/22/22	26x15x7,5	1,1
<b>X070297</b>	EL 068.20BLM.O3.RB07F 3-way concealed tap without basic unit	Black Matt	22/22/22	26x15x7,5	1,1
<b>X070334</b>	EL 068.20GB.O3.RB07F 3-way concealed tap without basic unit	Graphite Brushed	22/22/22	26x15x7,5	1,1
<b>X070371</b>	EL 068.60RGB.O3.RB07F 3-way concealed tap without basic unit	Rose Gold Brushed	22/22/22	26x15x7,5	1,1
<b>X070235</b>	RB 07F.50 R-box Vertical O2/O3, basic unit for concealed taps	-		15,7x17x15,7	2,8

Flow rate values EL 065.XX.O2.RB07E: outlet 1/outlet 2

Flow rate values EL 068.XX.O3.RB07F outlet 1/outlet 2/outlet 3

Flow rate is given in l/min at a pressure of 0.3 MPa. Products are delivered within 14 days as standard.



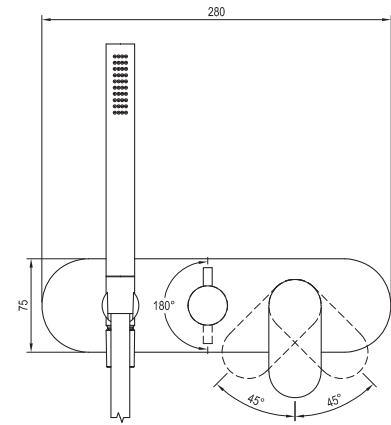
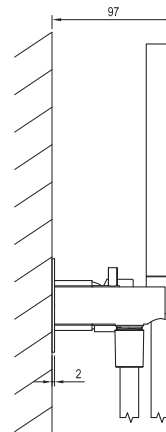
Order No.	Type	Design	Flow rate	Size of packaging (cm)	Gross weight (kg)
<b>X070215</b>	EL 056.00CR Bidet tap 130 mm, without pop-up waste	Chrome	5	35,3x23x7,4	1,1
<b>X070258</b>	EL 056.10WV Bidet tap 130 mm, without pop-up waste	White Velvet	5	35,3x23x7,4	1,1
<b>X070295</b>	EL 056.20BLM Bidet tap 130 mm, without pop-up waste	Black Matt	5	35,3x23x7,4	1,1
<b>X070332</b>	EL 056.20GB Bidet tap 130 mm, without pop-up waste	Graphite Brushed	5	35,3x23x7,4	1,1
<b>X070369</b>	EL 056.60RGB Bidet tap 130 mm, without pop-up waste	Rose Gold Brushed	5	35,3x23x7,4	1,1



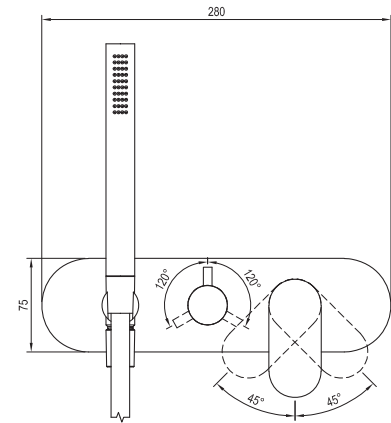
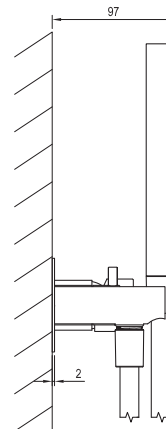
5-YEAR  
WARRANTY  
ON TAPS



SOFT MOVE



Order No.	Type	Design	Flow rate	Size of packaging (cm)	Gross weight (kg)
<b>X070220</b>	EL 065.00CR.O2.RB07D.+S 2-way concealed tap without basic unit, with shower set	Chrome	10/18	32x22,5x8	1,7
<b>X070263</b>	EL 065.10WV.O2.RB07D.+S 2-way concealed tap without basic unit, with shower set	White Velvet	10/18	32x22,5x8	1,7
<b>X070300</b>	EL 065.20BLM.O2.RB07D.+S 2-way concealed tap without basic unit, with shower set	Black Matt	10/18	32x22,5x8	1,7
<b>X070337</b>	EL 065.20GB.O2.RB07D.+S 2-way concealed tap without basic unit, with shower set	Graphite Brushed	10/18	32x22,5x8	1,7
<b>X070374</b>	EL 065.60RGB.O2.RB07D.+S 2-way concealed tap without basic unit, with shower set	Rose Gold Brushed	10/18	32x22,5x8	1,7
<b>X070233</b>	RB 07D.50 R-box Horizontal, basic unit for concealed taps	-		25,7x11x11,5	1,9



Order No.	Type	Design	Flow rate	Size of packaging (cm)	Gross weight (kg)
<b>X070216</b>	EL 068.00CR.O3.RB07D.+S 3-way concealed tap without basic unit, with shower set	Chrome	10/17/18	32x22,5x8	1,7
<b>X070259</b>	EL 068.10WV.O3.RB07D.+S 3-way concealed tap without basic unit, with shower set	White Velvet	10/17/18	32x22,5x8	1,7
<b>X070296</b>	EL 068.20BLM.O3.RB07D.+S 3-way concealed tap without basic unit, with shower set	Black Matt	10/17/18	32x22,5x8	1,7
<b>X070333</b>	EL 068.20GB.O3.RB07D.+S 3-way concealed tap without basic unit, with shower set	Graphite Brushed	10/17/18	32x22,5x8	1,7
<b>X070370</b>	EL 068.60RGB.O3.RB07D.+S 3-way concealed tap without basic unit, with shower set	Rose Gold Brushed	10/17/18	32x22,5x8	1,7
<b>X070233</b>	RB 07D.50 R-box Horizontal, basic unit for concealed taps	-		25,7x11x11,5	1,9

Flow rate values ES 065.XX.O2.RB07D.+S: outlet 1/outlet 2

Flow rate values EL 068.XX.O3.RB07D.+S: hand shower/outlet 2/outlet 3

Flow rate is given in l/min at a pressure of 0.3 MPa. Products are delivered within 14 days as standard.

# Puri



Perfectly complements countertop washbasins



Unique control system



Favourite among experts

## Minimalism with maximum effect

The simple shapes of Puri taps make a clear statement, creating a style free of all non-essentials. Unique technical solution for bathtub taps.

### Don't miss it

1. Taps from the Puri range feature an adjustable aerator that allows the water stream to be directed as needed.
2. PU 022.00 CR / PU 022.20 BL and PU 026.XX bathtub taps feature a special rotary cartridge for switching between bath and shower. Moving the lever to the right or left regulates only the water temperature, not the flow.
3. The temperature control on the left of PU 032 and PU 033 shower taps prevents excessive heating of the tap's surface (CoolFeel). PU 033 has a thermostatic cartridge for regulating water temperature.
4. PU 015 and PU 016 washbasin taps have 450 mm long connecting hoses with G3/8 thread. Simple and quick installation using EasyFix.
5. PU 026 three-hole tap for bathtub edge mounting with a 175 cm long shower hose and EasyTwist function – allows the shower head to rotate freely.

Shower accessories → 650

Waste traps / Waste plugs → 452

Extras → 672

Washbasins → 388

Detergents → 693



5-YEAR WARRANTY ON TAPS



SOFT MOVE



RAVAK CLEANER CHROME

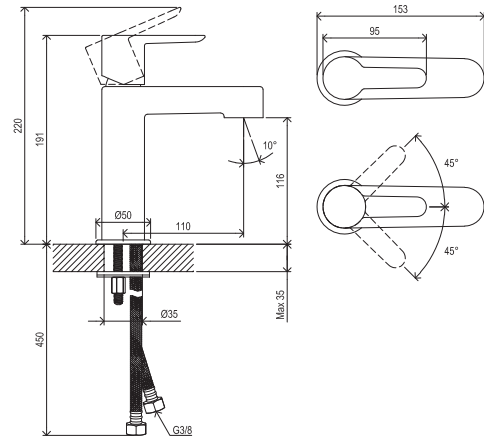
# Puri



FLEXIFLOW



EASYSOFT



Order No.	Type	Design	Flow rate	Size of packaging (cm)	Gross weight (kg)
<b>X070113</b>	PU 014.00CR Washbasin tap 191 mm, without pop-up waste	chrome	12	28x20x7,5	1,6
<b>X070181</b>	PU 014.20BLM Washbasin tap 191 mm, without pop-up waste	matt black	12	28x20x7,5	1,6



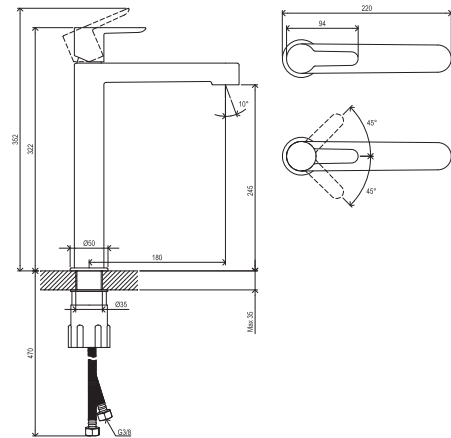
FLEXIFLOW



EASYSOFT



EASYFIX



Order No.	Type	Design	Flow rate	Size of packaging (cm)	Gross weight (kg)
<b>X070114</b>	PU 015.00CR Washbasin tap 322 mm, without pop-up waste	chrome	12	46x22,5x7	2,3
<b>X070182</b>	PU 015.20BLM Washbasin tap 322 mm, without pop-up waste	matt black	12	46x22,5x7	2,3



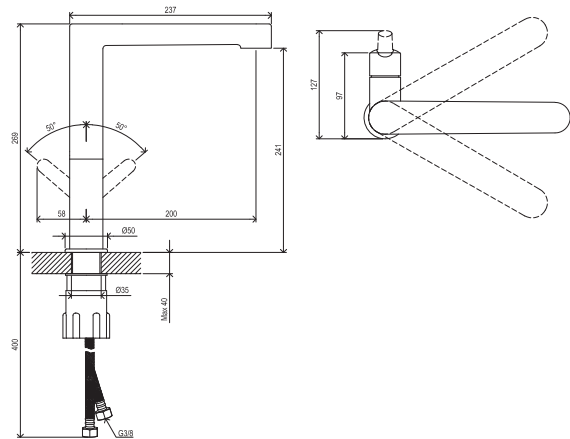
FLEXIFLOW



EASYSOFT



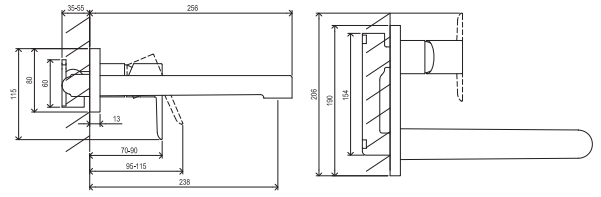
EASYFIX



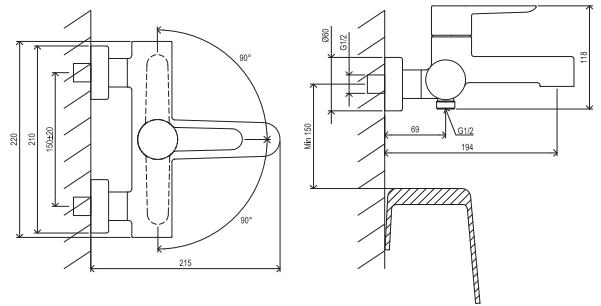
Order No.	Type	Design	Flow rate	Size of packaging (cm)	Gross weight (kg)
<b>X070143</b>	PU 016.00CR Washbasin tap 269 mm, with swivel spout, without pop-up waste	chrome	12	36x28,5x6,5	2,6
<b>X070183</b>	PU 016.20BLM Washbasin tap 269 mm, with swivel spout, without pop-up waste	matt black	12	36x28,5x6,5	2,5

Flow rate is given in l/min at a pressure of 0.3 MPa. Products are delivered within 14 days as standard.

# ravak® Water taps



Order No.	Type	Design	Flow rate	Size of packaging (cm)	Gross weight (kg)
<b>X070146</b>	PU 019.00CR.O1 Concealed washbasin tap with basic unit	chrome	15	28x18x7,5	2,2
<b>X070184</b>	PU 019.20BLM.O1 Concealed washbasin tap with basic unit	matt black	15	28x18x7,5	2,3



Order No.	Type	Design	Flow rate	Size of packaging (cm)	Gross weight (kg)
<b>X070115</b>	PU 022.00CR Wall-mounted bathtub tap without shower set	chrome	19/11	22,5x16,5x18,5	2,5
<b>X070185</b>	PU 022.20BLM Wall-mounted bathtub tap without shower set	matt black	19/11	22,5x16,5x18,5	2,6

Flow rate values: PU 022 bathtub/hand shower  
Flow rate is given in l/min at a pressure of 0.3 MPa. Products are delivered within 14 days as standard.



5-YEAR WARRANTY ON TAPS



SOFT MOVE



RAVAK CLEANER CHROME

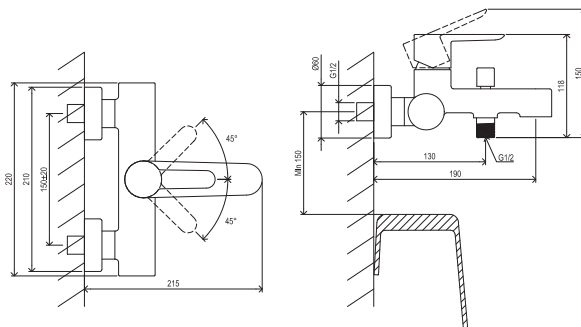
# Puri



FLEXIFLOW



EASYSOFT



Order No.	Type	Design	Flow rate	Size of packaging (cm)	Gross weight (kg)
<b>X070169</b>	PU 022.01CR Wall-mounted bathtub tap with diverter, without shower set	chrome	19/19	22,5x16,5x18,5	2,5
<b>X070192</b>	PU 022.21BLM Wall-mounted bathtub tap with diverter, without shower set	matt black	19/19	22,5x16,5x18,5	2,5



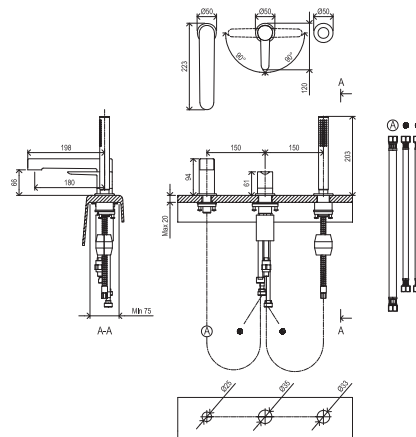
FLEXIFLOW



EASYTWIN

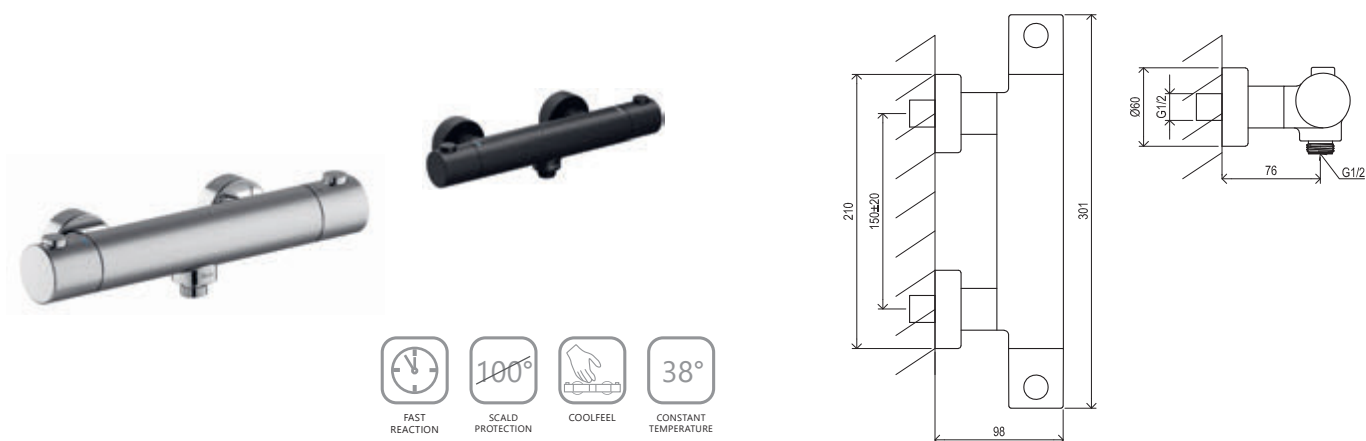


EASYSOFT

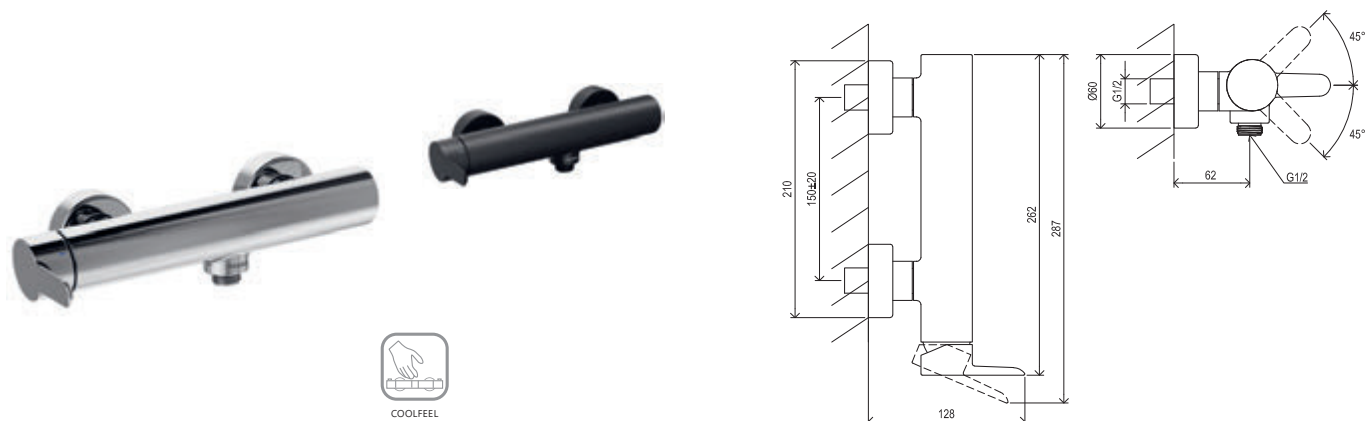


Order No.	Type	Design	Flow rate	Size of packaging (cm)	Gross weight (kg)
<b>X070142</b>	PU 026.00CR 3-hole deck-mounted bathtub tap with shower set	chrome	21/9	48,5x31x7,5	4,0
<b>X070186</b>	PU 026.20BLM 3-hole deck-mounted bathtub tap with shower set	matt black	21/9	48,5x31x7,5	2,2

Flow rate values: PU 022 bathtub/hand shower Flow rate values: PU 026 bathtub/hand shower  
Flow rate is given in l/min at a pressure of 0.3 MPa. Products are delivered within 14 days as standard.



Order No.	Type	Design	Flow rate	Size of packaging (cm)	Gross weight (kg)
<b>X070116</b>	PU 033.00CR Thermostatic wall-mounted shower tap without shower set	chrome	22	28x22x7,5	2,3
<b>X070188</b>	PU 033.20BLM Thermostatic wall-mounted shower tap without shower set	matt black	22	28x22x7,5	1,9



Order No.	Type	Design	Flow rate	Size of packaging (cm)	Gross weight (kg)
<b>X070145</b>	PU 032.00CR Wall-mounted shower tap without shower set	chrome	23	28x22x7,5	1,9
<b>X070187</b>	PU 032.20BLM Wall-mounted shower tap without shower set	matt black	23	28x22x7,5	4,0



5-YEAR WARRANTY ON TAPS



SOFT MOVE

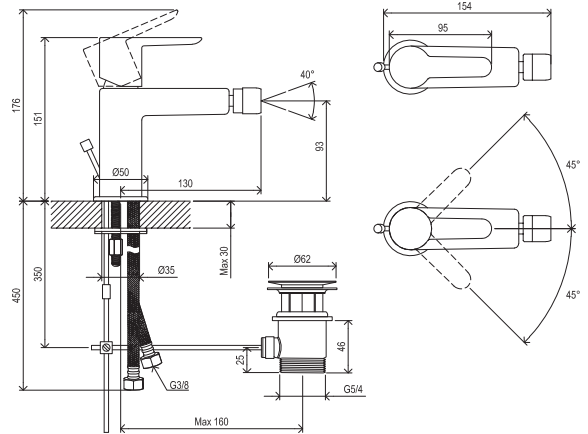


RAVAK CLEANER CHROME

# Puri

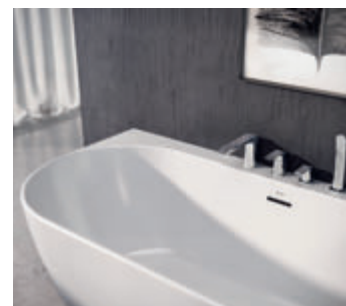


EASYCLEAN



Order No.	Type	Design	Flow rate	Size of packaging (cm)	Gross weight (kg)
<b>X070144</b>	PU 055.00CR Bidet tap 151 mm, with pop-up waste	chrome	12	28x20x7,5	1,8
<b>X070189</b>	PU 055.20BLM Bidet tap 151 mm, with ClickClack waste	mat black	12	28x20x7,5	1,8

# Flat



Nine tap models including a deck-mounted bathtub tap



Design in tune with water



Practical benefit of unrestricted spout rotation

## Harmony of elegant lines

The shape of Flat taps embodies the perfect combination of flat surfaces and delicately curved contours.

### Don't miss it

1. Flat deck-mounted washbasin taps are available with or without pop-up waste. The washbasin/sink tap is suitable for deeper washbasins and kitchen sinks.
2. Washbasin and bidet taps with 450 mm long flexible connecting hoses and a G3/8 thread.
3. FL 013, 055 with pop-up waste and waste set.
4. Flat bathtub taps are available in two versions – for wall mounting or as a four-element deck-mounted tap designed for installation on the edge of the bathtub.
5. Flat concealed taps must be mounted into the wall using the R-box Vari RB 072 installation system.

Shower accessories → 650

Extras → 672

R-box → 640

Waste traps / Waste plugs → 452

Detergents → 693

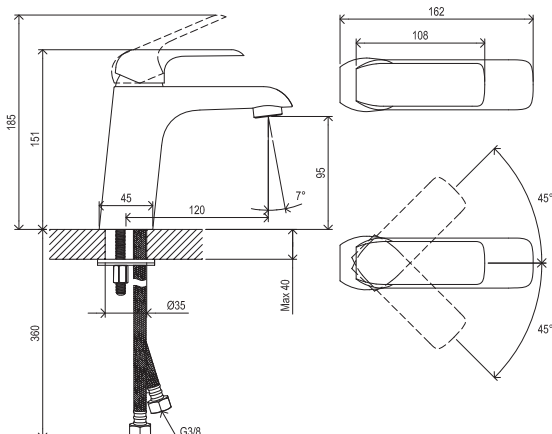
5

5-YEAR WARRANTY ON TAPS

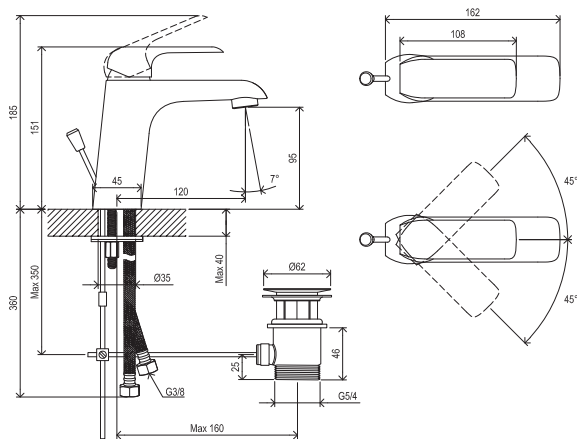


RAVAK CLEANER CHROME

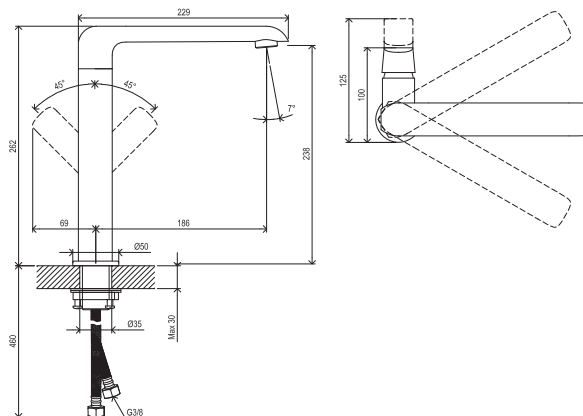
# Flat



Order No.	Type	Design	Flow rate	Size of packaging (cm)	Gross weight (kg)
<b>X070118</b>	FL 014.00CR Washbasin tap 151 mm, without pop-up waste	chrome	12	28x20x7,5	1,5
<b>X070173</b>	FL 014.20BLM Washbasin tap 151 mm, without pop-up waste	matt black	12	28x20x7,5	1,5

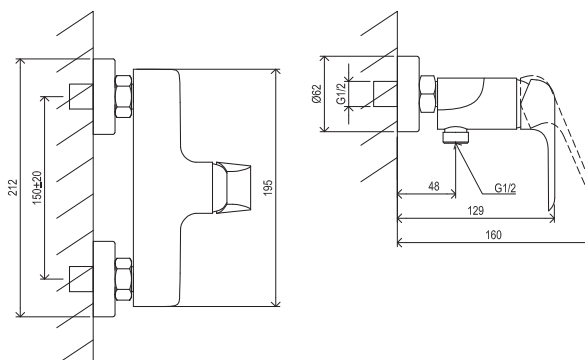


Order No.	Type	Design	Flow rate	Size of packaging (cm)	Gross weight (kg)
<b>X070117</b>	FL 013.00CR Washbasin tap 151 mm, with pop-up waste *	chrome	12	28x20x7,5	1,9
<b>X070172</b>	FL 013.20BLM Washbasin tap 151 mm, with ClickClack waste *	matt black	12	28x20x7,5	1,9

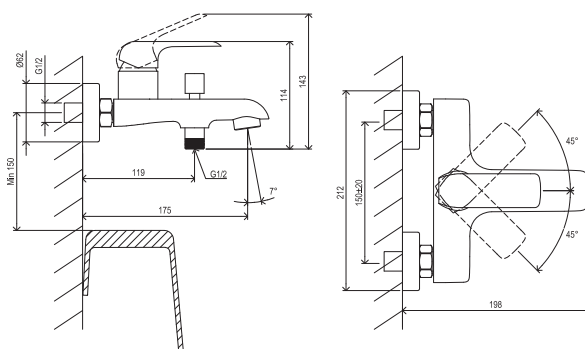


Order No.	Type	Design	Flow rate	Size of packaging (cm)	Gross weight (kg)
<b>X070125</b>	FL 016.00CR Washbasin tap 262 mm, with swivel spout, without pop-up waste	chrome	13	36x28,5x6,5	2,4
<b>X070174</b>	FL 016.20BLM Washbasin tap 262 mm, with swivel spout, without pop-up waste	matt black	13	36x28,5x6,5	2,4

\*) Valid while stocks last.  
Flow rate is given in l/min at a pressure of 0.3 MPa. Products are delivered within 14 days as standard.



Order No.	Type	Design	Flow rate	Size of packaging (cm)	Gross weight (kg)
<b>X070121</b>	FL 032.00CR Wall-mounted shower tap without shower set	chrome	22	22,5x16,5x16	1,5
<b>X070177</b>	FL 032.20BLM Wall-mounted shower tap without shower set	matt black	22	22,5x16,5x16	1,5

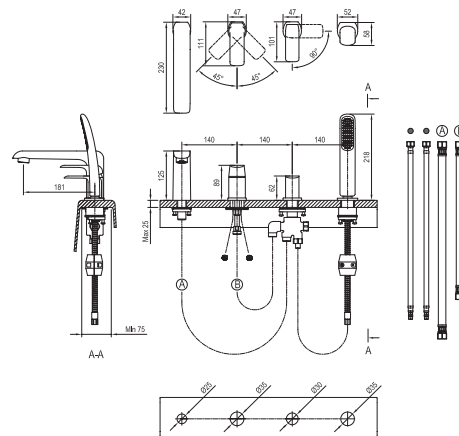


Order No.	Type	Design	Flow rate	Size of packaging (cm)	Gross weight (kg)
<b>X070119</b>	FL 022.00CR Wall-mounted bathtub tap without shower set	chrome	21/24	22,5x16,5x18,5	2,2
<b>X070175</b>	FL 022.20BLM Wall-mounted bathtub tap without shower set	matt black	21/24	22,5x16,5x18,5	2,2

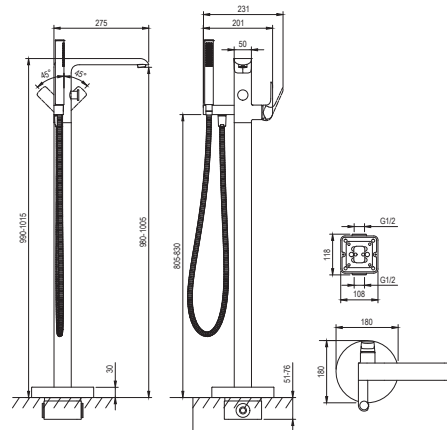
Flow rate values: FL 022 bathtub/hand shower  
Flow rate is given in l/min at a pressure of 0.3 MPa. Products are delivered within 14 days as standard.

**5**5-YEAR  
WARRANTY  
ON TAPSRAVAK  
CLEANER  
CHROME

# Flat



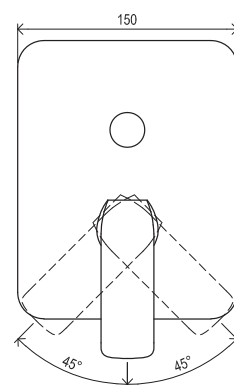
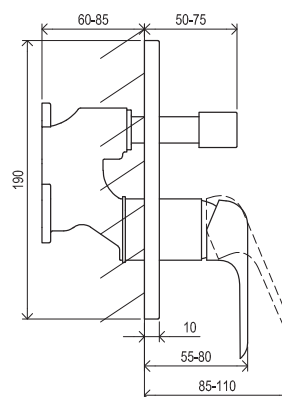
Order No.	Type	Design	Flow rate	Size of packaging (cm)	Gross weight (kg)
<b>X070120</b>	FL 026.00CR 4-hole deck-mounted bathtub tap with shower set	chrome	18/11	48,5x31x7,5	4,8
<b>X070176</b>	FL 026.20BLM 4-hole deck-mounted bathtub tap with shower set	matt black	18/11	48,5x31x7,5	4,8



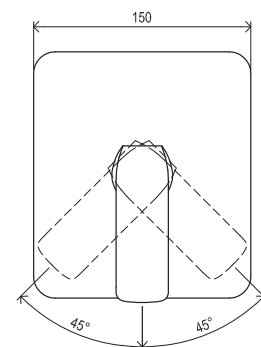
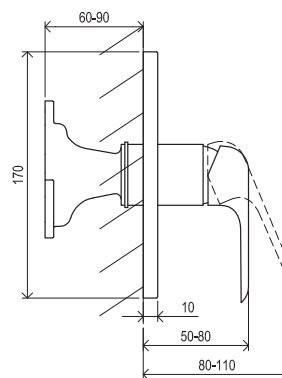
Order No.	Type	Design	Flow rate	Size of packaging (cm)	Gross weight (kg)
<b>X070440</b>	FL 080.00CR.RB07A Floor-mounted bathtub tap without basic unit, with shower set		18/13	90x42x24	8,4
<b>X070441</b>	FL 080.20BLM.RB07A Floor-mounted bathtub tap without basic unit, with shower set		18/13	90x49x24	8,4

Flow rate values: FL 026 bathtub/hand shower  
Flow rate is given in l/min at a pressure of 0.3 MPa. Products are delivered within 14 days as standard.

# ravak® Water taps



Order No.	Type	Design	Flow rate	Size of packaging (cm)	Gross weight (kg)
<b>X070123</b>	FL 065.00CR.O2.RB072 2-way concealed tap without basic unit	chrome	25/25	21,5x18,5x10	2,0
<b>X070179</b>	FL 065.20BLM.O2.RB072 2-way concealed tap without basic unit	matt black	25/25	21,5x18,5x10	2,0
<b>X070139</b>	RB 072.50 R-box Vari, basic unit for concealed taps	-		17,5x17,5x12,5	1,8



Order No.	Type	Design	Flow rate	Size of packaging (cm)	Gross weight (kg)
<b>X070124</b>	FL 066.00CR.O1.RB072 1-way concealed tap without basic unit	chrome	25	21,5x18,5x10	1,6
<b>X070180</b>	FL 066.20BLM.O1.RB072 1-way concealed tap without basic unit	matt black	25	21,5x18,5x10	1,7
<b>X070139</b>	RB 072.50 R-box Vari, basic unit for concealed taps	-		17,5x17,5x12,5	1,8

Flow rate values: FL 065 top/bottom outlet  
Flow rate is given in l/min at a pressure of 0.3 MPa. Products are delivered within 14 days as standard.

**5**5-YEAR  
WARRANTY  
ON TAPSRAVAK  
CLEANER  
CHROME**Flat****new****The concealed shower set includes:**

- FL 065.00CR.O2.RB072 2-way concealed tap without basic unit, chrome
- RB 072.50 R-box Vari, basic unit for concealed taps
- 983.00CR Overhead shower, 250x250 mm, chrome
- 702.00CR Wall shower arm, chrome
- 957.00CR Hand shower head, 1 function, chrome
- 706.00CR Concealed outlet with shower holder, chrome
- 913.00CR Shower hose 150 cm, chrome

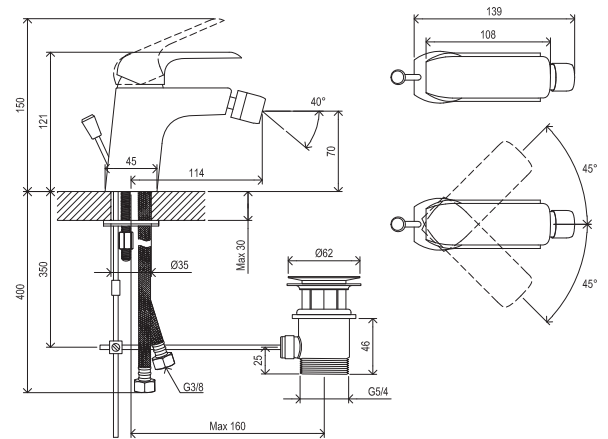
Order No.	Type	Design	Size of packaging (cm)	Gross weight (kg)
<b>X07S070</b>	FL 090.01CR Concealed shower set	chrome	40x30x21	6,1

**new****The concealed shower set includes:**

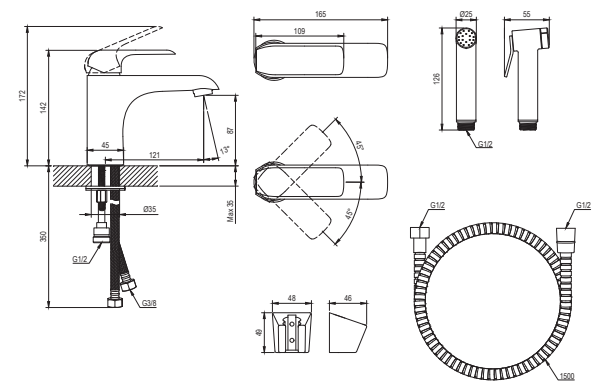
- FL 065.20BLM.O2.RB072 2-way concealed tap without basic unit, matt black
- RB 072.50 R-box Vari, basic unit for concealed taps
- 983.20BLM Overhead shower, 250x250 mm, matt black
- 702.20BLM Wall shower arm, matt black
- 957.20BLM Hand shower head, 1 function, matt black
- 706.20BLM Concealed outlet with shower holder, matt black
- 913.23BLM Shower hose 150 cm, matt black

Order No.	Type	Design	Size of packaging (cm)	Gross weight (kg)
<b>X07S071</b>	FL 090.21BLM Concealed shower set	black	40x30x21	6,1

# ravak® Water taps



Order No.	Type	Design	Flow rate	Size of packaging (cm)	Gross weight (kg)
<b>X070122</b>	FL 055.00CR Bidet tap 121 mm, with pop-up waste	chrome	12	28x20x7,5	1,7
<b>X070178</b>	FL 055.20BLM Bidet tap 121 mm, with ClickClack waste	matt black	12	28x20x7,5	1,7



Order No.	Type	Design	Flow rate	Size of packaging (cm)	Gross weight (kg)
<b>X070438</b>	FL 112.00CR Washbasin tap with bidet shower 150 mm, without pop-up waste	chrome	7/5	28x18x10	2,2
<b>X070439</b>	FL 112.20BLM Washbasin tap with bidet shower 150 mm, without pop-up waste	matt black	7/5	28x18x10	2,2

Flow rate is given in l/min at a pressure of 0.3 MPa. Products are delivered within 14 days as standard.

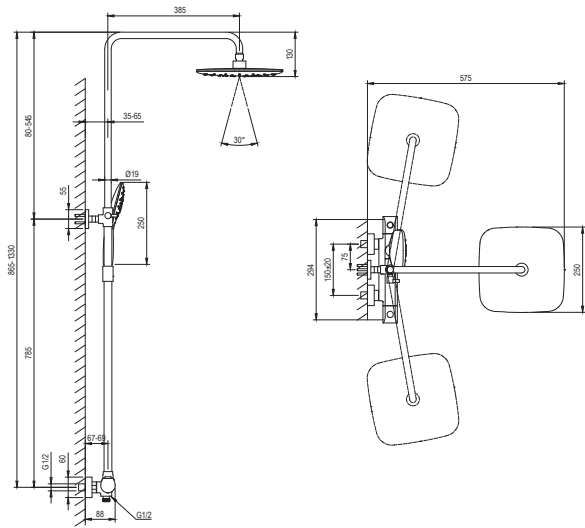
5

5-YEAR  
WARRANTY  
ON TAPS



RAVAK  
CLEANER  
CHROME

Flat



Order No.	Type	Design	Flow rate	Size of packaging (cm)	Gross weight (kg)
<b>X070442</b>	FL 091.00CR Thermostatic shower column, adjustable, with shower set		16/10	104x45x9,5	7,1
<b>X070443</b>	FL 091.20BLM Thermostatic shower column, adjustable, with shower set		16/10	104x45x9,5	7,1

Flow rate is given in l/min at a pressure of 0.3 MPa. Products are delivered within 14 days as standard.

**10°**



Washbasin taps in three heights



Adjustable aerator directs the water stream wherever you need



reddot design award  
winner 2015



DESIGN  
AWARD  
2016



ELLE  
DECOR  
DESIGN  
AWARD  
2016

Favourite among experts

## Meet you halfway

The taps feature a unique designer tilt of 10° towards the hand, making them comfortable to operate and perfectly suited to any basin shape.

### Don't miss it

1. Washbasin and bidet taps with 450 mm (TD 015 - 400 mm) long flexible connecting hoses and a G3/8 thread.
2. TD 055 with pop-up waste and waste set.
3. The 10° wall-mounted bathtub tap features a lock-on bathtub/shower diverter.
4. 10° concealed taps in two designs - TD 061/ 062 for direct embedding into a wall, TD 065/066 for use with R-box RB 070.
5. TD 033 has a thermostatic cartridge for regulating water temperature. The control on the left prevents the tap's surface from overheating (CoolFeel).

Shower accessories  
→ 650

Extras  
→ 672

R-box  
→ 640

Waste traps / Waste plugs  
→ 452

Concepts  
→ 693

**5**5-YEAR  
WARRANTY  
ON TAPS

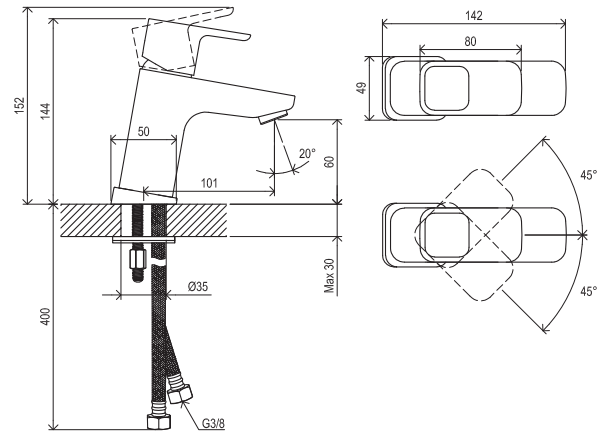
SOFT MOVE

RAVAK  
CLEANER  
CHROME**10°**

EASYCLEAN



FLEXIFLOW



Order No.	Type	Design	Flow rate	Size of packaging (cm)	Gross weight (kg)
<b>X070064</b>	TD 012.00CR Washbasin tap 144 mm, without pop-up waste *	chrome	5	28x18x7,5	1,5

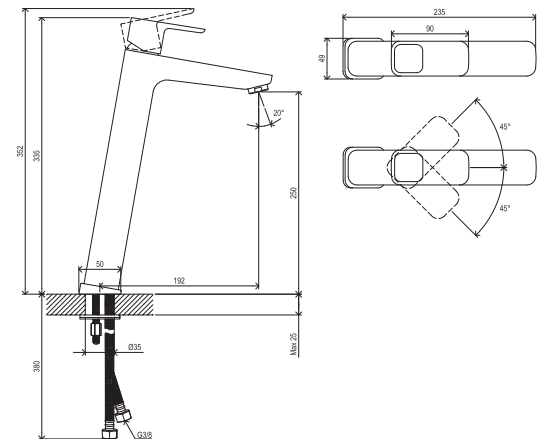
\*) Offer valid while stocks last.



EASYCLEAN



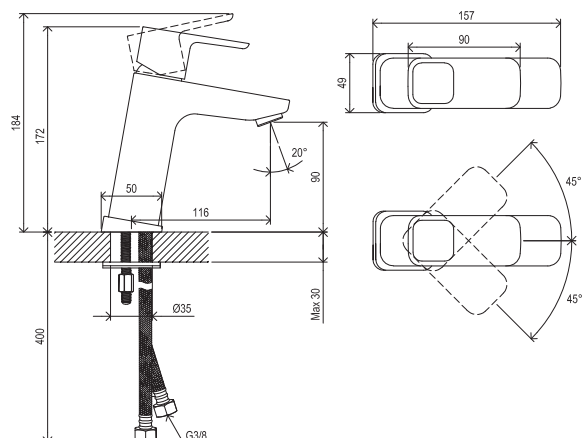
FLEXIFLOW



Order No.	Type	Design	Flow rate	Size of packaging (cm)	Gross weight (kg)
<b>X070091</b>	TD 015.00CR Washbasin tap 334 mm, without pop-up waste	chrome	5	37x22x7,5	2,6

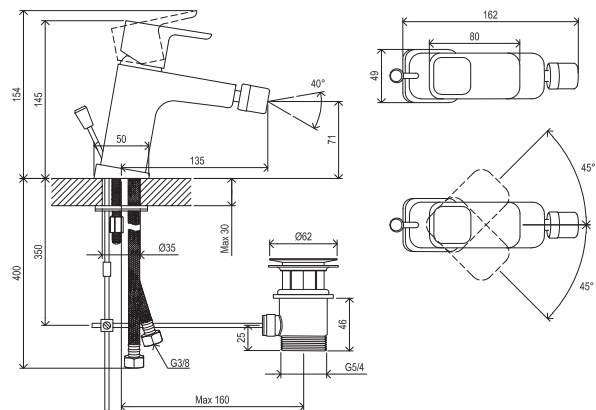
\*) Offer valid while stocks last.

# ravak® Water taps



Order No.	Type	Design	Flow rate	Size of packaging (cm)	Gross weight (kg)
<b>X070062</b>	TD 014.00CR Washbasin tap 172 mm, without pop-up waste *	chrome	5	28x18x7,5	1,7

\*) Offer valid while stocks last.



Order No.	Type	Design	Flow rate	Size of packaging (cm)	Gross weight (kg)
<b>X070067</b>	TD 055.00CR Bidet tap 145 mm, with pop-up waste *	chrome	14	28x18x7,5	1,9

\*) Offer valid while stocks last.



5-YEAR WARRANTY ON TAPS



SOFT MOVE



RAVAK CLEANER CHROME

10°



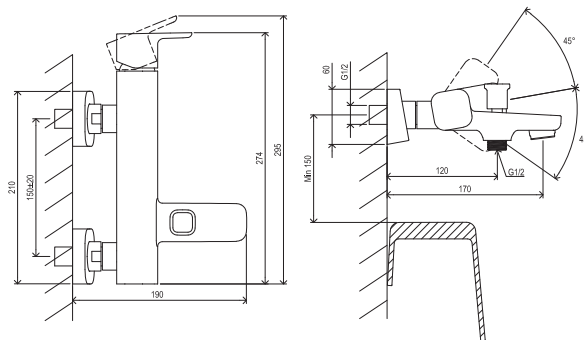
FLEXIFLOW



DIVERTER LOCKING

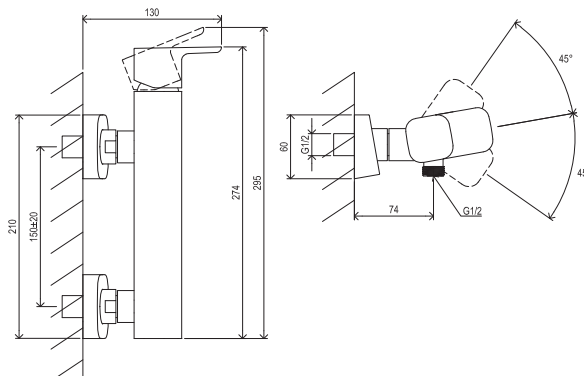


EASYCLEAN



Order No.	Type	Design	Flow rate	Size of packaging (cm)	Gross weight (kg)
<b>X070065</b>	TD 022.00CR Wall-mounted bathtub tap without shower set *	chrome	19/21	30,5x19x9,5	2,9

\*) Offer valid while stocks last.



Order No.	Type	Design	Flow rate	Size of packaging (cm)	Gross weight (kg)
<b>X070066</b>	TD 032.00CR Wall-mounted shower tap without shower set *	chrome	21	28x22x7,5	2,3

\*) Offer valid while stocks last.



CONSTANT TEMPERATURE



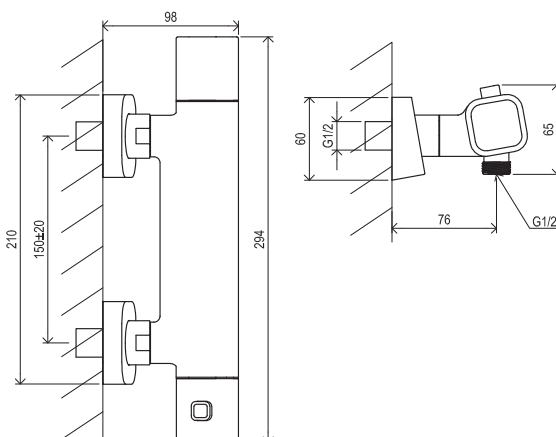
FAST REACTION



COOLFEEL



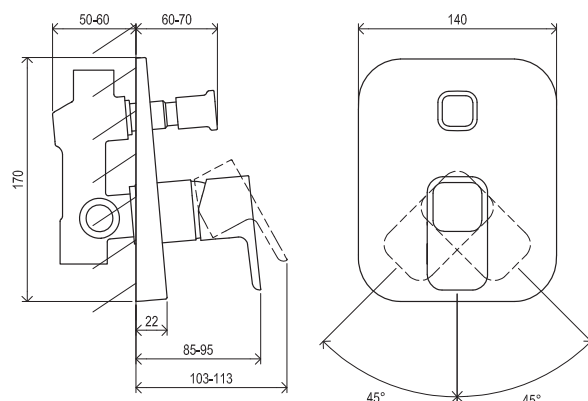
SCALD PROTECTION



Order No.	Type	Design	Flow rate	Size of packaging (cm)	Gross weight (kg)
<b>X070102</b>	TD 033.00CR Thermostatic wall-mounted shower tap without shower set *	chrome	22	34x18x6,5	2,7

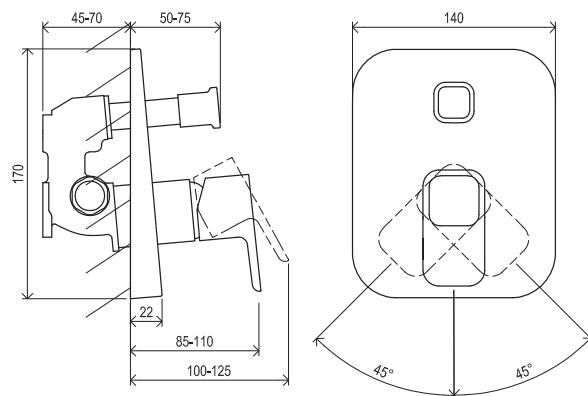
\*) Offer valid while stocks last.

Flow rate values: TD 022 bathtub/hand shower  
Flow rate is given in l/min at a pressure of 0.3 MPa. Products are delivered within 14 days as standard.



Order No.	Type	Design	Flow rate	Size of packaging (cm)	Gross weight (kg)
<b>X070068</b>	TD 061.00CR.O2 2-way concealed tap with basic unit *	chrome	22/21	21,5x18,5x10	1,7

\*) Offer valid while stocks last.



Order No.	Type	Design	Flow rate	Size of packaging (cm)	Gross weight (kg)
<b>X070070</b>	TD 065.00CR.O2.RB070 2-way concealed tap without basic unit *	chrome	21/21	21,5x18,5x10	1,9
<b>X070052</b>	RB 070.50 R-box, basic unit for concealed taps	-		16x12x12	1,2

\*) Offer valid while stocks last.



5-YEAR WARRANTY ON TAPS

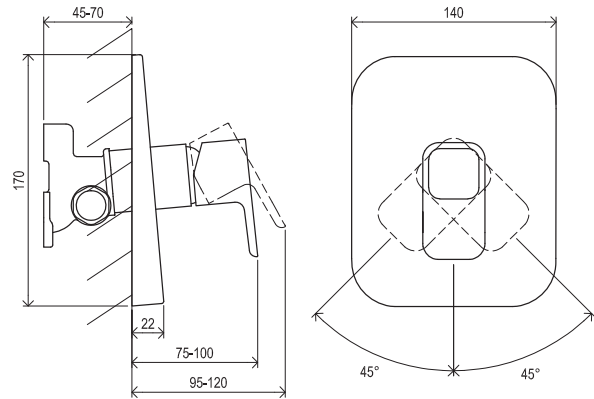


SOFT MOVE



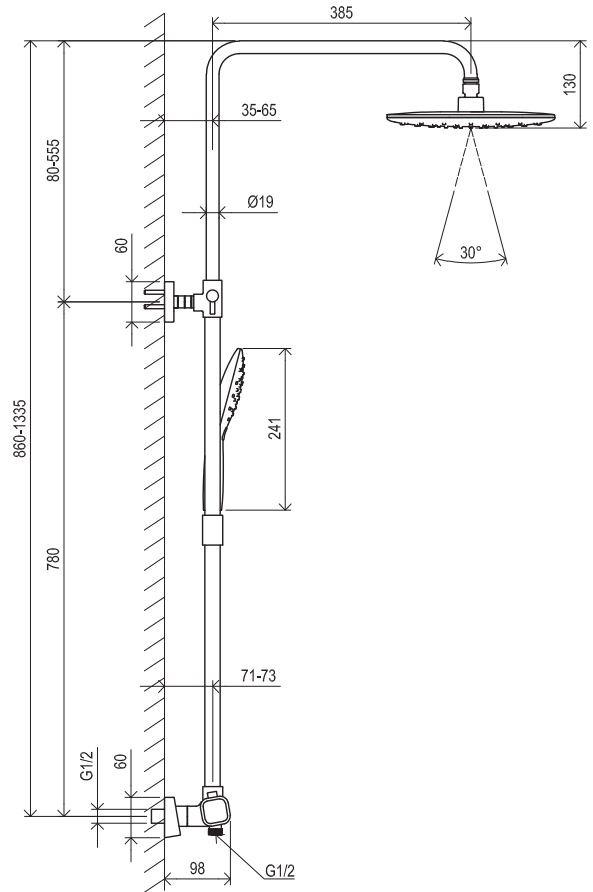
RAVAK CLEANER CHROME

10°



Order No.	Type	Design	Flow rate	Size of packaging (cm)	Gross weight (kg)
<b>X070071</b>	TD 066.00CR.01.RB070 1-way concealed tap without basic unit *	chrome	22	21,5x18,5x10	1,6
<b>X070052</b>	RB 070.50 R-box, basic unit for concealed taps	-		16x12x12	1,2

\*) Offer valid while stocks last.



Order No.	Type	Design	Flow rate	Size of packaging (cm)	Gross weight (kg)
<b>X070103</b>	TD 091.00CR Thermostatic shower column, adjustable, with shower set *	chrome	14/11	89x46x15	6,5

\*) Offer valid while stocks last.

Flow rate values: TD 091 head/hand shower  
Flow rate is given in l/min at a pressure of 0.3 MPa. Products are delivered within 14 days as standard.

# 10° Free



Washbasin taps in three heights



Adjustable aerator directs the water stream wherever you need



reddot design award  
winner 2015



Favourite among experts

## Clean style

The 10° design was met with enthusiasm by customers. This led to the creation of a second 10° tap design – the minimalist 10° Free, without a depression on the top of the lever.

### Don't miss it

1. Washbasin and bidet taps with 450 mm (TD 015 – 400 mm) long flexible connecting hoses and a G3/8 thread.
2. TD F 055 in chrome finish comes with a pop-up waste and a waste set. TD F 055 in black finish includes a waste set with a Click-Clack waste plug.
3. The TD F 022 wall-mounted bathtub tap features a lock-on bathtub/shower diverter.
4. Concealed taps in two designs – TD F: 061 / 062 for direct embedding into a wall, TD F: 065 / 066 for use with R-box RB 070.
5. TD F 033 have a thermostatic cartridge for regulating water temperature. The temperature control on the left prevents excessive heating of the tap's surface (CoolFeel).

Shower accessories → 650

Extras → 672

R-box → 640

Waste traps / Waste plugs → 452

Concepts → 693

5

5-YEAR  
WARRANTY  
ON TAPS



SOFT MOVE

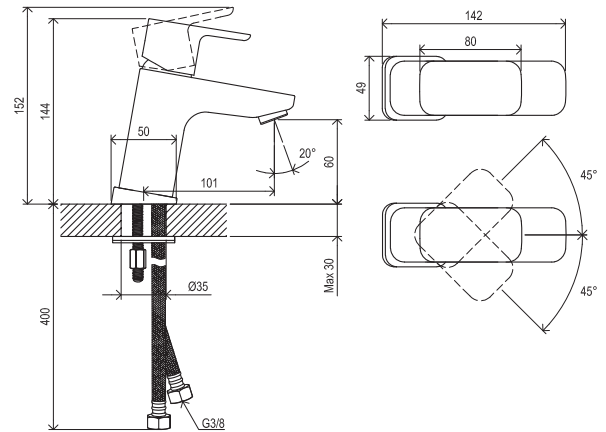
10° Free



EASYCLEAN



FLEXIFLOW



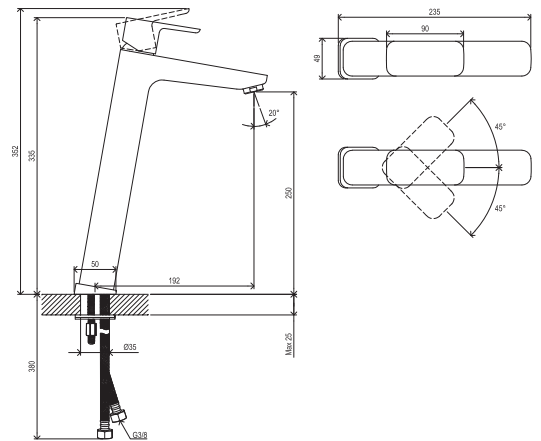
Order No.	Type	Design	Flow rate	Size of packaging (cm)	Gross weight (kg)
<b>X070127</b>	TD F 012.00CR Washbasin tap 144 mm, without pop-up waste	chrome	5	28x18x7,5	1,5
<b>X070148</b>	TD F 012.20BLM Washbasin tap 144 mm, without pop-up waste	matt black	5	28x18x7,5	1,5



EASYCLEAN



FLEXIFLOW



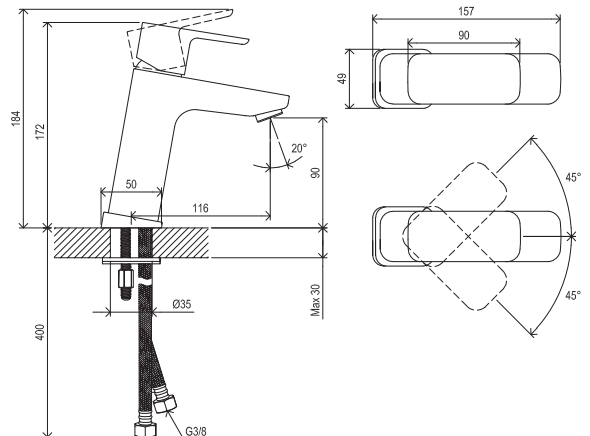
Order No.	Type	Design	Flow rate	Size of packaging (cm)	Gross weight (kg)
<b>X070130</b>	TD F 015.00CR Washbasin tap 334 mm, without pop-up waste	chrome	5	37x22x7,5	2,6
<b>X070151</b>	TD F 015.20BLM Washbasin tap 334 mm, without pop-up waste	matt black	5	37x22x7,5	2,6



EASYCLEAN

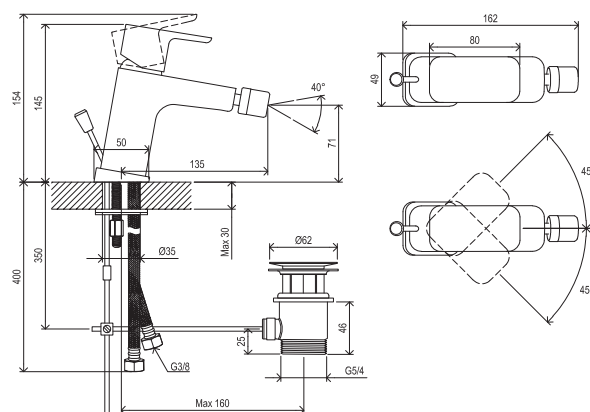


FLEXIFLOW

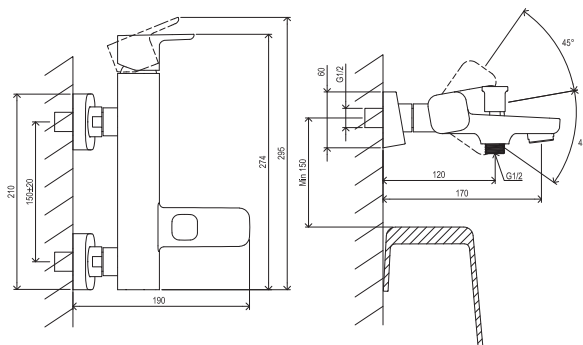


Order No.	Type	Design	Flow rate	Size of packaging (cm)	Gross weight (kg)
<b>X070129</b>	TD F 014.00CR Washbasin tap 172 mm, without pop-up waste	chrome	5	28x18x7,5	1,7
<b>X070150</b>	TD F 014.20BLM Washbasin tap 172 mm, without pop-up waste	matt black	5	28x18x7,5	1,7

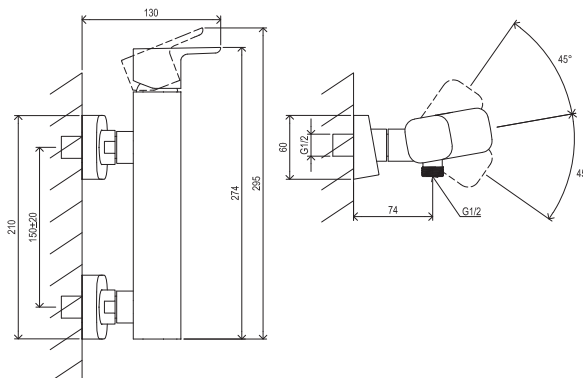
Flow rate is given in l/min at a pressure of 0.3 MPa. Products are delivered within 14 days as standard.



Order No.	Type	Design	Flow rate	Size of packaging (cm)	Gross weight (kg)
<b>X070133</b>	TD F 055.00CR Bidet tap 145 mm, with pop-up waste	chrome	14	28x18x7,5	1,9
<b>X070155</b>	TD F 055.20BLM Bidet tap 145 mm, with ClickClack waste	matt black	14	28x18x7,5	1,9



Order No.	Type	Design	Flow rate	Size of packaging (cm)	Gross weight (kg)
<b>X070131</b>	TD F 022.00CR Wall-mounted bathtub tap without shower set	chrome	19/21	30,5x19x9,5	2,9
<b>X070152</b>	TD F 022.20BLM Wall-mounted bathtub tap without shower set	matt black	19/21	30,5x19x9,5	2,9



Order No.	Type	Design	Flow rate	Size of packaging (cm)	Gross weight (kg)
<b>X070132</b>	TD F 032.00CR Wall-mounted shower tap without shower set	chrome	21	28x22x7,5	2,3
<b>X070153</b>	TD F 032.20BLM Wall-mounted shower tap without shower set	matt black	19/21	28x22x7,5	2,3

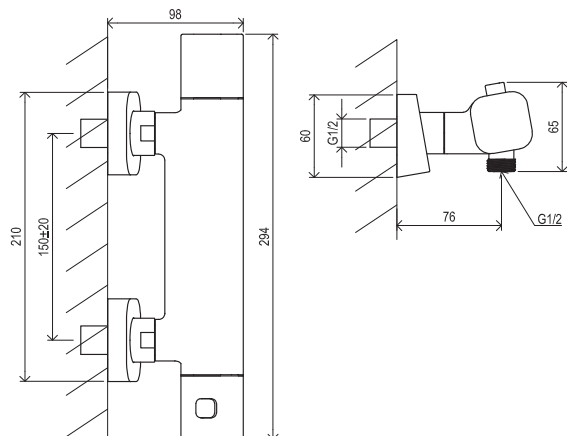
Flow rate values: TD F 022 bathtub/hand shower  
Flow rate is given in l/min at a pressure of 0.3 MPa. Products are delivered within 14 days as standard.

**5**5-YEAR  
WARRANTY  
ON TAPS

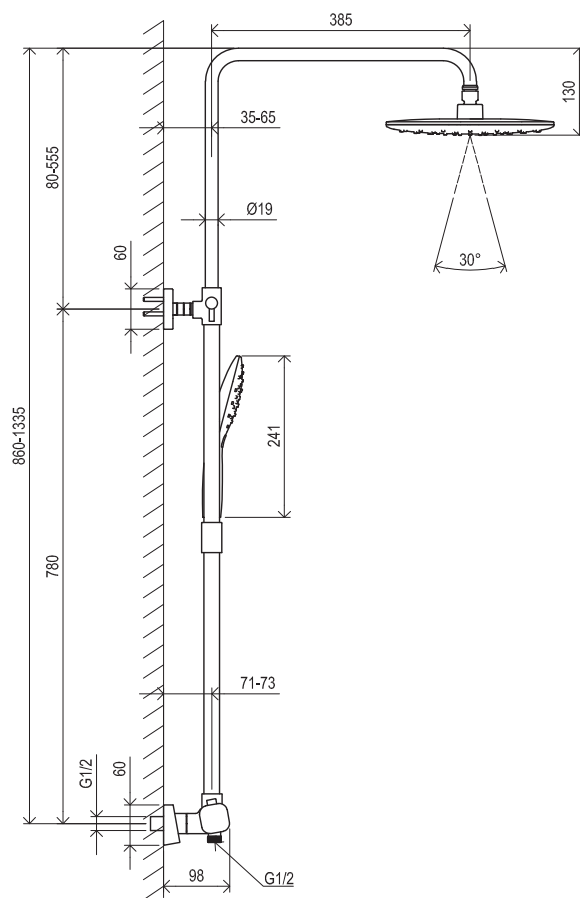
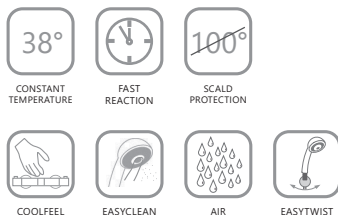
SOFT MOVE

**10° Free****38°**CONSTANT  
TEMPERATUREFAST  
REACTION

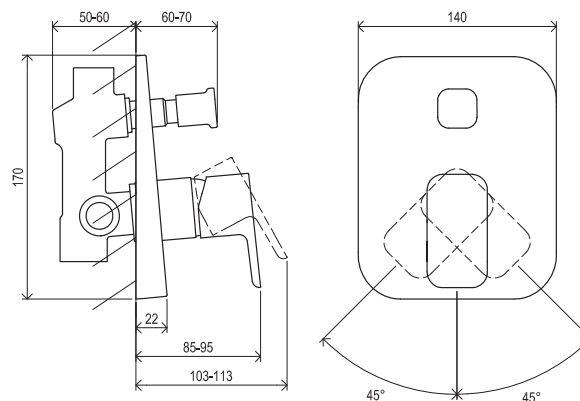
COOLFEEL

**100°**SCALD  
PROTECTION

Order No.	Type	Design	Flow rate	Size of packaging (cm)	Gross weight (kg)
<b>X070140</b>	TD F 033.00CR Thermostatic wall-mounted shower tap without shower set	chrome	21	34x18x6,5	2,6
<b>X070154</b>	TD F 033.20BLM Thermostatic wall-mounted shower tap without shower set	matt black	21	34x18x6,5	2,7



Order No.	Type	Design	Flow rate	Size of packaging (cm)	Gross weight (kg)
<b>X070141</b>	TD F 091.00CR Thermostatic shower column, adjustable, with shower set	chrome	14/11	104x45x10	7,4
<b>X070160</b>	TD F 091.20BLM Thermostatic shower column, adjustable, with shower set	matt black	14/11	104x45x9,5	7,5



Order No.	Type	Design	Flow rate	Size of packaging (cm)	Gross weight (kg)
<b>X070134</b>	TD F 061.00CR.O2 2-way concealed tap with basic unit	chrome	22/21	21,5x18,5x10	1,7
<b>X070156</b>	TD F 061.20BLM.O2 2-way concealed tap with basic unit	matt black	22/21	21,5x18,5x10	1,7

Flow rate values: TD F 091 head/hand shower Flow rate values: TD F 061 top/bottom outlet  
Flow rate is given in l/min at a pressure of 0.3 MPa. Products are delivered within 14 days as standard.

5

5-YEAR  
WARRANTY  
ON TAPS

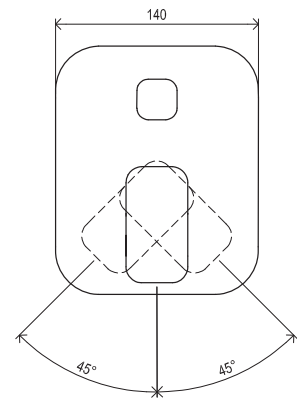
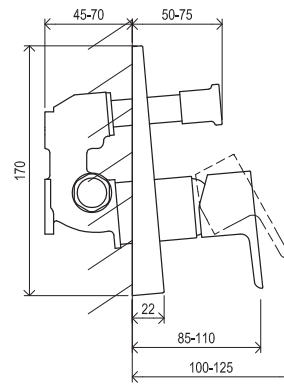


SOFT MOVE

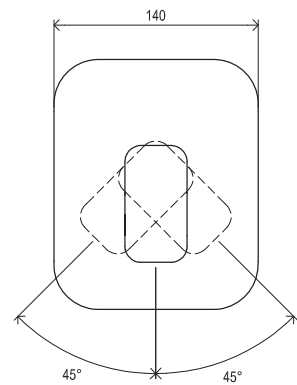
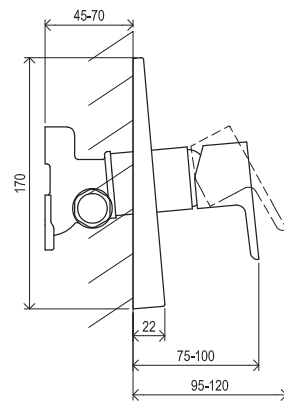
10° Free



AUTOSWITCH



Order No.	Type	Design	Flow rate	Size of packaging (cm)	Gross weight (kg)
<b>X070136</b>	TD F 065.00CR.O2.RB070 2-way concealed tap without basic unit	chrome	21/21	21,5x18,5x10	1,9
<b>X070158</b>	TD F 065.20BLM.O2.RB070 2-way concealed tap without basic unit	matt black	21/21	21,5x18,5x10	1,9
<b>X070052</b>	RB 070.50 R-box, basic unit for concealed taps	-		16x12x12	1,2



Order No.	Type	Design	Flow rate	Size of packaging (cm)	Gross weight (kg)
<b>X070137</b>	TD F 066.00CR.O1.RB070 1-way concealed tap without basic unit	chrome	22	21,5x18,5x10	1,6
<b>X070159</b>	TD F 066.20BLM.O1.RB070 1-way concealed tap without basic unit	matt black	22	21,5x18,5x10	1,6
<b>X070052</b>	RB 070.50 R-box, basic unit for concealed taps	-		16x12x12	1,2

Flow rate values: TD F 065 top/bottom outlet  
Flow rate is given in l/min at a pressure of 0.3 MPa. Products are delivered within 14 days as standard.



5

5-YEAR  
WARRANTY  
ON TAPS

SOFT MOVE

10° Free



new

**The concealed shower set includes:**

- TD F 065.00CR.O2.RB070 2-way concealed tap without basic unit, chrome
- RB 070.50 R-box, basic unit for concealed taps
- 983.00CR Overhead shower, 250x250 mm, chrome
- 702.00CR Wall shower arm, chrome
- 958.00CR Hand shower head, 3 functions, chrome
- 706.00CR Concealed outlet with shower holder, chrome
- 915.02CR Shower hose 200 cm, chrome

Order No.	Type	Design	Size of packaging (cm)	Gross weight (kg)
<b>X07S011</b>	TD F 090.00CR Concealed shower set	chrome	40x30x21	5,8



new

**The concealed shower set includes:**

- TD F 061.00CR.O2 2-way concealed tap with basic unit, chrome
- 983.00CR Overhead shower, 250x250 mm, chrome
- 702.00CR Wall shower arm, chrome
- 958.00CR Hand shower head, 3 functions, chrome
- 706.00CR Concealed outlet with shower holder, chrome
- 915.02CR Shower hose 200 cm, chrome

Order No.	Type	Design	Size of packaging (cm)	Gross weight (kg)
<b>X07S012</b>	TD F 090.01CR Concealed shower set	chrome	40x30x21	4,5



new

**The concealed shower set includes:**

- TD F 065.20BLM.O2.RB070 2-way concealed tap without basic unit, matt black
- RB 070.50 R-box, basic unit for concealed taps
- 983.20BLM Overhead shower, 250x250 mm, matt black
- 702.20BLM Wall shower arm, matt black
- 958.20BLM Hand shower head, 3 functions, matt black
- 706.20BLM Concealed outlet with shower holder, matt black
- 913.23BLM Shower hose 150 cm, matt black

Order No.	Type	Design	Size of packaging (cm)	Gross weight (kg)
<b>X07S013</b>	TD F 090.21BLM Concealed shower set	matt black	40x30x21	5,8

Flow rate is given in l/min at a pressure of 0.3 MPa. Products are delivered within 14 days as standard.

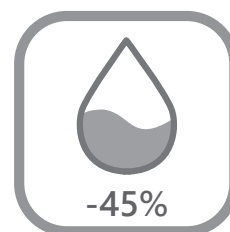
# Chrome II



Original method of filling a bathtub using a swivel spout



A new control method saves hot water and energy



The aerator reduces water consumption while maintaining comfort

## Bathroom in a unified style

If you're looking for more than just a tap, you'll find plenty of choice in the Chrome concept, with over 250 items available.

### Don't miss it

1. Concealed taps include the code of the compatible R-box in their product name; the R-box is not included.
2. Washbasin tap flow rate: 3.8 l/min.
3. CR II 112 features a tap/bidet shower diverter and a 150 cm high-pressure shower hose.
4. 5-year warranty on the entire tap, including the surface finish.
5. Washbasin and bidet taps have 450 mm long flexible connecting hoses with a G3/8 thread.

Washbasins → 426

Waste traps / Waste plugs → 452

Accessories → 680

Concepts → 8

Detergents → 693



5-YEAR WARRANTY ON TAPS



SOFT MOVE



RAVAK CLEANER CHROME



CONCEPTS

# Chrome II



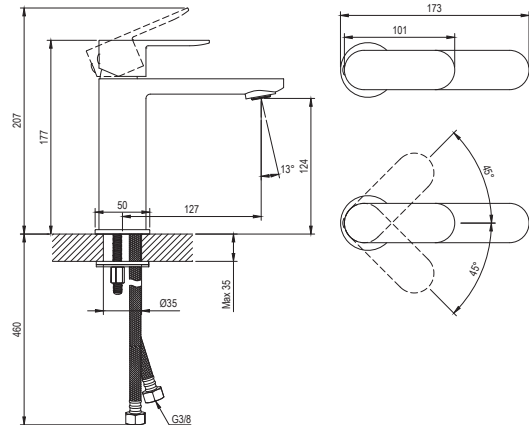
ECOFLOW



EASYCLEAN



I. ACOUSTIC CLASS ≤ 20 dB



Order No.	Type	Design	Flow rate	Size of packaging (cm)	Gross weight (kg)
<b>X070446</b>	CR II 014.00CR Washbasin tap 175 mm, without pop-up waste	chrome	4	28,5x18x8	1,5
<b>X070458</b>	CR II 014.20BL Washbasin tap 175 mm, without pop-up waste	black	4	28,5x18x8	1,5



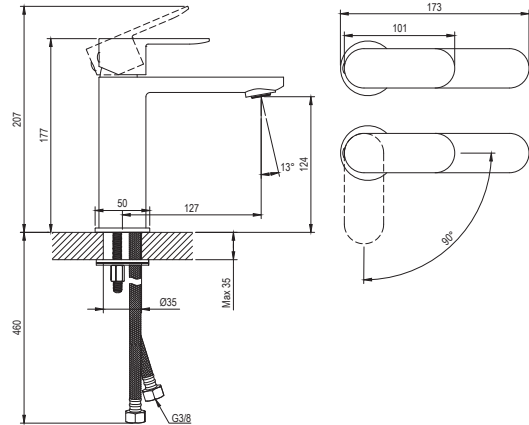
ECOFLOW



EASYCLEAN



I. ACOUSTIC CLASS ≤ 20 dB



Order No.	Type	Design	Flow rate	Size of packaging (cm)	Gross weight (kg)
<b>X070448</b>	CR II 014.01CR Washbasin BeCool tap 175 mm, without pop-up waste	chrome	4	28,5x18x8	1,5
<b>X070460</b>	CR II 014.21BL Washbasin BeCool tap 175 mm, without pop-up waste	black	4	28,5x18x8	1,5



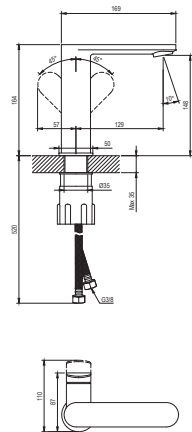
EASYCLEAN



SOFT MOVE



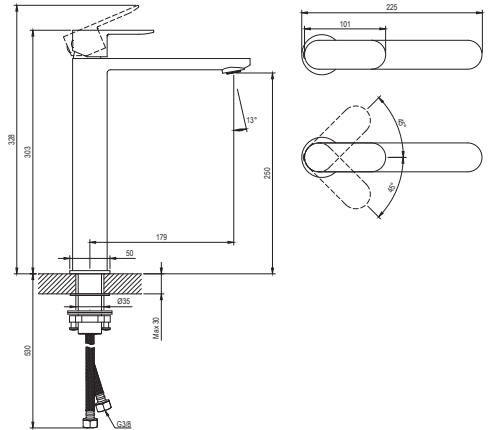
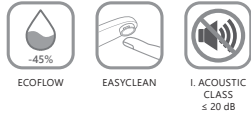
ECOFLOW



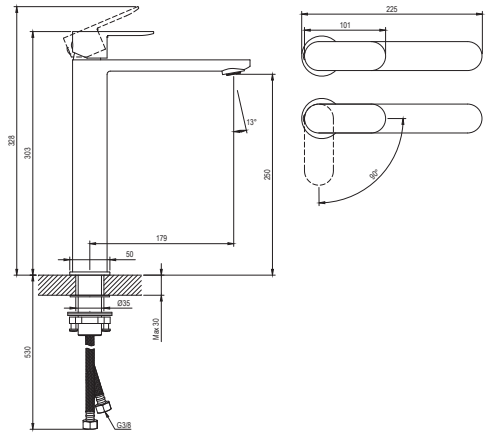
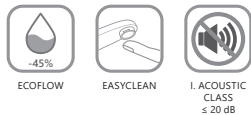
Order No.	Type	Design	Flow rate	Size of packaging (cm)	Gross weight (kg)
<b>X070584</b>	CR II 014.02CR Washbasin tap 165 mm, without pop-up waste	chrome	4.5	28x18x9	1,6
<b>X070590</b>	CR II 014.22BL Washbasin tap 165 mm, without pop-up waste	black	4.5	28x18x9	1,6

Products are delivered within 14 days as standard.

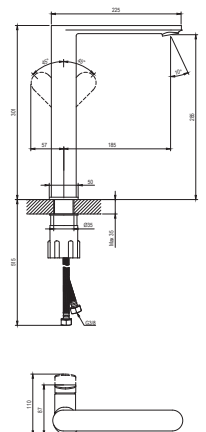
# ravak® Water taps



Order No.	Type	Design	Flow rate	Size of packaging (cm)	Gross weight (kg)
<b>X070447</b>	CR II 015.00CR Washbasin tap 300 mm, without pop-up waste	chrome	4	42,5x24x6	2,2
<b>X070459</b>	CR II 015.20BL Washbasin tap 300 mm, without pop-up waste	black	4	42,5x24x6	2,2



Order No.	Type	Design	Flow rate	Size of packaging (cm)	Gross weight (kg)
<b>X070449</b>	CR II 015.01CR Washbasin BeCool tap 300 mm, without pop-up waste	chrome	4	42,5x24x6	2,2
<b>X070461</b>	CR II 015.21BL Washbasin BeCool tap 300 mm, without pop-up waste	black	4	42,5x24x6	2,2



Order No.	Type	Design	Flow rate	Size of packaging (cm)	Gross weight (kg)
<b>X070585</b>	CR II 015.02CR Washbasin tap 300 mm, without pop-up waste	chrome	4.5	40,5x25x8,5	2,5
<b>X070591</b>	CR II 015.22BL Washbasin tap 300 mm, without pop-up waste	black	4.5	40,5x25x8,5	2,5

Products are delivered within 14 days as standard.



5-YEAR WARRANTY ON TAPS



SOFT MOVE

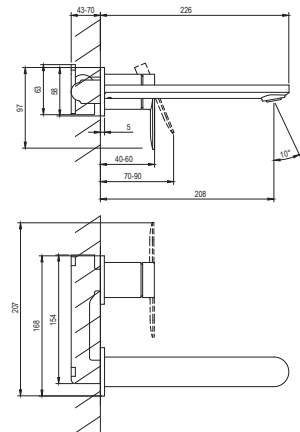


RAVAK CLEANER CHROME

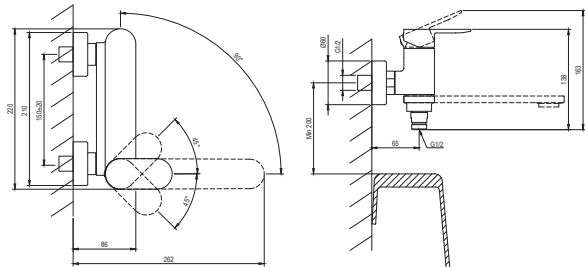


CONCEPTS

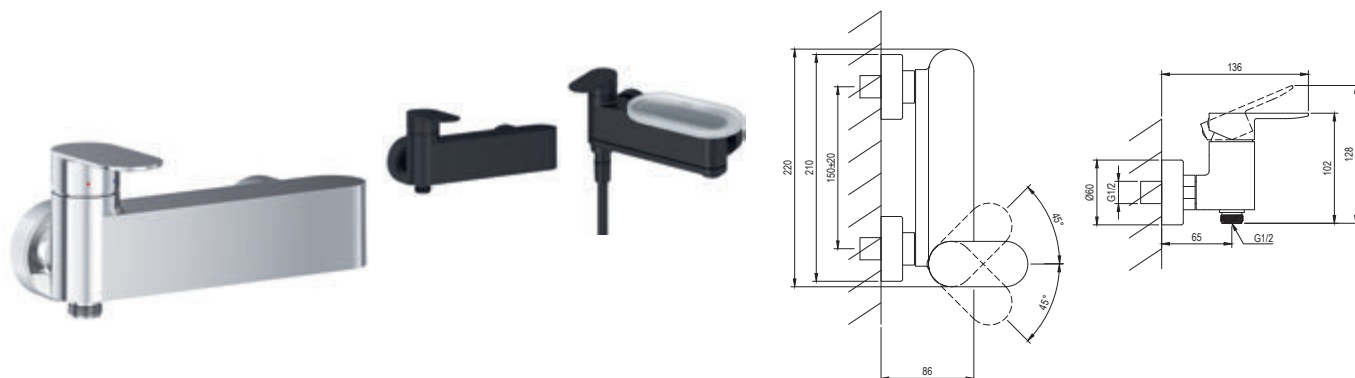
# Chrome II



Order No.	Type	Design	Flow rate	Size of packaging (cm)	Gross weight (kg)
<b>X070586</b>	CR II 019.00CR.01 Concealed washbasin tap with basic unit	chrome	4.5	29x19x7,5	1,8
<b>X070592</b>	CR II 019.20BL.01 Concealed washbasin tap with basic unit	black	4.5	29x19x7,5	1,8



Order No.	Type	Design	Flow rate	Size of packaging (cm)	Gross weight (kg)
<b>X070451</b>	CR II 022.00CR Wall-mounted bathtub tap without shower set	chrome	21/20	24x19x11	2,7
<b>X070463</b>	CR II 022.20BL Wall-mounted bathtub tap without shower set	black	21/20	24x19x11	2,7
<b>X07P1237</b>	Shelf for Chrome II bathtub and shower tap	translucent white		19x10x7,5	0,2



Order No.	Type	Design	Flow rate	Size of packaging (cm)	Gross weight (kg)
<b>X070452</b>	CR II 032.00CR Wall-mounted shower tap without shower set	chrome	23	24x19x11	2,1
<b>X070464</b>	CR II 032.20BL Wall-mounted shower tap without shower set	black	23	24x19x11	2,2
<b>X07P1237</b>	Shelf for Chrome II bathtub and shower tap	translucent white		19x10x7,5	0,2



Order No.	Type	Design	Flow rate	Size of packaging (cm)	Gross weight (kg)
<b>X070587</b>	CR II 026.00CR 4-hole deck-mounted bathtub tap with shower set	chrome	20/12,5	48,5x31x7,5	4,3
<b>X070593</b>	CR II 026.20BL 4-hole deck-mounted bathtub tap with shower set	black	20/12,5	48,5x31x7,5	4,3



5-YEAR WARRANTY ON TAPS



SOFT MOVE



RAVAK CLEANER CHROME

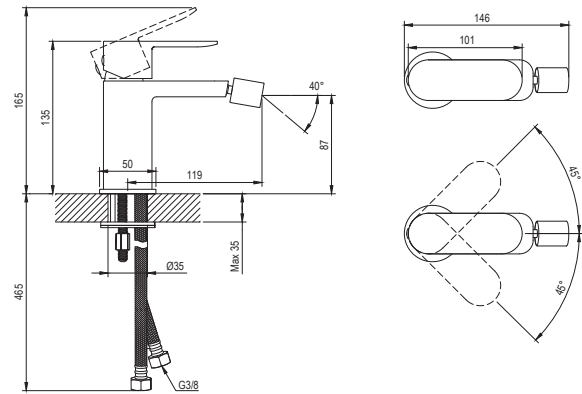


CONCEPTS

# Chrome II



EASYCLEAN



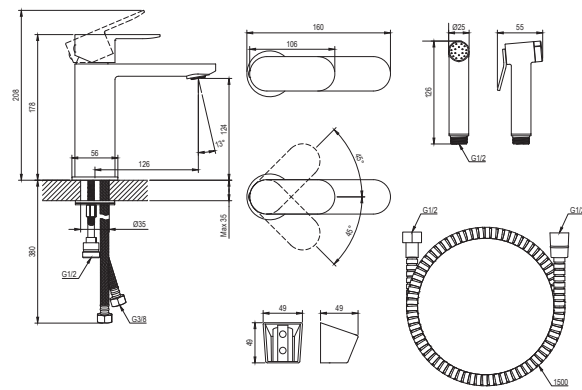
Order No.	Type	Design	Flow rate	Size of packaging (cm)	Gross weight (kg)
<b>X070453</b>	CR II 056.00CR Bidet tap 135 mm, without pop-up waste	chrome	9	28,5x18x8	1,3
<b>X070465</b>	CR II 056.20BL Bidet tap 135 mm, without pop-up waste	black	9	28,5x18x8	1,3



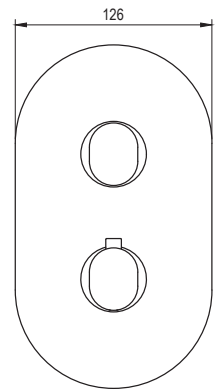
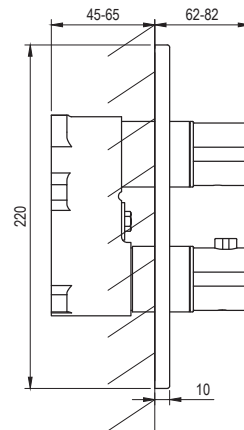
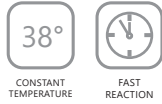
ECOFLOW



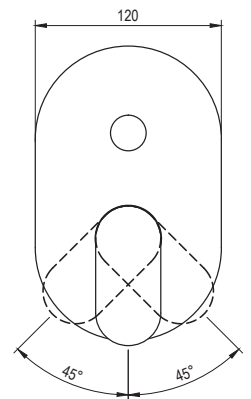
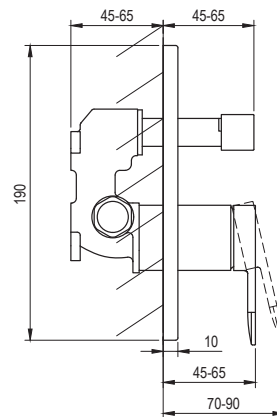
EASYCLEAN



Order No.	Type	Design	Flow rate	Size of packaging (cm)	Gross weight (kg)
<b>X070450</b>	CR II 112.00CR Washbasin tap with bidet shower 175 mm, without pop-up waste	chrome	4/5	28,5x18x11	2,3
<b>X070462</b>	CR II 112.20BL Washbasin tap with bidet shower 175 mm, without pop-up waste	black	4/5	28,5x18x11	2,3



Order No.	Type	Design	Flow rate	Size of packaging (cm)	Gross weight (kg)
<b>X070455</b>	CR II 063.00CR.O2.RB071 2-way thermostatic concealed tap without basic unit	chrome	20/20	24,5x14x10	2,5
<b>X070467</b>	CR II 063.20BL.O2.RB071 2-way thermostatic concealed tap without basic unit	black	20/20	24,5x14x10	2,5
<b>X070074</b>	RB 071.50 R-box Multi, basic unit for concealed taps	-		20x12,5x11	1,8



Order No.	Type	Design	Flow rate	Size of packaging (cm)	Gross weight (kg)
<b>X070454</b>	CR II 065.00CR.O2.RB070 2-way concealed tap without basic unit	chrome	19/19	21,5x19x10	1,7
<b>X070466</b>	CR II 065.20BL.O2.RB070 2-way concealed tap without basic unit	black	19/19	21,5x19x10	1,7
<b>X070052</b>	RB 070.50 R-box, basic unit for concealed taps	-		16x12x12	1,2



5-YEAR WARRANTY ON TAPS



SOFT MOVE



RAVAK CLEANER CHROME



CONCEPTS

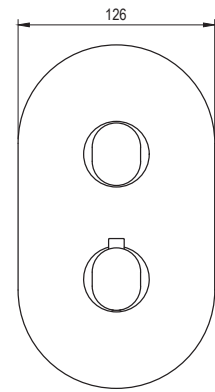
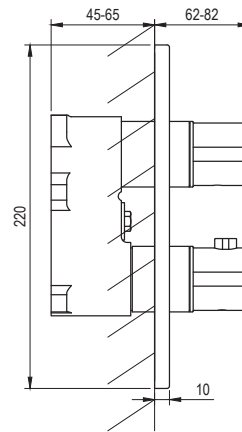
# Chrome II



CONSTANT TEMPERATURE



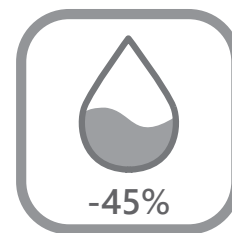
FAST REACTION



Order No.	Type	Design	Flow rate	Size of packaging (cm)	Gross weight (kg)
<b>X070457</b>	CR II 067.00CR.O3.RB071 3-way thermostatic concealed tap without basic unit	chrome	20/20/20	24,5x14x10	2,5
<b>X070469</b>	CR II 067.20BL.O3.RB071 3-way thermostatic concealed tap without basic unit	black	20/20/20	24,5x14x10	2,5
<b>X070074</b>	RB 071.50 R-box Multi, basic unit for concealed taps	-		20x12,5x11	1,8



# Life



## ECOFLOW

You save both money and the planet, with a reduced flow rate of just 3.5 l/min



Three tap sizes suitable for every type of washbasin



Taps are available in two finishes – chrome and black

## Good for you and the environment

Simple, elegant design complements any bathroom. The high-quality aerator limits flow to just 3.5 l/min while enriching the water with air. You'll hardly notice the difference in use, but it will reduce your water consumption compared with standard taps.

### Don't miss it

1. Simple installation of the washbasin taps using EasyFix.
2. Washbasin tap flow rate: 3.5 l/min.
3. Lock-on diverter for bathtub taps. Washbasin taps feature a CoinSlot aerator for easy installation and removal using a coin.
4. 5-year warranty on the entire tap, including the surface finish.
5. Washbasin and bidet taps have 450 mm long flexible connecting hoses with a G3/8 thread.

Washbasins → 388

Waste traps / Waste plugs → 452

Accessories → 672

Furniture → 458

Detergents → 693



5-YEAR WARRANTY ON TAPS



RAVAK CLEANER CHROME



EASYCLEAN



SOFT MOVE

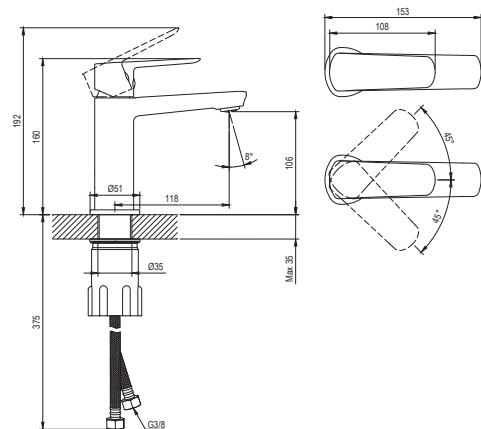
# Life



ECO FLOW



EASY FIX



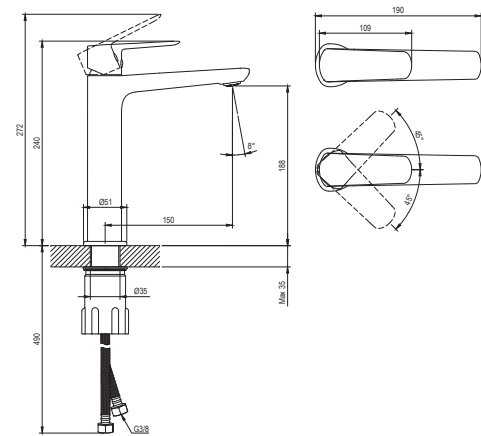
Order No.	Type	Design	Flow rate	Size of packaging (cm)	Gross weight (kg)
<b>X070470</b>	LF 012.00CR Washbasin tap 160 mm, without pop-up waste	chrome	4	21x16x6	1,2
<b>X070476</b>	LF 012.20BLM Washbasin tap 160 mm, without pop-up waste	matt black	4	21x16x6	1,2



ECO FLOW



EASY FIX



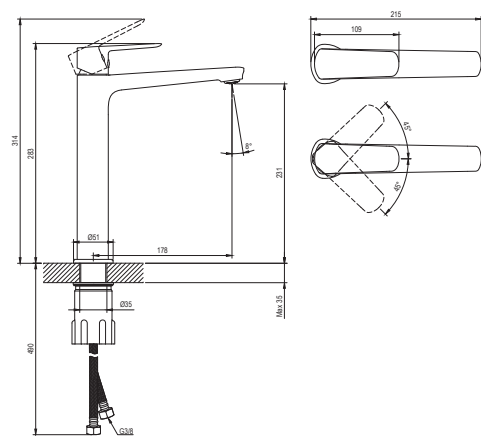
Order No.	Type	Design	Flow rate	Size of packaging (cm)	Gross weight (kg)
<b>X070471</b>	LF 014.00CR Washbasin tap 240 mm, without pop-up waste	chrome	4	35x21x6	1,7
<b>X070477</b>	LF 014.20BLM Washbasin tap 240 mm, without pop-up waste	matt black	4	35x21x6	1,7



ECO FLOW



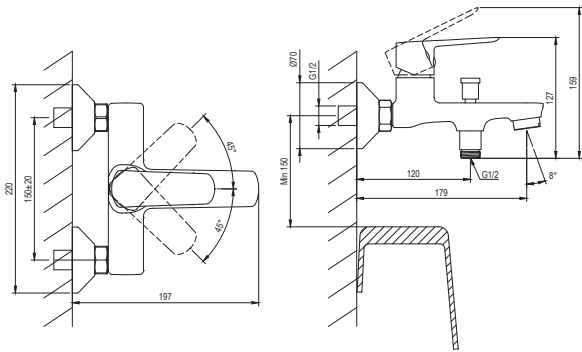
EASY FIX



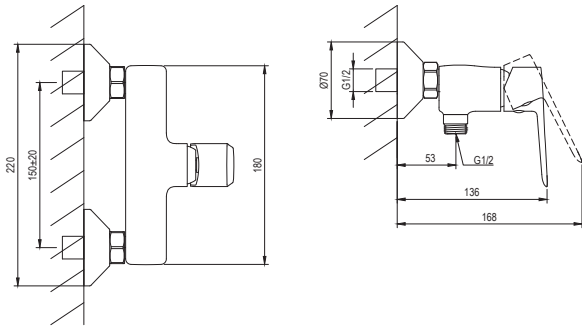
Order No.	Type	Design	Flow rate	Size of packaging (cm)	Gross weight (kg)
<b>X070472</b>	LF 015.00CR Washbasin tap 280 mm, without pop-up waste	chrome	4	40x24x6	1,9
<b>X070478</b>	LF 015.20BLM Washbasin tap 280 mm, without pop-up waste	matt black	4	40x24x6	1,9

Products are delivered within 14 days as standard.

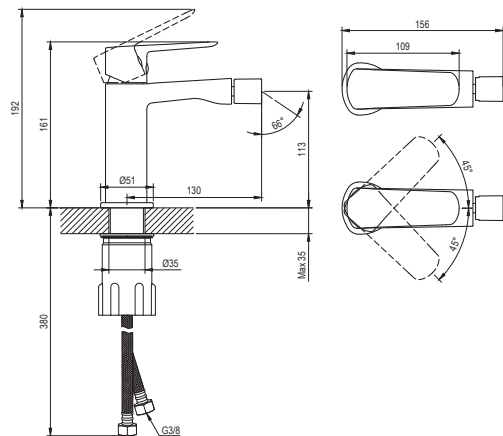




Order No.	Type	Design	Flow rate	Size of packaging (cm)	Gross weight (kg)
<b>X070473</b>	LF 022.00CR Wall-mounted bathtub tap without shower set	chrome	20/20	20x19x13	1,7
<b>X070479</b>	LF 022.20BLM Wall-mounted bathtub tap without shower set	matt black	20/20	20x19x13	1,7



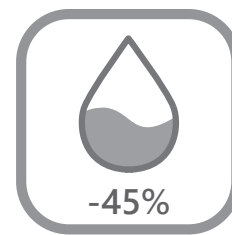
Order No.	Type	Design	Flow rate	Size of packaging (cm)	Gross weight (kg)
<b>X070474</b>	LF 032.00CR Wall-mounted shower tap without shower set	chrome	23	21x16x9,5	1,2
<b>X070480</b>	LF 032.20BLM Wall-mounted shower tap without shower set	matt black	23	21x16x9,5	1,2



Order No.	Type	Design	Flow rate	Size of packaging (cm)	Gross weight (kg)
<b>X070475</b>	LF 056.00CR Bidet tap 160 mm, without pop-up waste	chrome	4	21x17x7	1,2
<b>X070481</b>	LF 056.20BLM Bidet tap 160 mm, without pop-up waste	matt black	4	21x17x7	1,2

Products are delivered within 14 days as standard.

# Solar



## ECOFLOW

You save both money and the planet, with a reduced flow rate of just 3.5 l/min



Three tap sizes suitable for every type of washbasin



Taps are available in two finishes – chrome and black

## The perfect combination of tap elegance

Play with contrasts. These taps combine elegant curves with modern angular shapes for perfect harmony in the bathroom.

### Don't miss it

1. Simple installation of the washbasin taps using EasyFix.
2. Washbasin tap flow rate: 3.5 l/min.
3. Lock-on diverter for bathtub taps. Washbasin taps feature a CoinSlot aerator for easy installation and removal using a coin.
4. 5-year warranty on the entire tap, including the surface finish.
5. Washbasin and bidet taps have 450 mm long flexible connecting hoses with a G3/8 thread.

Washbasins → 388

Waste traps / Waste plugs → 452

Accessories → 672

Furniture → 458

Detergents → 693







5-YEAR WARRANTY ON TAPS



RAVAK CLEANER CHROME



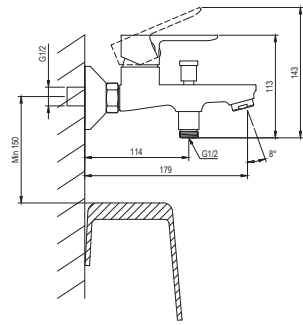
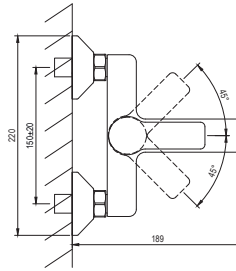
SOFT MOVE



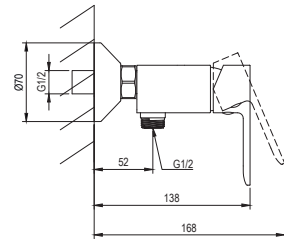
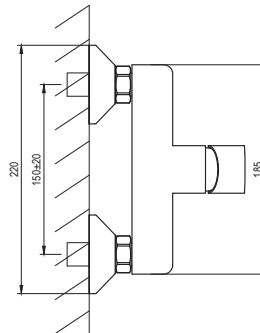
DIVERTER LOCKING



EASYCLEAN



Order No.	Type	Design	Flow rate	Size of packaging (cm)	Gross weight (kg)
<b>X070485</b>	SL 022.00CR Wall-mounted bathtub tap without shower set	chrome	13/18	20x19x13	1,6
<b>X070491</b>	SL 022.20BLM Wall-mounted bathtub tap without shower set	matt black	13/18	20x19x13	1,6



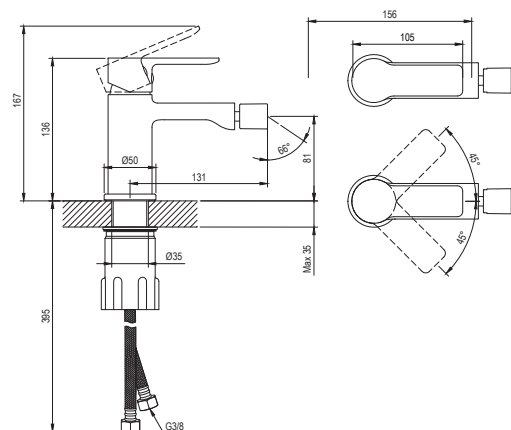
Order No.	Type	Design	Flow rate	Size of packaging (cm)	Gross weight (kg)
<b>X070486</b>	SL 032.00CR Wall-mounted shower tap without shower set	chrome	23	21x16x9,5	1,2
<b>X070492</b>	SL 032.20BLM Wall-mounted shower tap without shower set	matt black	23	21x16x9,5	1,2



EASYCLEAN



EASYFIX



Order No.	Type	Design	Flow rate	Size of packaging (cm)	Gross weight (kg)
<b>X070487</b>	SL 056.00CR Bidet tap 135 mm, without pop-up waste	chrome	4	21x17x7	1,2
<b>X070493</b>	SL 056.20BLM Bidet tap 135 mm, without pop-up waste	matt black	4	21x17x7	1,2

Products are delivered within 14 days as standard.

# Classic



Part of the Classic concept



Concealed aerator that can be easily removed and cleaned



The range also includes concealed taps

## Slim and elegant

The elegant shapes of Classic taps are characterised by a combination of a slim body and pronounced flat surfaces.

### Don't miss it

1. Deck-mounted taps from the Classic range have a ceramic cartridge with a diameter of 25 mm; concealed taps have a cartridge diameter of 35 mm.
2. CL 055 and CL 011 taps come with a pop-up waste and a waste set.
3. CL 011, CL 012 and CL 016 taps have 450 mm long flexible connecting hoses with G3/8 thread; CL 055 bidet tap has a 400 mm hose with G3/8 thread.
4. CL 011, CL 012 and CL 022 taps feature a concealed aerator that preserves the clean design of the tap and can be easily removed using a small coin.
5. CL 065 and CL 066 concealed taps are designed for installation using the R-box 070.

Shower accessories → 650

Extras → 672

Washbasins → 438

Waste traps / Waste plugs → 452

Detergents → 693



5-YEAR WARRANTY ON TAPS



SOFT MOVE



RAVAK CLEANER CHROME



CONCEPTS

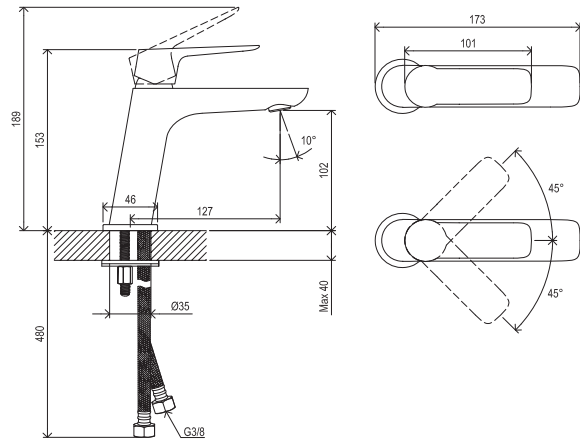
# Classic



EASYCLEAN



HIDDEN AERATOR



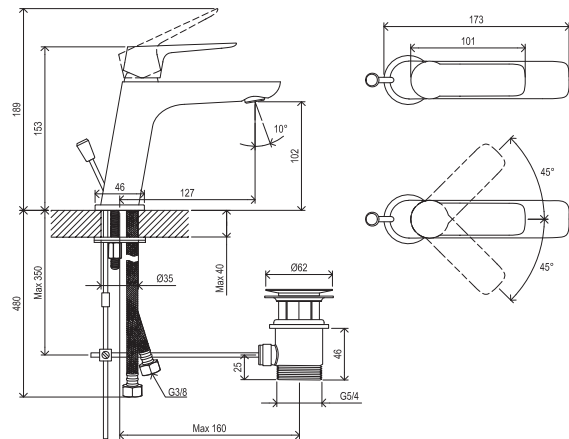
Order No.	Type	Design	Flow rate	Size of packaging (cm)	Gross weight (kg)
<b>X070080</b>	CL 012.00CR Washbasin tap 153 mm, without pop-up waste	chrome	11	28x20x7,5	1,2



EASYCLEAN

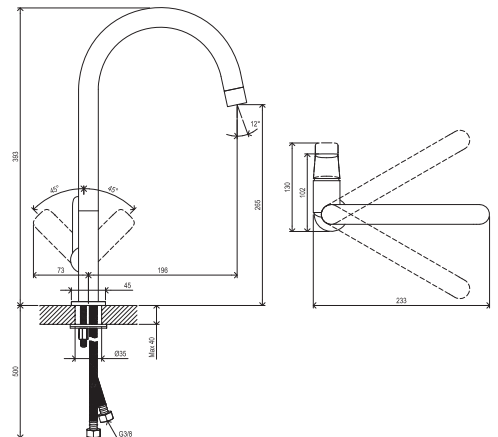


HIDDEN AERATOR

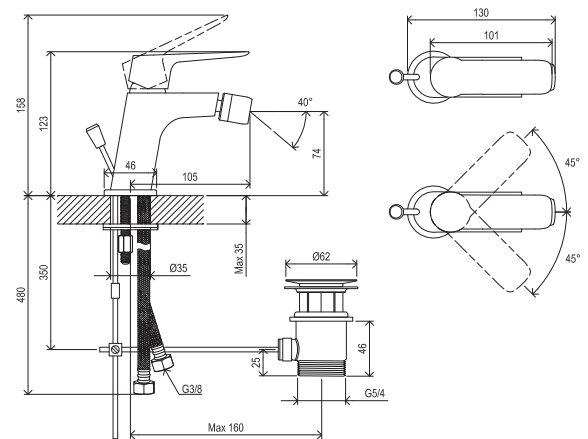


Order No.	Type	Design	Flow rate	Size of packaging (cm)	Gross weight (kg)
<b>X070081</b>	CL 011.00CR Washbasin tap 153 mm, with pop-up waste *	chrome	11	28x20x7,5	1,6

\*) Valid while stocks last.  
Flow rate is given in l/min at a pressure of 0.3 MPa. Products are delivered within 14 days as standard.



Order No.	Type	Design	Flow rate	Size of packaging (cm)	Gross weight (kg)
<b>X070085</b>	CL 016.00CR Washbasin tap 393 mm, with swivel spout, without pop-up waste	chrome	7	46x25x7	1,8



Order No.	Type	Design	Flow rate	Size of packaging (cm)	Gross weight (kg)
<b>X070082</b>	CL 055.00CR Bidet tap 123 mm, with pop-up waste	chrome	10	28x20x7,5	1,5



5-YEAR WARRANTY ON TAPS



SOFT MOVE



RAVAK CLEANER CHROME



CONCEPTS

# Classic



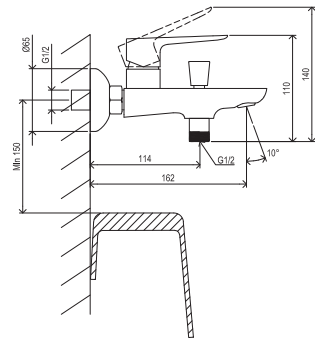
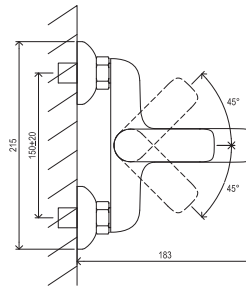
EASYCLEAN



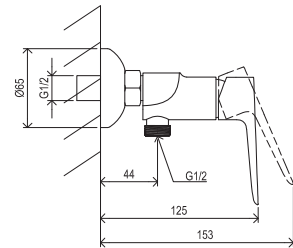
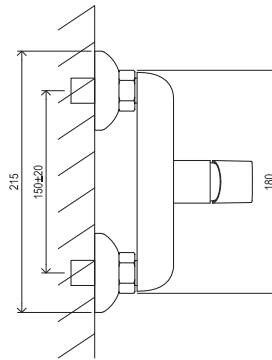
DIVERTER LOCKING



HIDDEN AERATOR



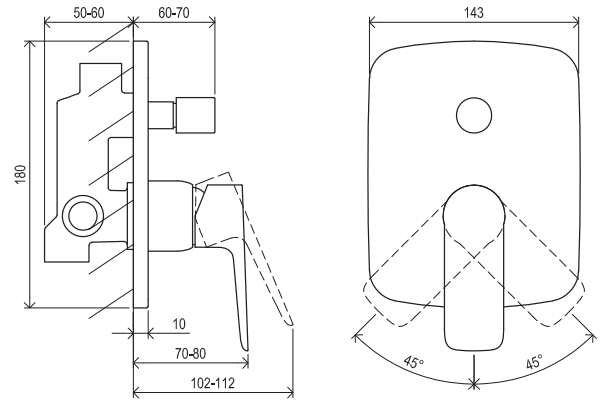
Order No.	Type	Design	Flow rate	Size of packaging (cm)	Gross weight (kg)
<b>X070083</b>	CL 022.00CR Wall-mounted bathtub tap without shower set	chrome	15/16	22,5x16,5x18,5	1,8



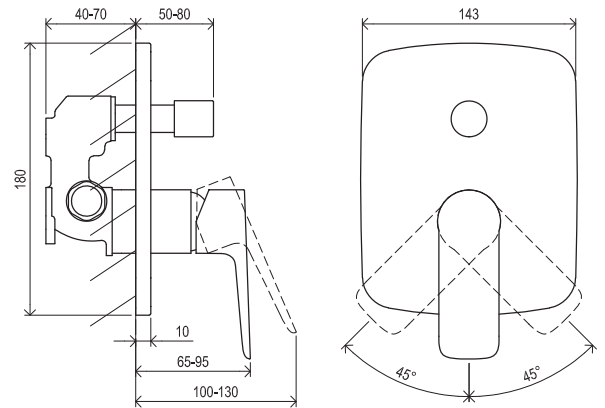
Order No.	Type	Design	Flow rate	Size of packaging (cm)	Gross weight (kg)
<b>X070084</b>	CL 032.00CR Wall-mounted shower tap without shower set	chrome	17	22,5x16,5x16	1,4

Flow rate values: CL 022 bathtub/hand shower  
Flow rate is given in l/min at a pressure of 0.3 MPa. Products are delivered within 14 days as standard.

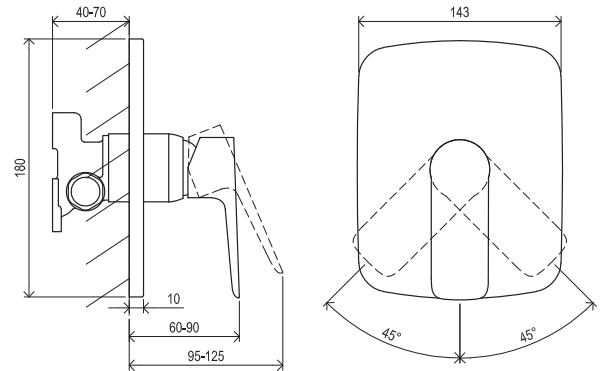
# ravak® Water taps



Order No.	Type	Design	Flow rate	Size of packaging (cm)	Gross weight (kg)
<b>X070086</b>	CL 061.00CR.O2 2-way concealed tap with basic unit	chrome	22/23	21,5x18,5x10	1,7



Order No.	Type	Design	Flow rate	Size of packaging (cm)	Gross weight (kg)
<b>X070088</b>	CL 065.00CR.O2.RB070 2-way concealed tap without basic unit	chrome	20/20	21,5x18,5x10	1,8
<b>X070052</b>	RB 070.50 R-box, basic unit for concealed taps	-		16x12x12	1,2



Order No.	Type	Design	Flow rate	Size of packaging (cm)	Gross weight (kg)
<b>X070089</b>	CL 066.00CR.O1.RB070 1-way concealed tap without basic unit	chrome	20	21,5x18,5x10	1,5
<b>X070052</b>	RB 070.50 R-box, basic unit for concealed taps	-		16x12x12	1,2

Flow rate values: CL 061 top/bottom outlet Flow rate values: CL 065 top/bottom outlet  
Flow rate is given in l/min at a pressure of 0.3 MPa. Products are delivered within 14 days as standard.



5-YEAR WARRANTY ON TAPS



SOFT MOVE



RAVAK CLEANER CHROME



CONCEPTS



**The concealed shower set includes:**

- CL 061.00CR.O2 2-way concealed tap with basic unit, chrome
- 983.00CR Overhead shower, 250x250 mm, chrome
- 702.00CR Wall shower arm, chrome
- 958.00CR Hand shower head, 3 functions, chrome
- 706.00CR Concealed outlet with shower holder, chrome
- 915.02CR Shower hose 200 cm, chrome

Order No.	Type	Design	Size of packaging (cm)	Gross weight (kg)
<b>X07S017</b>	CL 090.00CR Concealed shower set	chrome	40x30x21	4,5



**The concealed shower set includes:**

- CL 065.00CR.O2.RB070 2-way concealed tap without basic unit, chrome
- RB 070.50 R-box, basic unit for concealed taps
- 983.00CR Overhead shower, 250x250 mm, chrome
- 702.00CR Wall shower arm, chrome
- 958.00CR Hand shower head, 3 functions, chrome
- 706.00CR Concealed outlet with shower holder, chrome
- 915.02CR Shower hose 200 cm, chrome

Order No.	Type	Design	Size of packaging (cm)	Gross weight (kg)
<b>X07S016</b>	CL 091.00CR Concealed shower set	chrome	40x30x21	5,8

## Floor-mounted for bathtubs



Ideal for freestanding bathtubs



Solid brass body



R-box for secure and precise floor mounting of the tap

### Original bathroom solution

The tall, slim silhouette of the tap, with its spout, creates a symphony of beauty and utility in the bathroom, while giving you the freedom to mount it wherever you wish.

#### Don't miss it

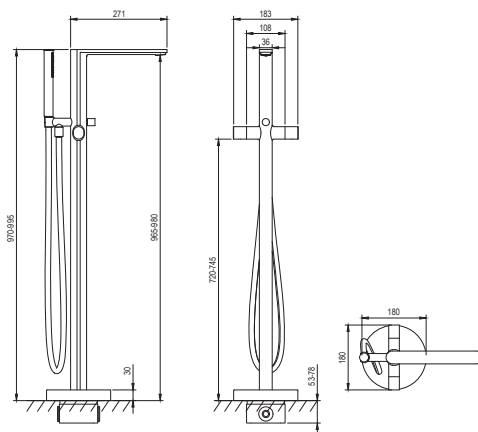
- 1.** Floor-mounted bathtub taps have an all-brass body that ensures lasting and trouble-free functioning.
- 2.** The R-box is not included as standard. It ensures easy and reliable anchoring of the tap to the floor.
- 3.** The G 1/2" water pipe must be laid under the floor. For FM 080, the water supply must be connected to the R-box perpendicular to the bathtub.
- 4.** Floor-mounted taps feature a lock-on bathtub/shower diverter that will not turn off even if the water pressure drops.
- 5.** The hoses feature EasyTwist, a function that prevents the hose from twisting by letting the shower head rotate freely.

Bathtubs → 302

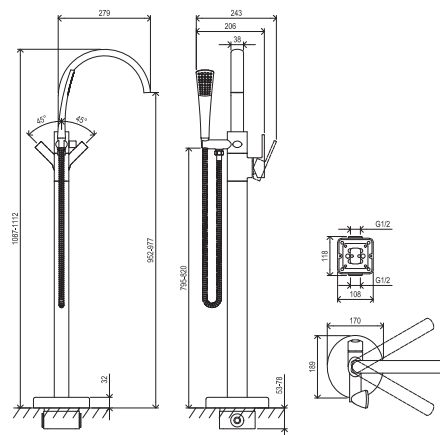
Detergents → 693



# ravak® Water taps



Order No.	Type	Design	Flow rate	Size of packaging (cm)	Gross weight (kg)
<b>X070456</b>	CR II 080.00CR.RB07A Floor-mounted bathtub tap without basic unit, with shower set	chrome	25/11	80,5x18x22	8,2
<b>X070468</b>	CR II 080.20BL.RB07A Floor-mounted bathtub tap without basic unit, with shower set	black	25/11	80,5x18x22	8,1
<b>X070427</b>	RB 07A.50 R-box Floor, basic unit for floor-mounted taps			13,5x13,5x10	2,1



Order No.	Type	Design	Flow rate	Size of packaging (cm)	Gross weight (kg)
<b>X070424</b>	FM 080.00CR.RB07A Floor-mounted bathtub tap without basic unit, with shower set		16/12	90x41x14	8,4
<b>X070435</b>	FM 080.20BL.RB07A Floor-mounted bathtub tap without basic unit, with shower set		16/12	90x41x14	8,4
<b>X070427</b>	RB 07A.50 R-box Floor, basic unit for floor-mounted taps			13,5x13,5x10	2,1

Flow rate values: bathtub/hand shower  
Flow rate is given in l/min at a pressure of 0.3 MPa. Products are delivered within 14 days as standard.



5-YEAR WARRANTY ON TAPS



SOFT MOVE



RAVAK CLEANER CHROME



EASYCLEAN

# Floor-mounted bathtub taps



EASYCLEAN



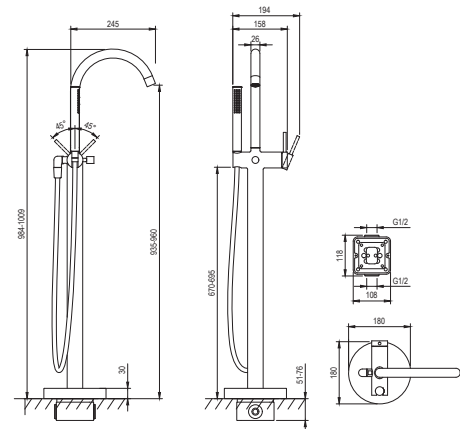
SOFT MOVE



EASYTWIST



DIVERTER LOCKING



Order No.	Type	Design	Flow rate	Size of packaging (cm)	Gross weight (kg)
<b>X070436</b>	FM 082.00CR.RB07A Floor-mounted bathtub tap without basic unit, with shower set		18/12	90x41x14	6,8
<b>X070437</b>	FM 082.20BL.RB07A Floor-mounted bathtub tap without basic unit, with shower set		18/12	90x41x14	6,8
<b>X070427</b>	RB 07A.50 R-box Floor, basic unit for floor-mounted taps			13,5x13,5x10	2,1



EASYTWIST



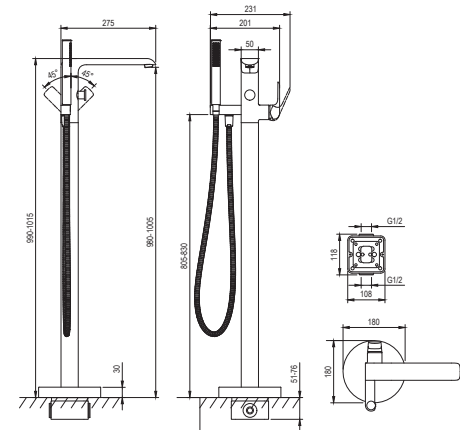
EASYCLEAN



SOFT MOVE



SOFT MOVE



Order No.	Type	Design	Flow rate	Size of packaging (cm)	Gross weight (kg)
<b>X070440</b>	FL 080.00CR.RB07A Floor-mounted bathtub tap without basic unit, with shower set		18/13	90x42x24	8,4
<b>X070441</b>	FL 080.20BLM.RB07A Floor-mounted bathtub tap without basic unit, with shower set		18/13	90x49x24	8,4
<b>X070427</b>	RB 07A.50 R-box Floor, basic unit for floor-mounted taps			13,5x13,5x10	2,1

Flow rate values: bathtub/hand shower  
Flow rate is given in l/min at a pressure of 0.3 MPa. Products are delivered within 14 days as standard.

# Deck-mounted bathtub taps



Complete product - tap + hose + shower



Choice between three-, four- and five-hole design



Part of the comprehensive Chrome concept

## Energy from water

Even filling a bathtub can be a joy. Relish the relaxing properties of water even before you dip in.

### Don't miss it

1. Bathtub taps for mounting onto bathtubs with sufficient width and flatness of the rim.
2. Suitable for bathtubs: NewDay, Rosa II, Rosa 95, LoveStory II, Asymmetric, Formy 01, Formy 01 Slim, City, Tap PU 026 suitable for: City/ City Slim, Formy 01, Freedom W, 10° and Ypsilon Wall.
3. FL 026 and CR 025 taps have a ceramic cartridge with 35 mm diameter. RS 025.00 and PU taps have a ceramic cartridge with 40 mm diameter. WF 025 tap has a ceramic diverter with 23 mm diameter.
4. Flexi connecting hoses: RS 025 and CR 025 with G3/8" thread and 370 mm length; WF 025 and PU 026 with 400 mm length; FL 026 with 450 mm length.
5. Hand shower hoses are equipped with a weight for easier retraction. Shower hose length 180 cm, for PU 026 and FL 026 in length 175 cm.

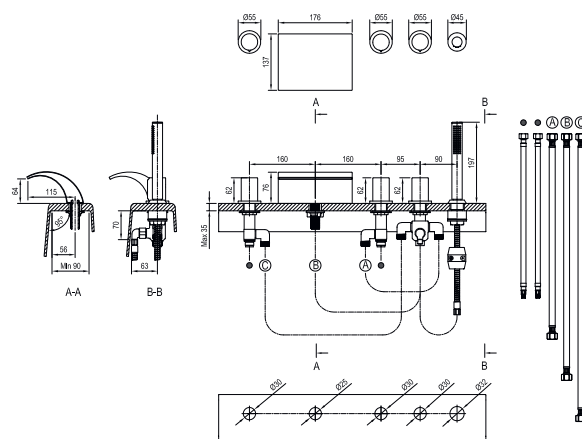
Bathtubs

→ 302

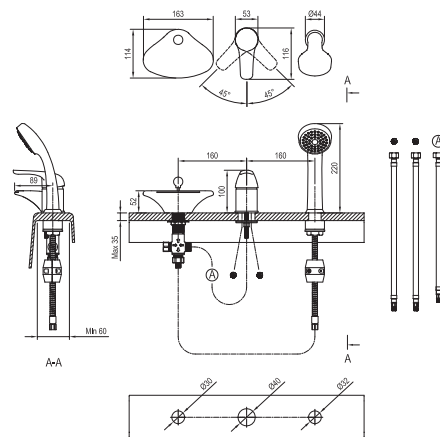
Detergents

→ 693





Order No.	Type	Design	Flow rate	Size of packaging (cm)	Gross weight (kg)
<b>X070060</b>	WF 025.00CR 5-hole deck-mounted bathtub tap with shower set, waterfall	chrome	19/11	48,5x31x8,5	5,2



Order No.	Type	Design	Flow rate	Size of packaging (cm)	Gross weight (kg)
<b>X07P003</b>	RS 025.00CR 3-hole deck-mounted bathtub tap with shower set, waterfall	chrome	19/12	48x31x7,5	3,7

Flow rate values: bathtub/hand shower  
Flow rate is given in l/min at a pressure of 0.3 MPa. Products are delivered within 14 days as standard.

5

5-YEAR WARRANTY ON TAPS



RAVAK CLEANER CHROME

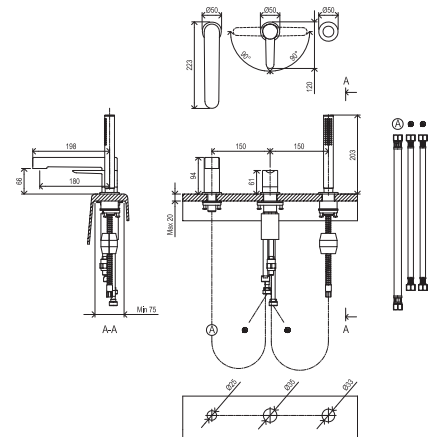


EASYCLEAN

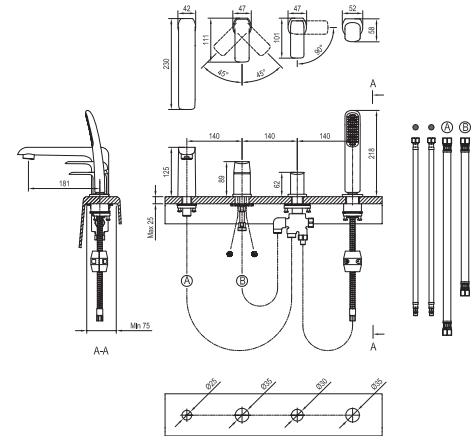


EASYCLEAN

# Deck-mounted bathtub taps



Order No.	Type	Design	Flow rate	Size of packaging (cm)	Gross weight (kg)
<b>X070142</b>	PU 026.00CR 3-hole deck-mounted bathtub tap with shower set	chrome	21/9	48,5x31x7,5	4,0
<b>X070186</b>	PU 026.20BLM 3-hole deck-mounted bathtub tap with shower set	matt black	21/9	48,5x31x7,5	2,2



Order No.	Type	Design	Flow rate	Size of packaging (cm)	Gross weight (kg)
<b>X070120</b>	FL 026.00CR 4-hole deck-mounted bathtub tap with shower set	chrome	18/11	48,5x31x7,5	4,8
<b>X070176</b>	FL 026.20BLM 4-hole deck-mounted bathtub tap with shower set	matt black	18/11	48,5x31x7,5	4,8

Flow rate values: bathtub/hand shower  
Flow rate is given in l/min at a pressure of 0.3 MPa. Products are delivered within 14 days as standard.

# Thermostatic taps and shower columns



Safety thanks to the CoolFeel function and protection against scalding



The handle prevents accidental change in water temperature caused by bumping into the lever



Comfortable solution for showering with a hand or overhead shower

## Constant water temperature

Thermostatic taps can balance fluctuations in water pressure and temperature, ensuring that the water in your shower is exactly the temperature you have set. Try it once and you will never want another.

### Don't miss it

- 1.** All thermostatic taps feature a ceramic switch to regulate flow rate and a thermostatic cartridge to control water temperature.
- 2.** Thermo taps can balance fluctuations in water pressure and temperature, ensuring that the water in your shower is exactly the temperature you have set.
- 3.** Thermo 300 taps feature temperature control on the left that prevents excessive heating of the tap's surface (CoolFeel).
- 4.** The shower column pack includes adjustable segments to compensate for uneven wall surfaces.
- 5.** The safety button on the thermostat controller prevents water from exceeding 38 °C.

Shower enclosures → 18

Detergents → 693



5-YEAR WARRANTY ON TAPS



CONSTANT TEMPERATURE



FAST REACTION



SCALD PROTECTION

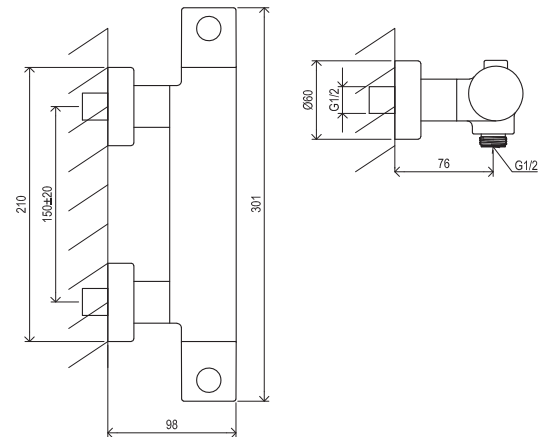
# Thermo and dual systems



COOLFEEL



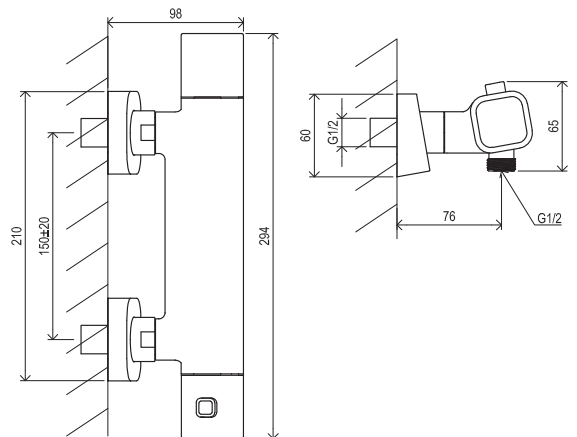
CONSTANT TEMPERATURE



Order No.	Type	Design	Flow rate	Size of packaging (cm)	Gross weight (kg)
<b>X070116</b>	PU 033.00CR Thermostatic wall-mounted shower tap without shower set	chrome	22	28x22x7,5	2,3
<b>X070188</b>	PU 033.20BLM Thermostatic wall-mounted shower tap without shower set	mat black	22	28x22x7,5	1,9



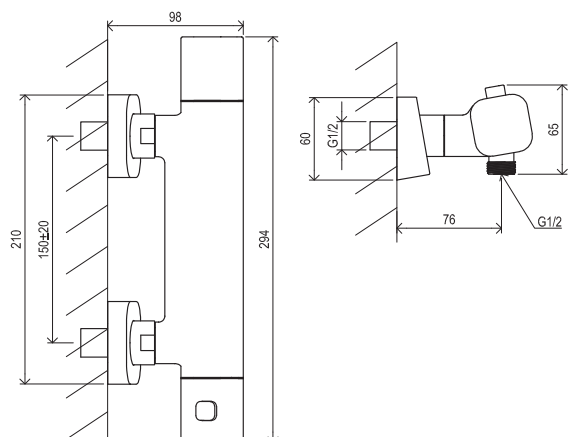
COOLFEEL



Order No.	Type	Design	Flow rate	Size of packaging (cm)	Gross weight (kg)
<b>X070102</b>	TD 033.00CR Thermostatic wall-mounted shower tap without shower set	chrome	22	34x18x6,5	2,7

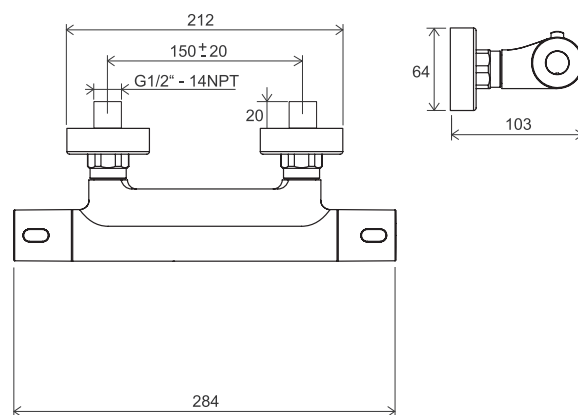


COOLFEEL

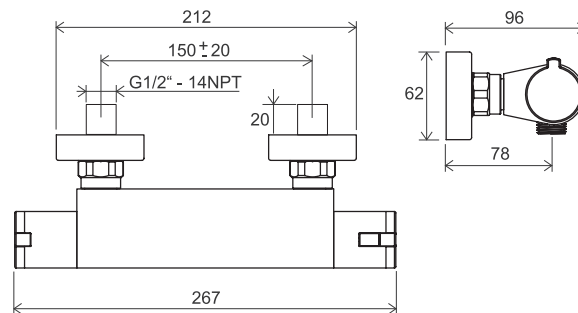


Order No.	Type	Design	Flow rate	Size of packaging (cm)	Gross weight (kg)
<b>X070140</b>	TD F 033.00CR Thermostatic wall-mounted shower tap without shower set	chrome	21	34x18x6,5	2,6
<b>X070154</b>	TD F 033.20BLM Thermostatic wall-mounted shower tap without shower set	mat black	21	34x18x6,5	2,7

Flow rate is given in l/min at a pressure of 0.3 MPa. Products are delivered within 14 days as standard.



Order No.	Type	Design	Flow rate	Size of packaging (cm)	Gross weight (kg)
<b>X070096</b>	TE 033.00CR Thermostatic wall-mounted shower tap without shower set	chrome	24	34x18x6,5	2,0



Order No.	Type	Design	Flow rate	Size of packaging (cm)	Gross weight (kg)
<b>X070051</b>	TE 072.00CR Thermostatic wall-mounted shower tap without shower set	chrome	23	28x18x7,5	1,8

5

5-YEAR  
WARRANTY  
ON TAPS

38°

CONSTANT  
TEMPERATUREFAST  
REACTION

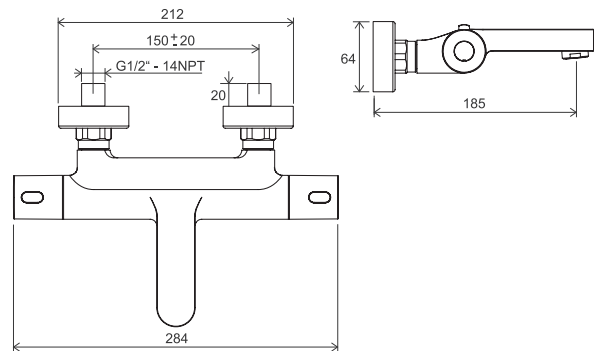
100°

SCALD  
PROTECTION

# Thermo and dual systems



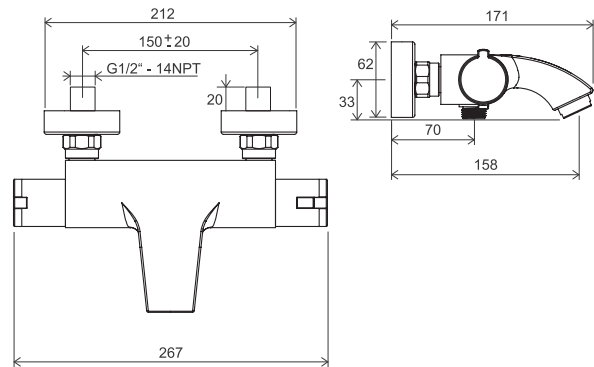
EASYSKIN



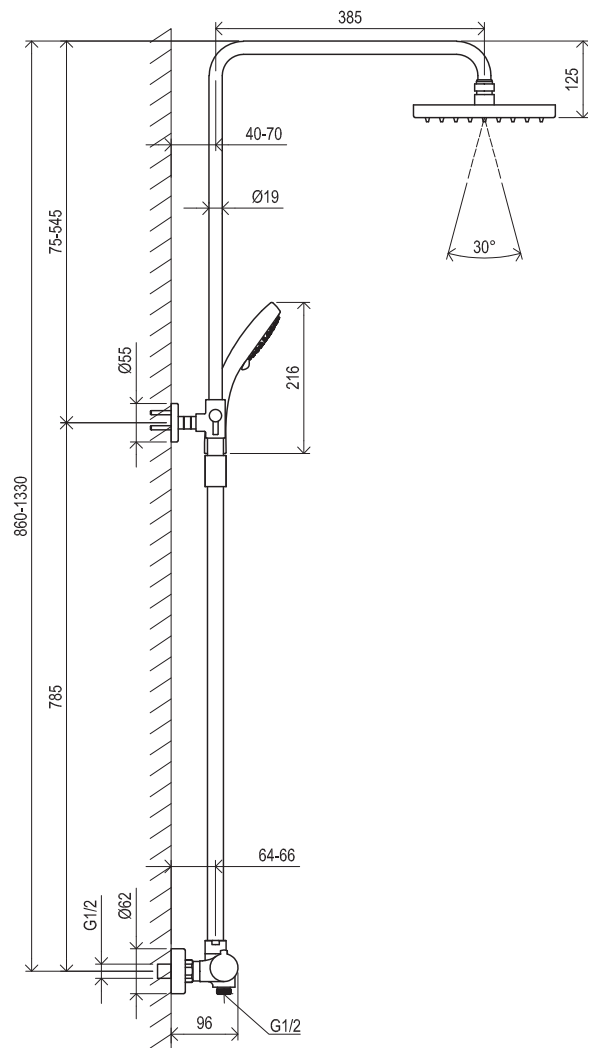
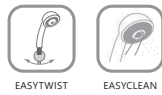
Order No.	Type	Design	Flow rate	Size of packaging (cm)	Gross weight (kg)
<b>X070097</b>	TE 023.00CR Thermostatic wall-mounted bathtub tap without shower set	chrome	21/22	33,5x24,5x7,5	2,6



EASYSKIN



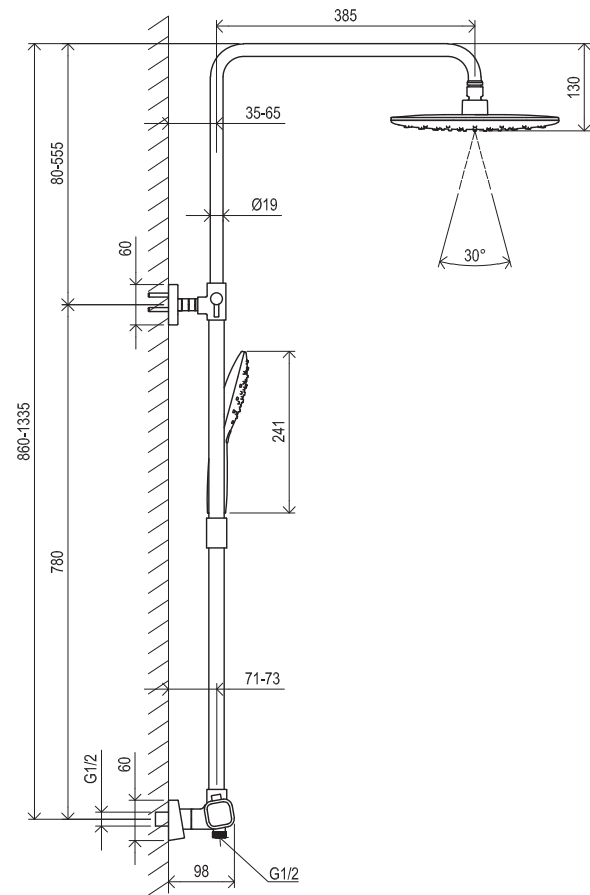
Order No.	Type	Design	Flow rate	Size of packaging (cm)	Gross weight (kg)
<b>X070046</b>	TE 082.00CR Thermostatic wall-mounted bathtub tap without shower set	chrome	21/26	28,5x18x7,5	2,4



Order No.	Type	Design	Flow rate	Size of packaging (cm)	Gross weight (kg)
<b>X070058</b>	TE 091.00CR Thermostatic shower column, adjustable, with shower set	chrome	19/12	89x46x15	5,3

**5**5-YEAR  
WARRANTY  
ON TAPS**38°**CONSTANT  
TEMPERATURE**FAST  
REACTION**FAST  
REACTION**100°**SCALD  
PROTECTION

# Thermo and dual systems



EASYCLEAN



AIR



COOLFEEL



EASYTWIST

Order No.	Type	Design	Flow rate	Size of packaging (cm)	Gross weight (kg)
<b>X070103</b>	TD 091.00CR Thermostatic shower column, adjustable, with shower set	chrome	14/11	89x46x15	6,5

Flow rate values: TD 091 head/hand shower  
Flow rate is given in l/min at a pressure of 0.3 MPa. Products are delivered within 14 days as standard.





5-YEAR WARRANTY ON TAPS



CONSTANT TEMPERATURE



FAST REACTION



SCALD PROTECTION

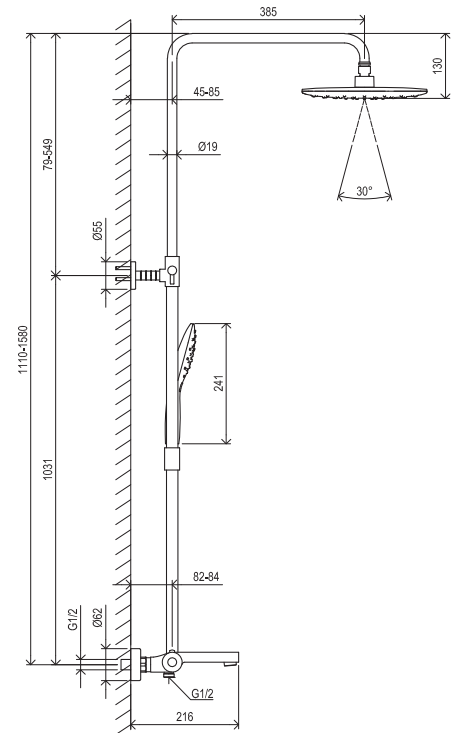


COOLFEEL

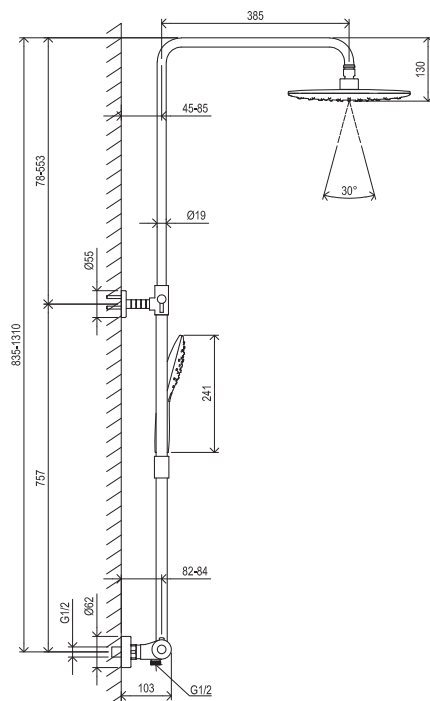


AIR

# Thermo and dual systems

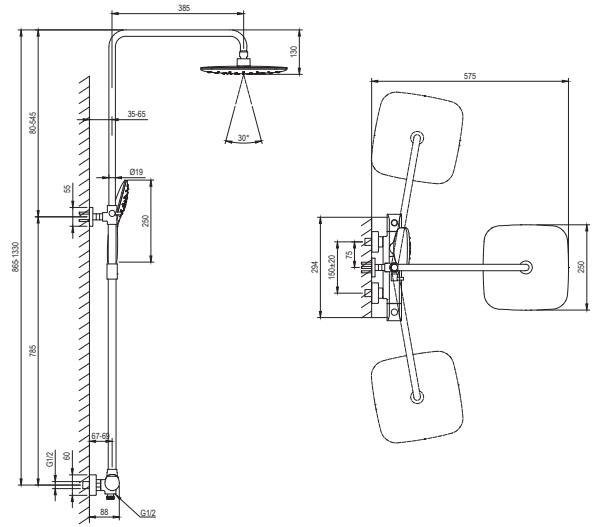


Order No.	Type	Design	Flow rate	Size of packaging (cm)	Gross weight (kg)
<b>X070098</b>	TE 092.00CR/WH Thermostatic shower column with bath spout, adjustable, with shower set/white	chrome/white	17/12/10	104x45x9,5	7,4
<b>X070163</b>	TE 092.01CR Thermostatic shower column with bath spout, adjustable, with shower set	chrome	17/12/10	104x45x9,5	7,4
<b>X070444</b>	TE 092.20BLM Thermostatic shower column with bath spout, adjustable, with shower set		17/12/10	104x45x9,5	7,4

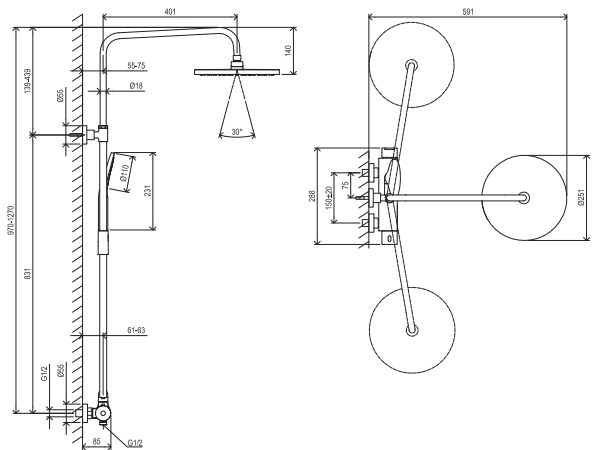


Order No.	Type	Design	Flow rate	Size of packaging (cm)	Gross weight (kg)
<b>X070099</b>	TE 093.00CR/WH Thermostatic shower column, adjustable, with shower set/white	chrome/white	14/11	104x45x9,5	5,8
<b>X070164</b>	TE 093.01CR Thermostatic shower column, adjustable, with shower set	chrome	14/11	104x45x9,5	5,8

Flow rate values: TE 092 bathtub/head/hand shower Flow rate values: TE 093 head/hand shower Flow rate is given in l/min at a pressure of 0.3 MPa. Products are delivered within 14 days as standard.



Order No.	Type	Design	Flow rate	Size of packaging (cm)	Gross weight (kg)
<b>X070442</b>	FL 091.00CR Thermostatic shower column, adjustable, with shower set		16/10	104x45x9,5	7,1
<b>X070443</b>	FL 091.20BLM Thermostatic shower column, adjustable, with shower set		16/10	104x45x9,5	7,1



Order No.	Type	Design	Flow rate	Size of packaging (cm)	Gross weight (kg)
<b>X07P643</b>	DS 091.00CR Non-thermostatic shower column, adjustable, with shower set	chrome	14/8	87x35x9	5,6

Flow rate values: DS 091.00 head/hand shower Flow rate values: DS 090 head/hand shower  
Flow rate is given in l/min at a pressure of 0.3 MPa. Products are delivered within 14 days as standard.



# Bidet showers



Easy-to-install washbasin tap with shower



Solution for toilets without a washbasin



CONCEPTS

Part of the comprehensive Chrome concept

## Ideal solution

Taps with bidet showers are ideal for spaces where a traditional bidet would not fit.

### Don't miss it

- 1.** Wall-mounted valve with a bidet shower – a practical solution for toilet rooms without a washbasin. Ideal when combined with a concealed tap with a non-return valve.
- 2.** CR II 112 taps have a ceramic cartridge with 35 mm diameter.
- 3.** The wall-mounted valve with hand bidet shower is designed primarily for a toilet room without a washbasin and is to be combined with a concealed tap and 120 cm hose.
- 4.** CR 112 and BM 011 include a 150 cm long shower hose. BM 040 has a 120 cm long shower hose.
- 5.** The CR 112 tap has an adjustable aerator that directs the water stream wherever you need.

Toilets

→ 510

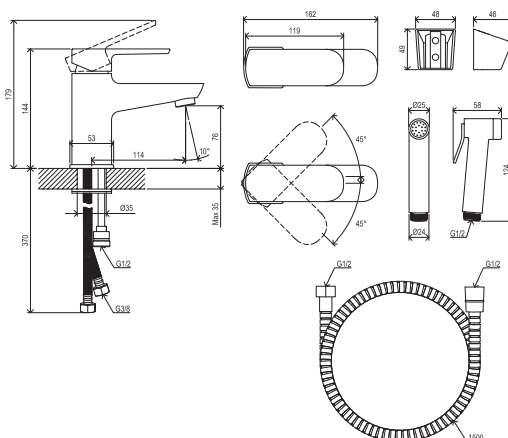
Extras

→ 672

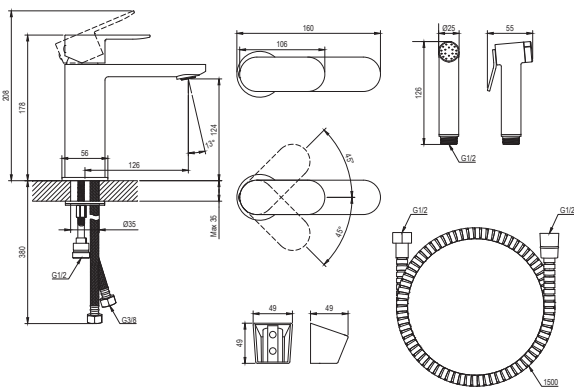
Detergents

→ 693

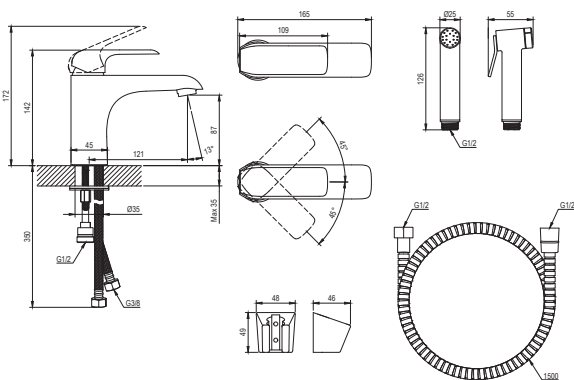
# Bidet showers



Order No.	Type	Design	Flow rate	Size of packaging (cm)	Gross weight (kg)
<b>X070165</b>	BM 011.01CR Washbasin tap 144 mm, with bidet shower	chrome	11/5	28x18x10,5	2,5



Order No.	Type	Design	Flow rate	Size of packaging (cm)	Gross weight (kg)
<b>X070450</b>	CR II 112.00CR Washbasin tap with bidet shower 175 mm, without pop-up waste	chrome	4/5	28,5x18x11	2,3
<b>X070462</b>	CR II 112.20BL Washbasin tap with bidet shower 175 mm, without pop-up waste	black	4/5	28,5x18x11	2,3



Order No.	Type	Design	Flow rate	Size of packaging (cm)	Gross weight (kg)
<b>X070438</b>	FL 112.00CR Washbasin tap with bidet shower 150 mm, without pop-up waste		7/5	28x18x10	2,2
<b>X070439</b>	FL 112.20BLM Washbasin tap with bidet shower 150 mm, without pop-up waste		7/5	28x18x10	2,2

Flow rate values: washbasin/hand shower  
Flow rate is given in l/min at a pressure of 0.3 MPa. Products are delivered within 14 days as standard.



5

5-YEAR WARRANTY ON TAPS



EASYCLEAN

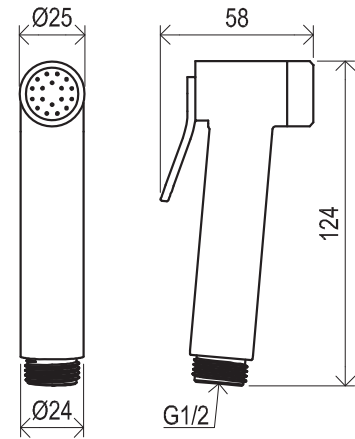


RAVAK CLEANER CHROME

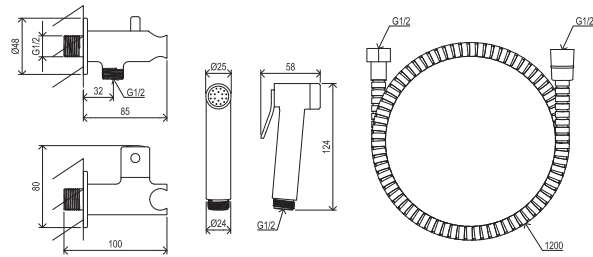
CuZn

METAL DESIGN

# Bidet showers



Order No.	Type	Design	Flow rate	Size of packaging (cm)	Gross weight (kg)
<b>X07P641</b>	963.00CR Bidet shower	chrome	5	6,4x6,4x13,1	0,2



Order No.	Type	Design	Flow rate	Size of packaging (cm)	Gross weight (kg)
<b>X070166</b>	BM 040.01CR Wall-mounted valve with bidet shower	chrome	5	28x18x7,5	0,9

Flow rate values: washbasin/hand shower  
Flow rate is given in l/min at a pressure of 0.3 MPa. Products are delivered within 14 days as standard.

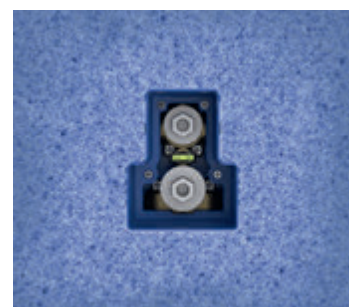
# R-box



Integrated spirit levels to simplify installation



Great flexibility of installation up to 37 mm. The plastic sleeve can be cut to the required installation depth



Waterproof collar included

## Basic unit for concealed taps

Optimal solution for easy, precise installation of concealed taps with water distribution to one, two, or even three outlets.

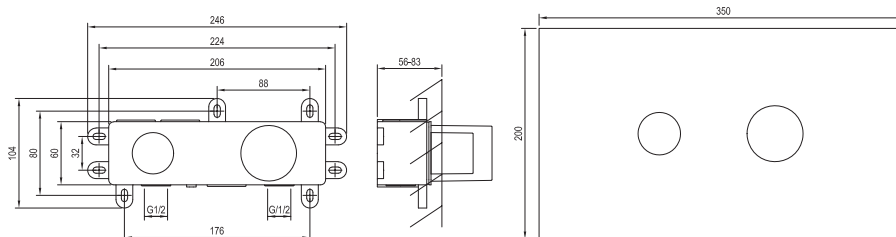
### Don't miss it

1. Each concealed tap includes the name of its corresponding R-box at the end of the product designation, so you can't go wrong when choosing one.
2. We offer a 10-year warranty on the R-Box basic body.
3. The top visible part (the tap itself) is installed once the bathroom is completely finished.

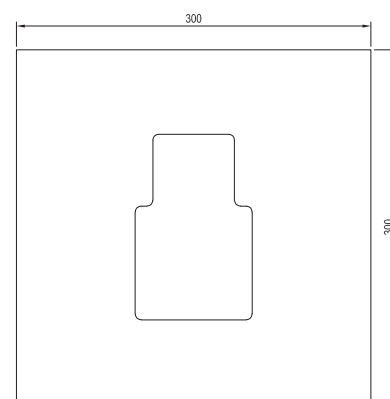
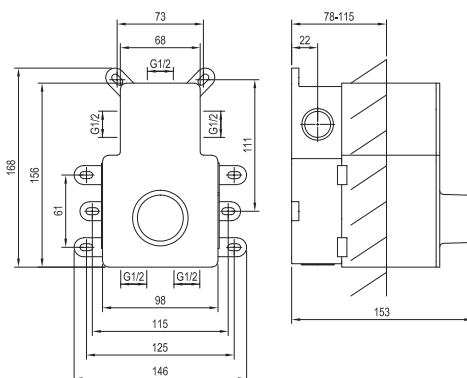
Shower enclosures → 18

Bathtubs → 302

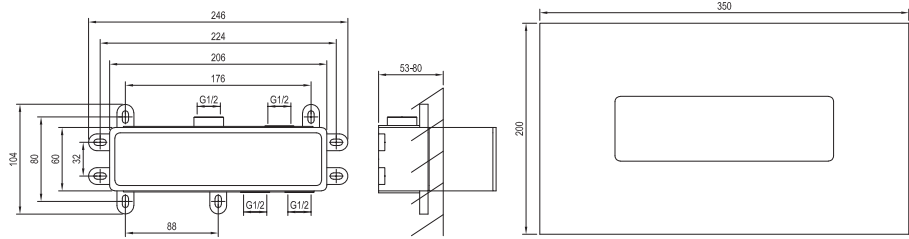
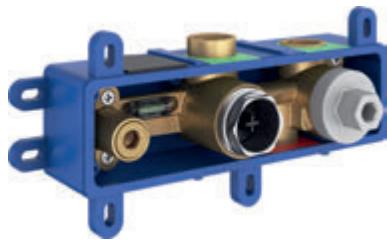
Detergents → 693



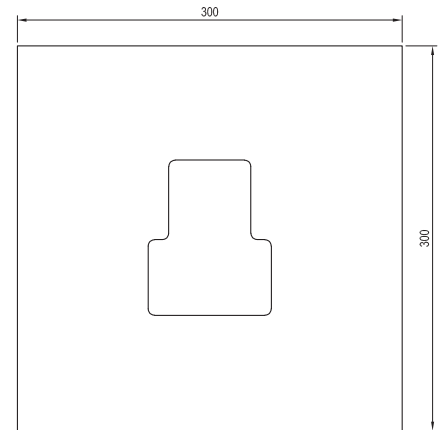
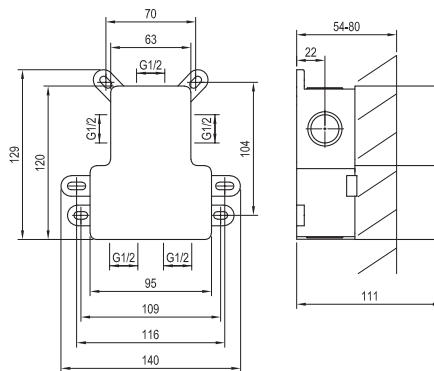
Order No.	Type	Design	Flow rate	Size of packaging (cm)	Gross weight (kg)
<b>X070231</b>	RB 07B.50 R-box Basin, basic unit for concealed washbasin taps	-		25,7x11x11,5	1,2
<b>X070198</b>	ES 019.00CR.O1.RB07B Concealed washbasin tap without basic unit	Chrome	5	32x22,5x8	0,9
<b>X070241</b>	ES 019.10WV.O1.RB07B Concealed washbasin tap without basic unit	White Velvet	5	32x22,5x8	0,9
<b>X070278</b>	ES 019.20BLM.O1.RB07B Concealed washbasin tap without basic unit	Black Matt	5	32x22,5x8	0,9
<b>X070315</b>	ES 019.20GB.O1.RB07B Concealed washbasin tap without basic unit	Graphite Brushed	5	32x22,5x8	0,9
<b>X070352</b>	ES 019.60RGB.O1.RB07B Concealed washbasin tap without basic unit	Rose Gold Brushed	5	32x22,5x8	0,9
<b>X070602</b>	ES 019.60GLB.O1.RB07B Concealed washbasin tap without basic unit	Gold Brushed	5	32x22,5x8	0,9
<b>X070212</b>	EL 019.00CR.O1.RB07B Concealed washbasin tap without basic unit	Chrome	5	32x22,5x8	1,7
<b>X070255</b>	EL 019.10WV.O1.RB07B Concealed washbasin tap without basic unit	White Velvet	5	32x22,5x8	1,7
<b>X070292</b>	EL 019.20BLM.O1.RB07B Concealed washbasin tap without basic unit	Black Matt	5	32x22,5x8	1,7
<b>X070329</b>	EL 019.20GB.O1.RB07B Concealed washbasin tap without basic unit	Graphite Brushed	5	32x22,5x8	1,7
<b>X070366</b>	EL 019.60RGB.O1.RB07B Concealed washbasin tap without basic unit	Rose Gold Brushed	5	32x22,5x8	1,7



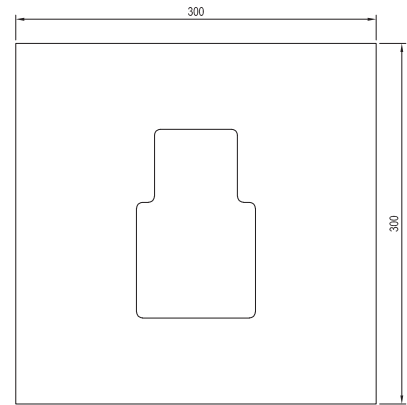
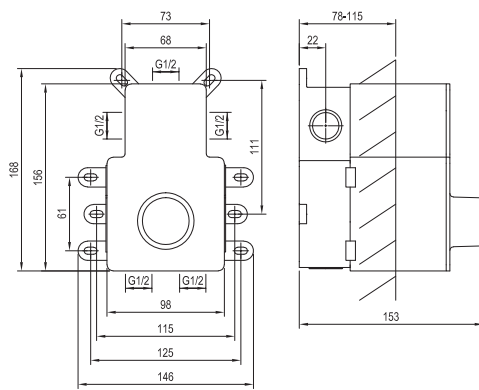
Order No.	Type	Design	Flow rate	Size of packaging (cm)	Gross weight (kg)
<b>X070232</b>	RB 07C.50 R-box Termo, basic unit for concealed thermostatic taps	-		15,7x17x15,7	2,7
<b>X070206</b>	ES 063.00CR.O2.RB07C 2-way thermostatic concealed tap without basic unit	Chrome	22/22	26x15x7,5	1,0
<b>X070249</b>	ES 063.10WV.O2.RB07C 2-way thermostatic concealed tap without basic unit	White Velvet	22/22	26x15x7,5	1,0
<b>X070286</b>	ES 063.20BLM.O2.RB07C 2-way thermostatic concealed tap without basic unit	Black Matt	22/22	26x15x7,5	1,0
<b>X070323</b>	ES 063.20GB.O2.RB07C 2-way thermostatic concealed tap without basic unit	Graphite Brushed	22/22	26x15x7,5	1,0
<b>X070360</b>	ES 063.60RGB.O2.RB07C 2-way thermostatic concealed tap without basic unit	Rose Gold Brushed	22/22	26x15x7,5	1,0
<b>X070610</b>	ES 063.60GLB.O2.RB07C 2-way thermostatic concealed tap without basic unit	Gold Brushed	22/22	26x15x7,5	1,2
<b>X070209</b>	ES 067.00CR.O3.RB07C 3-way thermostatic concealed tap without basic unit	Chrome	22/22/22	26x15x7,5	1,0
<b>X070252</b>	ES 067.10WV.O3.RB07C 3-way thermostatic concealed tap without basic unit	White Velvet	22/22/22	26x15x7,5	1,0
<b>X070289</b>	ES 067.20BLM.O3.RB07C 3-way thermostatic concealed tap without basic unit	Black Matt	22/22/22	26x15x7,5	1,0
<b>X070326</b>	ES 067.20GB.O3.RB07C 3-way thermostatic concealed tap without basic unit	Graphite Brushed	22/22/22	26x15x7,5	1,0
<b>X070363</b>	ES 067.60RGB.O3.RB07C 3-way thermostatic concealed tap without basic unit	Rose Gold Brushed	22/22/22	26x15x7,5	1,0
<b>X070613</b>	ES 067.60GLB.O3.RB07C 3-way thermostatic concealed tap without basic unit	Gold Brushed	22/22/22	26x15x7,5	1,2



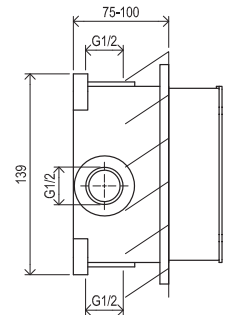
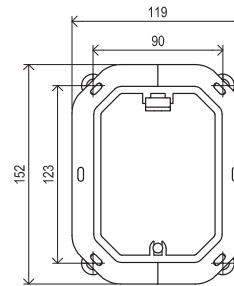
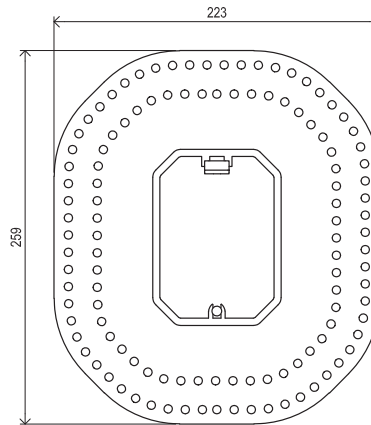
Order No.	Type	Design	Flow rate	Size of packaging (cm)	Gross weight (kg)
<b>X070233</b>	RB 07D.50 R-box Horizontal, basic unit for concealed taps	-		25,7x11x11,5	1,9
<b>X070207</b>	ES 065.00CR.O2.RB07D.+S 2-way concealed tap without basic unit, with shower set	Chrome	10/16	32x22,5x8	1,7
<b>X070250</b>	ES 065.10WV.O2.RB07D.+S 2-way concealed tap without basic unit, with shower set	White Velvet	10/16	32x22,5x8	1,7
<b>X070287</b>	ES 065.20BLM.O2.RB07D.+S 2-way concealed tap without basic unit, with shower set	Black Matt	10/16	32x22,5x8	1,7
<b>X070324</b>	ES 065.20GB.O2.RB07D.+S 2-way concealed tap without basic unit, with shower set	Graphite Brushed	10/16	32x22,5x8	1,7
<b>X070361</b>	ES 065.60RGB.O2.RB07D.+S 2-way concealed tap without basic unit, with shower set	Rose Gold Brushed	10/16	32x22,5x8	1,7
<b>X070611</b>	ES 065.60GLB.O2.RB07D.+S 2-way concealed tap without basic unit, with shower set	Gold Brushed	10/16	32x22,5x8	2,0
<b>X070202</b>	ES 068.00CR.O3.RB07D.+S 3-way concealed tap without basic unit, with shower set	Chrome	10/17/16	32x22,5x8	1,7
<b>X070245</b>	ES 068.10WV.O3.RB07D.+S 3-way concealed tap without basic unit, with shower set	White Velvet	10/17/16	32x22,5x8	1,7
<b>X070282</b>	ES 068.20BLM.O3.RB07D.+S 3-way concealed tap without basic unit, with shower set	Black Matt	10/17/16	32x22,5x8	1,7
<b>X070319</b>	ES 068.20GB.O3.RB07D.+S 3-way concealed tap without basic unit, with shower set	Graphite Brushed	10/17/16	32x22,5x8	1,7
<b>X070356</b>	ES 068.60RGB.O3.RB07D.+S 3-way concealed tap without basic unit, with shower set	Rose Gold Brushed	10/17/16	32x22,5x8	1,7
<b>X070606</b>	ES 068.60GLB.O3.RB07D.+S 3-way concealed tap without basic unit, with shower set	Gold Brushed	10/17/16	32x22,5x8	2,0
<b>X070220</b>	EL 065.00CR.O2.RB07D.+S 2-way concealed tap without basic unit, with shower set	Chrome	10/18	32x22,5x8	1,7
<b>X070263</b>	EL 065.10WV.O2.RB07D.+S 2-way concealed tap without basic unit, with shower set	White Velvet	10/18	32x22,5x8	1,7
<b>X070300</b>	EL 065.20BLM.O2.RB07D.+S 2-way concealed tap without basic unit, with shower set	Black Matt	10/18	32x22,5x8	1,7
<b>X070337</b>	EL 065.20GB.O2.RB07D.+S 2-way concealed tap without basic unit, with shower set	Graphite Brushed	10/18	32x22,5x8	1,7
<b>X070374</b>	EL 065.60RGB.O2.RB07D.+S 2-way concealed tap without basic unit, with shower set	Rose Gold Brushed	10/18	32x22,5x8	1,7
<b>X070216</b>	EL 068.00CR.O3.RB07D.+S 3-way concealed tap without basic unit, with shower set	Chrome	10/17/18	32x22,5x8	1,7
<b>X070259</b>	EL 068.10WV.O3.RB07D.+S 3-way concealed tap without basic unit, with shower set	White Velvet	10/17/18	32x22,5x8	1,7
<b>X070296</b>	EL 068.20BLM.O3.RB07D.+S 3-way concealed tap without basic unit, with shower set	Black Matt	10/17/18	32x22,5x8	1,7
<b>X070333</b>	EL 068.20GB.O3.RB07D.+S 3-way concealed tap without basic unit, with shower set	Graphite Brushed	10/17/18	32x22,5x8	1,7
<b>X070370</b>	EL 068.60RGB.O3.RB07D.+S 3-way concealed tap without basic unit, with shower set	Rose Gold Brushed	10/17/18	32x22,5x8	1,7



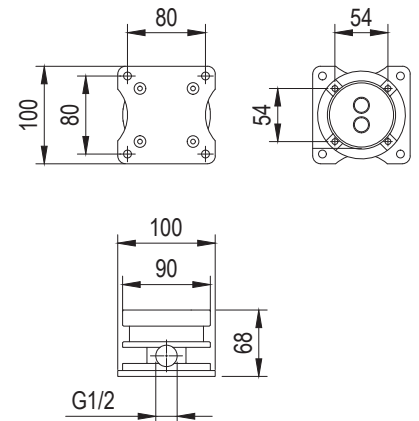
Order No.	Type	Design	Flow rate	Size of packaging (cm)	Gross weight (kg)
<b>X070234</b>	RB 07E.50 R-box Vertical O1/O2, basic unit for concealed taps	-		14,2x14x11,7	1,4
<b>X070208</b>	ES 065.00CR.O2.RB07E 2-way concealed tap without basic unit	Chrome	12/12	26x15x7,5	0,8
<b>X070251</b>	ES 065.10WV.O2.RB07E 2-way concealed tap without basic unit	White Velvet	12/12	26x15x7,5	0,8
<b>X070288</b>	ES 065.20BLM.O2.RB07E 2-way concealed tap without basic unit	Black Matt	12/12	26x15x7,5	0,8
<b>X070325</b>	ES 065.20GB.O2.RB07E 2-way concealed tap without basic unit	Graphite Brushed	12/12	26x15x7,5	0,8
<b>X070362</b>	ES 065.60RGB.O2.RB07E 2-way concealed tap without basic unit	Rose Gold Brushed	12/12	26x15x7,5	0,8
<b>X070612</b>	ES 065.60GLB.O2.RB07E 2-way concealed tap without basic unit	Gold Brushed	12/12	26x15x7,5	1,0
<b>X070221</b>	EL 065.00CR.O2.RB07E 2-way concealed tap without basic unit	Chrome	12/12	26x15x8	0,9
<b>X070264</b>	EL 065.10WV.O2.RB07E 2-way concealed tap without basic unit	White Velvet	12/12	26x15x8	0,9
<b>X070301</b>	EL 065.20BLM.O2.RB07E 2-way concealed tap without basic unit	Black Matt	12/12	26x15x8	0,9
<b>X070338</b>	EL 065.20GB.O2.RB07E 2-way concealed tap without basic unit	Graphite Brushed	12/12	26x15x8	0,9
<b>X070375</b>	EL 065.60RGB.O2.RB07E 2-way concealed tap without basic unit	Rose Gold Brushed	12/12	26x15x8	0,9



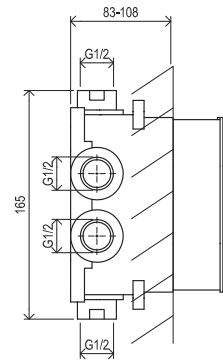
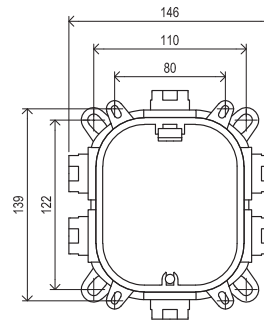
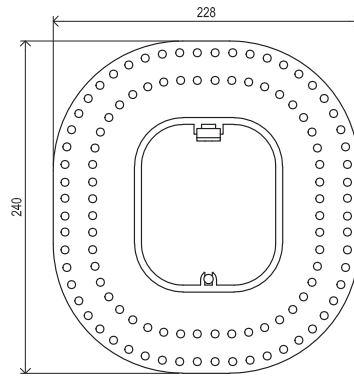
Order No.	Type	Design	Flow rate	Size of packaging (cm)	Gross weight (kg)
<b>X070235</b>	RB 07F.50 R-box Vertical O2/O3, basic unit for concealed taps	-		15,7x17x15,7	2,8
<b>X070203</b>	ES 068.00CR.O3.RB07F 3-way concealed tap without basic unit	Chrome	22/22/22	26x15x7,5	1,0
<b>X070246</b>	ES 068.10WV.O3.RB07F 3-way concealed tap without basic unit	White Velvet	22/22/22	26x15x7,5	1,0
<b>X070283</b>	ES 068.20BLM.O3.RB07F 3-way concealed tap without basic unit	Black Matt	22/22/22	26x15x7,5	1,0
<b>X070320</b>	ES 068.20GB.O3.RB07F 3-way concealed tap without basic unit	Graphite Brushed	22/22/22	26x15x7,5	1,0
<b>X070357</b>	ES 068.60RGB.O3.RB07F 3-way concealed tap without basic unit	Rose Gold Brushed	22/22/22	26x15x7,5	1,0
<b>X070607</b>	ES 068.60GLB.O3.RB07F 3-way concealed tap without basic unit	Gold Brushed	22/22/22	26x15x7,5	1,2
<b>X070217</b>	EL 068.00CR.O3.RB07F 3-way concealed tap without basic unit	Chrome	22/22/22	26x15x7,5	1,1
<b>X070260</b>	EL 068.10WV.O3.RB07F 3-way concealed tap without basic unit	White Velvet	22/22/22	26x15x7,5	1,1
<b>X070297</b>	EL 068.20BLM.O3.RB07F 3-way concealed tap without basic unit	Black Matt	22/22/22	26x15x7,5	1,1
<b>X070334</b>	EL 068.20GB.O3.RB07F 3-way concealed tap without basic unit	Graphite Brushed	22/22/22	26x15x7,5	1,1
<b>X070371</b>	EL 068.60RGB.O3.RB07F 3-way concealed tap without basic unit	Rose Gold Brushed	22/22/22	26x15x7,5	1,1



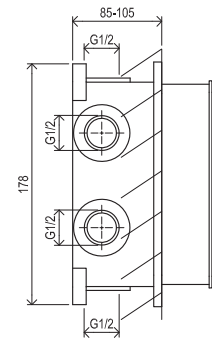
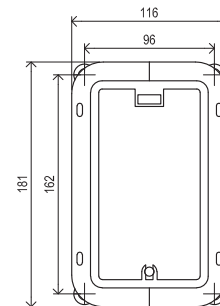
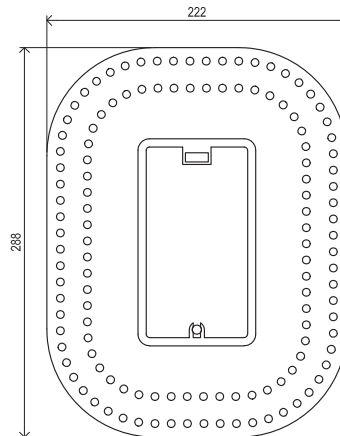
Order No.	Type	Design	Flow rate	Size of packaging (cm)	Gross weight (kg)
<b>X070052</b>	RB 070.50 R-box, basic unit for concealed taps	-		16x12x12	1,2
<b>X070136</b>	TD F 065.00CR.O2.RB070 2-way concealed tap without basic unit	chrome	21/21	21,5x18,5x10	1,9
<b>X070158</b>	TD F 065.20BLM.O2.RB070 2-way concealed tap without basic unit	matt black	21/21	21,5x18,5x10	1,9
<b>X070137</b>	TD F 066.00CR.O1.RB070 1-way concealed tap without basic unit	chrome	22	21,5x18,5x10	1,6
<b>X070159</b>	TD F 066.20BLM.O1.RB070 1-way concealed tap without basic unit	matt black	22	21,5x18,5x10	1,6
<b>X070070</b>	TD 065.00CR.O2.RB070 2-way concealed tap without basic unit	chrome	21/21	21,5x18,5x10	1,9
<b>X070071</b>	TD 066.00CR.O1.RB070 1-way concealed tap without basic unit	chrome	22	21,5x18,5x10	1,6
<b>X070056</b>	CR 065.00CR.O2.RB070 2-way concealed tap without basic unit	chrome	21/20	21x15,5x15	1,8
<b>X070057</b>	CR 066.00CR.O1.RB070 1-way concealed tap without basic unit	chrome	21	21x15,5x15	1,5
<b>X070088</b>	CL 065.00CR.O2.RB070 2-way concealed tap without basic unit	chrome	20/20	21,5x18,5x10	1,8
<b>X070089</b>	CL 066.00CR.O1.RB070 1-way concealed tap without basic unit	chrome	20	21,5x18,5x10	1,5



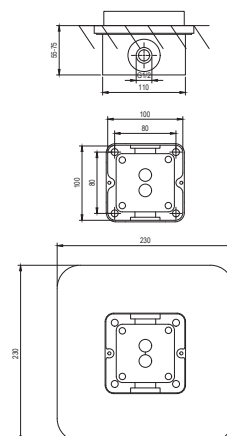
Order No.	Type	Design	Flow rate	Size of packaging (cm)	Gross weight (kg)
<b>X070516</b>	RB 07G.50 R-box Floor, basic unit for floor-mounted taps			11,5x12x8	1,9
<b>X070499</b>	ES 080.00CR.RB07G Floor-mounted bathtub tap without basic unit, with shower set	Chrome	13/10	127x32x20	12,3
<b>X070500</b>	ES 080.10WV.RB07G Floor-mounted bathtub tap without basic unit, with shower set	White Velvet	13/10	127x32x20	12,3
<b>X070501</b>	ES 080.20BLM.RB07G Floor-mounted bathtub tap without basic unit, with shower set	Black Matt	13/10	127x32x20	12,3
<b>X070502</b>	ES 080.20GB.RB07G Floor-mounted bathtub tap without basic unit, with shower set	Graphite Brushed	13/10	127x32x20	12,3
<b>X070503</b>	ES 080.60RGB.RB07G Floor-mounted bathtub tap without basic unit, with shower set	Rose Gold Brushed	13/10	127x32x20	12,3
<b>X070615</b>	ES 080.60GLB.RB07G Floor-mounted bathtub tap without basic unit, with shower set	Gold Brushed	13/10	127x32x20	12,3



Order No.	Type	Design	Flow rate	Size of packaging (cm)	Gross weight (kg)
<b>X070139</b>	RB 072.50 R-box Vari, basic unit for concealed taps	-		17,5x17,5x12,5	1,8
<b>X070123</b>	FL 065.00CR.O2.RB072 2-way concealed tap without basic unit	chrome	25/25	21,5x18,5x10	2,0
<b>X070124</b>	FL 066.00CR.O1.RB072 1-way concealed tap without basic unit	chrome	25	21,5x18,5x10	1,6



Order No.	Type	Design	Flow rate	Size of packaging (cm)	Gross weight (kg)
<b>X070074</b>	RB 071.50 R-box Multi, basic unit for concealed taps	-		20x12,5x11	1,8
<b>X070075</b>	CR 067.00CR.O3.RB071 3-way thermostatic concealed tap without basic unit	chrome	16/17/17	29x18x17	2,4



Order No.	Type	Design	Flow rate	Size of packaging (cm)	Gross weight (kg)
<b>X070427</b>	RB 07A.50 R-box Floor, basic unit for floor-mounted taps			13,5x13,5x10	2,1
<b>X070456</b>	CR II 080.00CR.RB07A Floor-mounted bathtub tap without basic unit, with shower set	chrome	25/11	80,5x18x22	8,2
<b>X070468</b>	CR II 080.20BL.RB07A Floor-mounted bathtub tap without basic unit, with shower set	black	25/11	80,5x18x22	8,1
<b>X070424</b>	FM 080.00CR.RB07A Floor-mounted bathtub tap without basic unit, with shower set		16/12	90x41x14	8,4
<b>X070435</b>	FM 080.20BL.RB07A Floor-mounted bathtub tap without basic unit, with shower set		16/12	90x41x14	8,4
<b>X070436</b>	FM 082.00CR.RB07A Floor-mounted bathtub tap without basic unit, with shower set		18/12	90x41x14	6,8
<b>X070437</b>	FM 082.20BL.RB07A Floor-mounted bathtub tap without basic unit, with shower set		18/12	90x41x14	6,8
<b>X070440</b>	FL 080.00CR.RB07A Floor-mounted bathtub tap without basic unit, with shower set		18/13	90x42x24	8,4
<b>X070441</b>	FL 080.20BLM.RB07A Floor-mounted bathtub tap without basic unit, with shower set		18/13	90x49x24	8,4
<b>X070537</b>	SG 080.00CR.RB07A Floor-mounted bathtub tap without basic unit, with shower set	chrome	19,5/14	96x37x14	6,7
<b>X070556</b>	SG 080.20BLM.RB07A Floor-mounted bathtub tap without basic unit, with shower set	matt black	19,5/14	96x37x14	6,8
<b>X070578</b>	SG 080.10WHM.RB07A Floor-mounted bathtub tap without basic unit, with shower set	matt white	19,5/14	96x37x14	6,9

10

10-YEAR  
WARRANTY  
ON R-BOX

**R-box**

---

## Notes

# Showers and accessories





AIR



EASYCLEAN



EASYTWIST



### Tailor-made care

For the care of chrome accessories, we have developed a special cleaner – RAVAK Cleaner Chrome. It gently and effectively removes grease and deposits without damaging the surface.

### Wide variety

The range includes both modern and classic shapes, as well as all items needed to fully equip a shower enclosure or bathtub.

### Thoughtful functionality

The range includes showers with Air function (water enriched with air), very low water consumption, hoses with EasyTwist – an anti-twist mechanism – and EasyClean – for simple cleaning of shower nozzles from limescale.



Head showers > 652



Outlet spouts > 657



Hand showers > 659



Hoses > 664



Shower sets > 662



Shower holders / outlets > 666



Shower bars > 670

# Showers and accessories



For combination with the colour options of Espirit and Eleganta taps



EasyClean ensures nozzles are easily cleaned of limescale



OneHand is a system for adjusting the hand shower holder with one hand

## High manufacturing quality

Top quality materials and chrome-plating guarantee long life.

### Don't miss it

- 1.** The Air function draws air into the shower, creating a more pleasant sensation of water on the skin while also helping to save water.
- 2.** Shower hoses (except for 911.00) feature the EasyTwist function, which prevents the hose from twisting by allowing the shower head to rotate freely.
- 3.** Showers in various designs – chrome-plated brass for product 957, chrome-plated steel or ABS plastic for products 982 and 984.
- 4.** 956 and 958 hand showers with Select feature.
- 5.** Shower head holders in chrome-plated brass or ABS plastic. 611 can be rotated 360°.

Taps → 538

Extras → 672

Shower channels → 298

Detergents → 693



RAVAK  
CLEANER  
CHROME



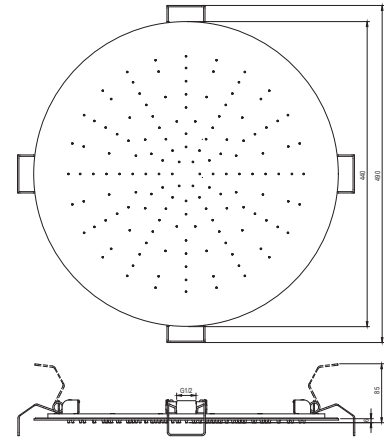
2-YEAR  
WARRANTY

# Showers and accessories



**CuZn**

METAL  
DESIGN

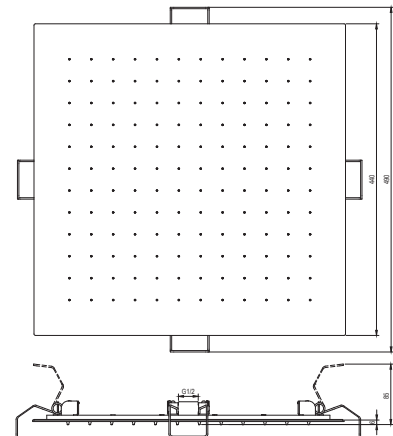


Order No.	Type	Design	Flow rate	Size of packaging (cm)	Gross weight (kg)
<b>X07P1258</b>	987.00CR Ceiling-mounted overhead shower, 440 mm	chrome		68x61x8	5,4



**CuZn**

METAL  
DESIGN



Order No.	Type	Design	Flow rate	Size of packaging (cm)	Gross weight (kg)
<b>X07P1263</b>	988.00CR Ceiling-mounted overhead shower, 440x440 mm	chrome		68x61x8	6,1



Order No.	Type	Design	Flow rate	Size of packaging (cm)	Gross weight (kg)
<b>X070517</b>	985.00CR Overhead shower, 250 mm	chrome		28,5x26,5x7,5	1,2
<b>X070518</b>	985.20BLM Overhead shower, 250 mm	matt black		28,5x26,5x7,5	1,2
<b>X070519</b>	985.10WHM Overhead shower, 250 mm	matt white		28,5x26,5x7,5	1,2



Order No.	Type	Design	Flow rate	Size of packaging (cm)	Gross weight (kg)
<b>X070520</b>	986.00CR Overhead shower, 250x250 mm	chrome		28,5x26,5x7,5	1,4
<b>X070521</b>	986.20BLM Overhead shower, 250x250 mm	matt black		28,5x26,5x7,5	1,4
<b>X070522</b>	986.10WHM Overhead shower, 250x250 mm	matt white		28,5x26,5x7,5	1,4



RAVAK  
CLEANER  
CHROME



2-YEAR  
WARRANTY

# Showers and accessories

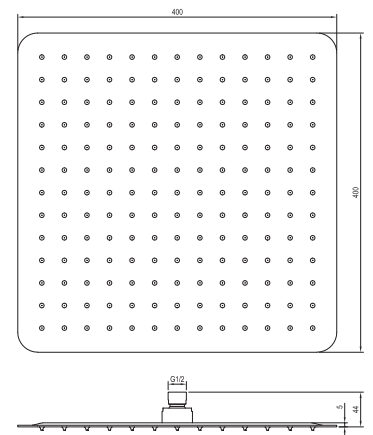
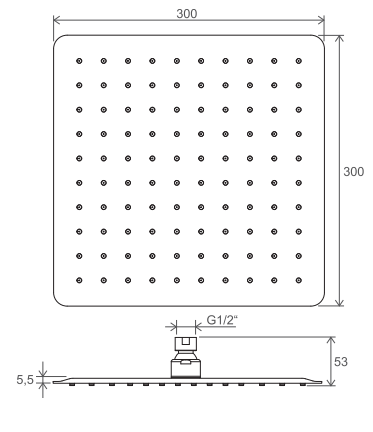
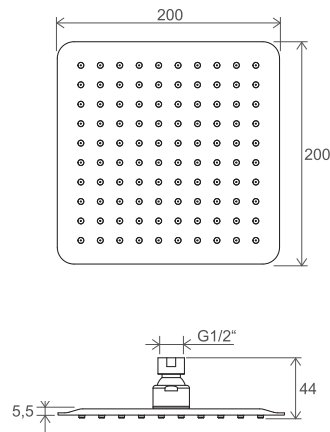


EASYCLEAN



CuZn

METAL  
DESIGN



Order No.	Type	Design	Flow rate	Size of packaging (cm)	Gross weight (kg)
<b>X07P016</b>	982.00CR Overhead shower, 300x300 mm	chrome	11	36x35x7	2,0
<b>X07P334</b>	982.01CR Overhead shower, 200x200 mm	chrome	11	26x25x7	0,9
<b>X07P666</b>	982.02CR Overhead shower, 400x400 mm	chrome	10	42,5x40,6x7,3	2,9

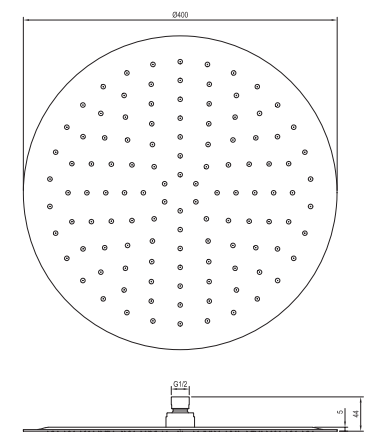
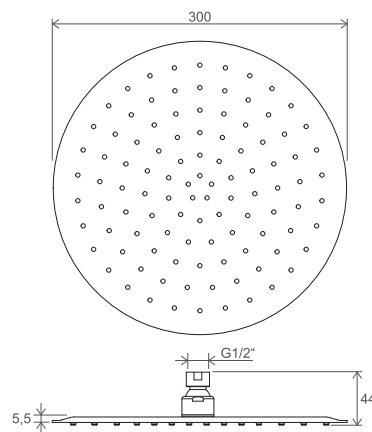


EASYCLEAN



CuZn

METAL  
DESIGN



Order No.	Type	Design	Flow rate	Size of packaging (cm)	Gross weight (kg)
<b>X07P336</b>	984.00CR Overhead shower, 300 mm	chrome	11	36x35x7	1,6
<b>X07P667</b>	984.02CR Overhead shower, 400 mm	chrome	10	42,5x40,6x7,3	2,3

Flow rate is given in l/min at a pressure of 0.3 MPa. Products are delivered within 14 days as standard.



Order No.	Type	Design	Flow rate	Size of packaging (cm)	Gross weight (kg)
<b>X07P687</b>	980.10WV Overhead shower, 250 mm	White Velvet	12	27x28x8	1,5
<b>X07P675</b>	980.20BLM Overhead shower, 250 mm	Black Matt	12	27x28x8	1,5
<b>X07P699</b>	980.20GB Overhead shower, 250 mm	Graphite Brushed	12	27x28x8	1,5
<b>X07P711</b>	980.60RGB Overhead shower, 250 mm	Rose Gold Brushed	12	27x28x8	1,5
<b>X07P1238</b>	980.60GLB Overhead shower, 250 mm	Gold Brushed		27x28x8	1,5



Order No.	Type	Design	Flow rate	Size of packaging (cm)	Gross weight (kg)
<b>X07P574</b>	983.00CR Overhead shower, 250x250 mm	chrome	17	27x26x7,5	1,0
<b>X07P347</b>	983.10CR/WH Overhead shower, 250x250 mm	chrome/white	13	27x26x7,5	1,0
<b>X07P570</b>	983.20BLM Overhead shower, 250x250 mm	matt black	17	27x26x7,5	1,0

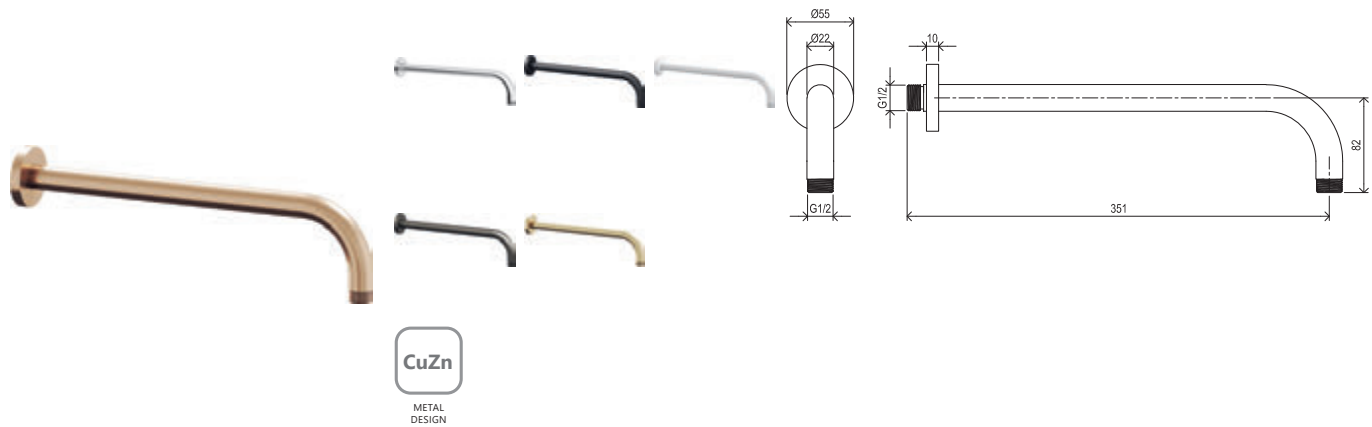


RAVAK  
CLEANER  
CHROME

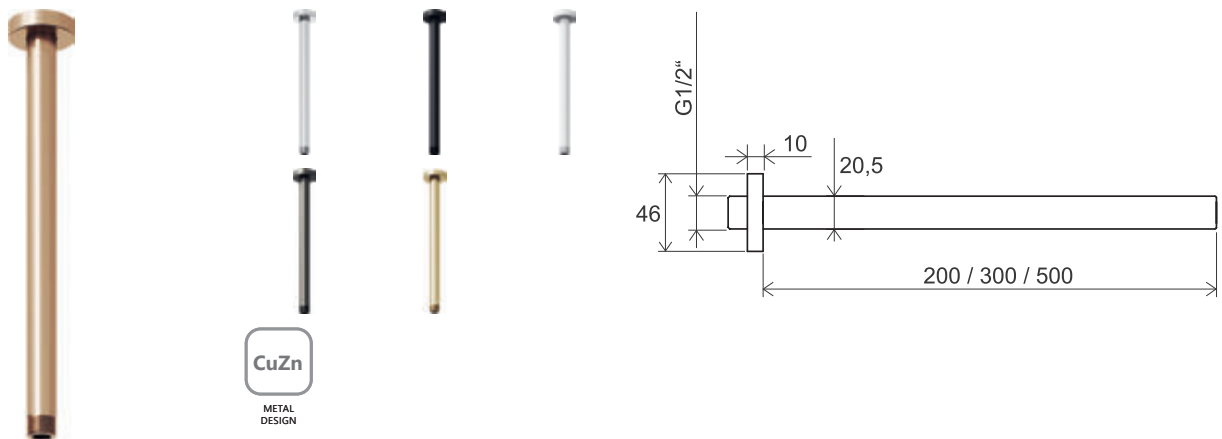


2-YEAR  
WARRANTY

# Showers and accessories

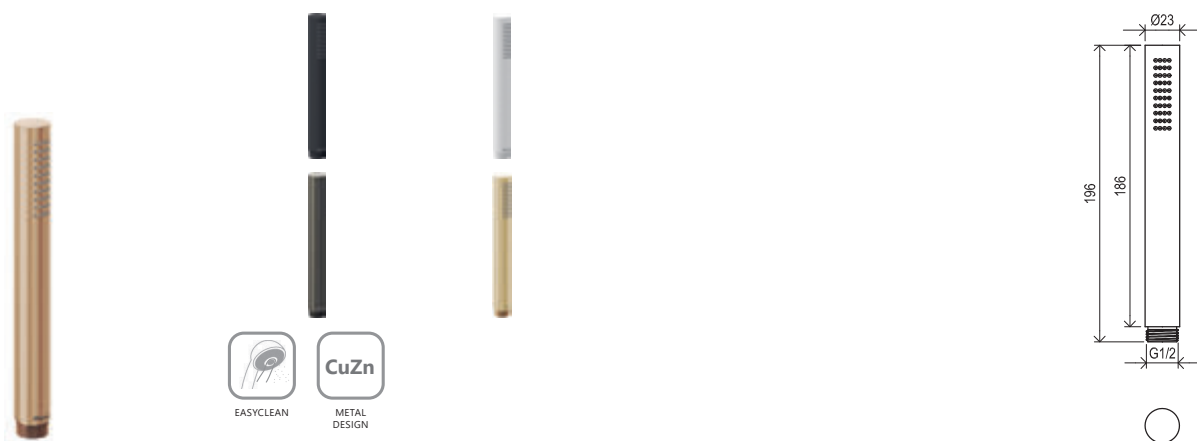


Order No.	Type	Design	Flow rate	Size of packaging (cm)	Gross weight (kg)
<b>X07P112</b>	702.00CR Wall shower arm	chrome		37x10x4,5	0,5
<b>X07P688</b>	702.11WV Wall shower arm	White Velvet		37x10x4,5	0,5
<b>X07P571</b>	702.20BLM Wall shower arm	matt black		37x10x4,5	0,5
<b>X07P676</b>	702.21BLM Wall shower arm	Black Matt		37x10x4,5	0,5
<b>X07P700</b>	702.21GB Wall shower arm	Graphite Brushed		37x10x4,5	0,5
<b>X07P712</b>	702.61RGB Wall shower arm	Rose Gold Brushed		37x10x4,5	0,5
<b>X07P1242</b>	702.60GLB Wall shower arm	Gold Brushed		10x4,5x37	0,5



Order No.	Type	Design	Flow rate	Size of packaging (cm)	Gross weight (kg)
<b>X07P178</b>	703.00CR Ceiling-mounted shower arm 20 cm	chrome		22x5x5	0,3
<b>X07P179</b>	704.00CR Ceiling-mounted shower arm 30 cm	chrome		32x5x5	0,4
<b>X07P180</b>	705.00CR Ceiling-mounted shower arm 50 cm	chrome		52x5x5	0,5
<b>X07P689</b>	704.11WV Ceiling-mounted shower arm 30 cm	White Velvet		32x5x5	0,4
<b>X07P677</b>	704.21BLM Ceiling-mounted shower arm 30 cm	Black Matt		32x5x5	0,4
<b>X07P701</b>	704.21GB Ceiling-mounted shower arm 30 cm	Graphite Brushed		32x5x5	0,4
<b>X07P713</b>	704.61RGB Ceiling-mounted shower arm 30 cm	Rose Gold Brushed		32x5x5	0,4
<b>X07P1243</b>	704.60GLB Ceiling-mounted shower arm 30 cm	Gold Brushed		7x5,5x8	0,4

Flow rate is given in l/min at a pressure of 0.3 MPa. Products are delivered within 14 days as standard.



Order No.	Type	Design	Flow rate	Size of packaging (cm)	Gross weight (kg)
<b>X07P682</b>	951.10WV Hand shower head	White Velvet	12	24x4x5,5	0,2
<b>X07P670</b>	951.20BLM Hand shower head	Black Matt	12	24x4x5,5	0,2
<b>X07P694</b>	951.20GB Hand shower head	Graphite Brushed	12	24x4x5,5	0,2
<b>X07P706</b>	951.60RGB Hand shower head	Rose Gold Brushed	12	24x4x5,5	0,2
<b>X07P1239</b>	951.60GLB Hand shower head	Gold Brushed		24x4x5,5	0,2



Order No.	Type	Design	Flow rate	Size of packaging (cm)	Gross weight (kg)
<b>X07P007</b>	957.00CR Hand shower head, 1 function	chrome	15	4x4x25	0,2
<b>X07P573</b>	957.20BLM Hand shower head, 1 function	matt black	14	4x4x25	0,2

Flow rate values: 958 Jet/Rain/Rain+Jet  
Flow rate is given in l/min at a pressure of 0.3 MPa. Products are delivered within 14 days as standard.



RAVAK  
CLEANER  
CHROME



2-YEAR  
WARRANTY

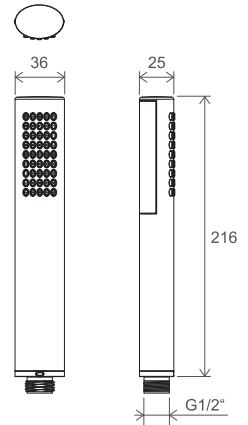
# Showers and accessories



EASYCLEAN



AIR



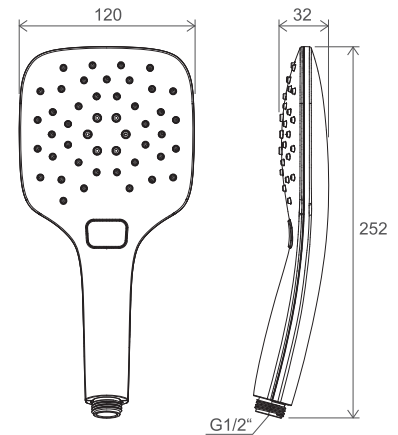
Order No.	Type	Design	Flow rate	Size of packaging (cm)	Gross weight (kg)
<b>X07P114</b>	954.00CR Hand shower head, 1 function	chrome	8	24x5x5	0,1



EASYCLEAN



AIR



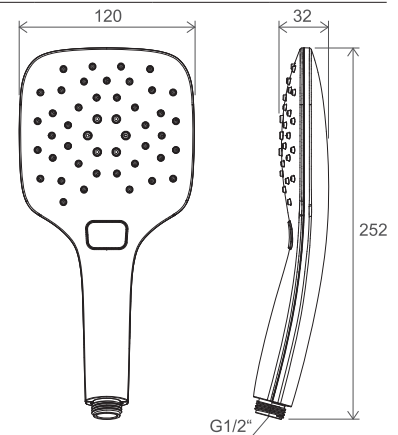
Order No.	Type	Design	Flow rate	Size of packaging (cm)	Gross weight (kg)
<b>X07P348</b>	958.00CR Hand shower head, 3 functions	chrome	6/10/13	12,5x6x26	0,3
<b>X07P349</b>	958.10CR/WH Hand shower head, 3 functions	chrome/white	6/10/13	12,5x6x26	0,3
<b>X07P569</b>	958.20BLM Hand shower head, 3 functions	matt black	6/10/13	12,5x6x26	0,3



EASYCLEAN



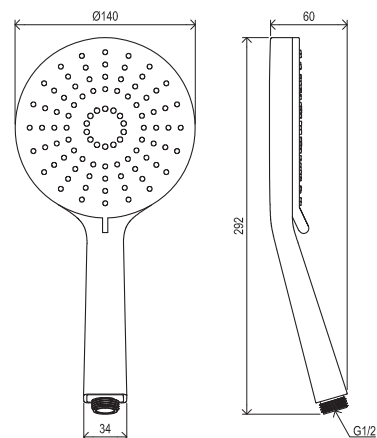
AIR



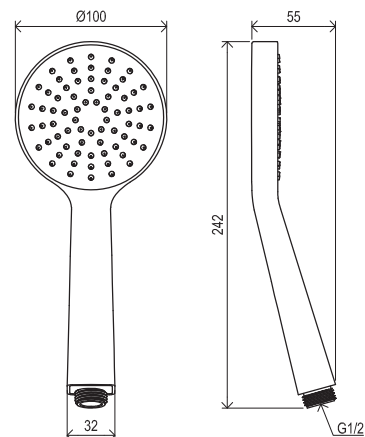
Order No.	Type	Design	Flow rate	Size of packaging (cm)	Gross weight (kg)
<b>X07P350</b>	959.00CR Hand shower head, 1 function	chrome	10	12,5x6x26	0,3
<b>X07P351</b>	959.10CR/WH Hand shower head, 1 function	chrome/white	10	12,5x6x26	0,3

Flow rate values: 958 Jet/Rain/Rain+Jet  
Flow rate is given in l/min at a pressure of 0.3 MPa. Products are delivered within 14 days as standard.

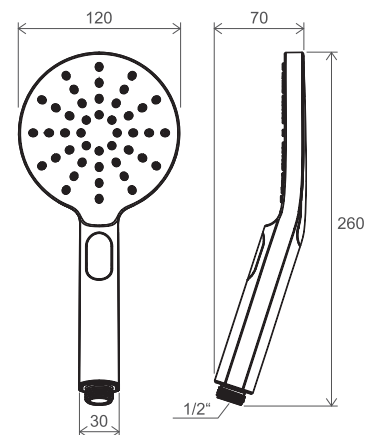
# ravak® Water taps



Order No.	Type	Design	Flow rate	Size of packaging (cm)	Gross weight (kg)
<b>X07P344</b>	961.00CR Hand shower head, 3 functions	chrome	13/15/16	31x15x5	0,4



Order No.	Type	Design	Flow rate	Size of packaging (cm)	Gross weight (kg)
<b>X07P343</b>	960.00CR Hand shower head, 1 function	chrome	30	26x11x5	0,2



Order No.	Type	Design	Flow rate	Size of packaging (cm)	Gross weight (kg)
<b>X07P233</b>	956.00CR Hand shower head, 3 functions	chrome	10/5/11	13x6x28	0,3

Flow rate values: 961 Jet/Rain/Rain+Jet  
 Flow rate values: 956 Rain/Mist/Rain+Mist  
 Flow rate is given in l/min at a pressure of 0.3 MPa. Products are delivered within 14 days as standard.



RAVAK  
CLEANER  
CHROME

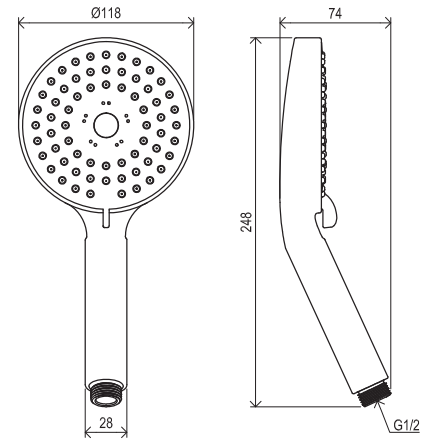


2-YEAR  
WARRANTY

# Showers and accessories



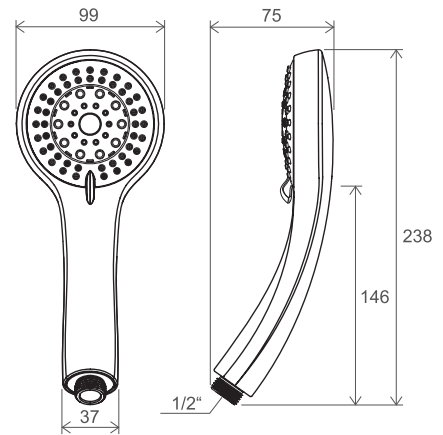
EASYCLEAN



Order No.	Type	Design	Flow rate	Size of packaging (cm)	Gross weight (kg)
<b>X07P009</b>	953.00CR Hand shower head, 3 functions	chrome	16/18/18	26x12,5x6	0,4

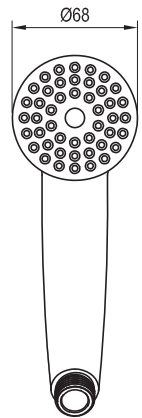
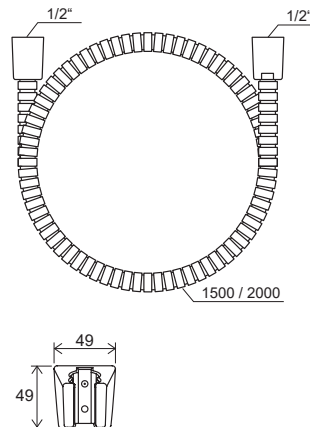


EASYCLEAN

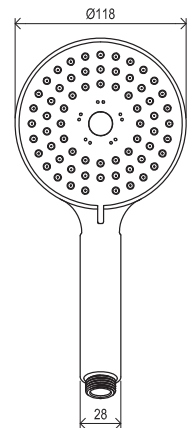
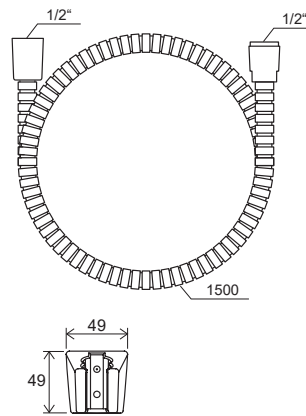
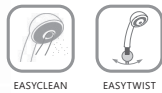


Order No.	Type	Design	Flow rate	Size of packaging (cm)	Gross weight (kg)
<b>X07P008</b>	952.00CR Hand shower head, 5 functions	chrome	12/16/16/14/14	23x12,5x6	0,3

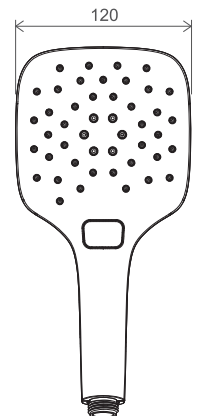
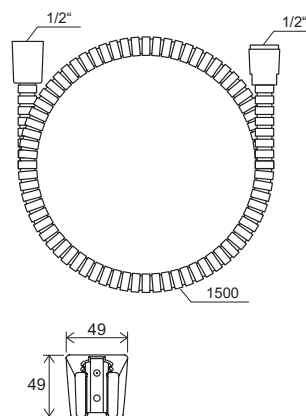
Flow rate values: 953 Jet/Rain/Soft Flow rate values: 952 Jet/Soft/Stream/Soft+Stream/Soft+Jet  
Flow rate is given in l/min at a pressure of 0.3 MPa. Products are delivered within 14 days as standard.



Order No.	Type	Design	Flow rate	Size of packaging (cm)	Gross weight (kg)
<b>X07P005</b>	901.00CR Bath set - hand shower head, hose, holder	chrome	17	25x10,5x8,5	0,4



Order No.	Type	Design	Flow rate	Size of packaging (cm)	Gross weight (kg)
<b>X07S006</b>	903.00CR Bath set - hand shower head, hose, holder	chrome	13/14/14	29x19x11,5	0,9



Order No.	Type	Design	Flow rate	Size of packaging (cm)	Gross weight (kg)
<b>X07S010</b>	907.00CR Bath set - hand shower head, hose, holder	chrome	6/9/11	29x19x11,5	0,9



RAVAK  
CLEANER  
CHROME



2-YEAR  
WARRANTY

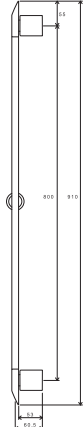
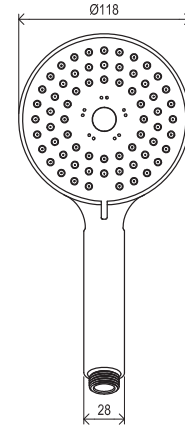
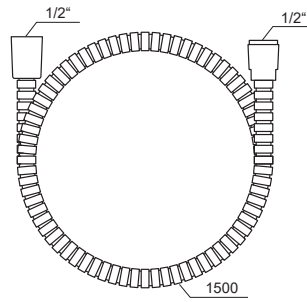
# Showers and accessories



EASYCLEAN



EASYTWIST



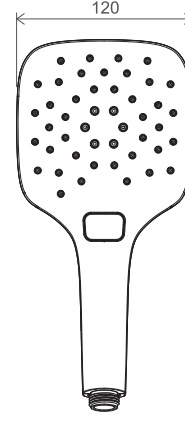
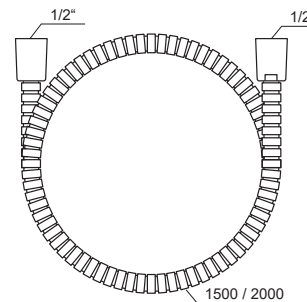
Order No.	Type	Design	Flow rate	Size of packaging (cm)	Gross weight (kg)
<b>X07P177</b>	902.00CR Shower set - hand shower head, bar, hose	chrome	13/14/14	70x20x8	1,3



EASYCLEAN



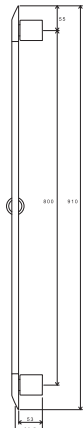
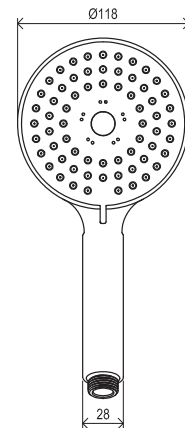
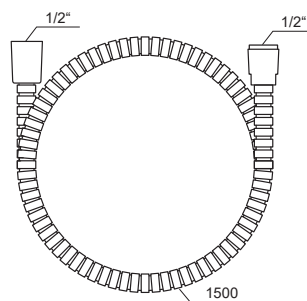
EASYTWIST



Order No.	Type	Design	Flow rate	Size of packaging (cm)	Gross weight (kg)
<b>X07S002</b>	921.00CR Shower set - hand shower head, bar, hose	chrome	6/9/10	93x19x11,5	1,7

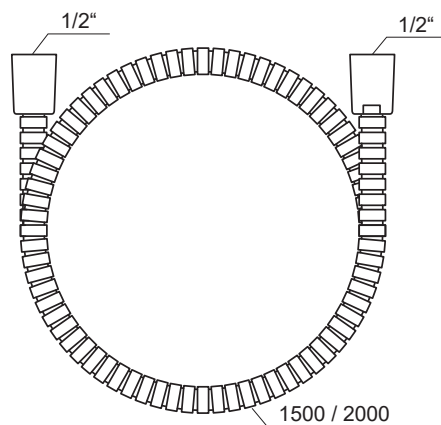


EASYCLEAN

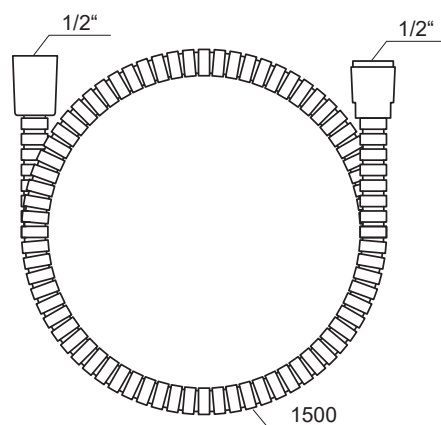


Order No.	Type	Design	Flow rate	Size of packaging (cm)	Gross weight (kg)
<b>X07S003</b>	922.00CR Shower set - hand shower head, bar, hose	chrome	13/14/14	93x19x11,5	1,5

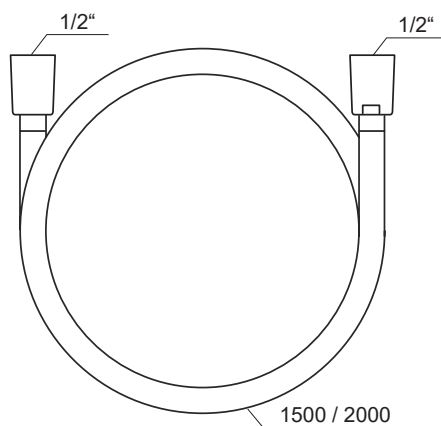
Complete product information and technical drawings of sets available at: [www.ravak.com](http://www.ravak.com)  
Flow rate is listed in l/min at a pressure of 0.3 MPa. Products are delivered within 14 days as standard.



Order No.	Type	Design	Size of packaging (cm)	Gross weight (kg)
<b>X07P006</b>	911.00CR Shower hose 150 cm	chrome	22x13x6,5	0,3



Order No.	Type	Design	Size of packaging (cm)	Gross weight (kg)
<b>X07P065</b>	912.50CR Shower hose 150 cm	chrome	23x18x4	0,3



Order No.	Type	Design	Size of packaging (cm)	Gross weight (kg)
<b>X07P338</b>	914.00CR Shower hose 150 cm	chrome	19x5,5x19	0,3
<b>X07P339</b>	914.02CR Shower hose 200 cm	chrome	19x5,5x19	0,4

Products are delivered within 14 days as standard.



RAVAK  
CLEANER  
CHROME

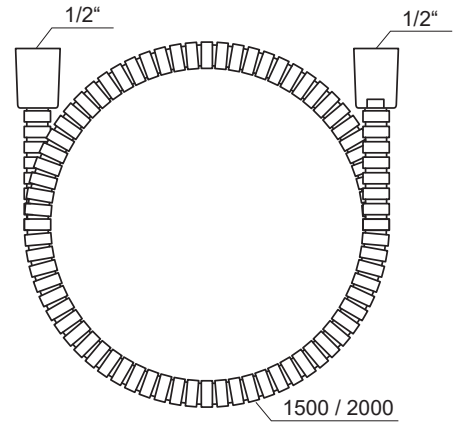


2-YEAR  
WARRANTY

# Showers and accessories



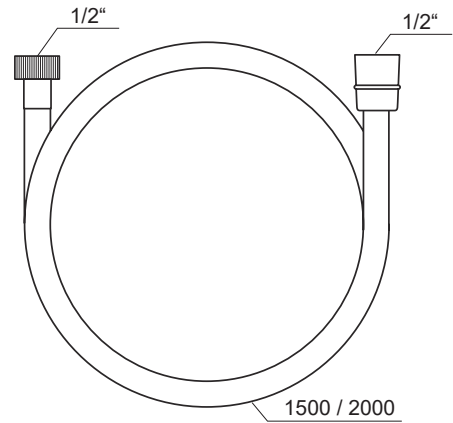
EASYTWIST



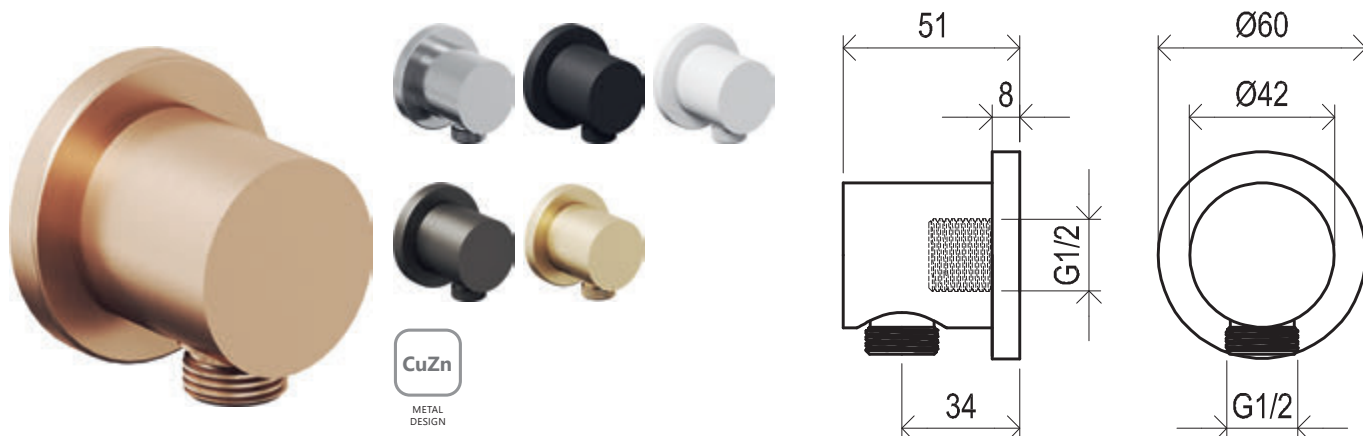
Order No.	Type	Design	Size of packaging (cm)	Gross weight (kg)
<b>X07P340</b>	915.00CR Shower hose 150 cm	chrome	19x5,5x19	0,4
<b>X07P341</b>	915.02CR Shower hose 200 cm	chrome	19x5,5x19	0,4



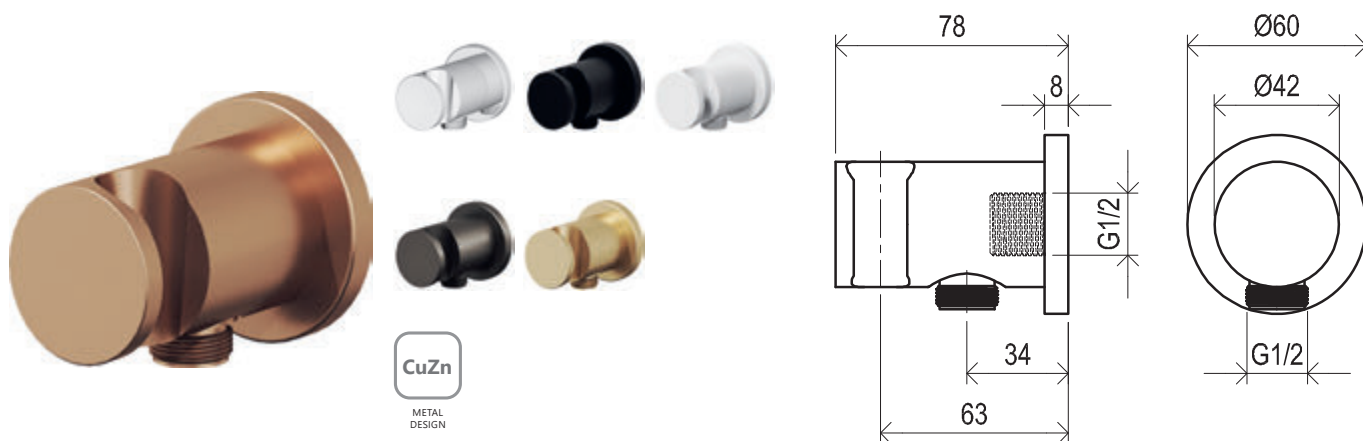
EASYTWIST



Order No.	Type	Design	Size of packaging (cm)	Gross weight (kg)
<b>X07P176</b>	913.00CR Shower hose 150 cm	chrome	19x5,5x19	0,4
<b>X07P337</b>	913.02CR Shower hose 200 cm	chrome	19x5,5x19	0,4
<b>X07P683</b>	913.12WV Shower hose 150 cm	White Velvet	27x24,4x3,5	0,4
<b>X07P568</b>	913.23BLM Shower hose 150 cm	matt black	18x4x23	0,4
<b>X07P671</b>	913.22BLM Shower hose 150 cm	Black Matt	27x24,4x3,5	0,4
<b>X07P695</b>	913.22GB Shower hose 150 cm	Graphite Brushed	27x24,4x3,5	0,4
<b>X07P707</b>	913.62RGB Shower hose 150 cm	Rose Gold Brushed	27x24,4x3,5	0,4
<b>X07P1245</b>	913.60GLB Shower hose 150 cm	Gold Brushed	27x24,4x0,35	0,4



Order No.	Type	Design	Size of packaging (cm)	Gross weight (kg)
<b>X07P004</b>	701.00CR Concealed outlet	chrome	8x5,5x7	0,4
<b>X07P685</b>	701.11WV Concealed outlet	White Velvet	8x5,5x7	0,4
<b>X07P673</b>	701.21BLM Concealed outlet	Black Matt	8x5,5x7	0,4
<b>X07P697</b>	701.21GB Concealed outlet	Graphite Brushed	8x5,5x7	0,4
<b>X07P709</b>	701.61RGB Concealed outlet	Rose Gold Brushed	8x5,5x7	0,4
<b>X07P1241</b>	701.60GLB Concealed outlet	Gold Brushed	10x4,5x37	0,4



Order No.	Type	Design	Size of packaging (cm)	Gross weight (kg)
<b>X07P206</b>	706.00CR Concealed outlet with shower holder	chrome	8x7x5,5	0,7
<b>X07P684</b>	706.10WV Concealed outlet with shower holder	White Velvet	8x7x5,5	0,5
<b>X07P572</b>	706.20BLM Concealed outlet with shower holder	matt black	8x7x5,5	0,6
<b>X07P672</b>	706.21BLM Concealed outlet with shower holder	Black Matt	8x7x5,5	0,5
<b>X07P696</b>	706.20GB Concealed outlet with shower holder	Graphite Brushed	8x7x5,5	0,5
<b>X07P708</b>	706.60RGB Concealed outlet with shower holder	Rose Gold Brushed	8x7x5,5	0,5
<b>X07P1244</b>	706.60GLB Concealed outlet with shower holder	Gold Brushed	7x5,5x8	0,6

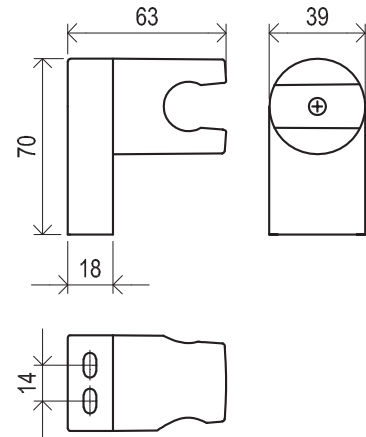
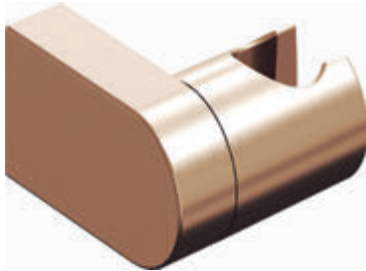


RAVAK  
CLEANER  
CHROME



2-YEAR  
WARRANTY

# Showers and accessories



Order No.	Type	Design	Size of packaging (cm)	Gross weight (kg)
<b>X07P011</b>	611.0OCR Shower holder, adjustable	chrome	7x5,5x8	0,1
<b>X07P686</b>	611.10WV Shower holder, adjustable	White Velvet	7x5,5x8	0,1
<b>X07P639</b>	611.20BLM Shower holder, adjustable	mat black	7x5,5x8	0,1
<b>X07P674</b>	611.20BLM Shower holder, adjustable	Black Matt	7x5,5x8	0,1
<b>X07P698</b>	611.20GB Shower holder, adjustable	Graphite Brushed	7x5,5x8	0,1
<b>X07P710</b>	611.6ORGB Shower holder, adjustable	Rose Gold Brushed	7x5,5x8	0,1
<b>X07P1240</b>	611.6OGLB Shower holder, adjustable	Gold Brushed	7x5,5x8	0,1



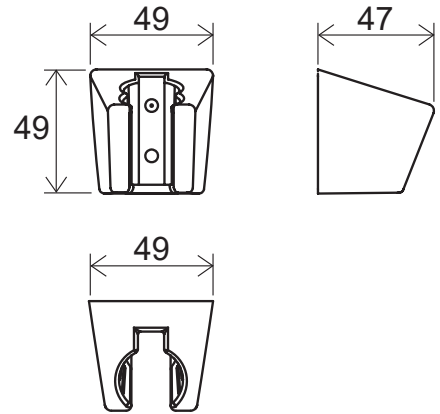


RAVAK  
CLEANER  
CHROME

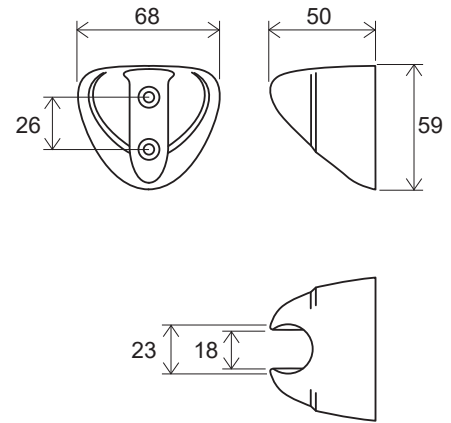


2-YEAR  
WARRANTY

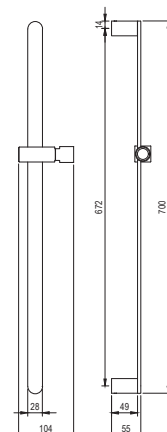
# Showers and accessories



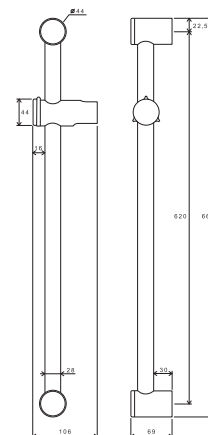
Order No.	Type	Design	Size of packaging (cm)	Gross weight (kg)
<b>X07P345</b>	612.00CR Shower holder, fixed	chrome	8x7x5,5	0,1
<b>X07P640</b>	612.20BLM Shower holder, plastic	matt black	8x7x5,5	0,1



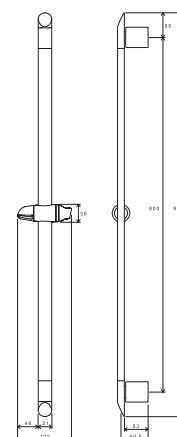
Order No.	Type	Design	Size of packaging (cm)	Gross weight (kg)
<b>X07P010</b>	610.00CR Shower holder, fixed	chrome	8x5,5x7	0,1



Order No.	Type	Design	Size of packaging (cm)	Gross weight (kg)
<b>X07P1247</b>	977.00CR Bar with sliding shower holder	chrome	72x15x9	1,7
<b>X07P1248</b>	977.20BLM Bar with sliding shower holder	matt black	72x15x9	1,7



Order No.	Type	Design	Size of packaging (cm)	Gross weight (kg)
<b>X07P012</b>	972.00CR Bar with sliding shower holder	chrome	69,5x12x5,5	0,5



Order No.	Type	Design	Size of packaging (cm)	Gross weight (kg)
<b>X07P014</b>	973.00CR Bar with sliding shower holder	chrome	91,5x10x5,5	0,7



# Bathroom accessories





METAL DESIGN



CONCEPTS  
A perfectly harmonious whole



SAFETY TEMPERED GLASS



### Tailor-made care

For the care of chrome accessories, we have developed a special cleaner – RAVAK Cleaner Chrome. It gently and effectively removes grease and deposits without damaging the surface.

### 5-year warranty

The range includes both modern and classic shapes, as well as all items needed to fully equip a shower enclosure or bathtub.

### Interconnected concepts

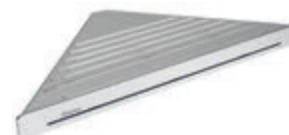
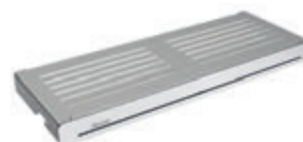
The Chrome range is coordinated with the Chrome concept, making selection easier.



10° accessories > 674



Chrome accessories > 680



Slim shelves > 688

**10°**



The timeless design of 10° accessories lends them an elegant appearance in every situation



Clean and simple design of matt glass in glossy chrome



Tempered safety glass

### Perfection to the last detail

The success of the whole lies in the details. To turn your bathroom into a comprehensive, functional, and aesthetically pleasing space, ensure harmony down to the last detail.

#### Don't miss it

- 1.** All accessories are mounted using two wall plugs and a robust brass mounting plate.
- 2.** All 10° accessories are made of metal and finished with a durable chrome plating.
- 3.** TD 200, 210, 220, 231 and 410 are fitted on the inside with a plastic ring so that the glass portion lands softly in place.
- 4.** The TD 500 glass shelf is made of tempered safety glass.
- 5.** The glass cups, soap holders, toilet brush, and shelf can be bought separately.

10° taps → 582

Washbasins → 388

Furniture → 458

Shower enclosures → 18

Bathtubs → 302



5-YEAR WARRANTY

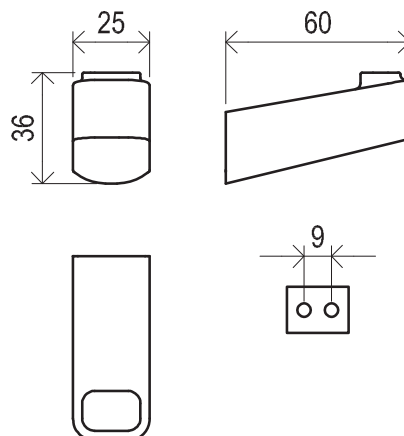


METAL DESIGN

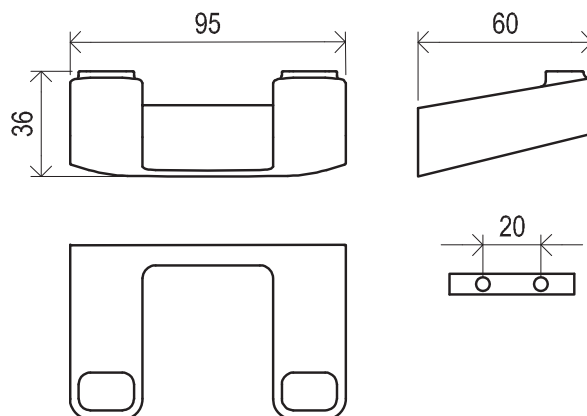


CONCEPTS

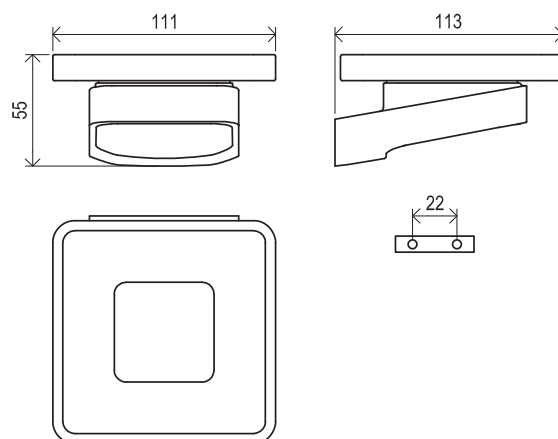
10°



Order No.	Type	Design	Size of packaging (cm)	Gross weight (kg)
<b>X07P353</b>	TD 110.00CR Single hook	chrome	8x3,5x11	0,1
<b>X07P555</b>	TD 110.20BLM Single hook	matt black	8x3,5x11	0,2

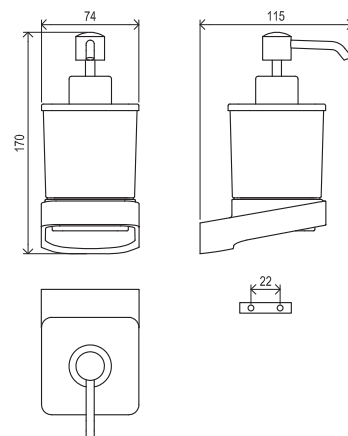


Order No.	Type	Design	Size of packaging (cm)	Gross weight (kg)
<b>X07P352</b>	TD 100.00CR Double hook	chrome	11x4,5x16	0,2
<b>X07P554</b>	TD 100.20BLM Double hook	matt black	11x4,5x16	0,2

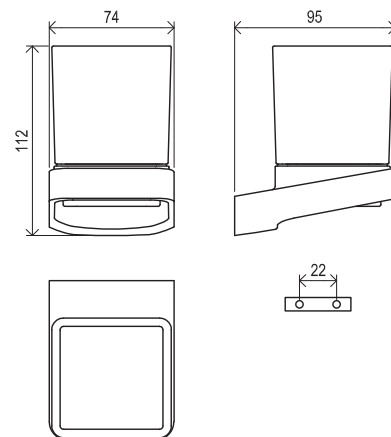


Order No.	Type	Design	Size of packaging (cm)	Gross weight (kg)
<b>X07P354</b>	TD 200.00CR Wall-mounted soap dish	chrome	15x13x9	0,7
<b>X07P556</b>	TD 200.20BLM Wall-mounted soap dish	matt black	15x13x9	0,7

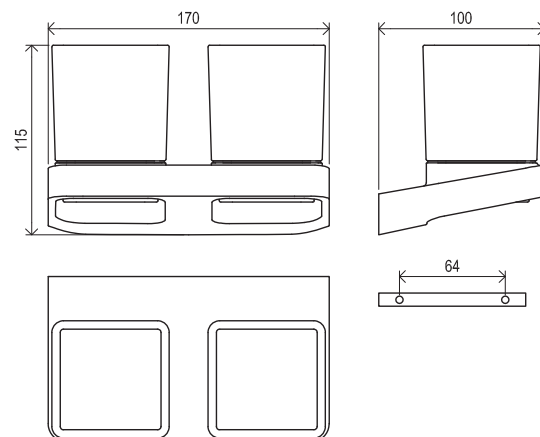
Products are delivered within 14 days as standard.



Order No.	Type	Design	Size of packaging (cm)	Gross weight (kg)
<b>X07P323</b>	TD 231.00CR Wall-mounted soap dispenser	chrome	19x15x8	1,0
<b>X07P559</b>	TD 231.20BLM Wall-mounted soap dispenser	matt black	19x15x8	1,0



Order No.	Type	Design	Size of packaging (cm)	Gross weight (kg)
<b>X07P321</b>	TD 210.00CR Wall-mounted glass tumbler	chrome	15x13x9	0,8
<b>X07P557</b>	TD 210.20BLM Wall-mounted glass tumbler	matt black	15x13x9	0,8



Order No.	Type	Design	Size of packaging (cm)	Gross weight (kg)
<b>X07P322</b>	TD 220.00CR Wall-mounted double glass tumbler	chrome	23x13x11	1,8
<b>X07P558</b>	TD 220.20BLM Wall-mounted double glass tumbler	matt black	23x13x11	1,8

Products are delivered within 14 days as standard.



5-YEAR WARRANTY

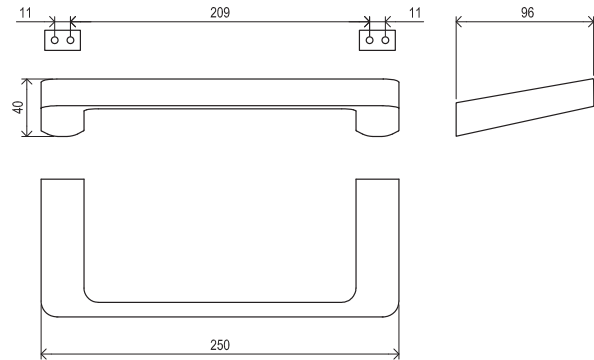
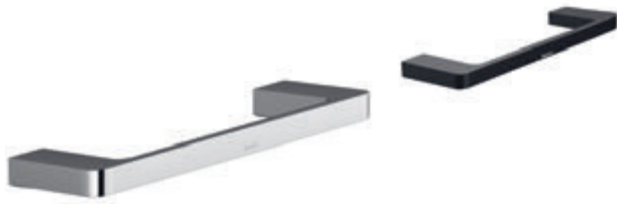


METAL DESIGN

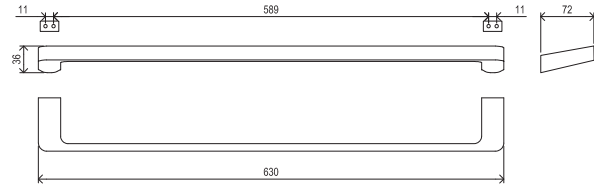


CONCEPTS

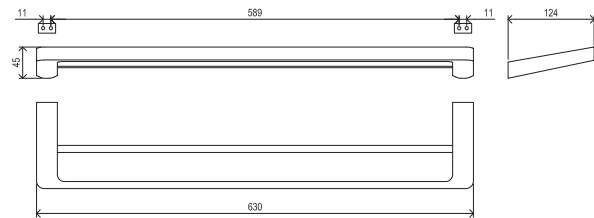
10°



Order No.	Type	Design	Size of packaging (cm)	Gross weight (kg)
<b>X07P324</b>	TD 300.00CR Single towel rail 25 cm	chrome	11x4,5x26	0,6
<b>X07P560</b>	TD 300.20BLM Single towel rail 25 cm	matt black	11x4,5x26	0,6

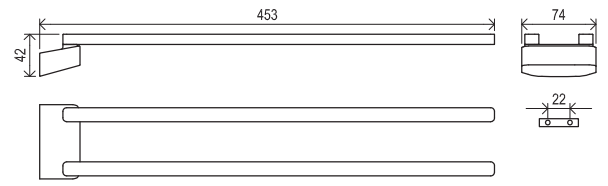


Order No.	Type	Design	Size of packaging (cm)	Gross weight (kg)
<b>X07P325</b>	TD 310.00CR Single towel rail 63 cm	chrome	8,5x4,5x64	0,7
<b>X07P561</b>	TD 310.20BLM Single towel rail 63 cm	matt black	8,5x4,5x64	0,7

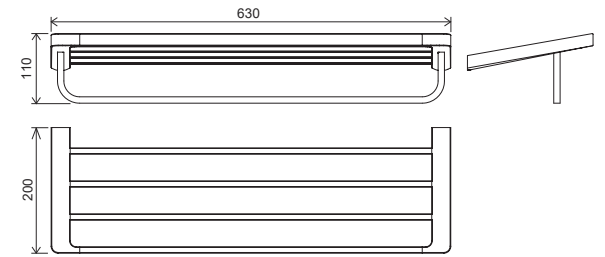


Order No.	Type	Design	Size of packaging (cm)	Gross weight (kg)
<b>X07P326</b>	TD 320.00CR Double towel rail 63 cm	chrome	14x4,5x64	1,2
<b>X07P562</b>	TD 320.20BLM Double towel rail 63 cm	matt black	14x4,5x64	1,2

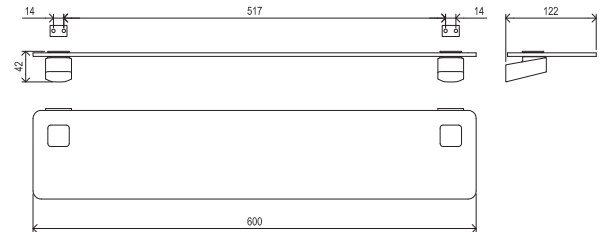
Products are delivered within 14 days as standard.



Order No.	Type	Design	Size of packaging (cm)	Gross weight (kg)
<b>X07P328</b>	TD 340.00CR Swivel towel rail	chrome	8,5x4,5x46	0,7
<b>X07P564</b>	TD 340.20BLM Swivel towel rail	matt black	8,5x4,5x46	0,7



Order No.	Type	Design	Size of packaging (cm)	Gross weight (kg)
<b>X07P327</b>	TD 330.00CR Towel rack	chrome	21x11x64	2,4
<b>X07P563</b>	TD 330.20BLM Towel rack	matt black	21x11x64	2,4



Order No.	Type	Design	Size of packaging (cm)	Gross weight (kg)
<b>X07P332</b>	TD 500.00CR Glass shelf	chrome	14x9,5x64	1,9
<b>X07P567</b>	TD 500.20BLM Glass shelf	matt black	14x9,5x64	2,0

Products are delivered within 14 days as standard.

**5**

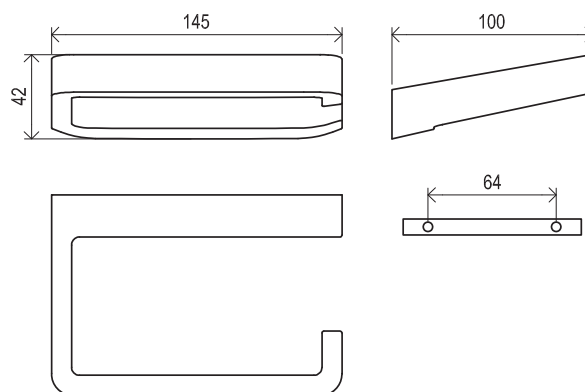
5-YEAR WARRANTY

**Zn**

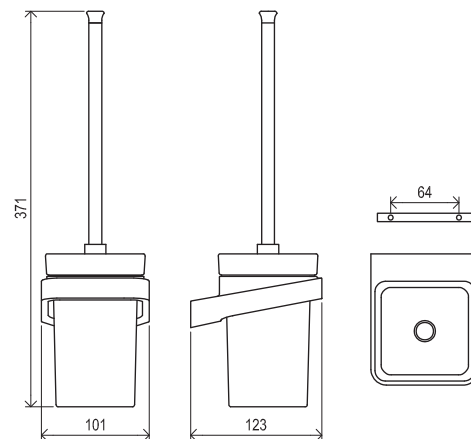
METAL DESIGN



CONCEPTS

**10°**

Order No.	Type	Design	Size of packaging (cm)	Gross weight (kg)
<b>X07P329</b>	TD 400.00CR Wall-mounted toilet paper holder	chrome	11x4,5x16	0,5
<b>X07P565</b>	TD 400.20BLM Wall-mounted toilet paper holder	matt black	11x4,5x16	0,5



Order No.	Type	Design	Size of packaging (cm)	Gross weight (kg)
<b>X07P330</b>	TD 410.00CR Wall-mounted toilet brush with container	chrome	39x13x13	1,8
<b>X07P566</b>	TD 410.20BLM Wall-mounted toilet brush with container	matt black	39x12x12	1,8

# Chrome



Always elegant, yet never overdecorated



Can be installed as either right- or left-handed



Tempered safety glass

## Perfection to the last detail

The success of the whole lies in the details. To turn your bathroom into a comprehensive, functional, and aesthetically pleasing space, ensure harmony down to the last detail.

### Don't miss it

- 1.** All accessories are mounted using two wall plugs and a metal mounting plate.
- 2.** All Chrome accessories are made of high-quality brass and finished with a durable chrome plating.
- 3.** CR 200, 210, and 410 can be flipped from right-hand to left-hand (and vice versa) by rotating the product and turning the oval cover plate.
- 4.** CR 200, 210, 220, 231 and 410 are fitted on the inside with a plastic ring so that the glass portion lands softly in place.
- 5.** The glass cups, soap holders, toilet brush, and shelf can be bought separately.

Chrome taps → 596

Washbasins → 426

Furniture → 484

Shower enclosures → 88

Bathtubs → 334



WARRANTY ON BATHROOM ACCESSORIES



RAVAK CLEANER CHROME

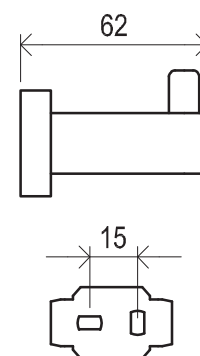
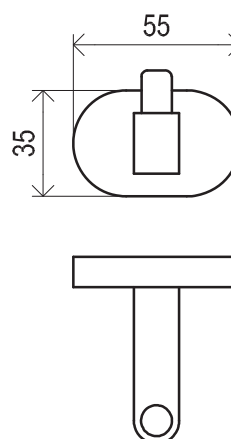


METAL DESIGN

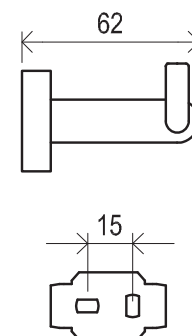
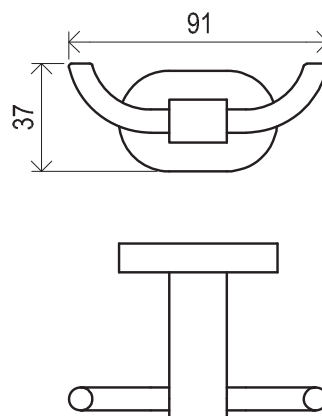


CONCEPTS

# Chrome



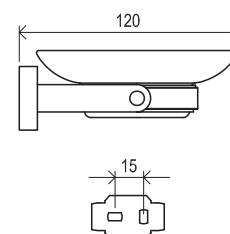
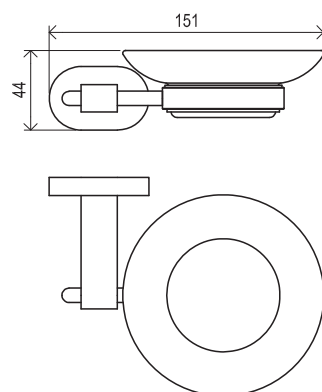
Order No.	Type	Design	Size of packaging (cm)	Gross weight (kg)
<b>X07P320</b>	CR 110.00CR Single hook	chrome	7x5,5x8	0,2



Order No.	Type	Design	Size of packaging (cm)	Gross weight (kg)
<b>X07P186</b>	CR 100.00CR Double hook	chrome	11x11x6	0,3

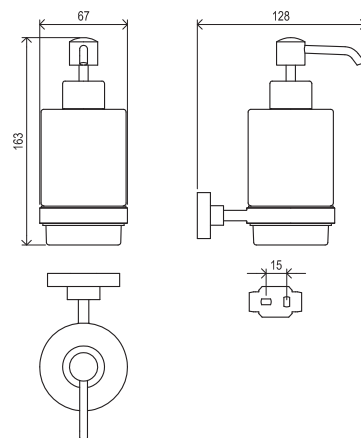


L/R OPTION

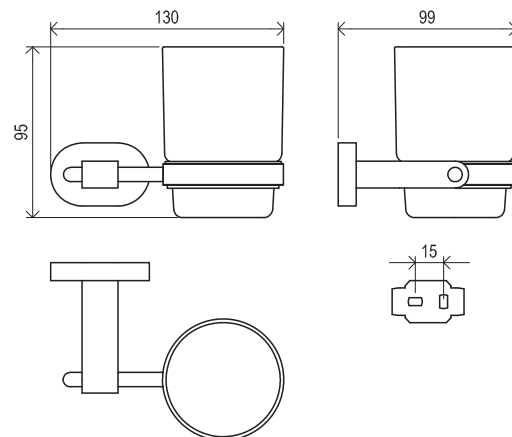


Order No.	Type	Design	Size of packaging (cm)	Gross weight (kg)
<b>X07P187</b>	CR 200.00CR Wall-mounted soap dish	chrome	15x13x9	0,6

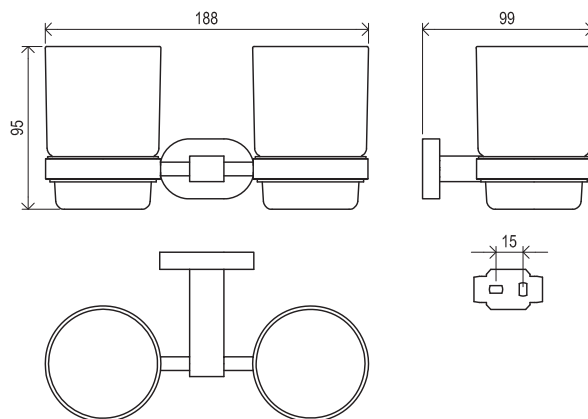
Products are delivered within 14 days as standard.



Order No.	Type	Design	Size of packaging (cm)	Gross weight (kg)
<b>X07P223</b>	CR 231.00CR Wall-mounted soap dispenser	chrome	23x15x9	0,7



Order No.	Type	Design	Size of packaging (cm)	Gross weight (kg)
<b>X07P188</b>	CR 210.00CR Wall-mounted glass tumbler	chrome	15x13x9	0,6



Order No.	Type	Design	Size of packaging (cm)	Gross weight (kg)
<b>X07P189</b>	CR 220.00CR Wall-mounted double glass tumbler	chrome	23x15x9	0,9



WARRANTY ON BATHROOM ACCESSORIES



RAVAK CLEANER CHROME

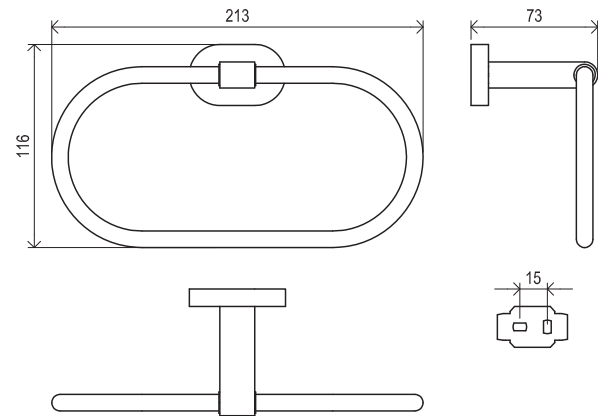


METAL DESIGN

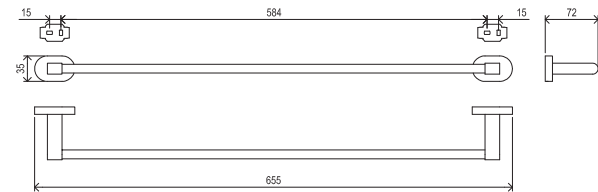


CONCEPTS

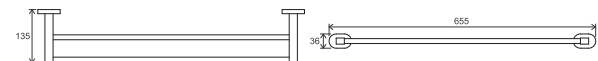
# Chrome



Order No.	Type	Design	Size of packaging (cm)	Gross weight (kg)
<b>X07P190</b>	CR 300.00CR Towel ring	chrome	23x15x9	0,5

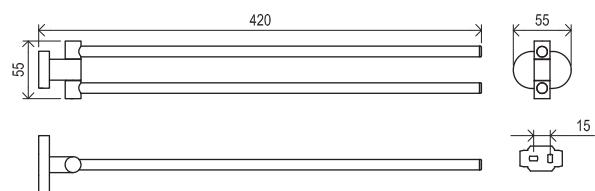


Order No.	Type	Design	Size of packaging (cm)	Gross weight (kg)
<b>X07P192</b>	CR 310.00CR Single towel rail 66 cm	chrome	68x8x6,5	0,7

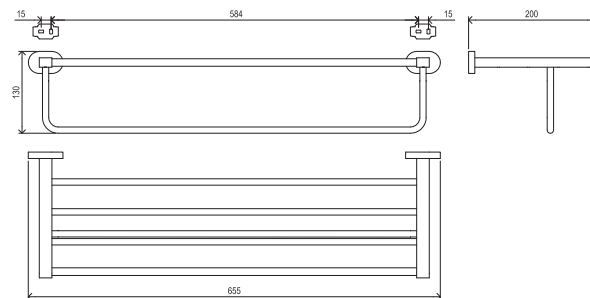


Order No.	Type	Design	Size of packaging (cm)	Gross weight (kg)
<b>X07P193</b>	CR 320.00CR Double towel rail 66 cm	chrome	69,5x15x6,5	1,2

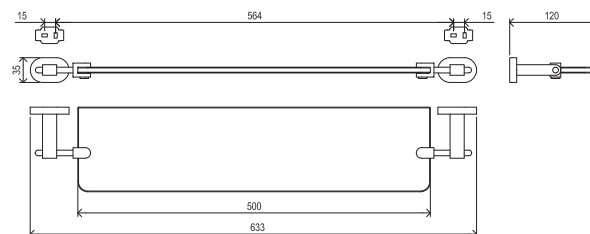
Products are delivered within 14 days as standard.



Order No.	Type	Design	Size of packaging (cm)	Gross weight (kg)
<b>X07P319</b>	CR 340.00CR Swivel towel rail	chrome	7x7x45	0,4



Order No.	Type	Design	Size of packaging (cm)	Gross weight (kg)
<b>X07P194</b>	CR 330.00CR Towel rack	chrome	68x23x14	2,2



Order No.	Type	Design	Size of packaging (cm)	Gross weight (kg)
<b>X07P195</b>	CR 500.00CR Glass shelf	chrome	54x14x10	2,1

5

WARRANTY ON  
BATHROOM  
ACCESSORIES



RAVAK  
CLEANER  
CHROME

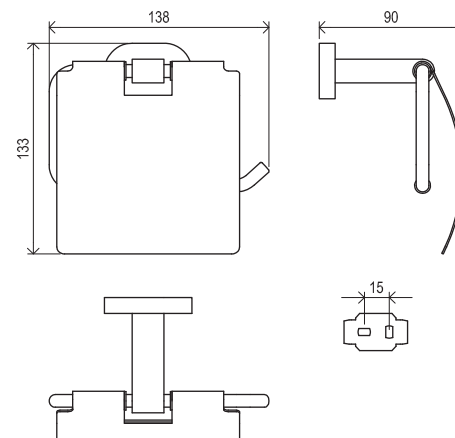
CuZn

METAL  
DESIGN

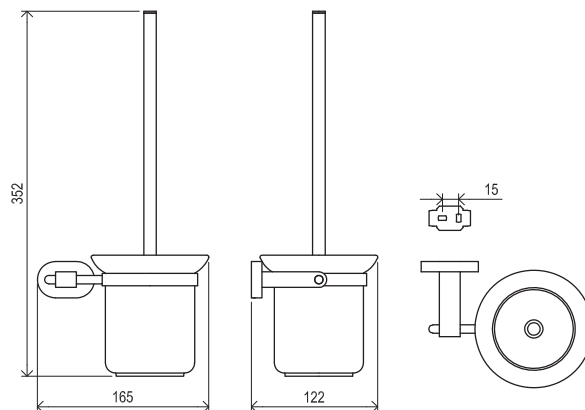


CONCEPTS

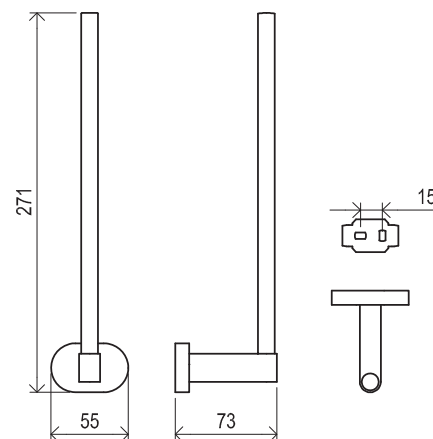
# Chrome



Order No.	Type	Design	Size of packaging (cm)	Gross weight (kg)
<b>X07P191</b>	CR 400.00CR Wall-mounted toilet paper holder	chrome	16x15x9	0,6

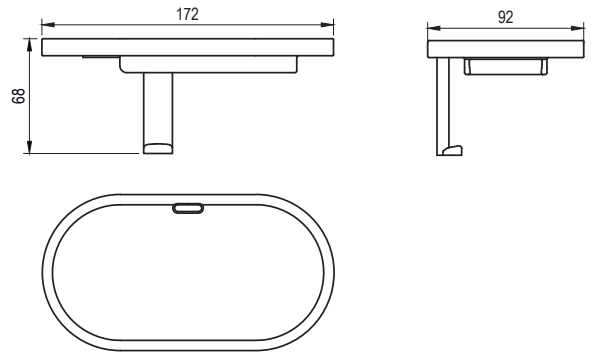


Order No.	Type	Design	Size of packaging (cm)	Gross weight (kg)
<b>X07P196</b>	CR 410.00CR Wall-mounted toilet brush with container	chrome	39x13x13	1,1



Order No.	Type	Design	Size of packaging (cm)	Gross weight (kg)
<b>X07P318</b>	CR 420.00CR Toilet paper holder	chrome	8x6,5x29	0,3

Products are delivered within 14 days as standard.



Order No.	Type	Design	Size of packaging (cm)	Gross weight (kg)
<b>X07P1237</b>	Shelf for Chrome II bathtub and shower tap	translucent white	19x10x7,5	0,2

5

WARRANTY ON  
BATHROOM  
ACCESSORIES



RAVAK  
CLEANER  
CHROME

CuZn

METAL  
DESIGN



CONCEPTS

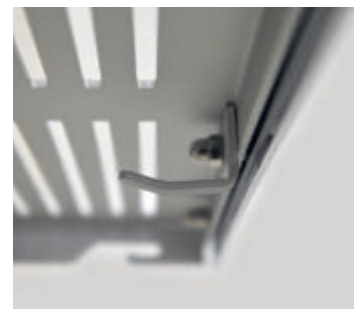
# Chrome



# Slim shelves



High-quality surface finish - anodized aluminium



Practical hooks underneath for hanging items



Versatile use and opportunities for combining

## Elegant and practical shelf space

The shelves are perforated to prevent water from remaining on the surface, while their flat design ensures stability even for smaller items.

### Don't miss it

1. Designed for use in a shower enclosure, next to a bathtub or washbasin.
2. Installation using wall plugs and screws.

Taps → 538

Washbasins → 18

Furniture → 458

Shower enclosures → 672

Bathtubs → 302

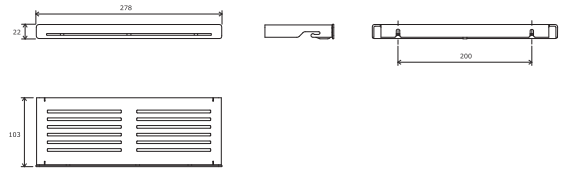
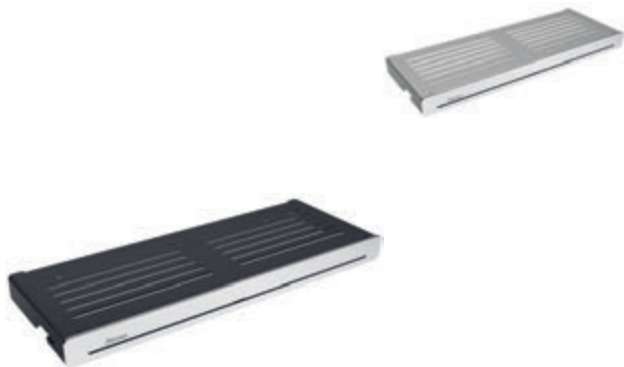
5

5-YEAR WARRANTY

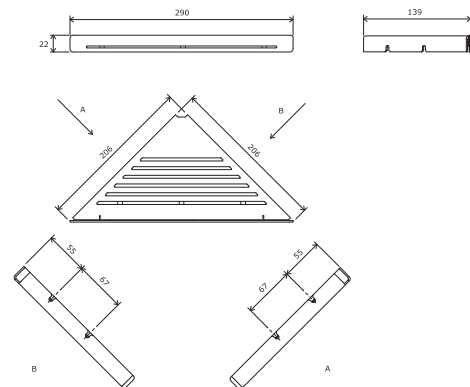


RAVAK  
CLEANER  
CHROME

# Slim shelves



Order No.	Type	Design	Size of packaging (cm)	Gross weight (kg)
<b>X07P575</b>	Slim S shelf	black/chrome	29x11x4	0,4
<b>X07P577</b>	Slim S shelf	satın/chrome	29x11x4	0,4

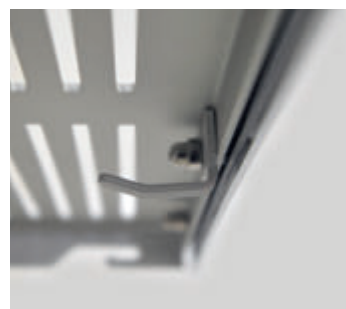


Order No.	Type	Design	Size of packaging (cm)	Gross weight (kg)
<b>X07P576</b>	Slim C shelf	black/chrome	30x15x4	0,4
<b>X07P578</b>	Slim C shelf	satın/chrome	30x15x4	0,4

# Slim shelves



High-quality surface finish - anodized aluminium



Practical hooks underneath for hanging items



Versatile use and opportunities for combining

## Elegant and practical shelf space

The shelves are perforated to prevent water from remaining on the surface, while their flat design ensures stability even for smaller items.

### Don't miss it

1. Designed for use in a shower enclosure, next to a bathtub or washbasin.
2. Installation using wall plugs and screws.

Taps → 538

Washbasins → 18

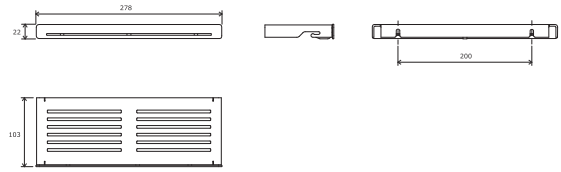
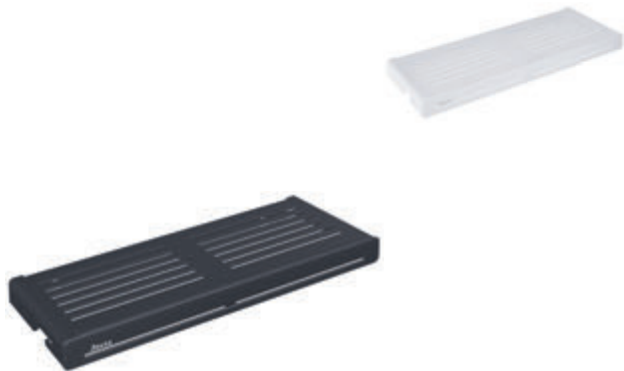
Furniture → 458

Shower enclosures → 672

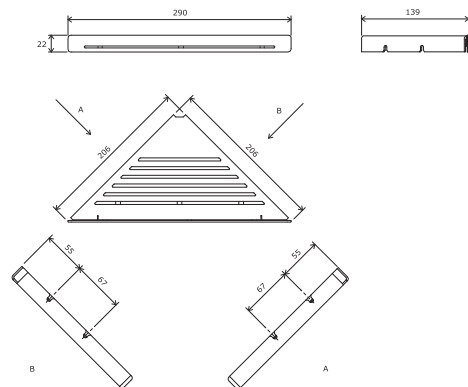
Bathtubs → 302

**5**5-YEAR  
WARRANTYRAVAK  
CLEANER  
CHROME

# Slim shelves



Order No.	Type	Design	Size of packaging (cm)	Gross weight (kg)
<b>X07P649</b>	Slim S shelf	black/black	29x11x4	0,4
<b>X07P651</b>	Slim S shelf	white/white	29x11x4	0,4



Order No.	Type	Design	Size of packaging (cm)	Gross weight (kg)
<b>X07P650</b>	Slim C shelf	black/black	30x15x4	0,4
<b>X07P652</b>	Slim C shelf	white/white	30x15x4	0,4

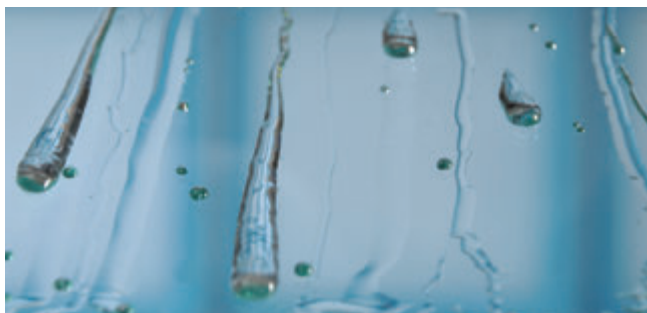
# RAVAK® RAVAK AntiCalc® technology

The best service comes directly from the manufacturer

## An invisible shield against dirt and deposits on the glass

All water except for rainwater and distilled water contains a certain amount of salts. Their deposits, known as limescale, are extremely difficult to remove. They form a chemical bond with the glass and give it an unsightly tint over time. Common chemical cleaning products are entirely ineffective against the limescale.

Only the patented RAVAK AntiCalc® technology can reliably protect glass from these permanent stains. All RAVAK shower enclosures and screen glass panes are treated with RAVAK AntiCalc® during production.



Glass treated with RAVAK AntiCalc® - water is repelled and runs down the glass.

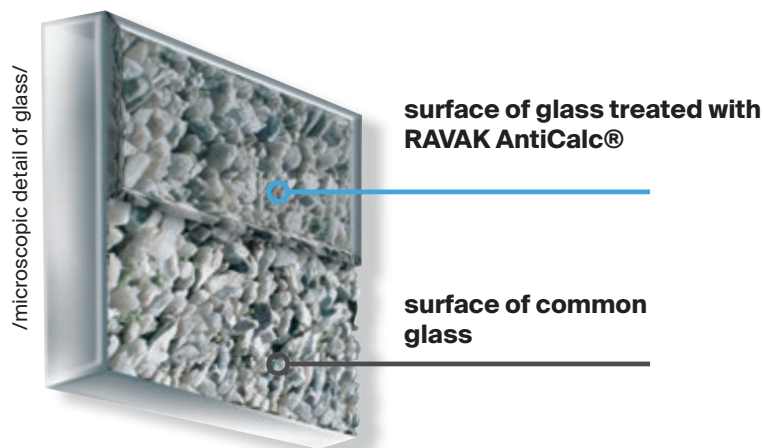


Effects of water on glass without the use of RAVAK AntiCalc®.

## How to use RAVAK AntiCalc Conditioner?

First, clean the entire glass panel with a detergent (RAVAK Cleaner). Once the glass panel is absolutely clean and dry, use a dry cloth to apply the RAVAK AntiCalc Conditioner on the inside of the panel and polish it dry.

The glass will regain its water-repelling properties and will require only standard maintenance with degreasing detergents for the next 3 months (depending on the hardness of the water).





**RAVAK Cleaner**  
Effectively cleans the entire bathroom

- Perfectly removes grease and water deposit residue.
  - Recommended for acrylic bathtubs, shower trays, shower enclosure panels, but also for taps, bathroom furniture and ceramic tiles.
- Order no. X01101

,-



**RAVAK Cleaner Chrome**  
For taps

- Special detergent for removing grease and scale deposits from chrome-plated surfaces of taps, tap accessories and chrome-plated surfaces of shower enclosures.
- Order no. X01106

,-



**RAVAK AntiCalc Conditioner**  
Household helper in the fight against limescale

- You can restore the water-repellent qualities of our technology even at home.
  - We provide a 10-year warranty on the perfect functioning of the RAVAK AntiCalc® agent if it is regularly and properly reapplied with the RAVAK AntiCalc® Conditioner.
- Order no. B32000000N

,-



**RAVAK Turbo Cleaner**  
Effectively cleans drain pipes

- A highly effective product designed to dissolve the toughest dirt and deposits in the waste traps of bathtubs, shower trays, and washbasins.
  - Do not use for cleaning products, especially their metal parts!
- Order no. X01105

,-



**Professional and durable RAVAK lubricant**  
Invisible help for smoother movement

- Use on slides and hinges of shower enclosures, doors and screens, cartridges, movable parts of taps, door locks and handles.
  - Water-resistant and highly effective even in small amounts.
- Order no. X01104

,-





**RAVAK®**

**RAVAK a. s.**  
Obecnická 285, 261 01  
Příbram 1

The manufacturer reserves the right to make technical changes to individual products, changes to the appearance and packaging of the product, price adjustments and is not responsible for any printing errors.